



US00D458177S

(12) **United States Design Patent**
Spiller

(10) **Patent No.:** **US D458,177 S**

(45) **Date of Patent:** **** Jun. 4, 2002**

(54) **PARKING STALL BUMPER WITH
REMOVABLE COVER**

(75) **Inventor:** **David V. Spiller**, Sherman Oaks, CA
(US)

(73) **Assignee:** **Nusign Industries LLC**, Encino, CA
(US)

(**) **Term:** **14 Years**

(21) **Appl. No.:** **29/137,527**

(22) **Filed:** **Feb. 22, 2001**

(51) **LOC (7) Cl.** **10-05**

(52) **U.S. Cl.** **D10/113**

(58) **Field of Search** D10/109, 111,
D10/113, 114, 121; 404/6-16

(56) **References Cited**

U.S. PATENT DOCUMENTS

198,651 A	12/1877	McMullen
1,065,231 A	6/1913	Finger
2,920,184 A	1/1960	Kessler
3,590,959 A	7/1971	Ferketich
3,636,829 A	1/1972	Palmer
3,663,808 A	5/1972	Baatz
3,918,187 A	11/1975	Vogele
4,068,968 A	1/1978	Gagle et al.
4,142,814 A	3/1979	Sanchez
4,348,133 A	9/1982	Trent et al.
4,762,438 A	8/1988	Dewing
4,813,811 A	3/1989	Adams

5,208,585 A	5/1993	Sprague	
D351,422 S	10/1994	Morris	
5,639,179 A	6/1997	Jensen	
D393,320 S	4/1998	Sinclair	
5,772,357 A	6/1998	Evans	
D418,167 S	12/1999	Stutsman	
D420,928 S	2/2000	Spiller	
D425,440 S	* 5/2000	Franklin D10/113
D431,488 S	* 10/2000	Jonasy D10/113

FOREIGN PATENT DOCUMENTS

WO WO 98/39516 11/1998

* cited by examiner

Primary Examiner—Marcus A. Jackson

(74) *Attorney, Agent, or Firm*—Knobbe, Martens, Olsen & Bear LLP

(57) **CLAIM**

The ornamental design for a parking stall bumper with removable cover, as shown and described.

DESCRIPTION

FIG. 1 is a perspective view showing the top, front and side of a parking stall bumper with removable cover embodying the new design.

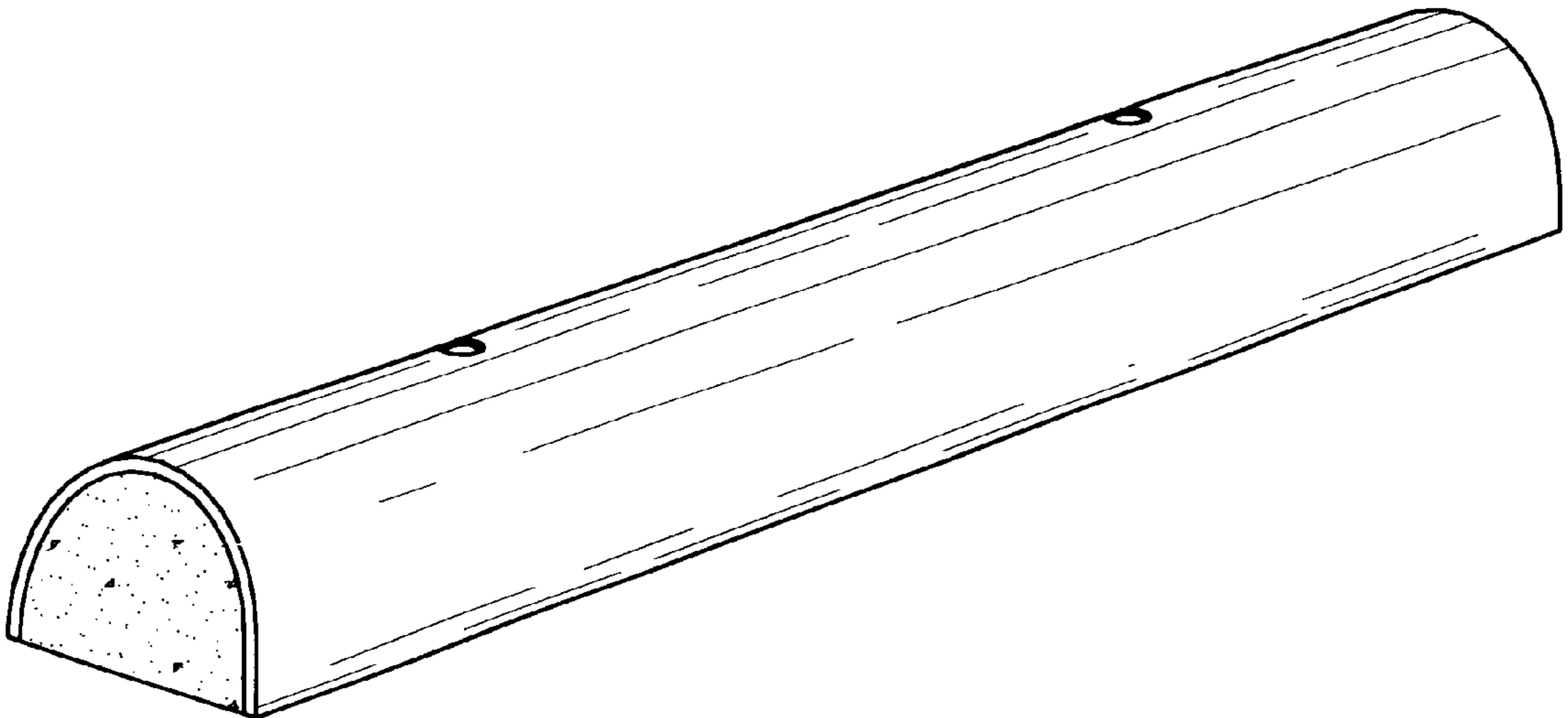
FIG. 2 is a side elevational view thereof;

FIG. 3 is a front elevational view thereof;

FIG. 4 is a top plan view thereof; and,

FIG. 5 is a bottom plan view thereof.

1 Claim, 1 Drawing Sheet



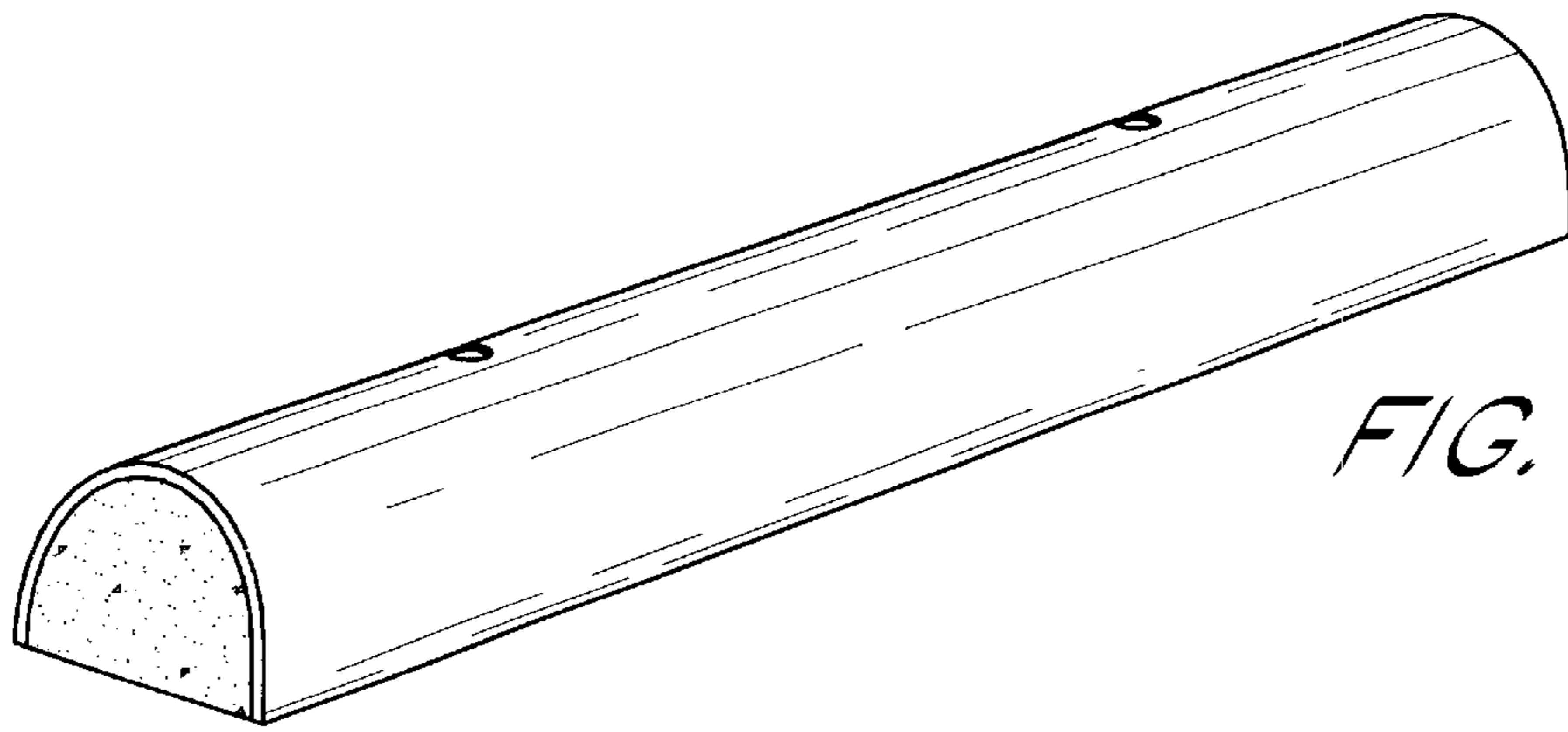


FIG. 1

FIG. 2

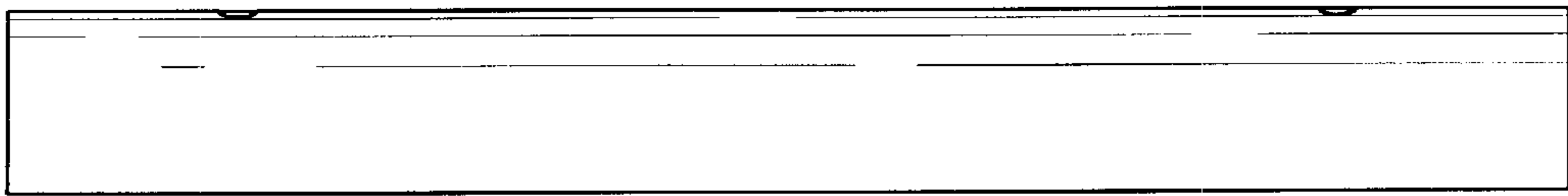
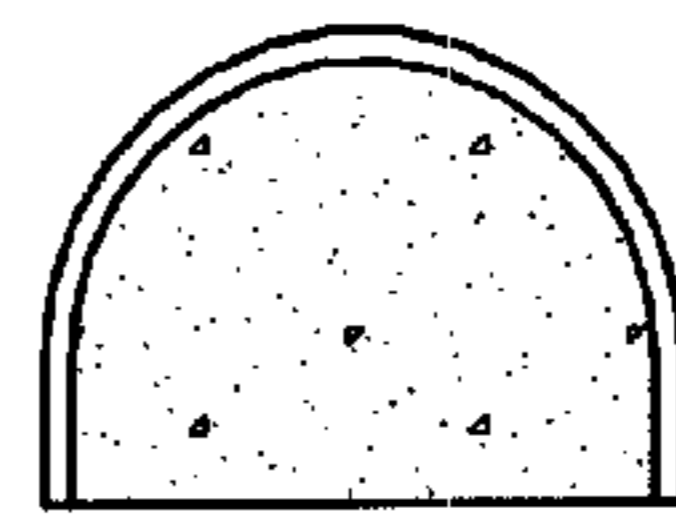


FIG. 3

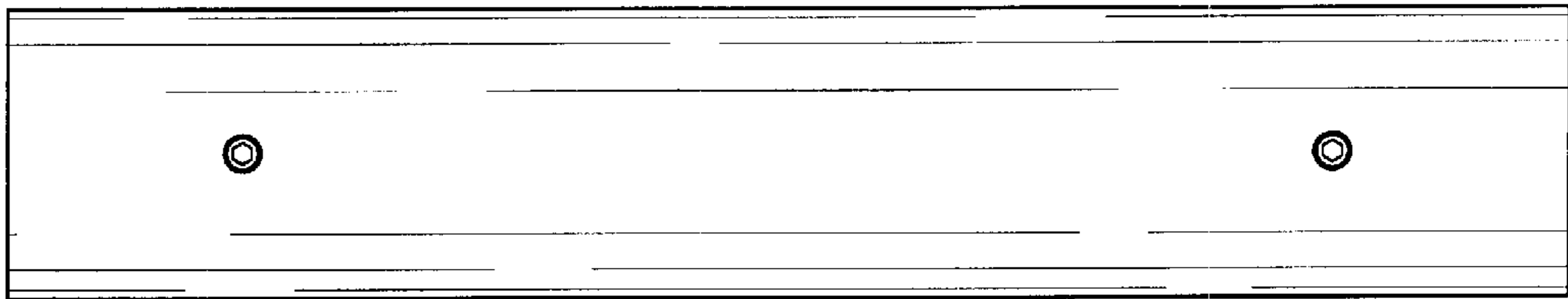


FIG. 4

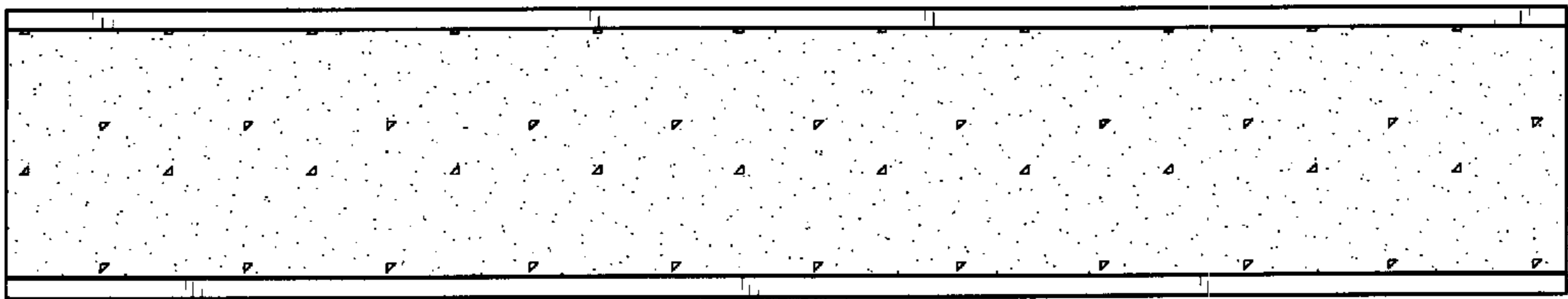


FIG. 5