



US00D458171S

(12) **United States Design Patent**  
**Lin**

(10) **Patent No.:** **US D458,171 S**

(45) **Date of Patent:** **\*\* Jun. 4, 2002**

(54) **RACKET COUNTER**

(75) Inventor: **Wen-Sen Lin**, Taichung (TW)

(73) Assignee: **Topteam Technology Taiwan Lts.**,  
Taichung (TW)

(\*\*) Term: **14 Years**

(21) Appl. No.: **29/144,856**

(22) Filed: **Jul. 10, 2001**

(51) **LOC (7) Cl.** ..... **10-04**

(52) **U.S. Cl.** ..... **D10/97**

(58) **Field of Search** ..... D10/97; 368/10,  
368/107; 473/516, 463, 553; 73/570

(56) **References Cited**

**U.S. PATENT DOCUMENTS**

5,646,911 A *	7/1997	Davis	.....	368/10
6,134,965 A *	10/2000	Somville	.....	73/570
6,270,434 B1 *	8/2001	Shaw	.....	473/553

\* cited by examiner

*Primary Examiner*—Antoine Duval Davis

(74) *Attorney, Agent, or Firm*—David A. Belasco; Beehler & Pavitt

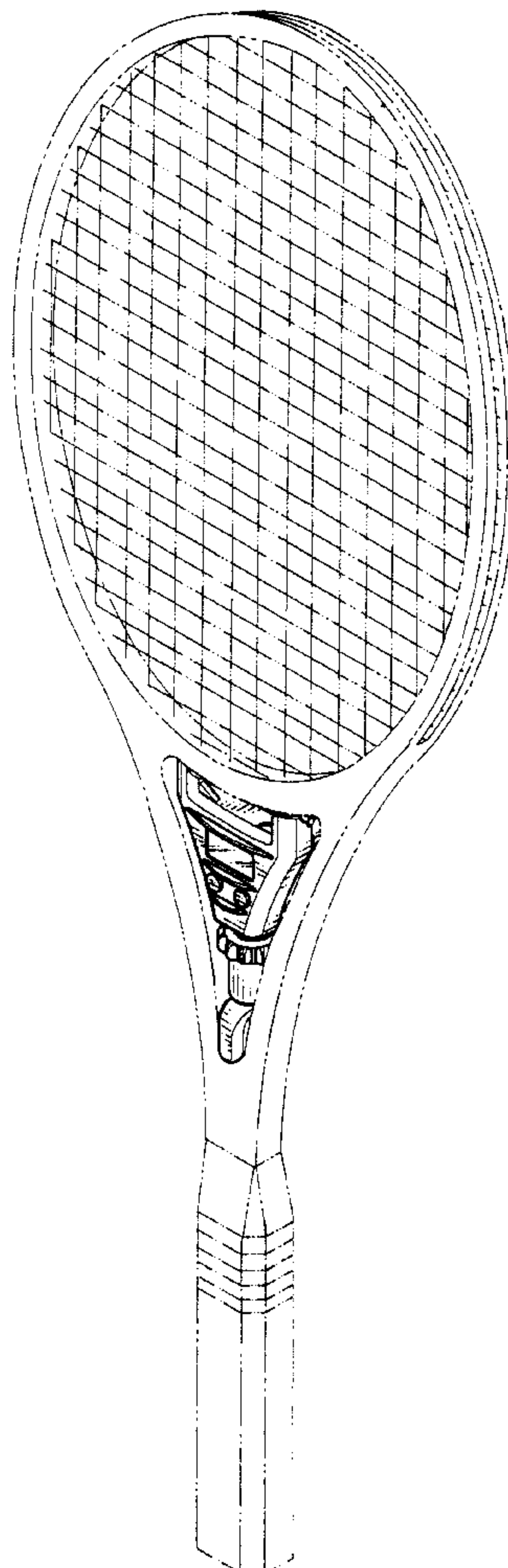
(57) **CLAIM**

The ornamental design for a racket counter, as shown.

**DESCRIPTION**

FIG. 1 is a perspective view of a racket counter showing my new design;  
 FIG. 2 is a rear elevational view thereof;  
 FIG. 3 is a rear elevational view thereof;  
 FIG. 4 is a left side view thereof;  
 FIG. 5 is a right side view thereof;  
 FIG. 6 is a top plain view thereof; and  
 FIG. 7 is a bottom plain view thereof; and,  
 FIG. 8 is a perspective view of an embodiment of the racket counter adapted to a tennis racket.  
 The broken line showing is for illustrative purposes only and forms no part of the claimed design.

**1 Claim, 5 Drawing Sheets**



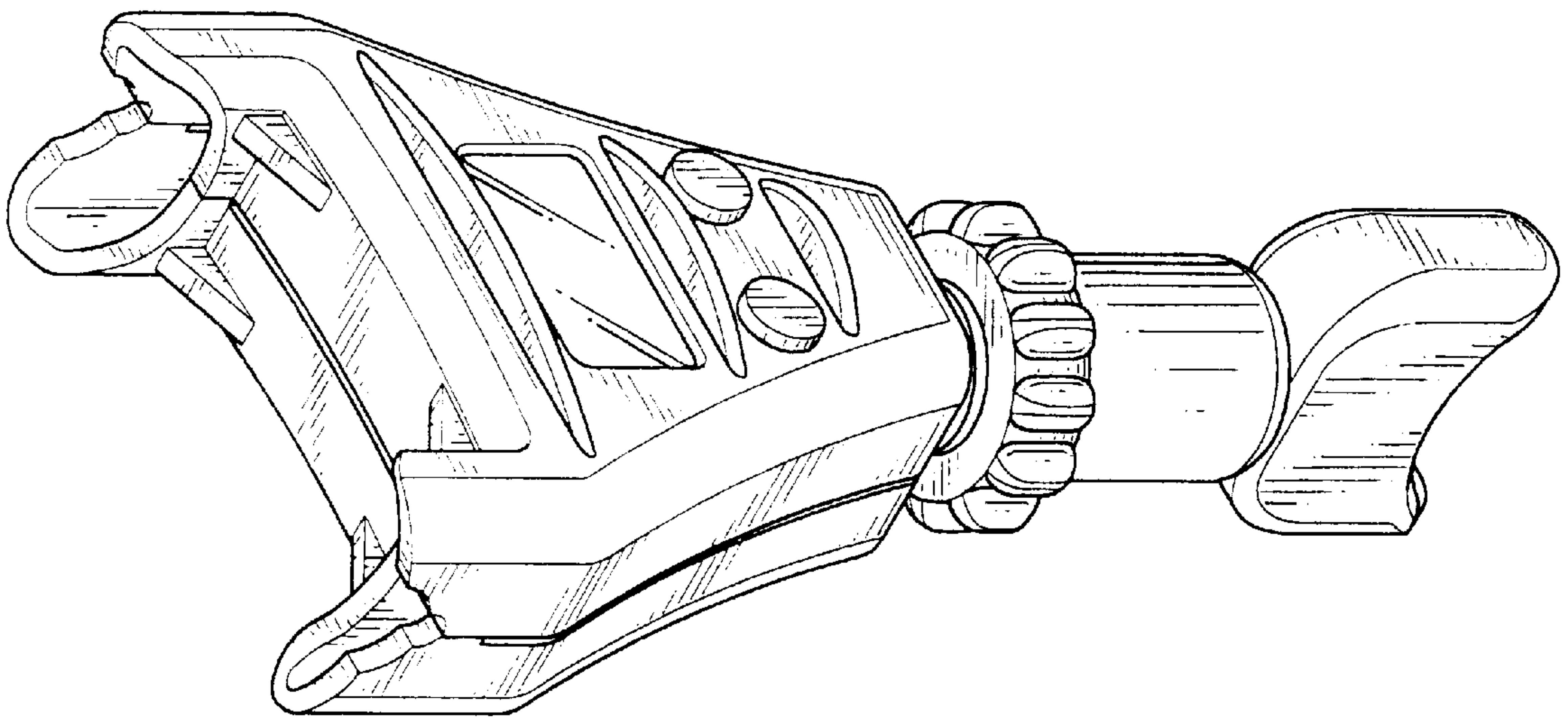


FIG. 1

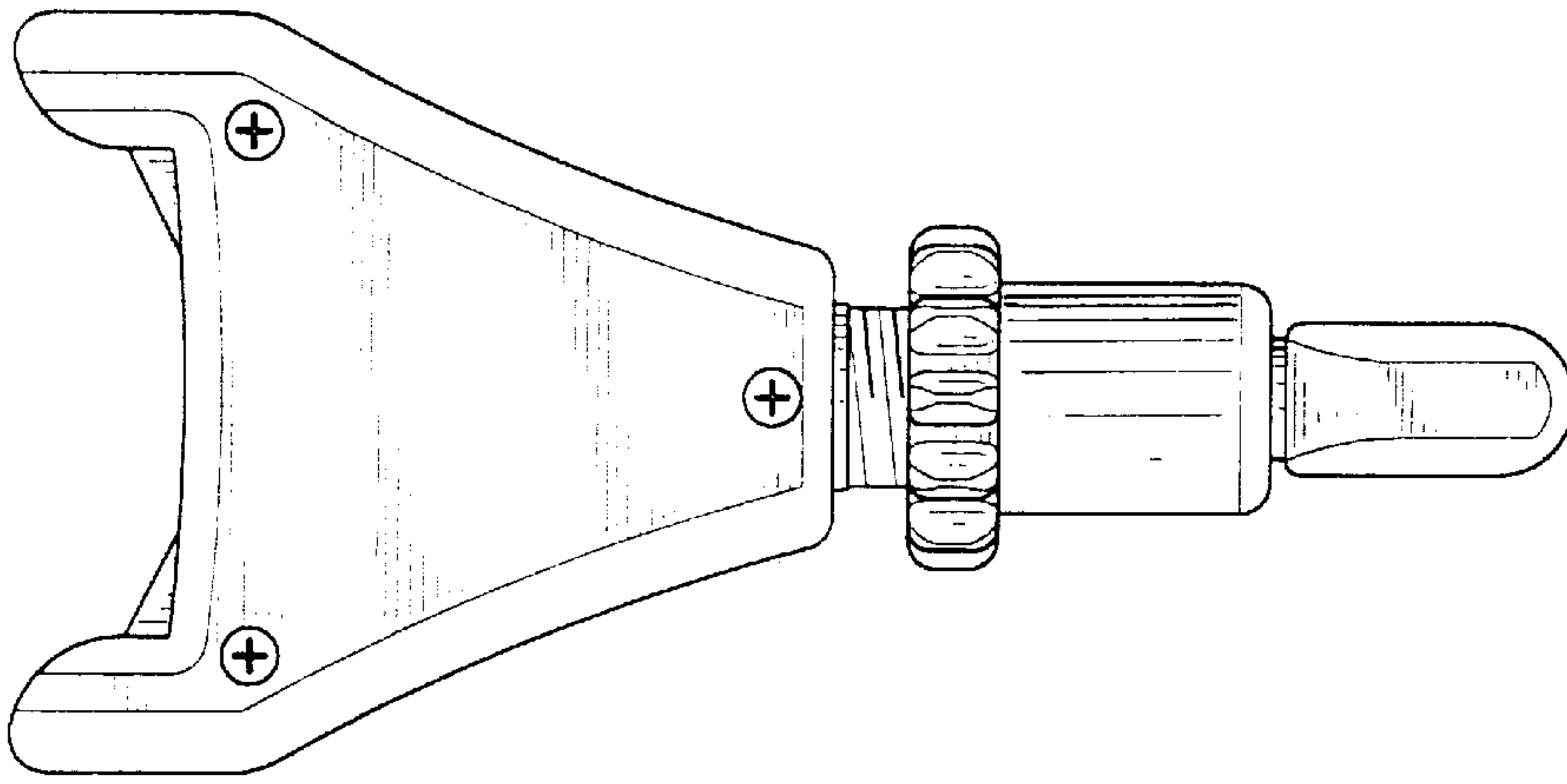


FIG. 3

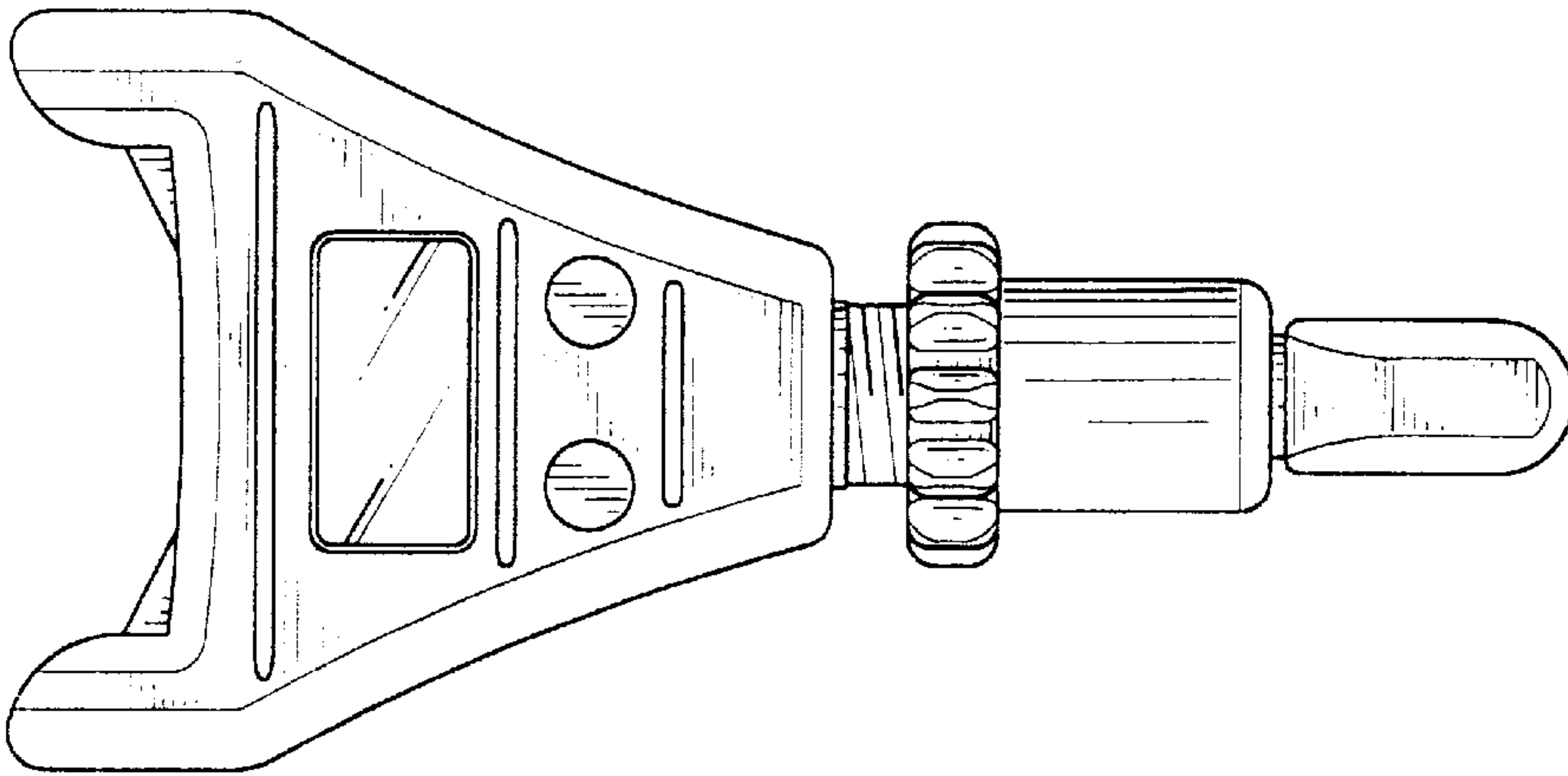


FIG. 2

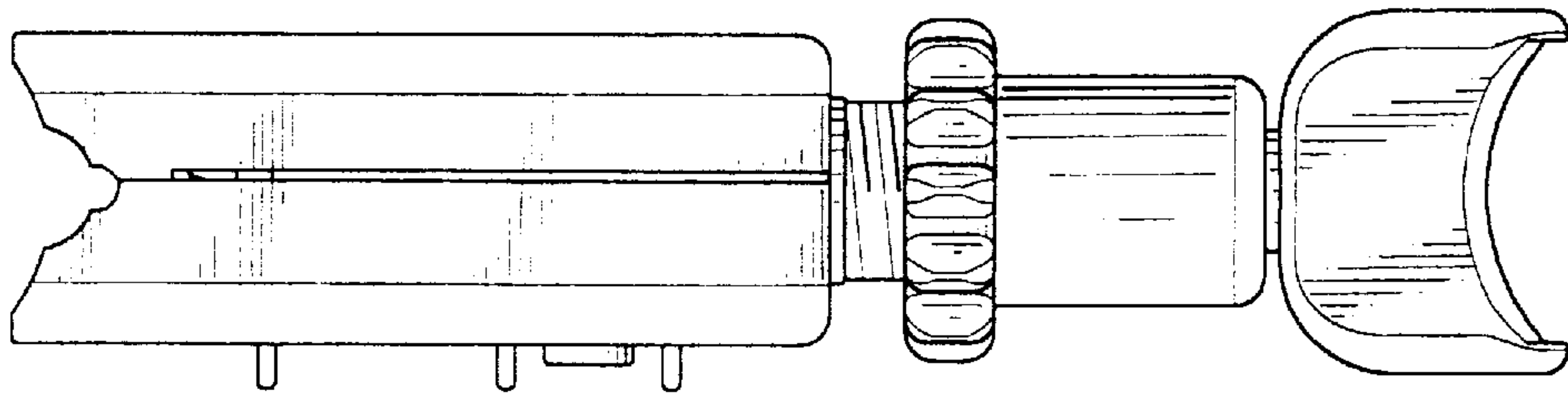


FIG. 5

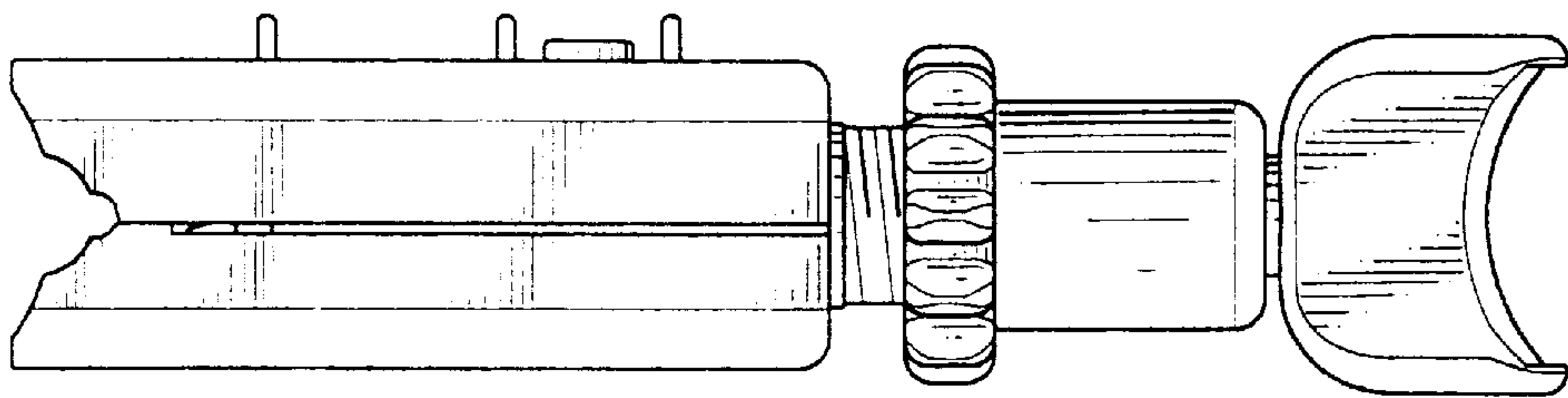


FIG. 4

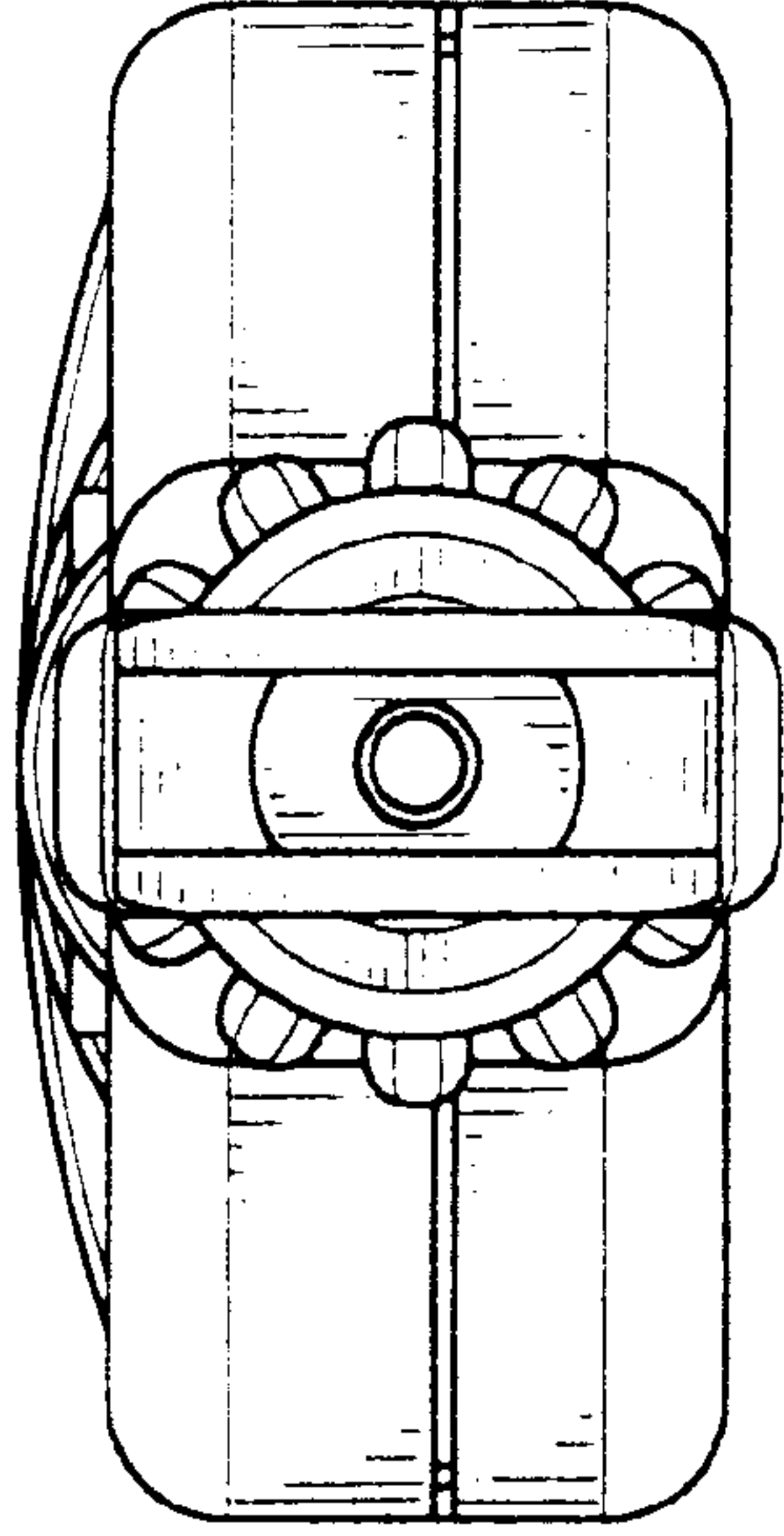


FIG. 6

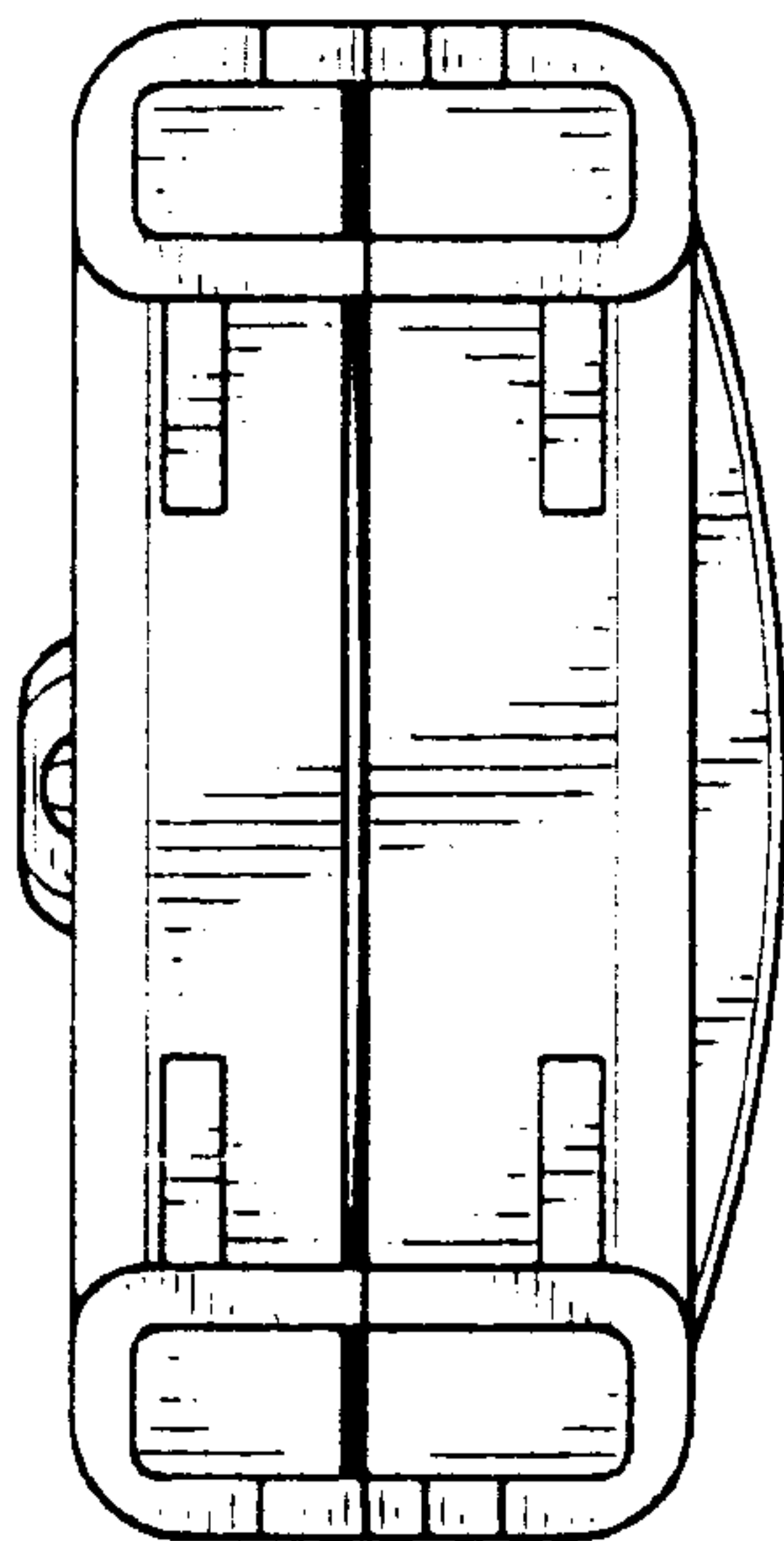


FIG. 7

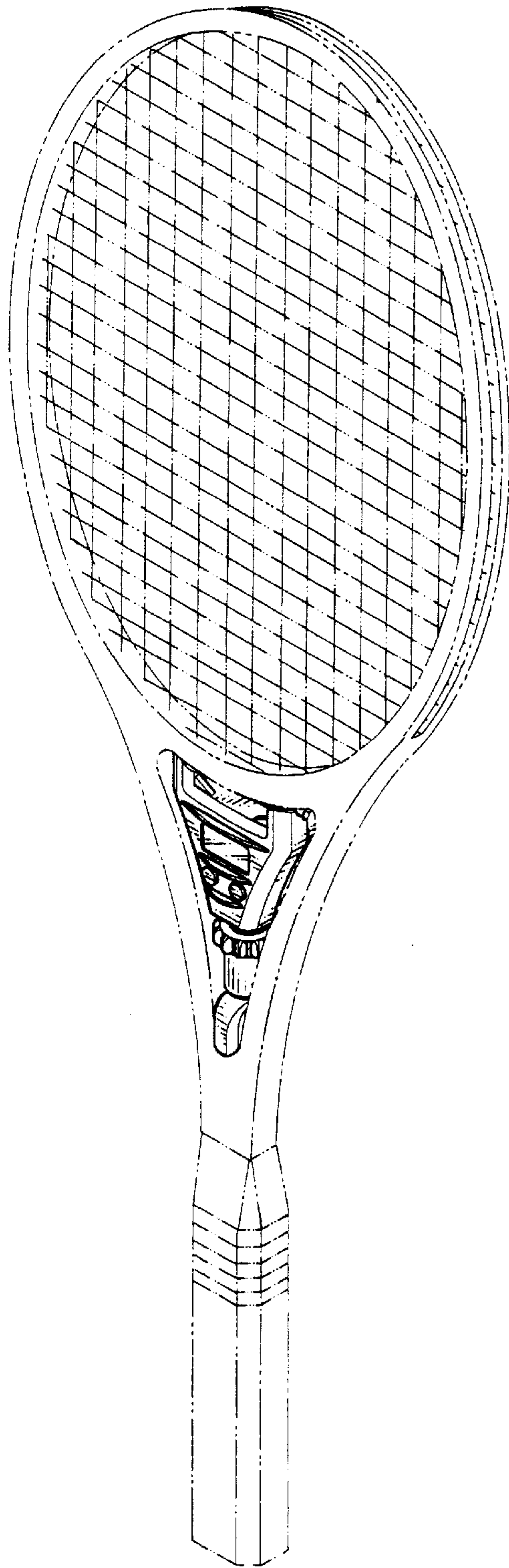


FIG. 8