



US00D458166S

(12) **United States Design Patent**
Ramos

(10) **Patent No.:** **US D458,166 S**

(45) **Date of Patent:** **** Jun. 4, 2002**

(54) **MEASURE OF LENGTH UNIT**

Primary Examiner—Antoine Duval Davis

(76) Inventor: **Daniel Ramos**, 6. de la Marina,
Berthier-sur-Mer (Quebec) (CA), G0R
1E0

(57) **CLAIM**

The ornamental design for a measure of length unit, as shown and described.

(**) Term: **14 Years**

DESCRIPTION

(21) Appl. No.: **29/146,585**

FIG. 1 is a perspective view of a measure of length unit installed onto a measuring tape including a pencil showing my new design;

(22) Filed: **Aug. 13, 2001**

FIG. 2 is a left side top view thereof;

(51) **LOC (7) Cl.** **10-04**

FIG. 3 is a right side top view thereof;

(52) **U.S. Cl.** **D10/74**

FIG. 4 is a left side bottom view thereof;

(58) **Field of Search** D10/74; 33/755-770

FIG. 5 is a right side bottom view thereof; and,

(56) **References Cited**

FIG. 6 is a perspective view of a measure of length unit installed onto a measuring tape including a knife.

U.S. PATENT DOCUMENTS

The broken line showing is for illustrative purposes only and forms no part of the claimed design.

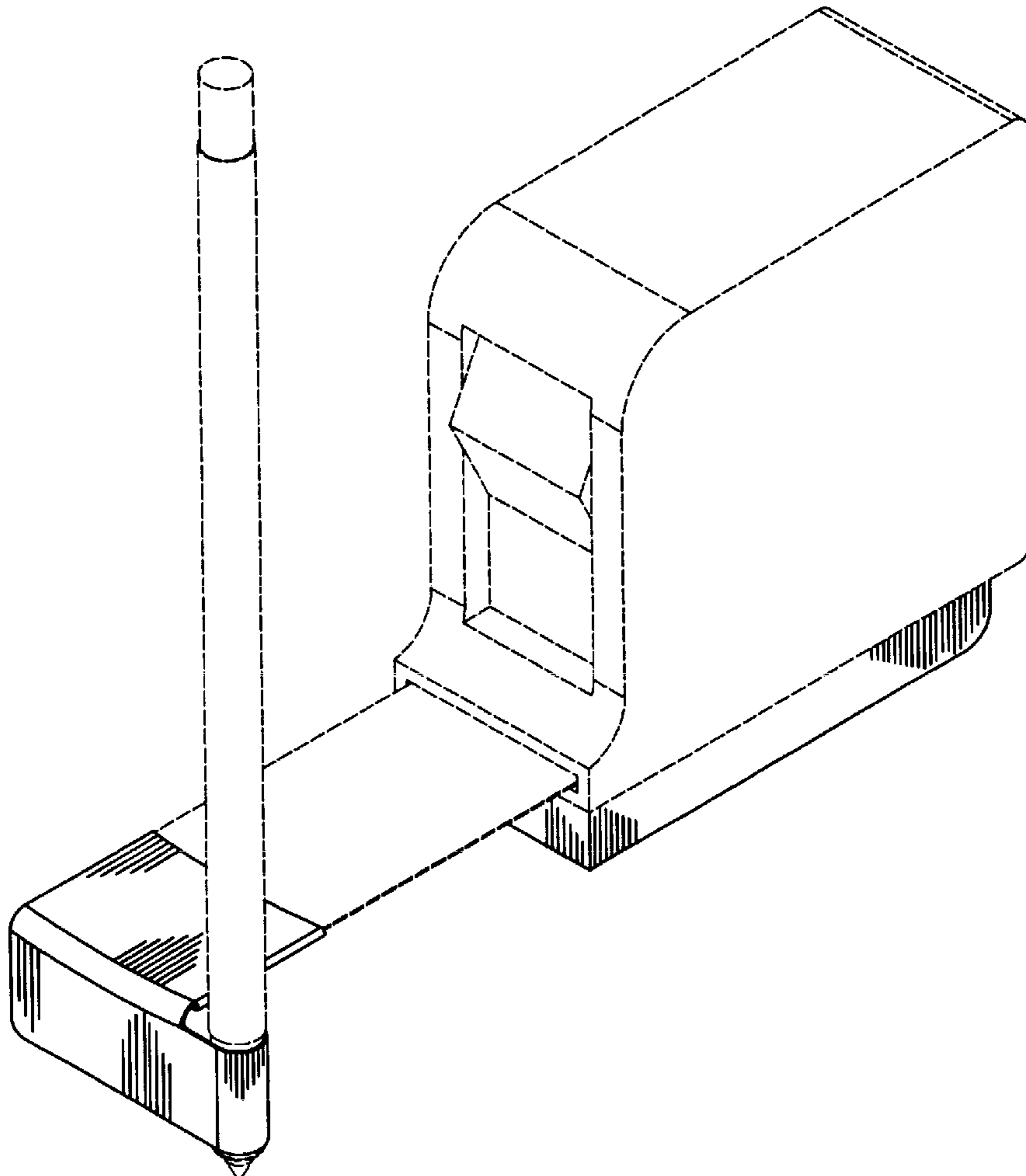
1,408,347 A * 2/1922 Currie 33/758

D336,443 S * 6/1993 Dickey D10/74

D373,734 S * 9/1996 Doak D10/74

* cited by examiner

1 Claim, 4 Drawing Sheets



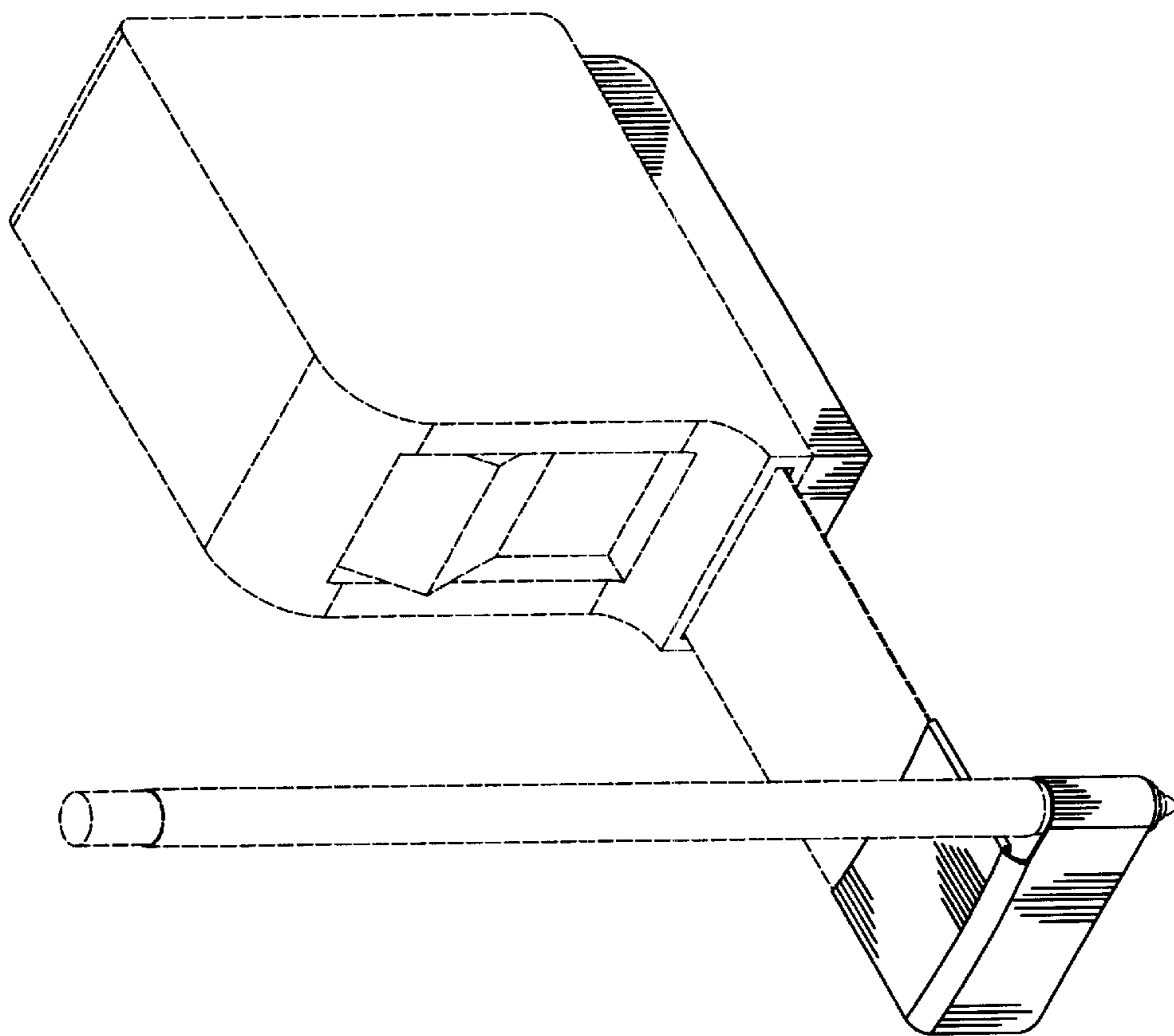


Figure 1

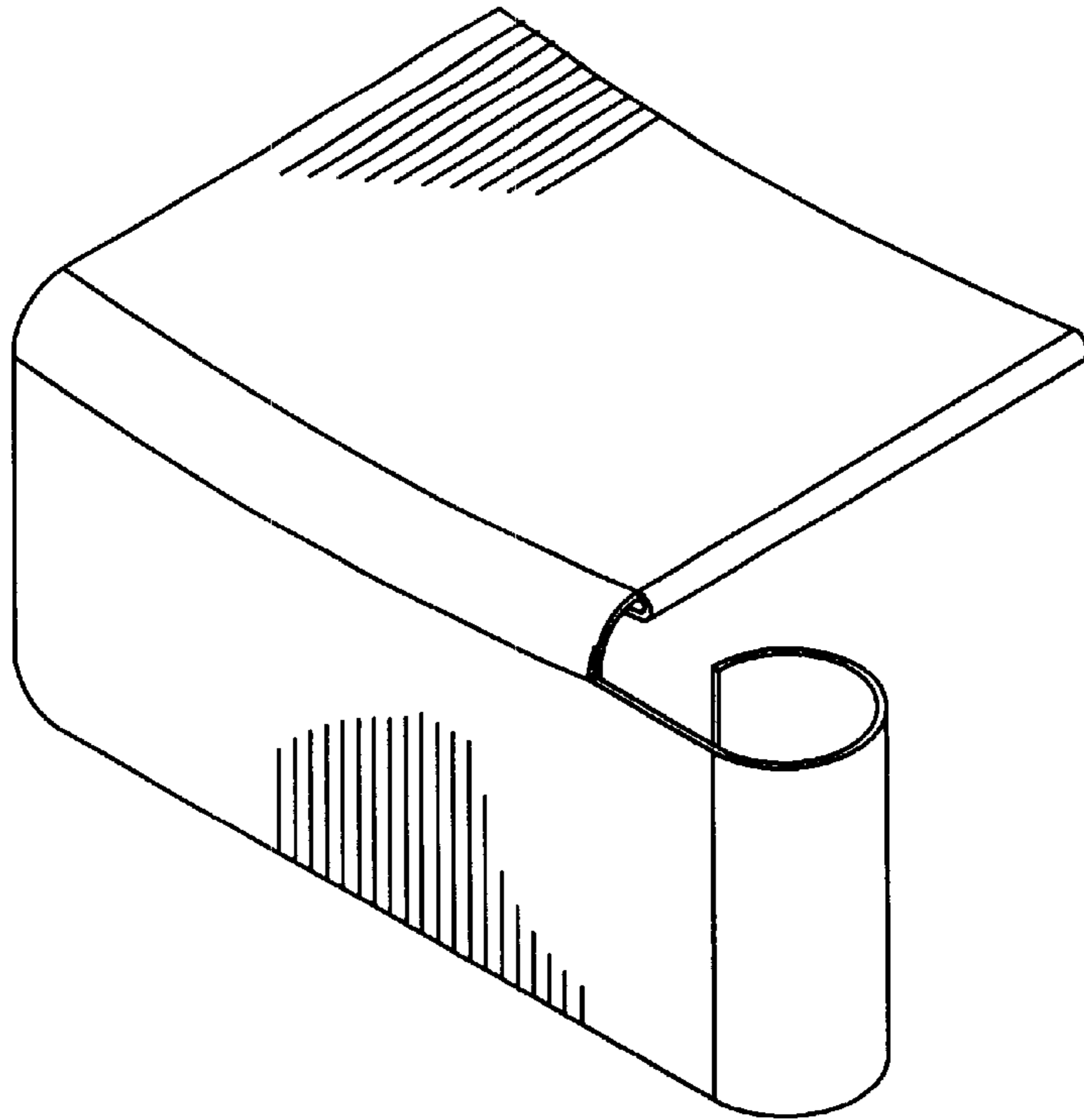


Figure 2

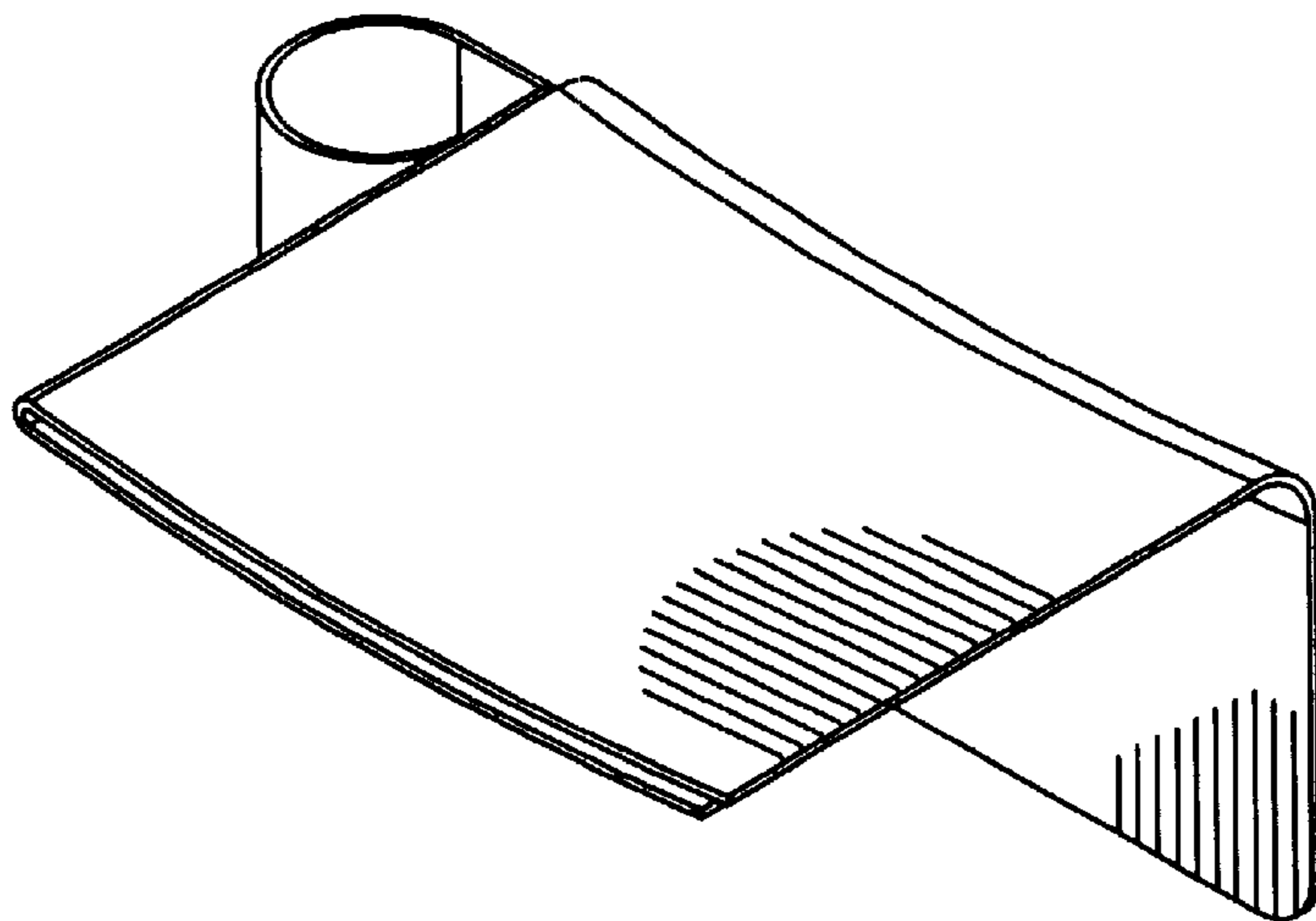


Figure 3

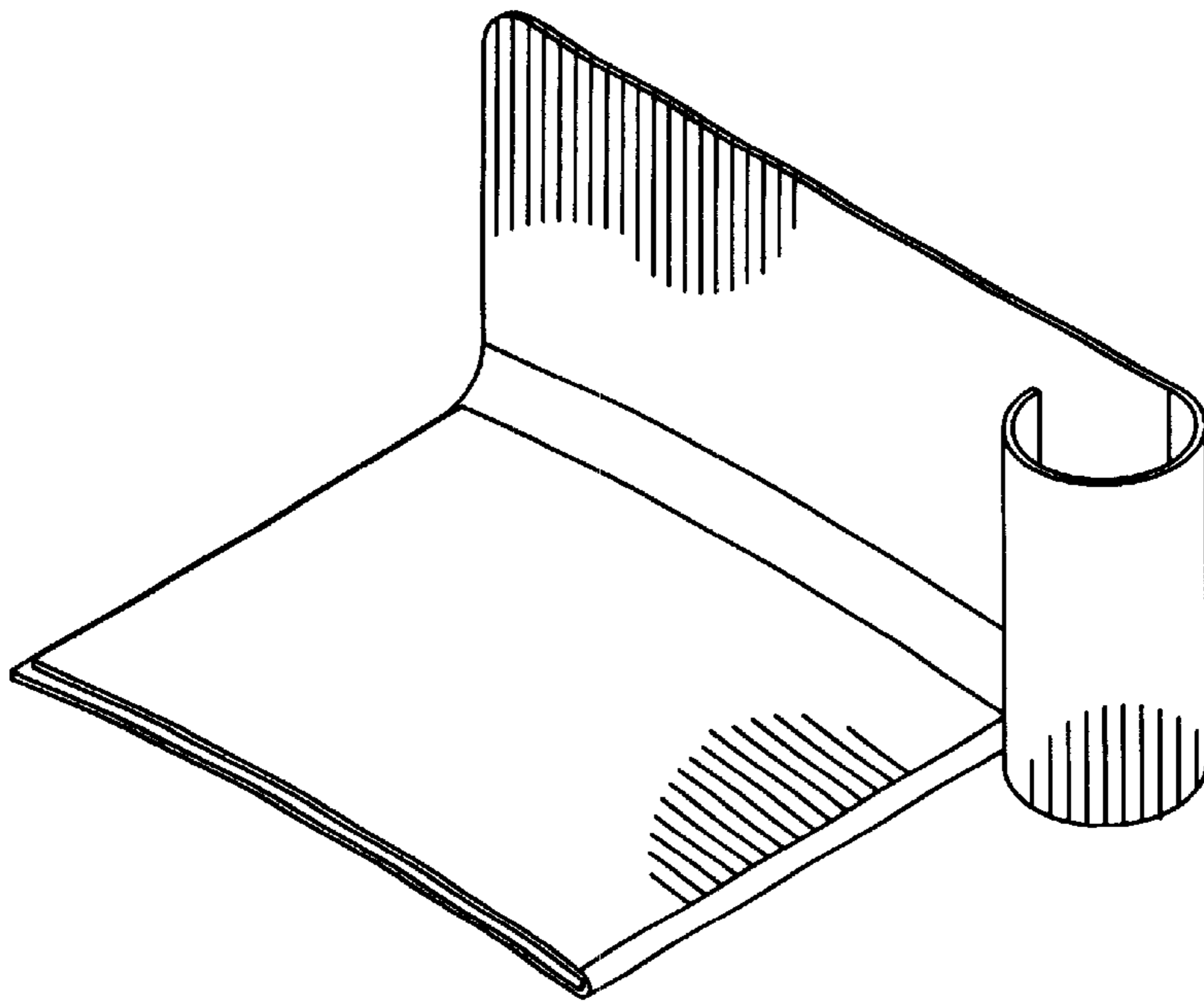


Figure 4

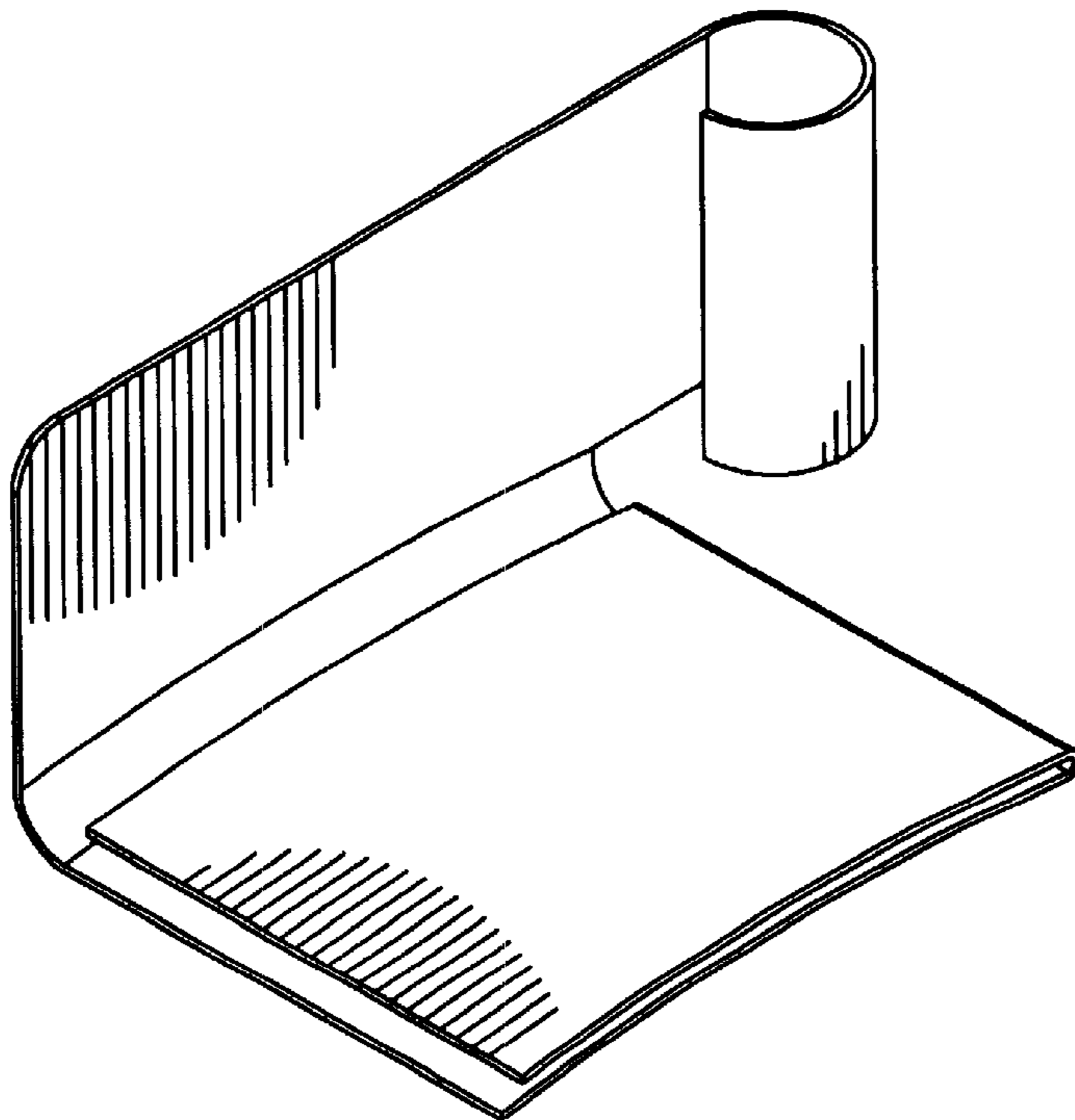


Figure 5

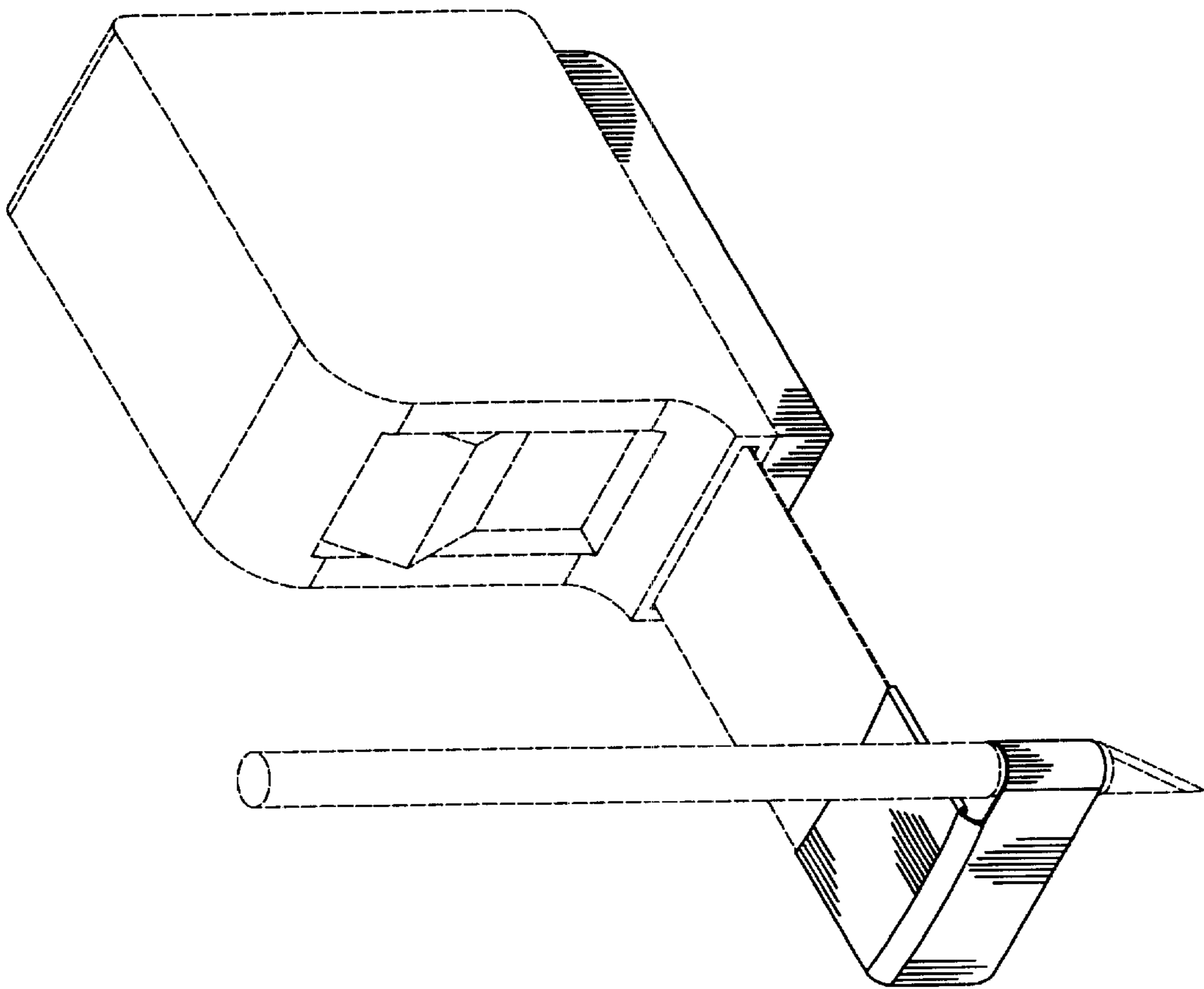


Figure 6