



US00D458163S

(12) **United States Design Patent**
Kang

(10) **Patent No.:** **US D458,163 S**

(45) **Date of Patent:** **** Jun. 4, 2002**

(54) **TAPE MEASURE**

(75) Inventor: **Dong-Hun Kang**, Pusan (KR)

(73) Assignee: **Komelon Corp.**, Pusan (KR)

(**) Term: **14 Years**

(21) Appl. No.: **29/142,558**

(22) Filed: **May 29, 2001**

(51) **LOC (7) Cl.** **10-04**

(52) **U.S. Cl.** **D10/72**

(58) **Field of Search** **D10/72; 33/755-770**

(56) **References Cited**

U.S. PATENT DOCUMENTS

D415,047 S * 10/1999 Hsu D10/72

D420,606 S * 2/2000 Hsu D10/72

D449,546 S * 10/2001 Lee D10/72

* cited by examiner

Primary Examiner—Antoine Duval Davis

(74) *Attorney, Agent, or Firm*—Perman & Green, LLP

(57) **CLAIM**

The ornamental design of a tape measure, as shown and described.

DESCRIPTION

FIG. 1 is a front elevational view of the design for a tape measure;

FIG. 2 is a rear elevational view of the design of FIG. 1;

FIG. 3 is a left side elevational view of the design of FIG. 1;

FIG. 4 is a right side elevational view of the design of FIG. 1;

FIG. 5 is a top plain view of the design of FIG. 1;

FIG. 6 is a bottom plain view of the design of FIG. 1;

FIG. 7 is a perspective view of the design of FIG. 1; and,

FIG. 8 is a perspective view of the tape measure in use.

1 Claim, 5 Drawing Sheets

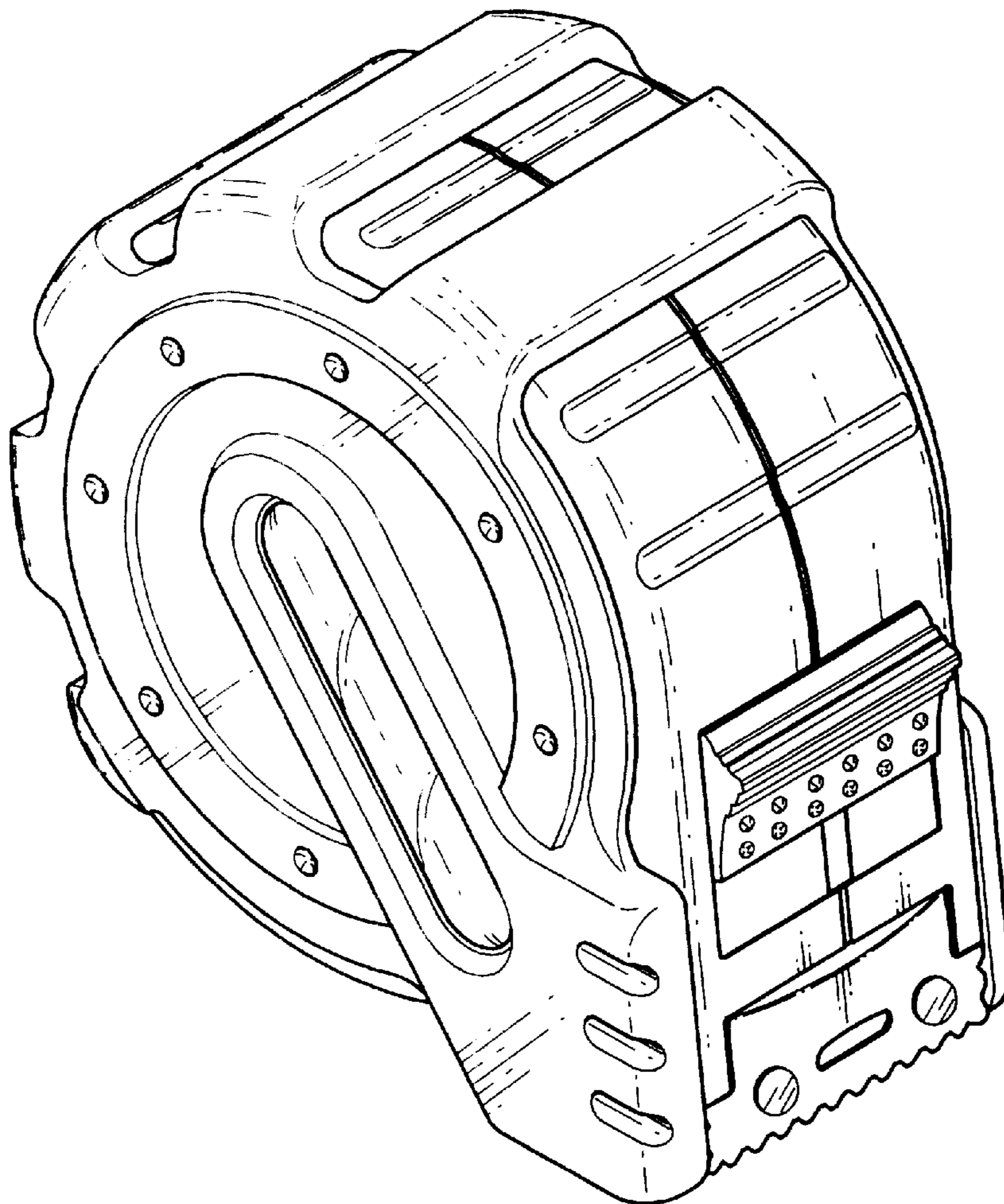


FIG. 1

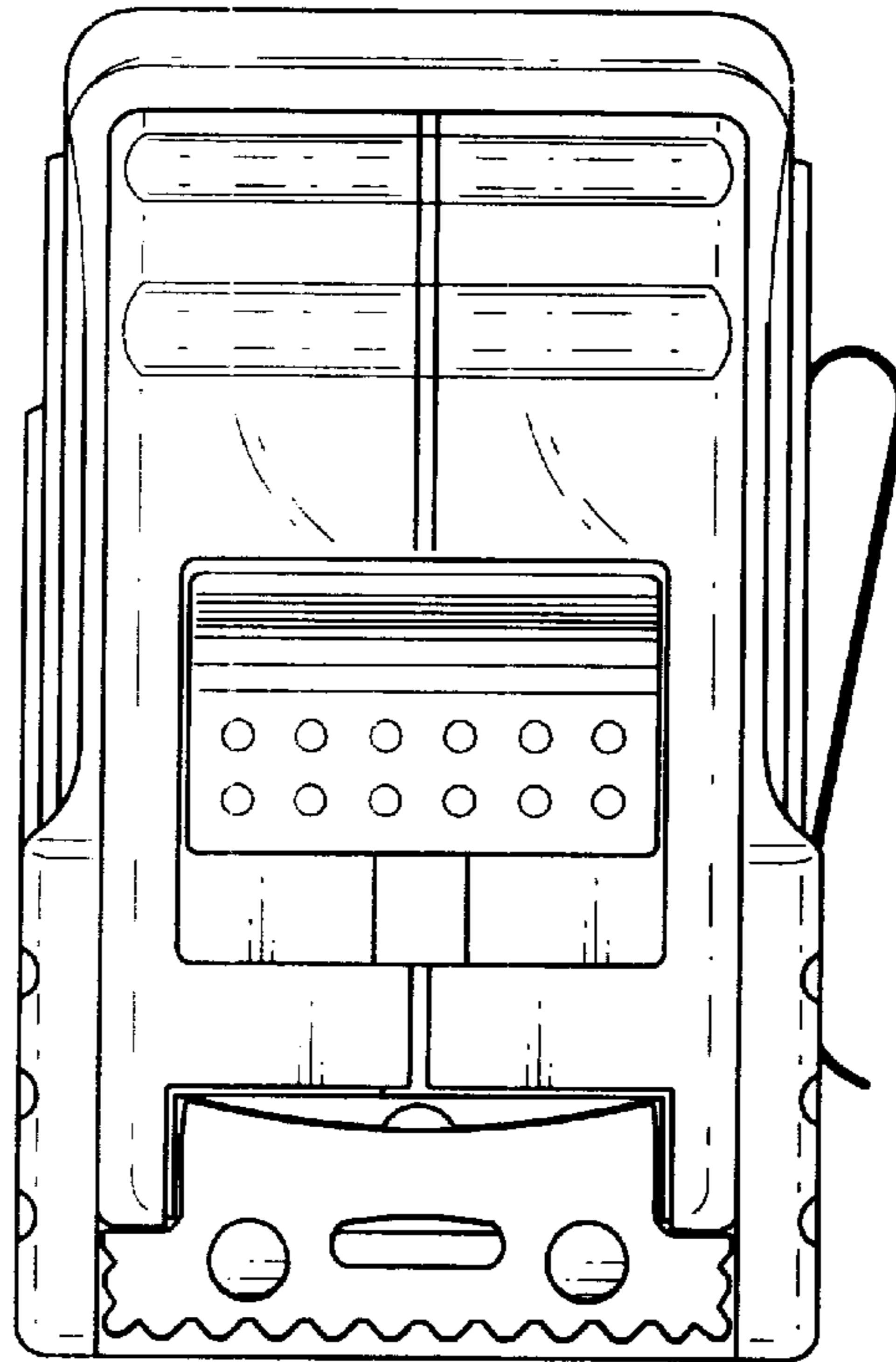


FIG. 2

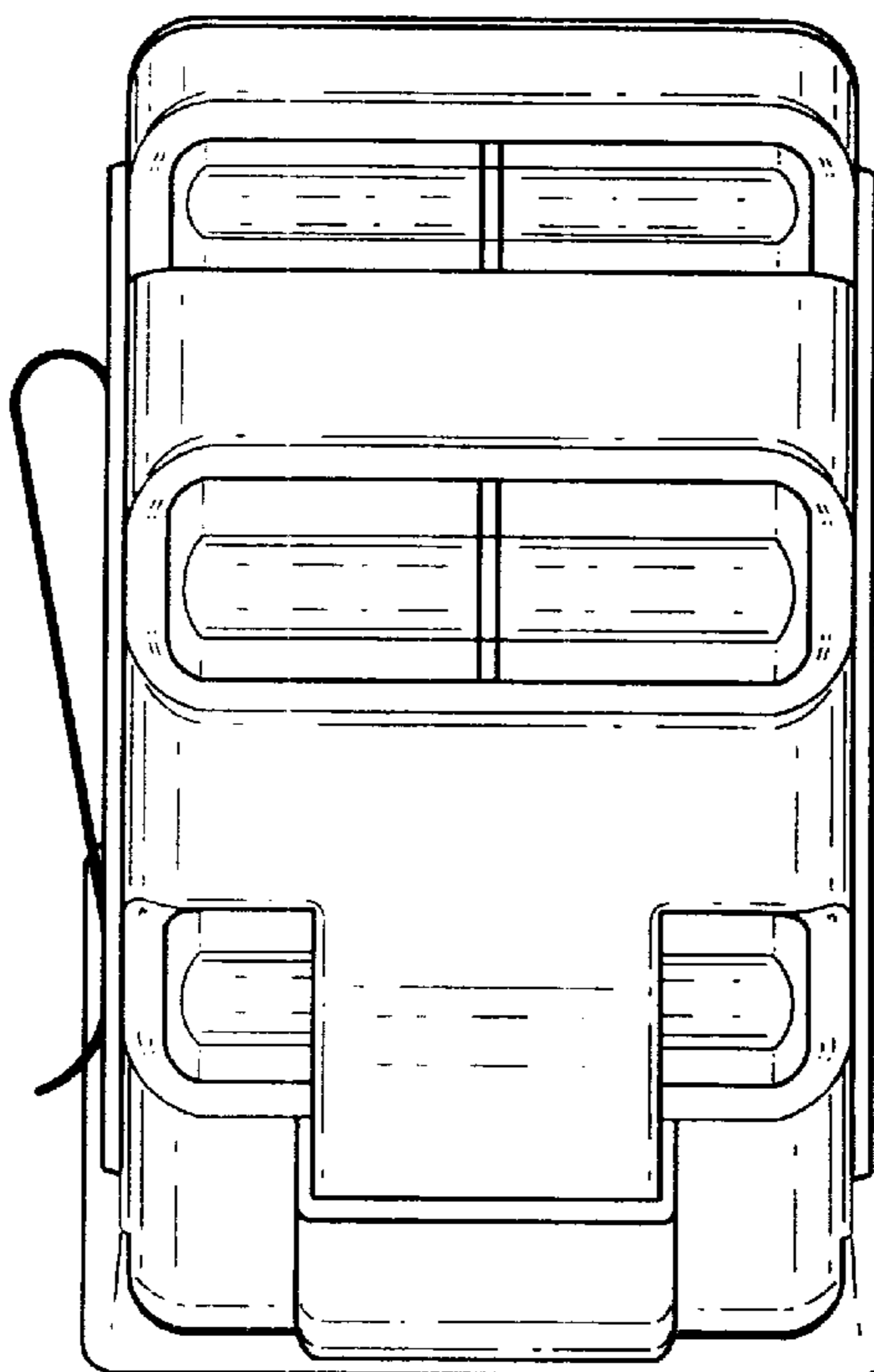


FIG. 3

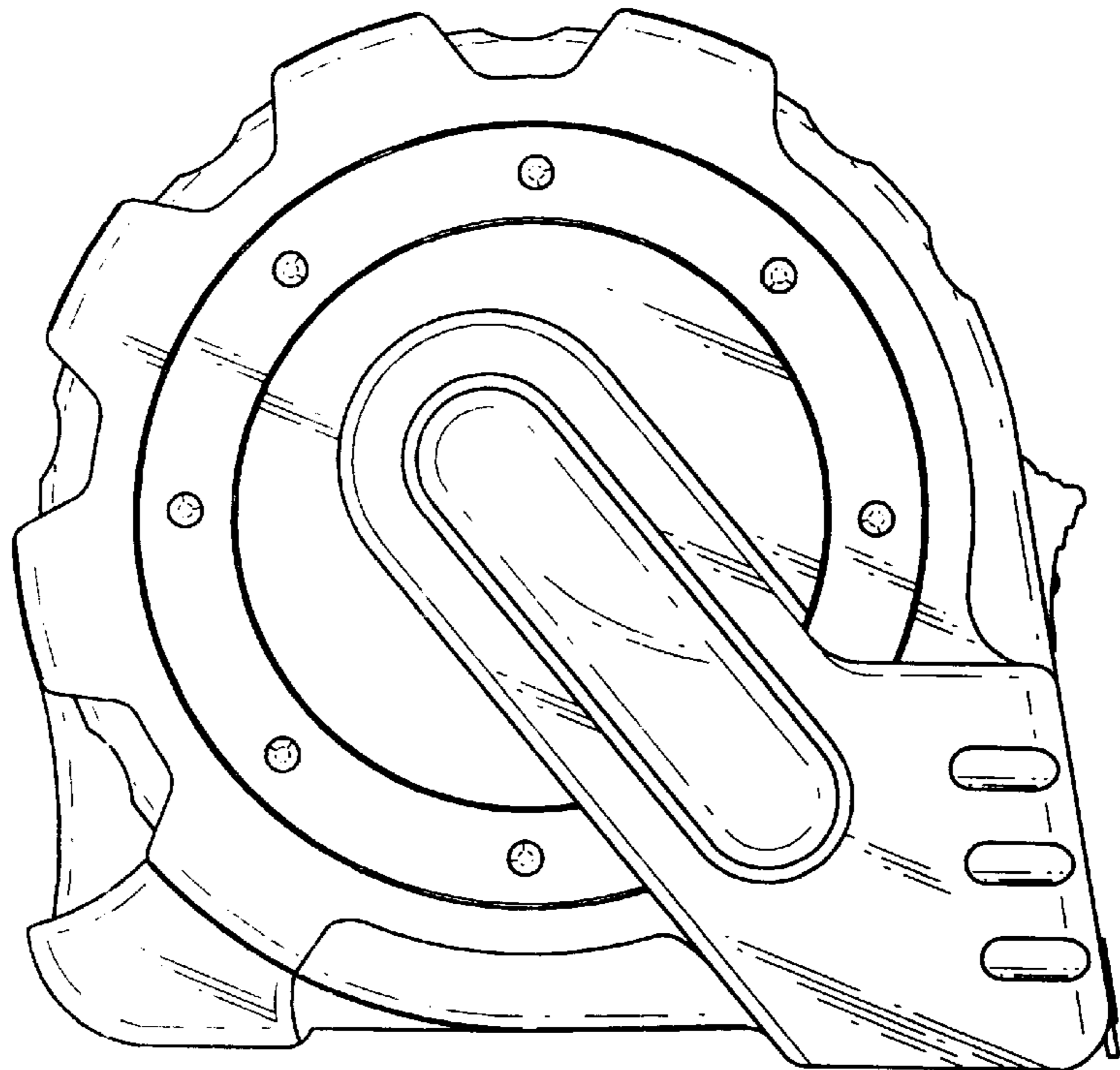


FIG. 4

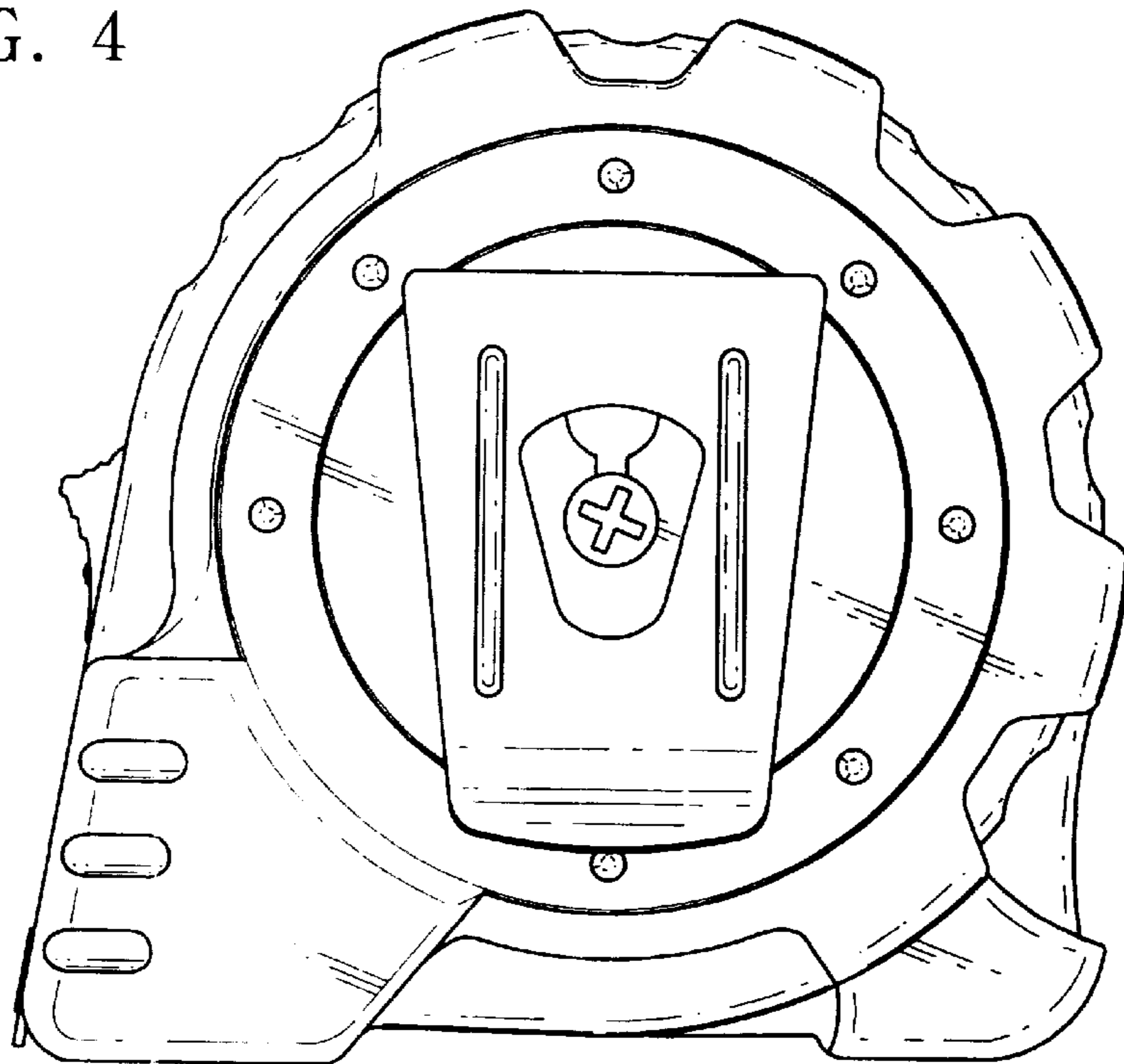


FIG. 5

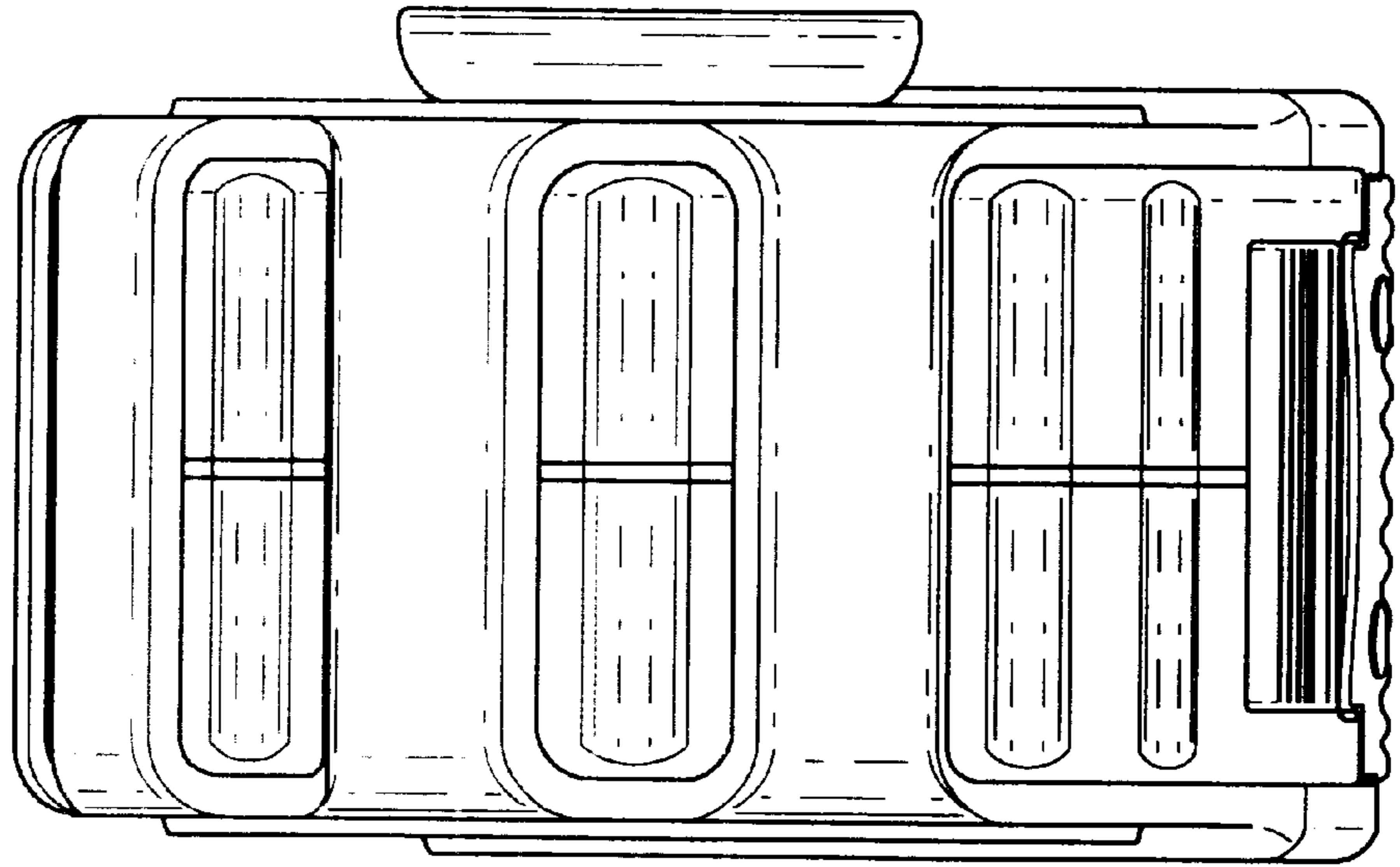


FIG. 6

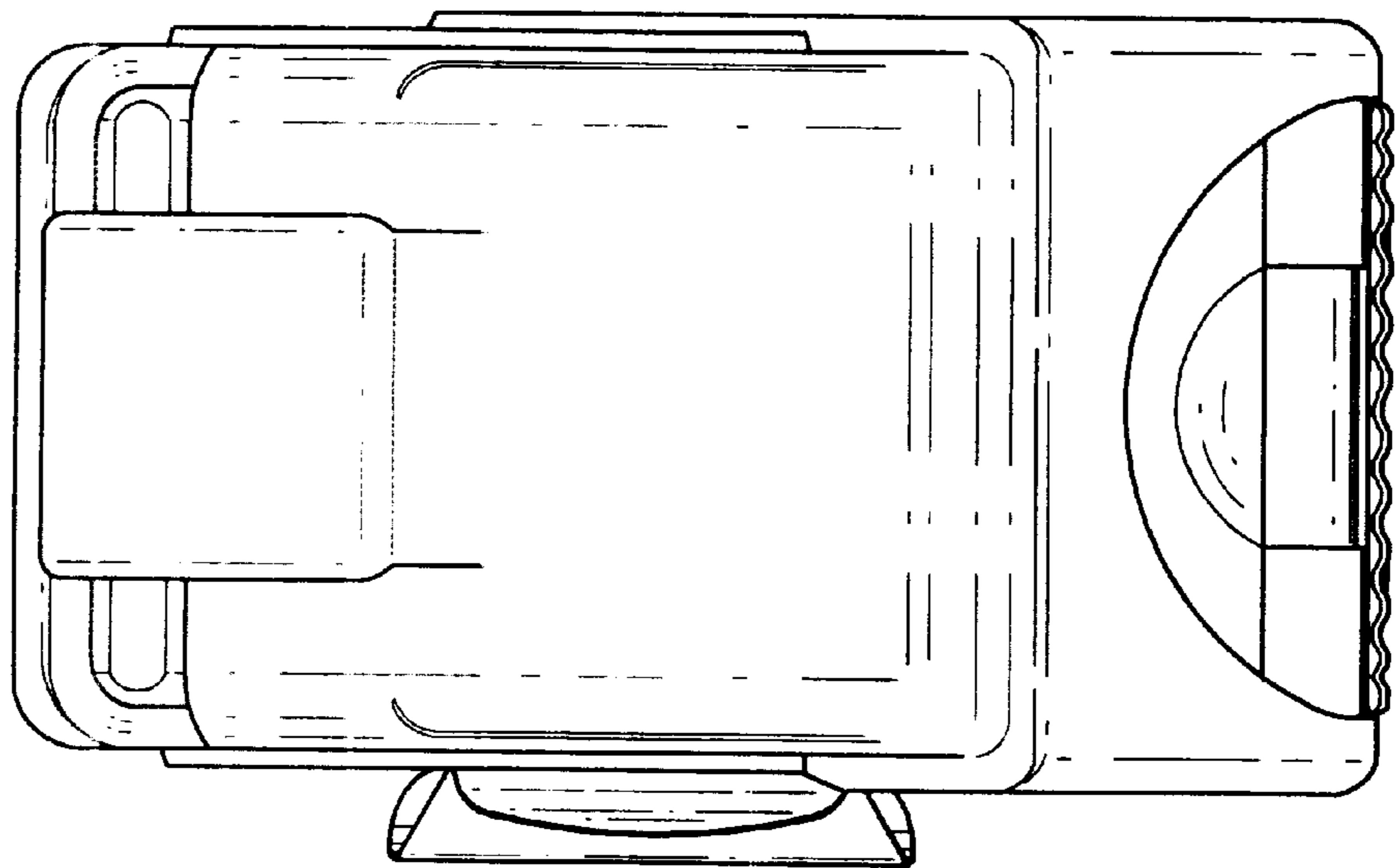


FIG. 7

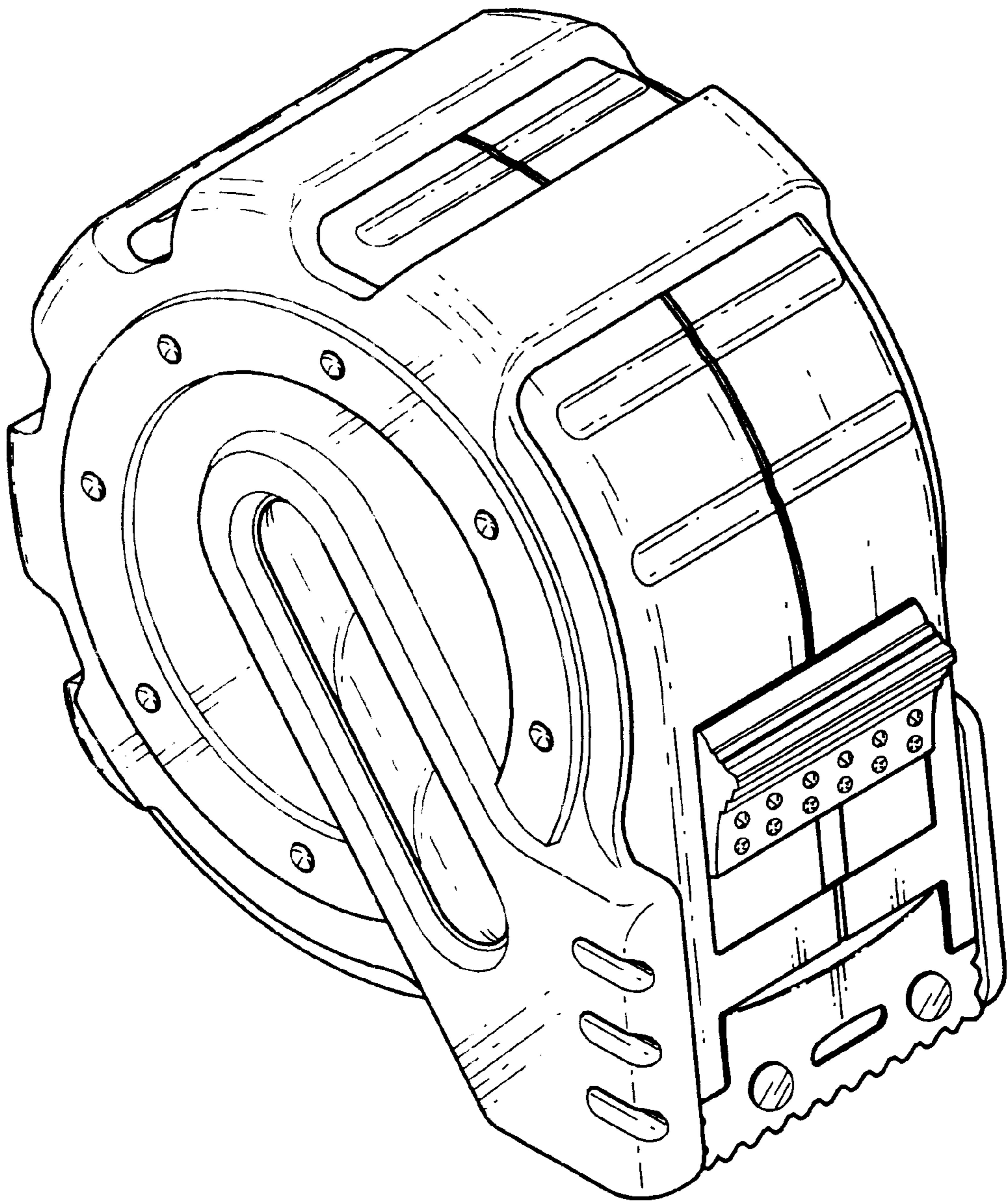


FIG. 8

