



US00D458162S

(12) **United States Design Patent**
Wightman

(10) **Patent No.:** **US D458,162 S**

(45) **Date of Patent:** **** Jun. 4, 2002**

(54) **DISTANCE MEASURING DEVICE**

D437,796 S * 2/2001 Risi D10/70

(75) Inventor: **Craig Wightman**, Bristol (GB)

* cited by examiner

(73) Assignee: **Trumeter Company Ltd.**, Manchester (GB)

Primary Examiner—Antoine Duval Davis

(74) *Attorney, Agent, or Firm*—Thompson Coburn LLP

(**) Term: **14 Years**

(57) **CLAIM**

The ornamental design for a distance measuring device, as shown and described.

(21) Appl. No.: **29/146,433**

DESCRIPTION

(22) Filed: **Aug. 9, 2001**

(51) **LOC (7) Cl.** **10-04**

(52) **U.S. Cl.** **D10/70**

(58) **Field of Search** D10/70; 33/772,
33/779-782, 775

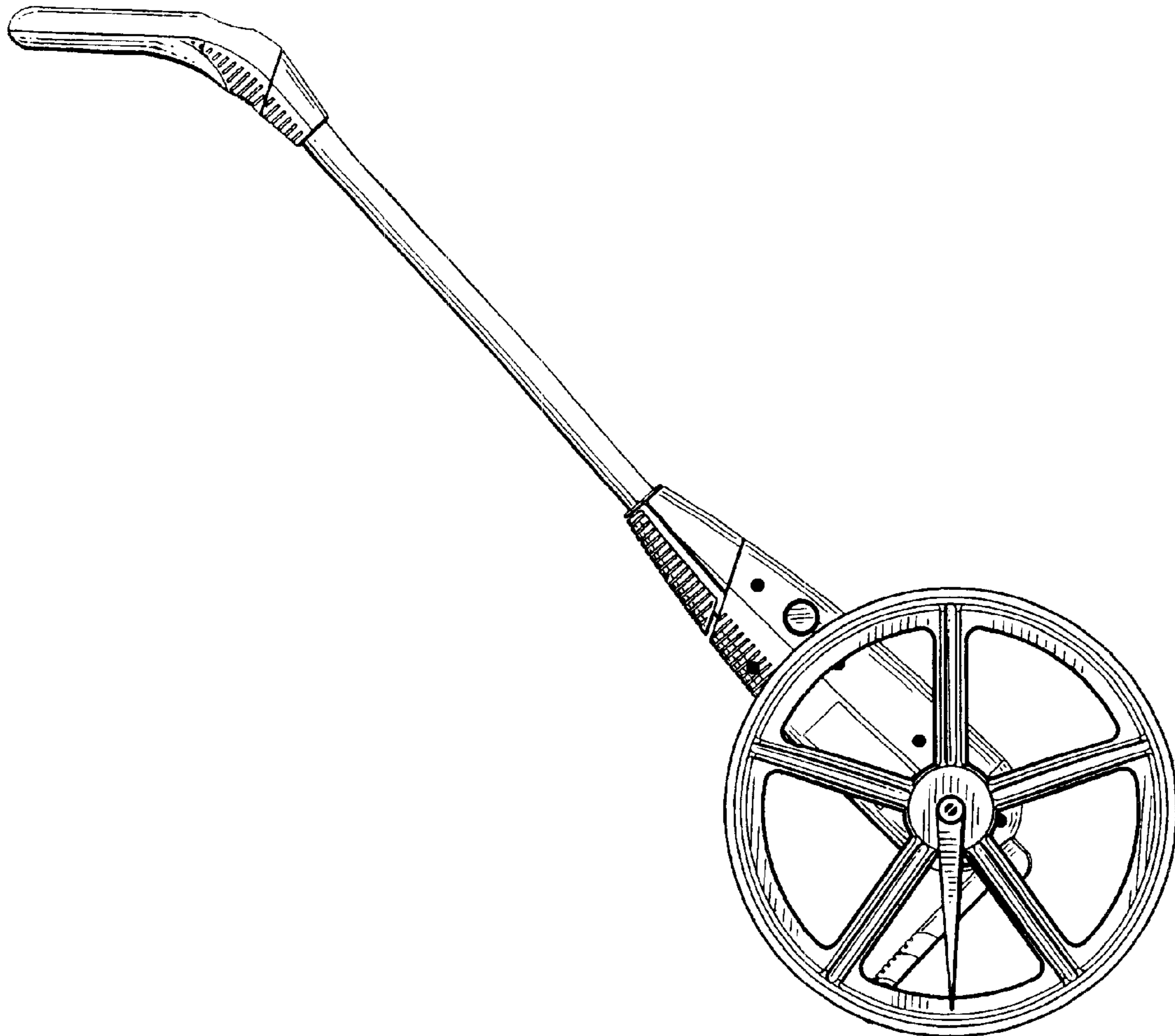
FIG. 1 is a side view;
FIG. 2 is a front view;
FIG. 3 is a rear view;
FIG. 4 is an opposite side view;
FIG. 5 is a view from above;
FIG. 6 is a view from below;
FIG. 7 is a perspective view;
FIG. 8 is a side view in a first alternative configuration; and,
FIG. 9 is a rear view in a second alternative configuration.

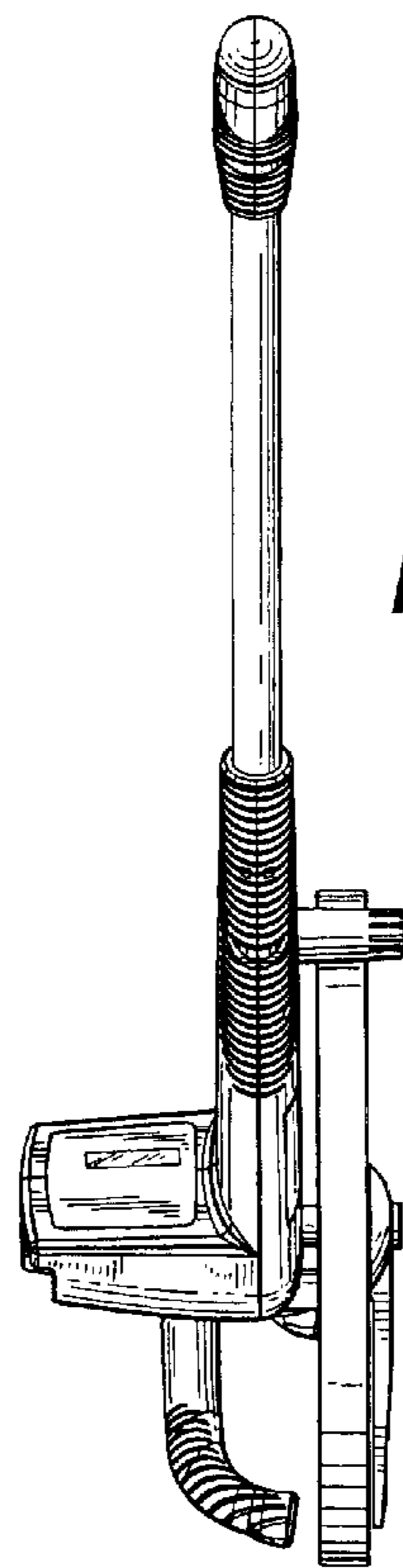
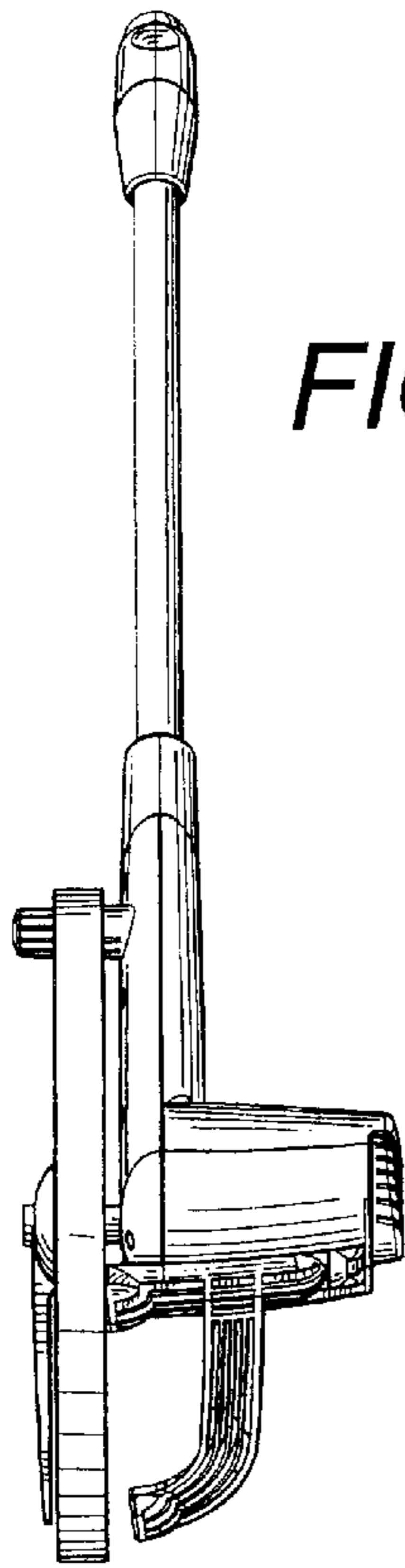
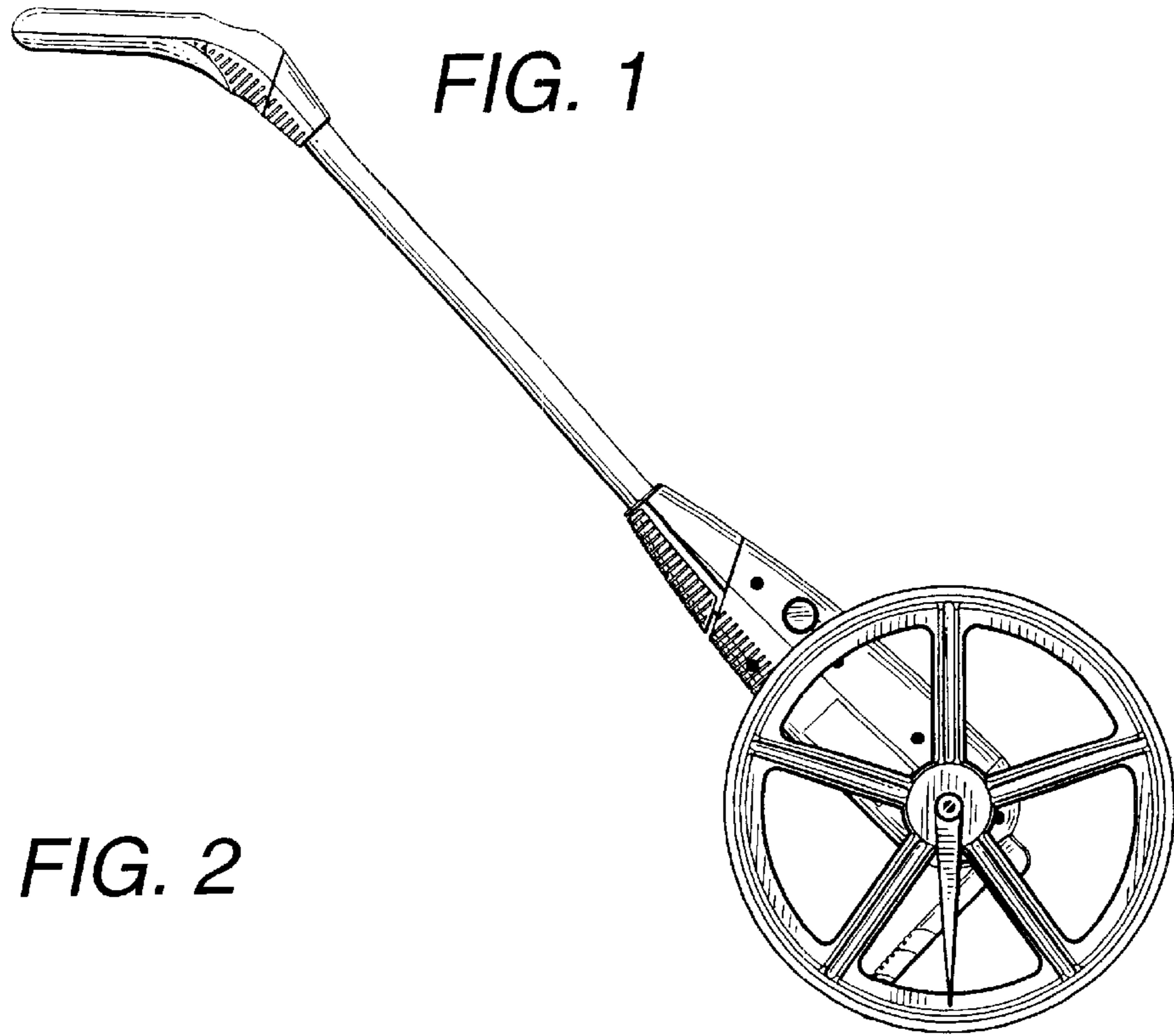
(56) **References Cited**

U.S. PATENT DOCUMENTS

5,052,687 A * 10/1991 Katerba 33/781 X
D383,399 S * 9/1997 Cragle et al. D10/70

1 Claim, 3 Drawing Sheets





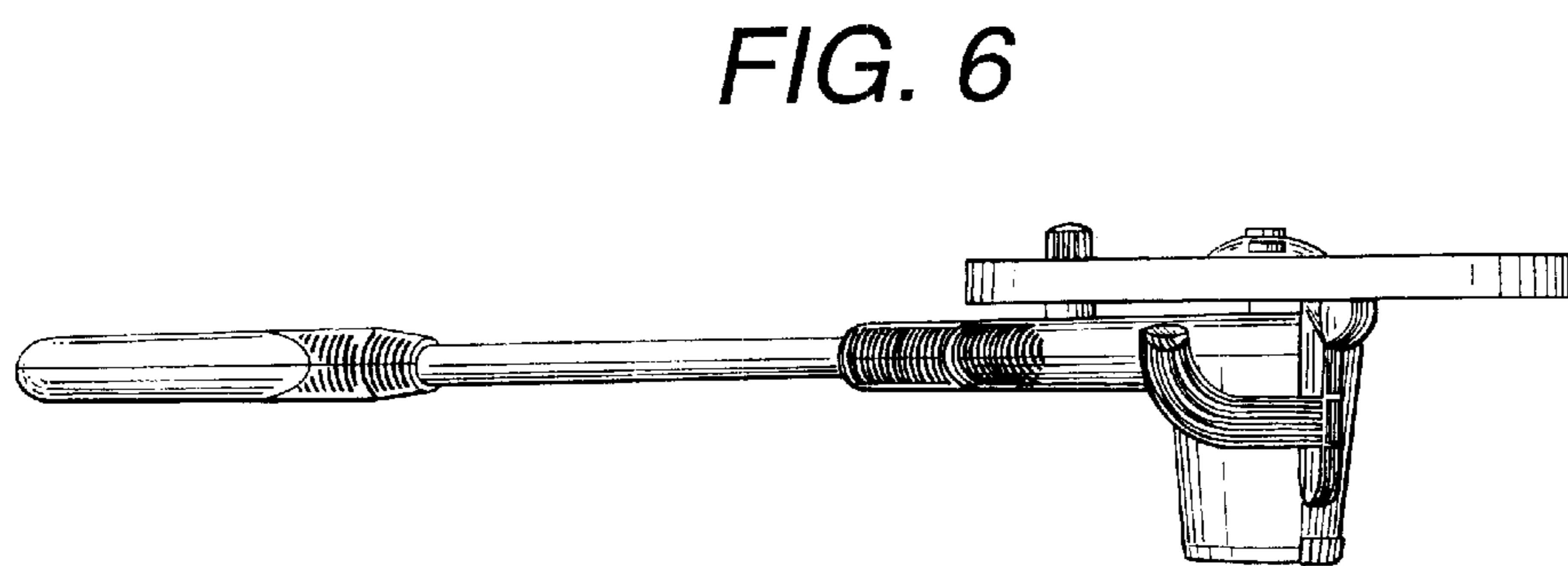
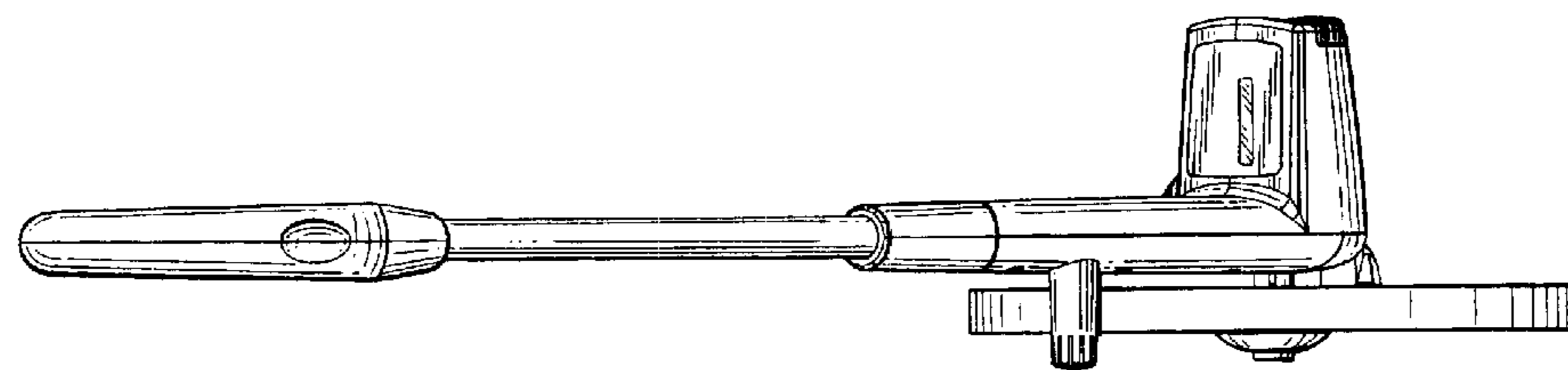
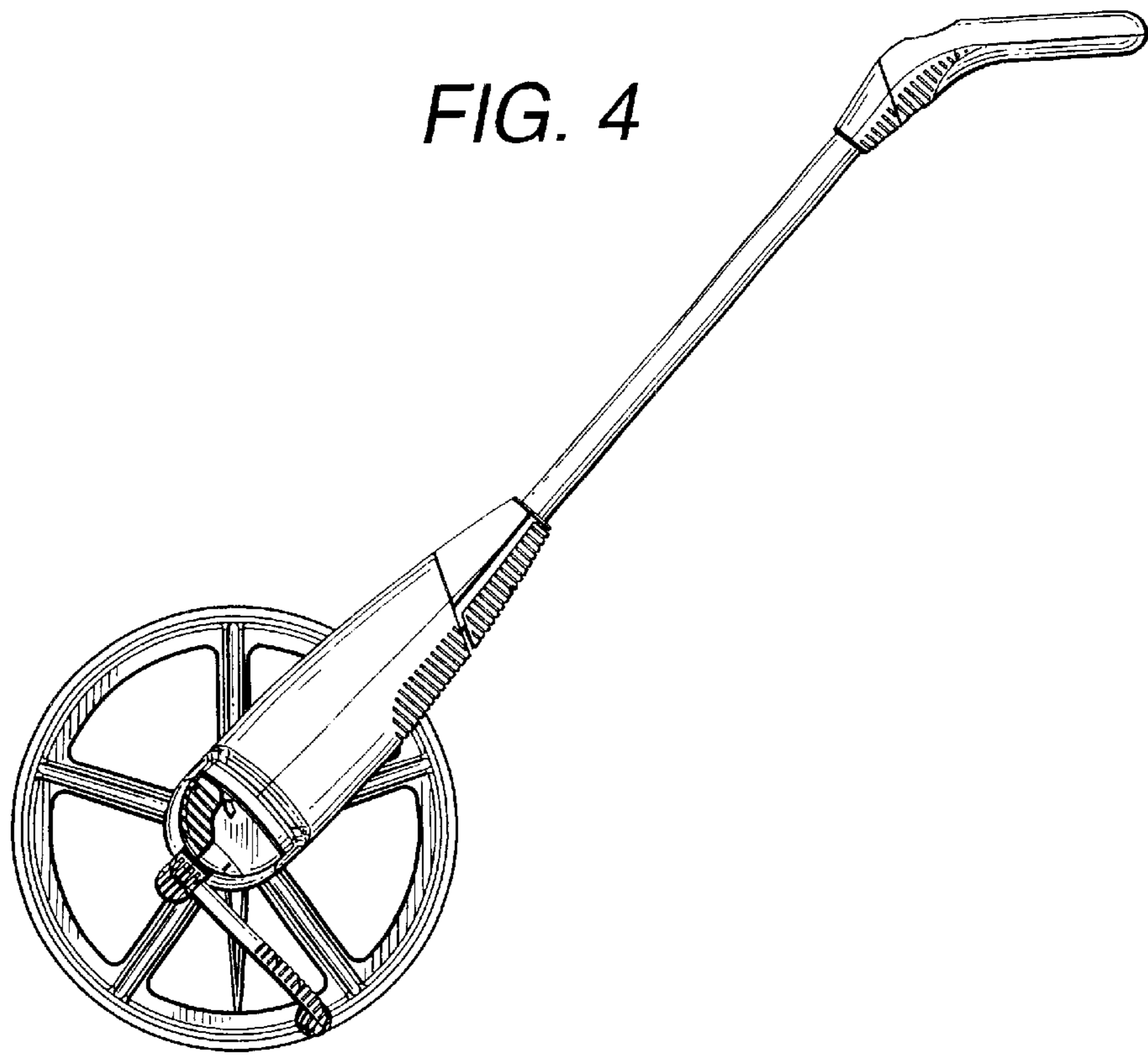


FIG. 7

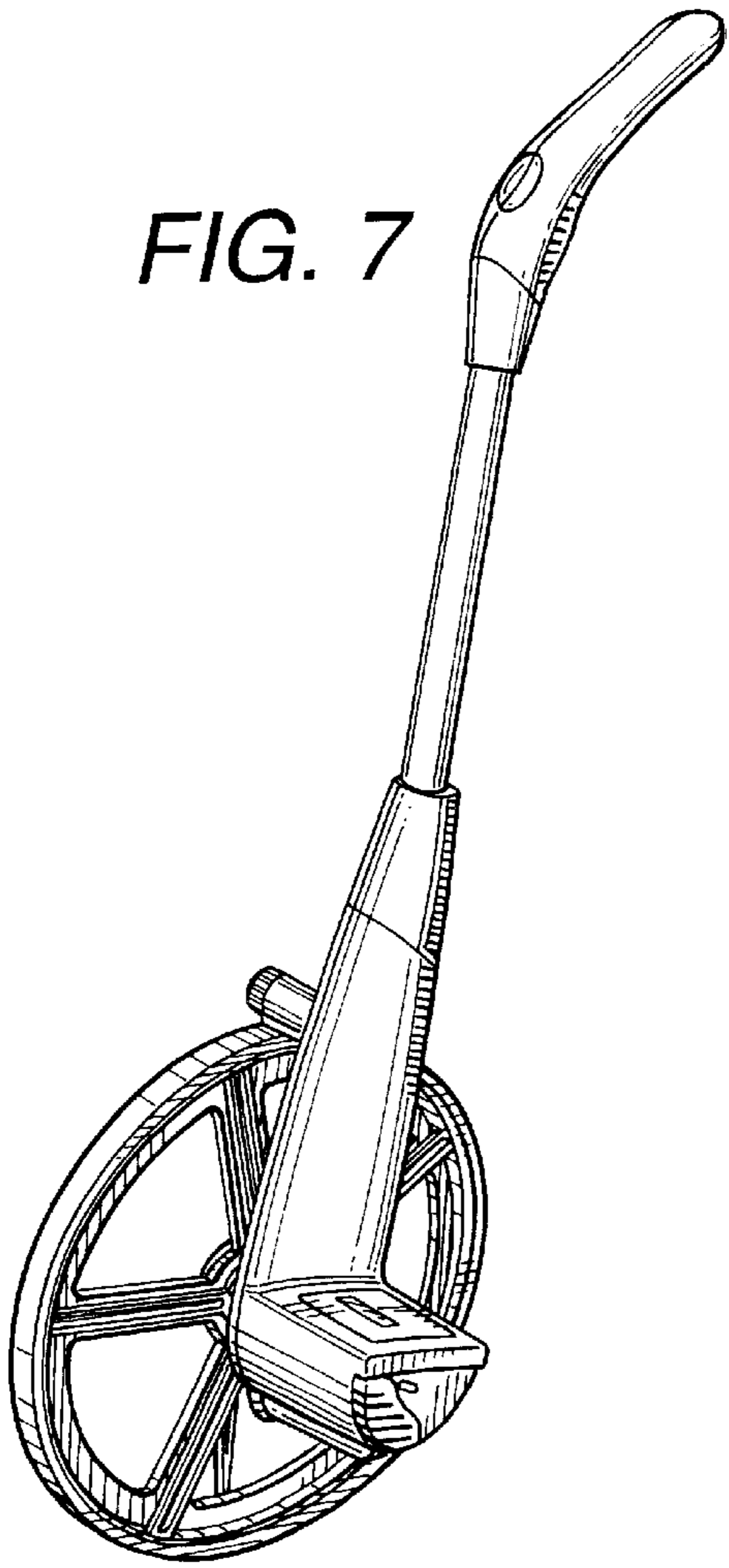


FIG. 8

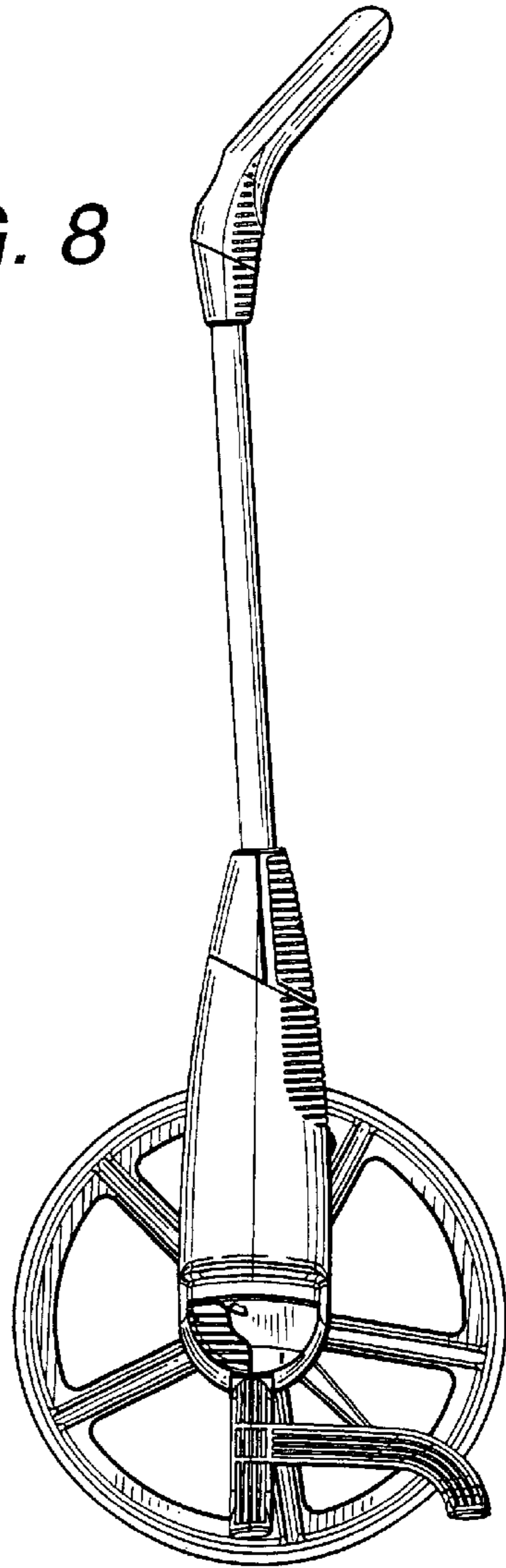


FIG. 9

