



US00D458153S

(12) **United States Design Patent**
Gensini

(10) **Patent No.:** **US D458,153 S**

(45) **Date of Patent:** **** Jun. 4, 2002**

(54) **WATCHCASE**

D413,070 S * 8/1999 Charriol D10/30

(75) Inventor: **Antonio Gensini**, Sesto Fiorentino (IT)

* cited by examiner

(73) Assignee: **Nomination di Antonio e Paolo Gensini s.n.c.**, Florence (IT)

Primary Examiner—Nelson C. Holtje

(74) *Attorney, Agent, or Firm*—Browdy and Neimark

(**) Term: **14 Years**

(57) **CLAIM**

The ornamental design for a watchcase, as shown and described.

(21) Appl. No.: **29/145,846**

(22) Filed: **Aug. 1, 2001**

(30) **Foreign Application Priority Data**

Feb. 5, 2001 (IT) FI0100006

(51) **LOC (7) Cl.** **10-02**

(52) **U.S. Cl.** **D10/30**

(58) **Field of Search** D10/30-39, 122-132;
368/281-282, 276-277, 285

DESCRIPTION

FIG. 1 is a top perspective view of a watchcase in accordance with the present design, portions in dotted lines being shown for environmental purposes only;

FIG. 2 is a bottom perspective view thereof;

FIG. 3 is a right side view thereof;

FIG. 4 is a left side view thereof;

FIG. 5 is a front side view thereof;

FIG. 6 is a rear side view thereof;

FIG. 7 is a top plan view thereof; and,

FIG. 8 is a bottom plan view thereof.

The broken line showings of band portions in FIGS. 1-4 is for illustrative purposes only and form no part of the claimed design.

(56) **References Cited**

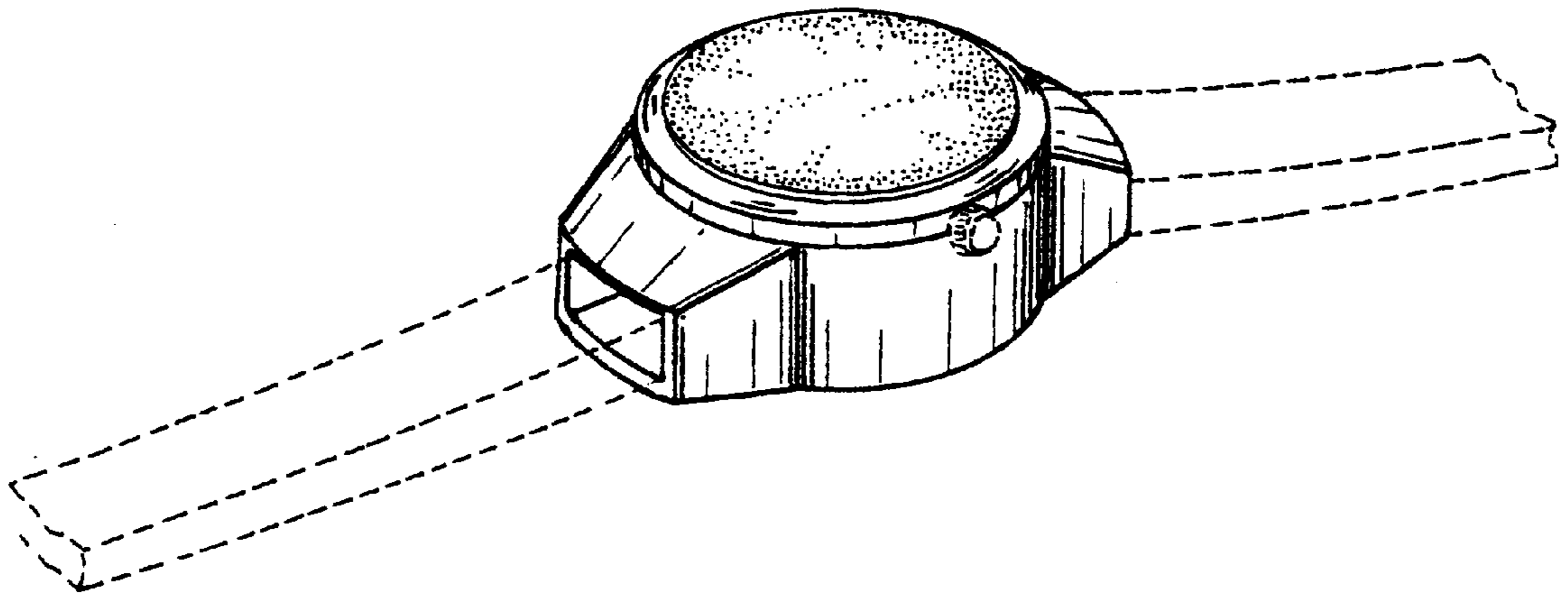
U.S. PATENT DOCUMENTS

D283,401 S * 4/1986 Lung D10/30

D328,036 S * 7/1992 Ricci D10/32

D398,540 S * 9/1998 Lee D10/30

1 Claim, 3 Drawing Sheets



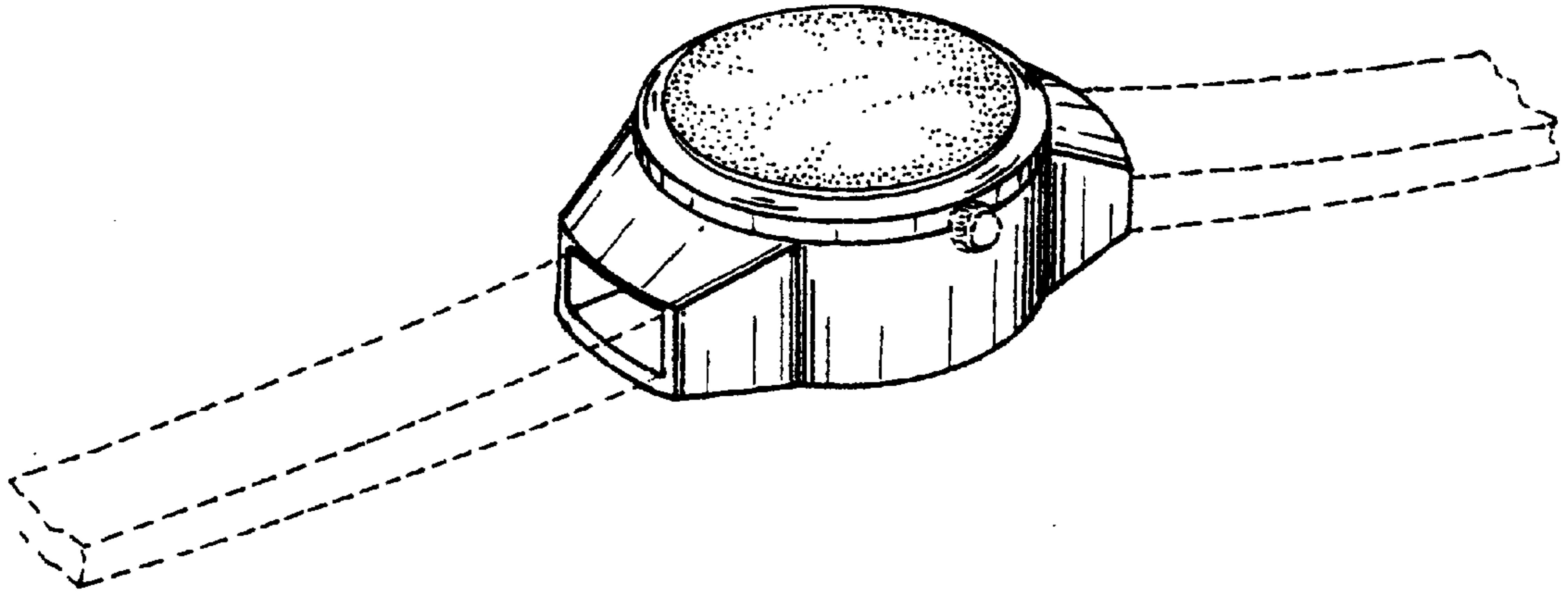


FIG.1

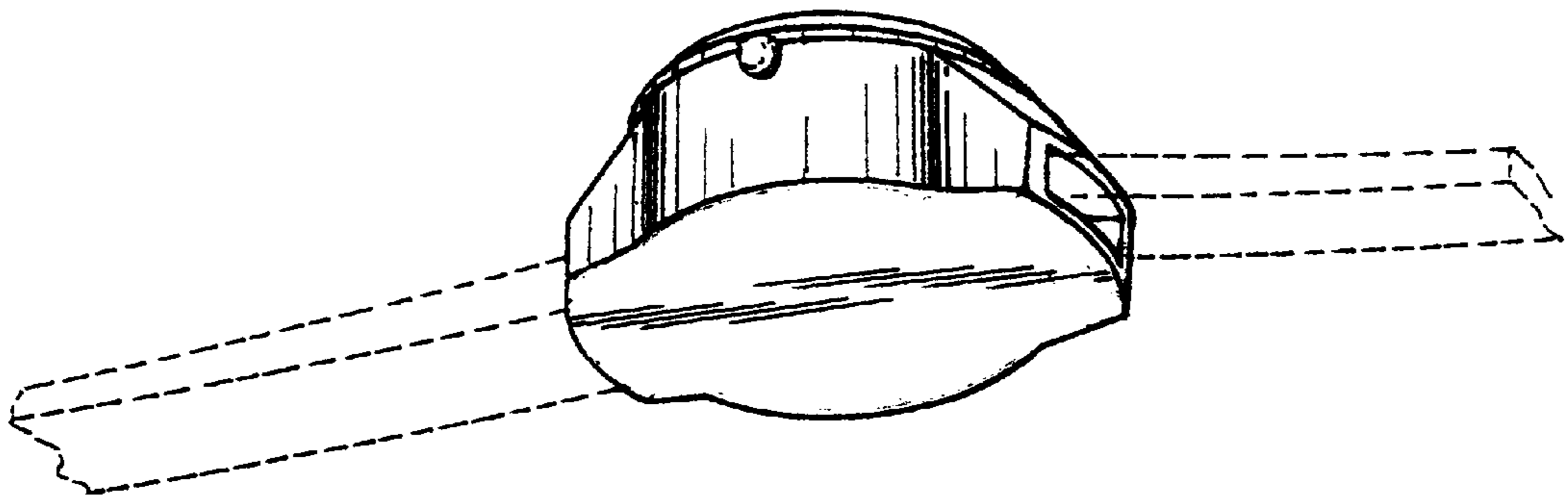


FIG.2

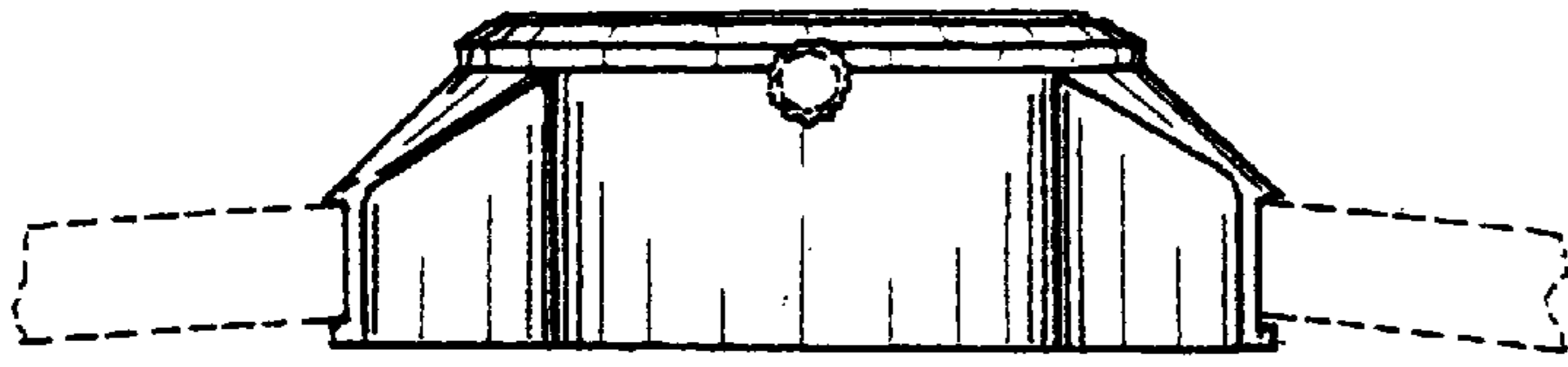


FIG. 3

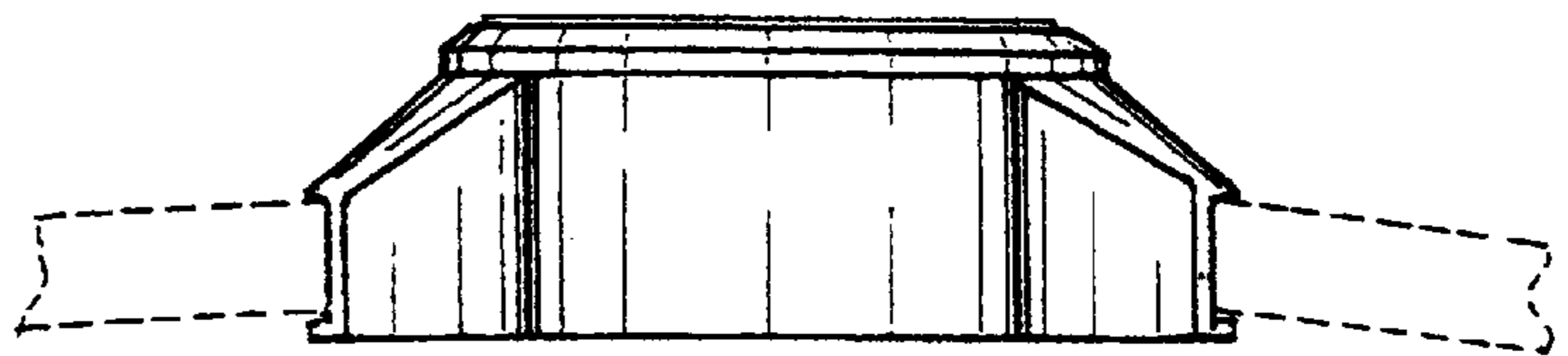


FIG. 4

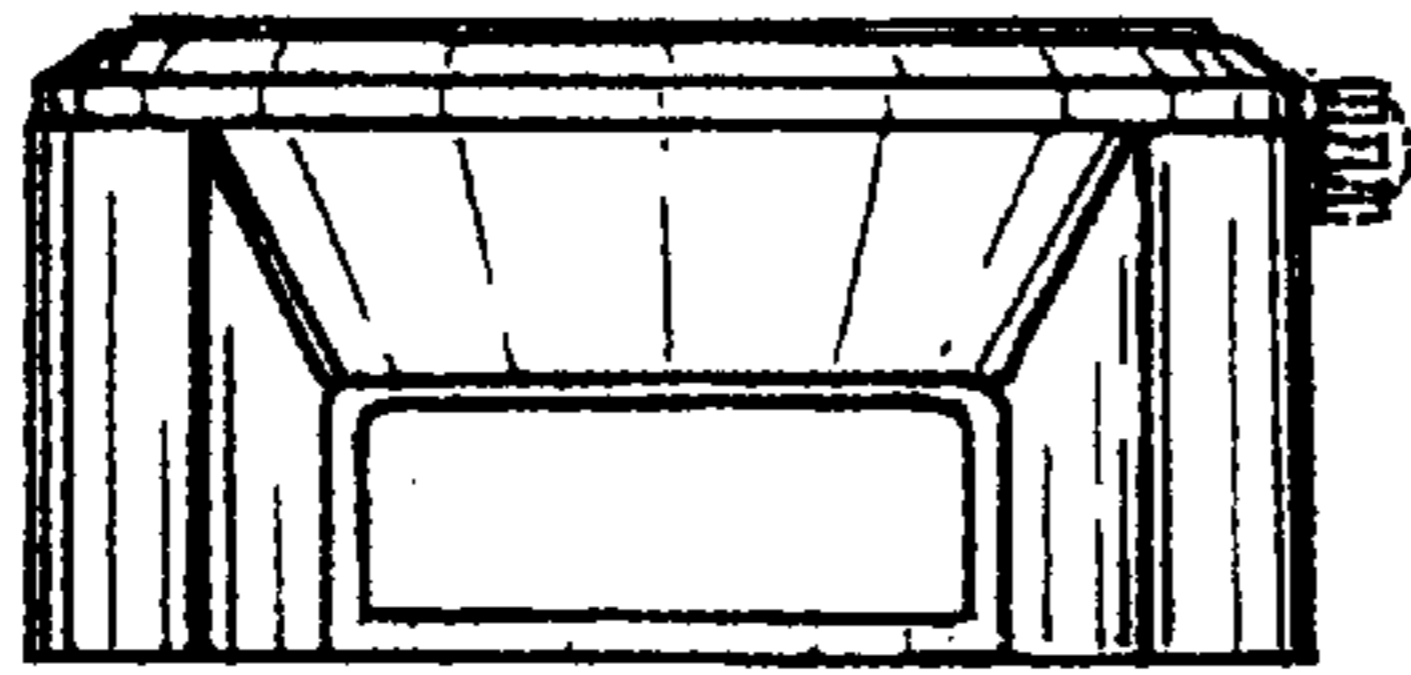


FIG. 5

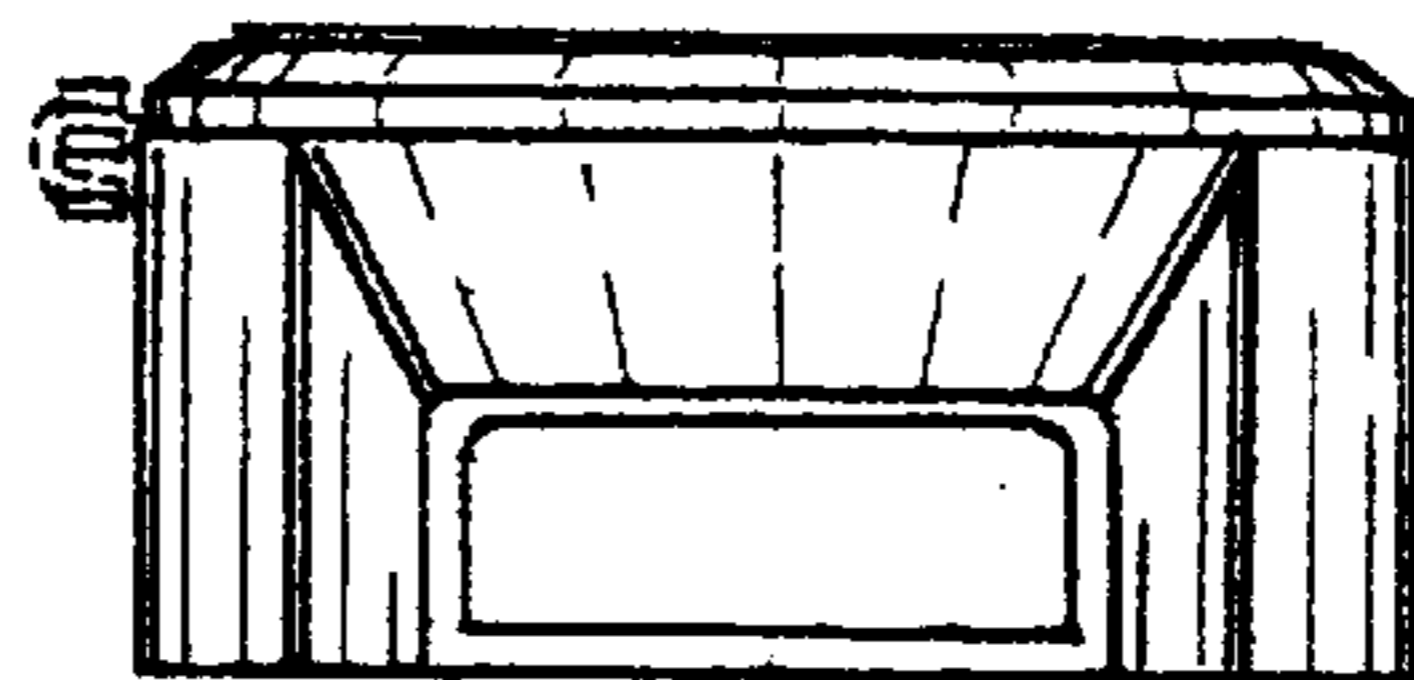


FIG. 6

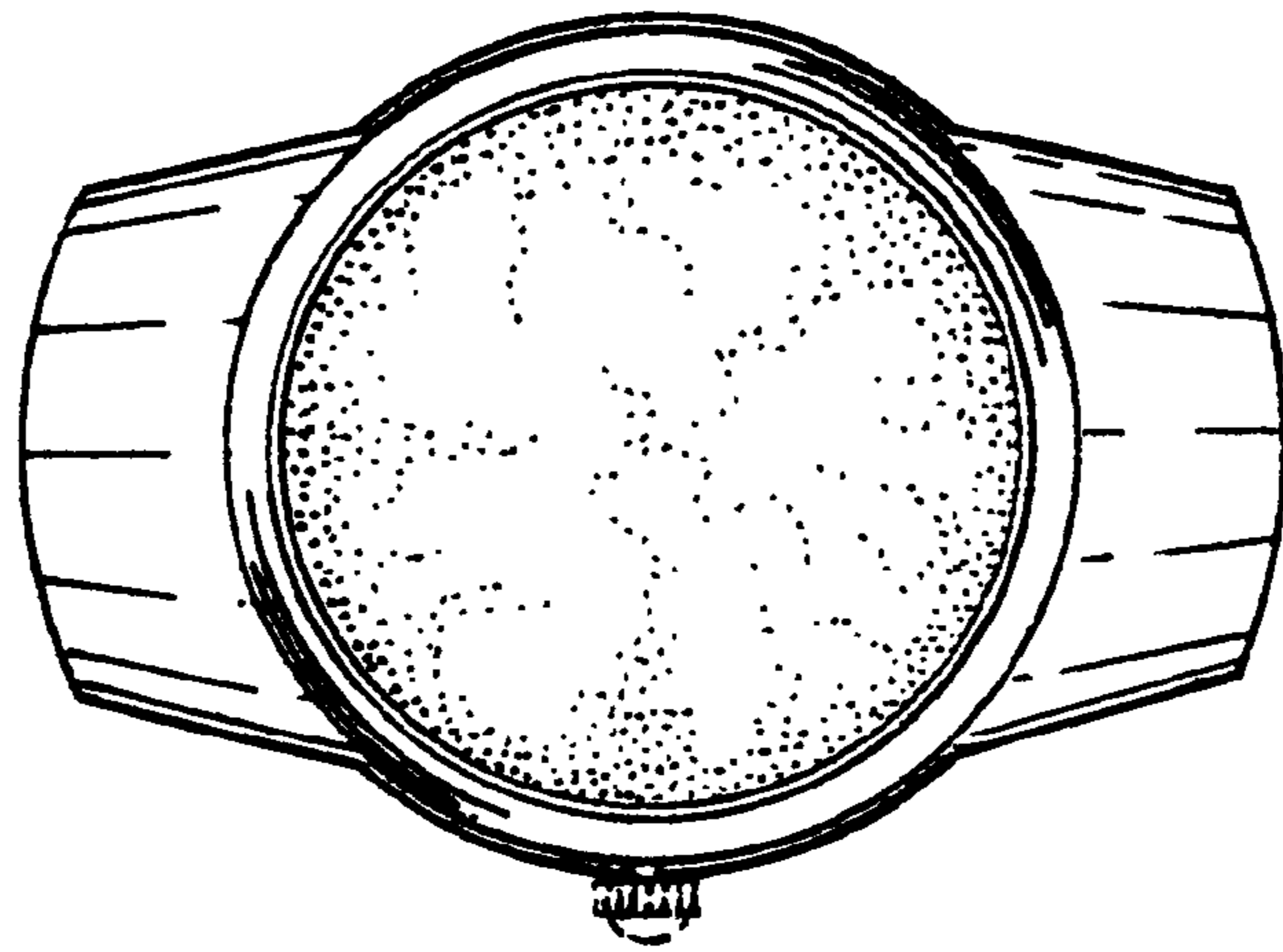


FIG. 7

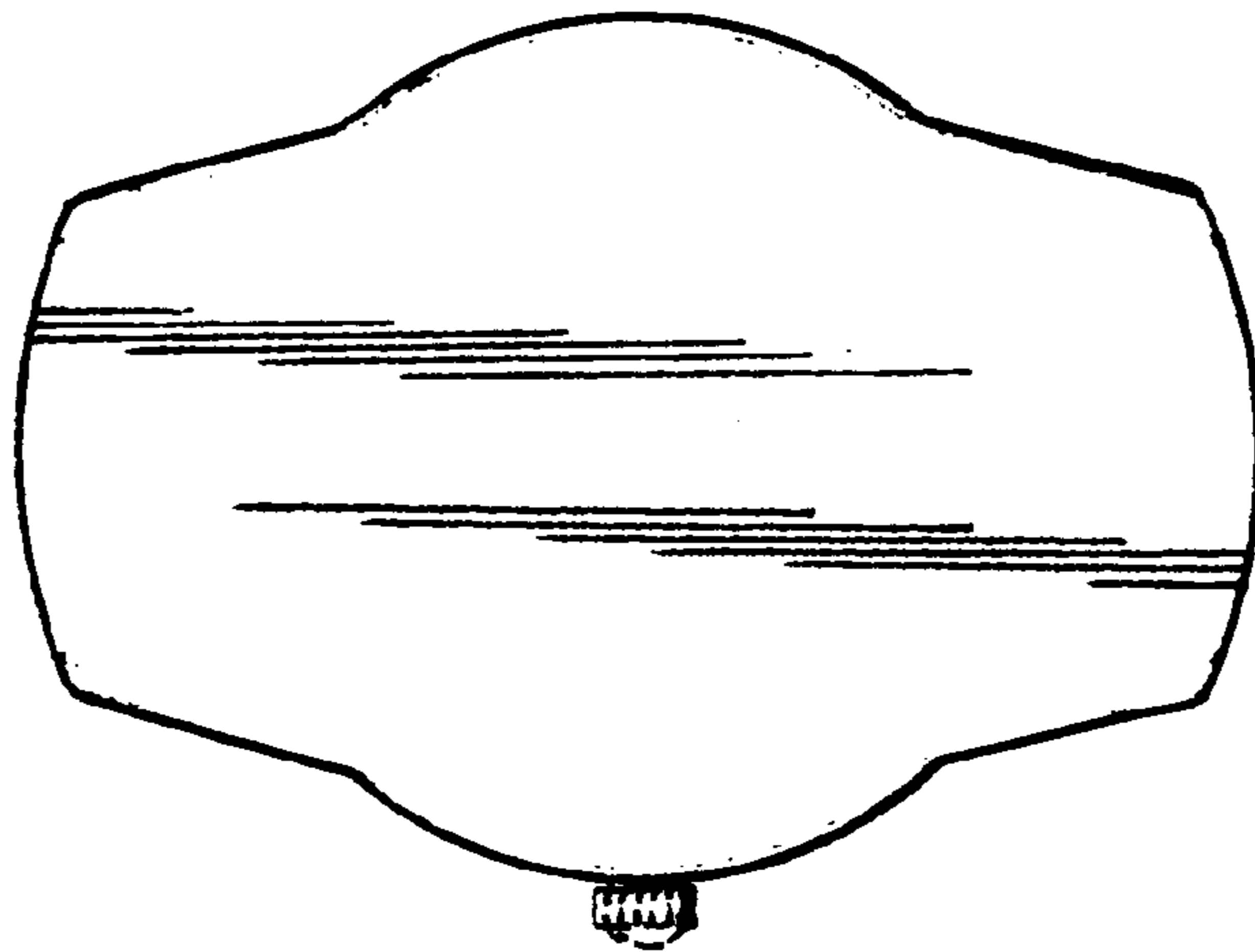


FIG. 8