



US00D458137S

(12) **United States Design Patent**  
**Bakic**

(10) **Patent No.:** **US D458,137 S**

(45) **Date of Patent:** **\*\* Jun. 4, 2002**

(54) **PUMP HEAD**

(75) Inventor: **Dieter Bakic**, Milan (IT)

(73) Assignee: **Dieter Bakic Design S.R.L.**, Milan (IT)

(\*\*) Term: **14 Years**

(21) Appl. No.: **29/143,691**

(22) Filed: **Jun. 19, 2001**

(30) **Foreign Application Priority Data**

Dec. 19, 2000 (XH) ..... DM/054 838

(51) **LOC (7) Cl.** ..... **09-07**

(52) **U.S. Cl.** ..... **D9/448**

(58) **Field of Search** ..... D9/300, 435, 447,  
D9/448; 222/153.13, 384, 321.9, 383.1,  
382, 385

(56) **References Cited**

**U.S. PATENT DOCUMENTS**

3,146,920 A \* 9/1964 Benjamin ..... 222/321.7  
D253,398 S \* 11/1979 Niemeyer et al. .... D9/448

D291,972 S \* 9/1987 Pfeiffer ..... D9/448  
D296,526 S \* 7/1988 Von Schuckmann ..... D9/448  
5,615,806 A \* 4/1997 Grothoff ..... 222/153.13  
D414,697 S \* 10/1999 Sayers ..... D9/448  
D439,842 S \* 4/2001 Garcia ..... D9/448  
D441,654 S \* 5/2001 Sayers ..... D9/448

\* cited by examiner

*Primary Examiner*—Dominic Simone

(74) *Attorney, Agent, or Firm*—Lowe Hauptman Gilman & Berner, LLP

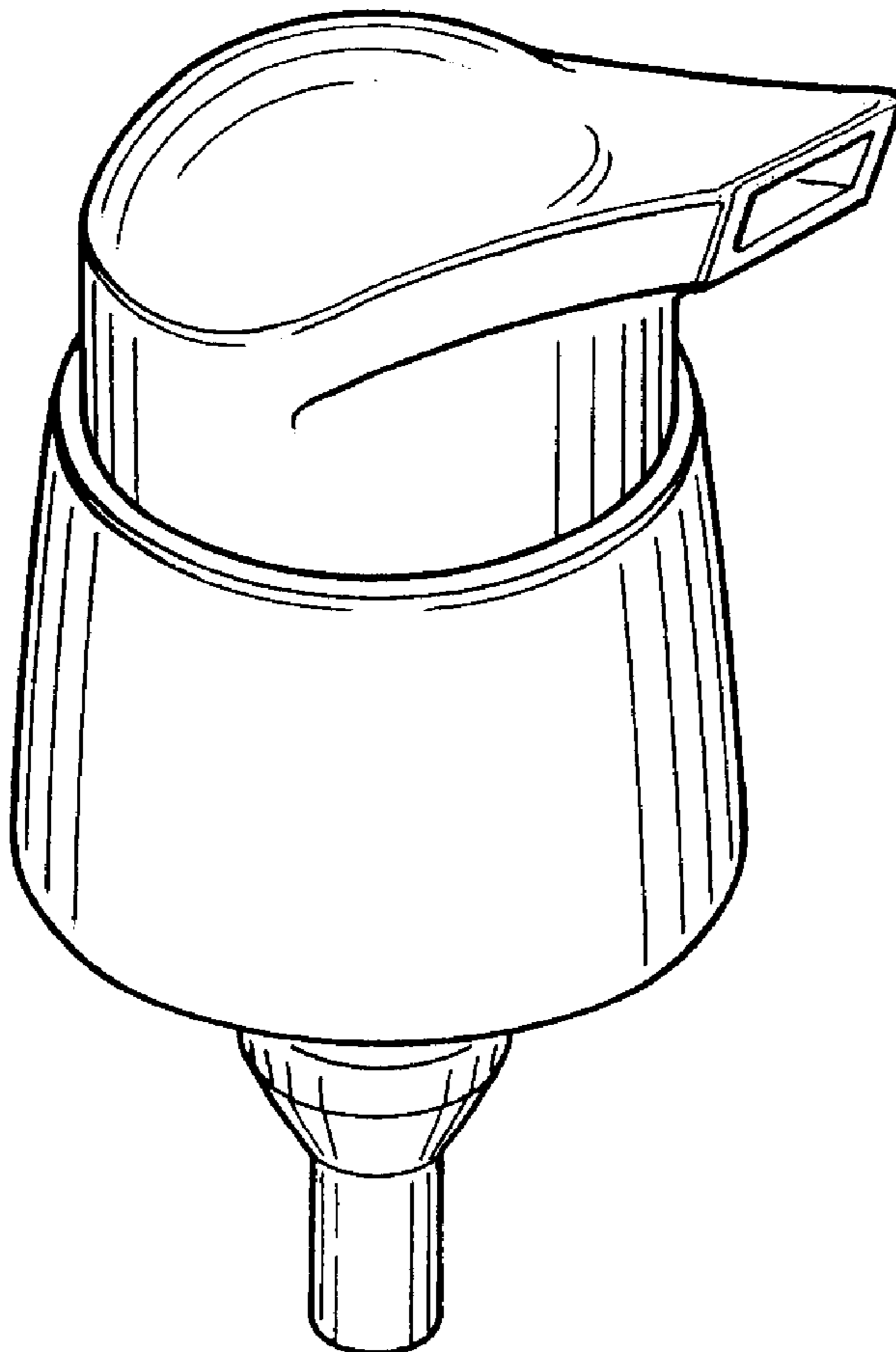
(57) **CLAIM**

A new original design for a pump head, as shown and described herein.

**DESCRIPTION**

FIG. 1 is a perspective view of a pump head;  
FIG. 2 is a right side view thereof, the opposite side being a mirror image;  
FIG. 3 is a rear view thereof;  
FIG. 4 is a top view thereof; and,  
FIG. 5 is a front view thereof.

**1 Claim, 2 Drawing Sheets**



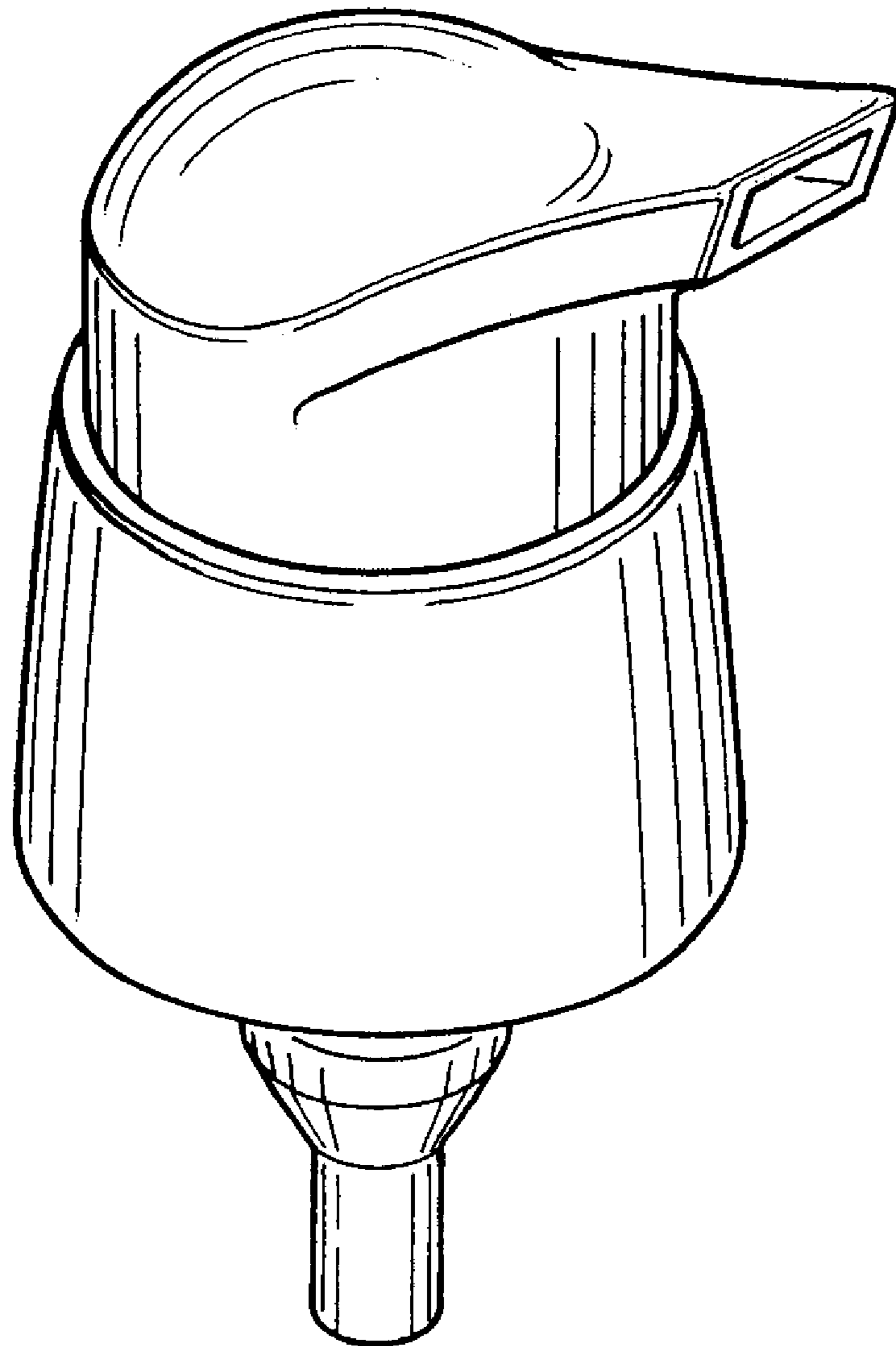


FIG. 1

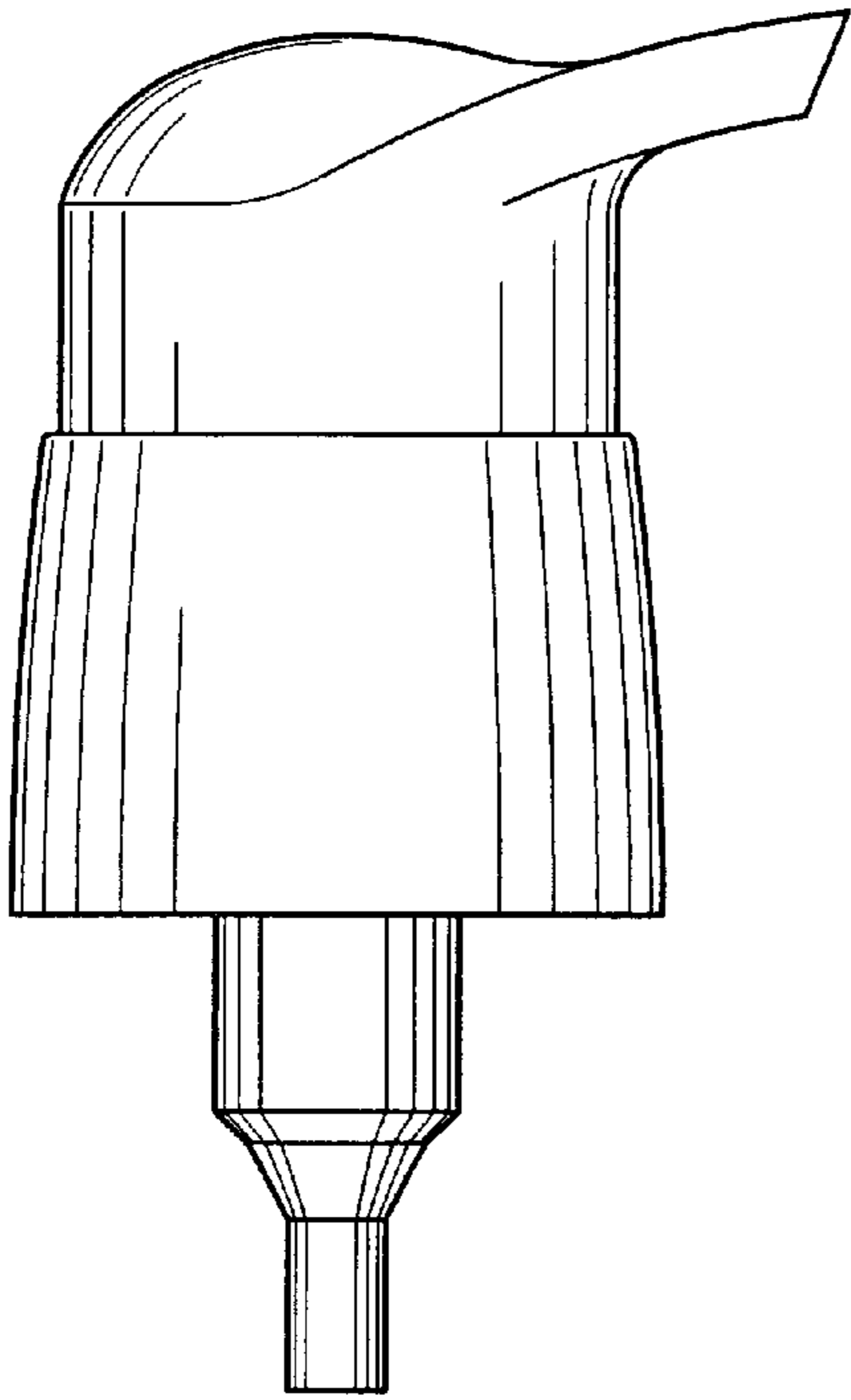


FIG.2

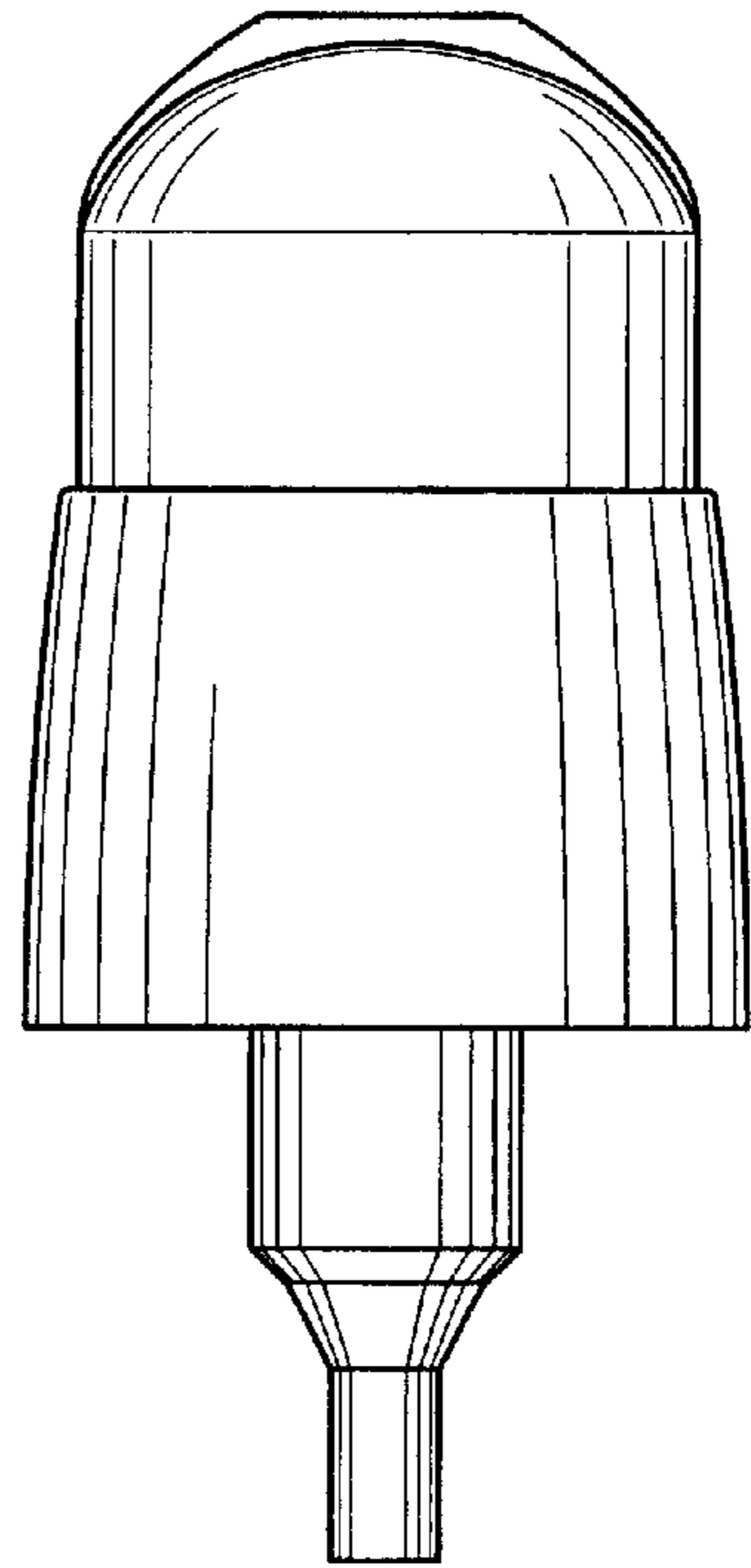


FIG.3

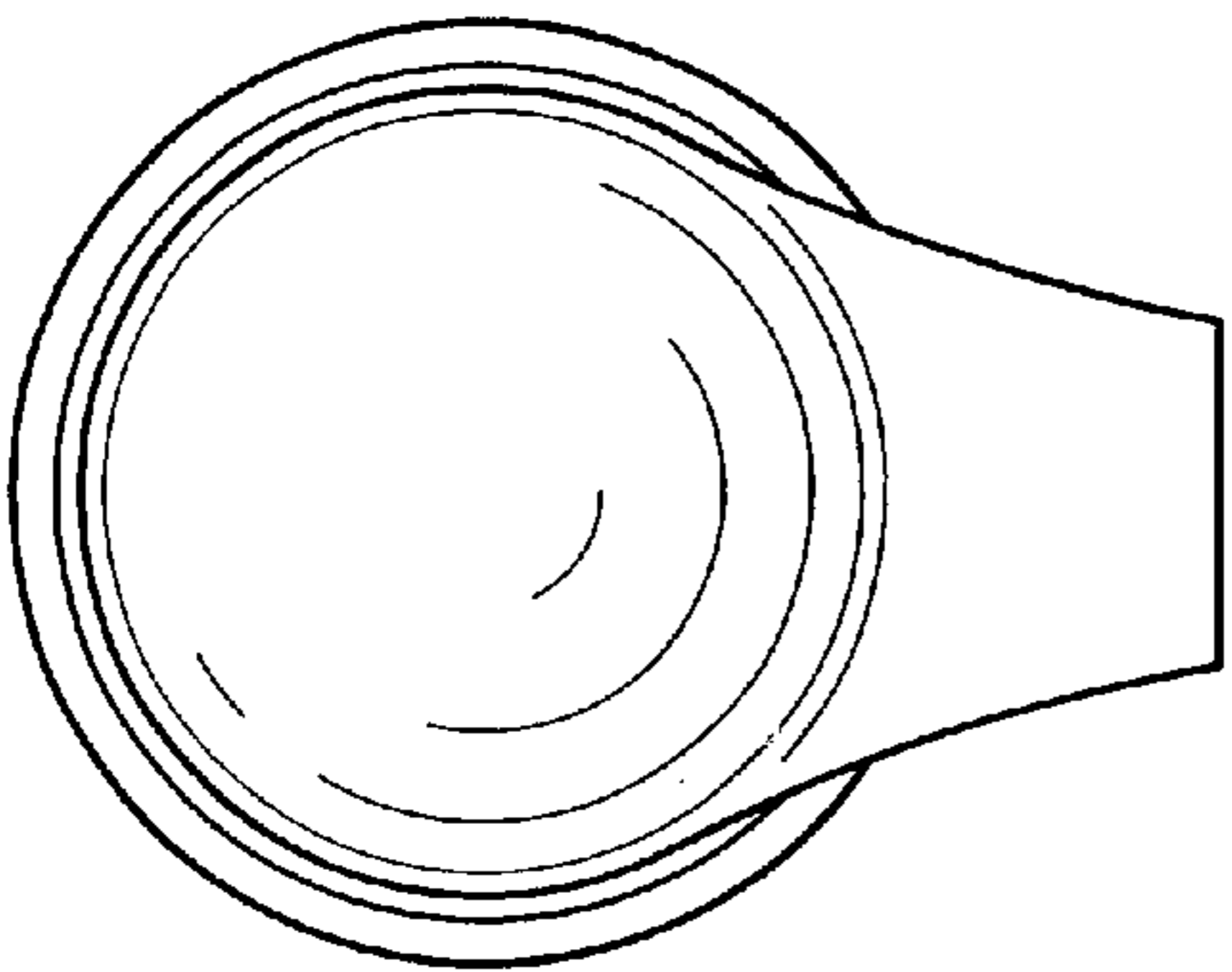


FIG.4

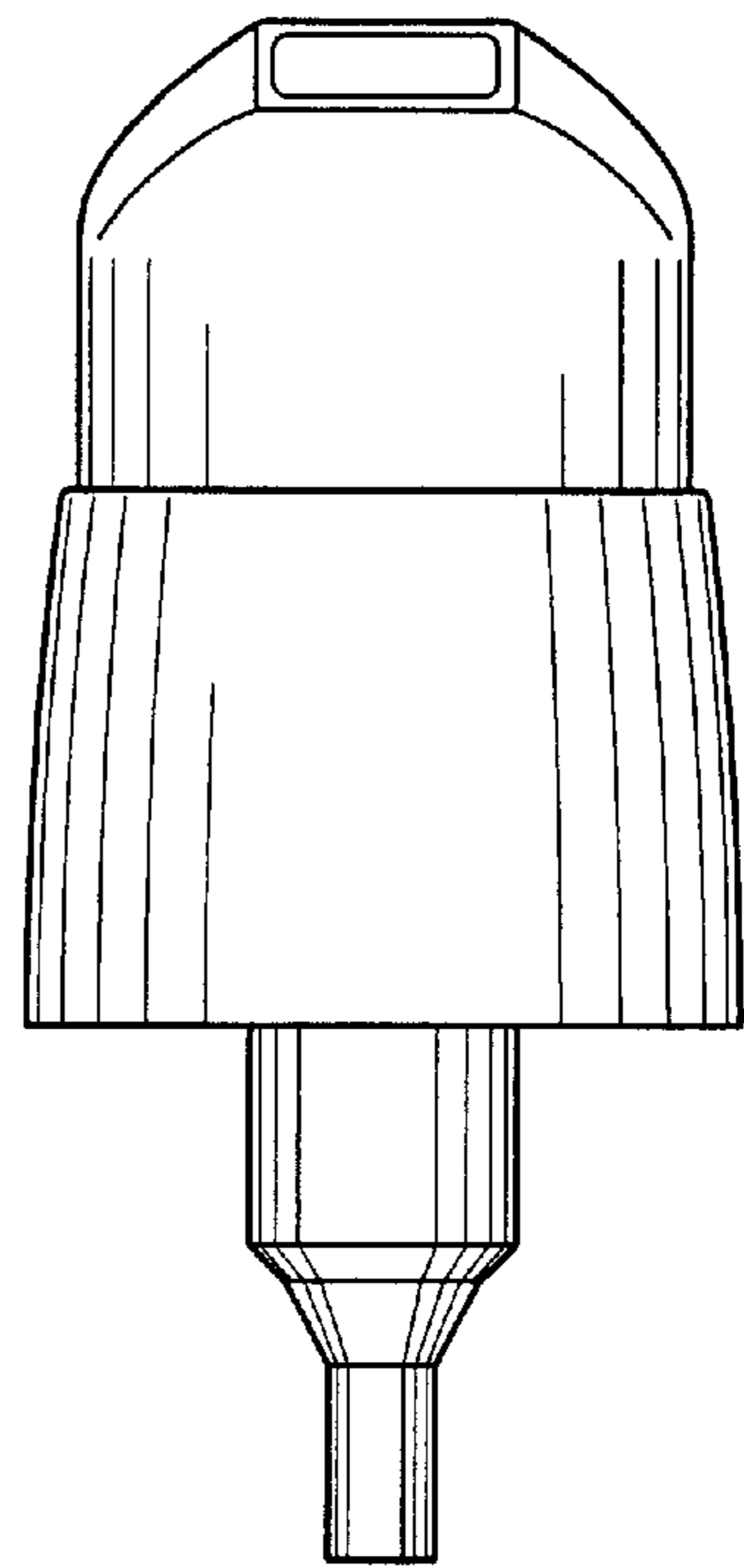


FIG.5