



US00D458136S

(12) **United States Design Patent**
Bakic

(10) **Patent No.:** **US D458,136 S**

(45) **Date of Patent:** **** Jun. 4, 2002**

(54) **PUMP HEAD**

(75) Inventor: **Dieter Bakic**, Milan (IT)

(73) Assignee: **Dieter Bakic Design s.r.l.**, Milan (IT)

(**) Term: **14 Years**

(21) Appl. No.: **29/143,686**

(22) Filed: **Jun. 19, 2001**

(30) **Foreign Application Priority Data**

Dec. 19, 2000 (XH) DM/054 838

(51) **LOC (7) Cl.** **09-07**

(52) **U.S. Cl.** **D9/448**

(58) **Field of Search** D9/300, 435, 447,
D9/448; 222/153.13, 384, 321.9, 383.1,
382, 385

(56) **References Cited**

U.S. PATENT DOCUMENTS

3,146,920 A * 9/1964 Benjamin 222/321.7
D253,398 S * 11/1979 Niemeyer et al. D9/448
D291,972 S * 9/1987 Pfeiffer D9/448

D296,526 S * 7/1988 Von Schuckmann D9/448
5,615,806 A * 4/1997 Grothoff 222/153.13
D414,697 S * 10/1999 Sayers D9/448
D439,842 S * 4/2001 Garcia D9/448
D441,654 S * 5/2001 Sayers D9/448

* cited by examiner

Primary Examiner—Dominic Simone

(74) *Attorney, Agent, or Firm*—Lowe Hauptman Gilman & Berner, LLP

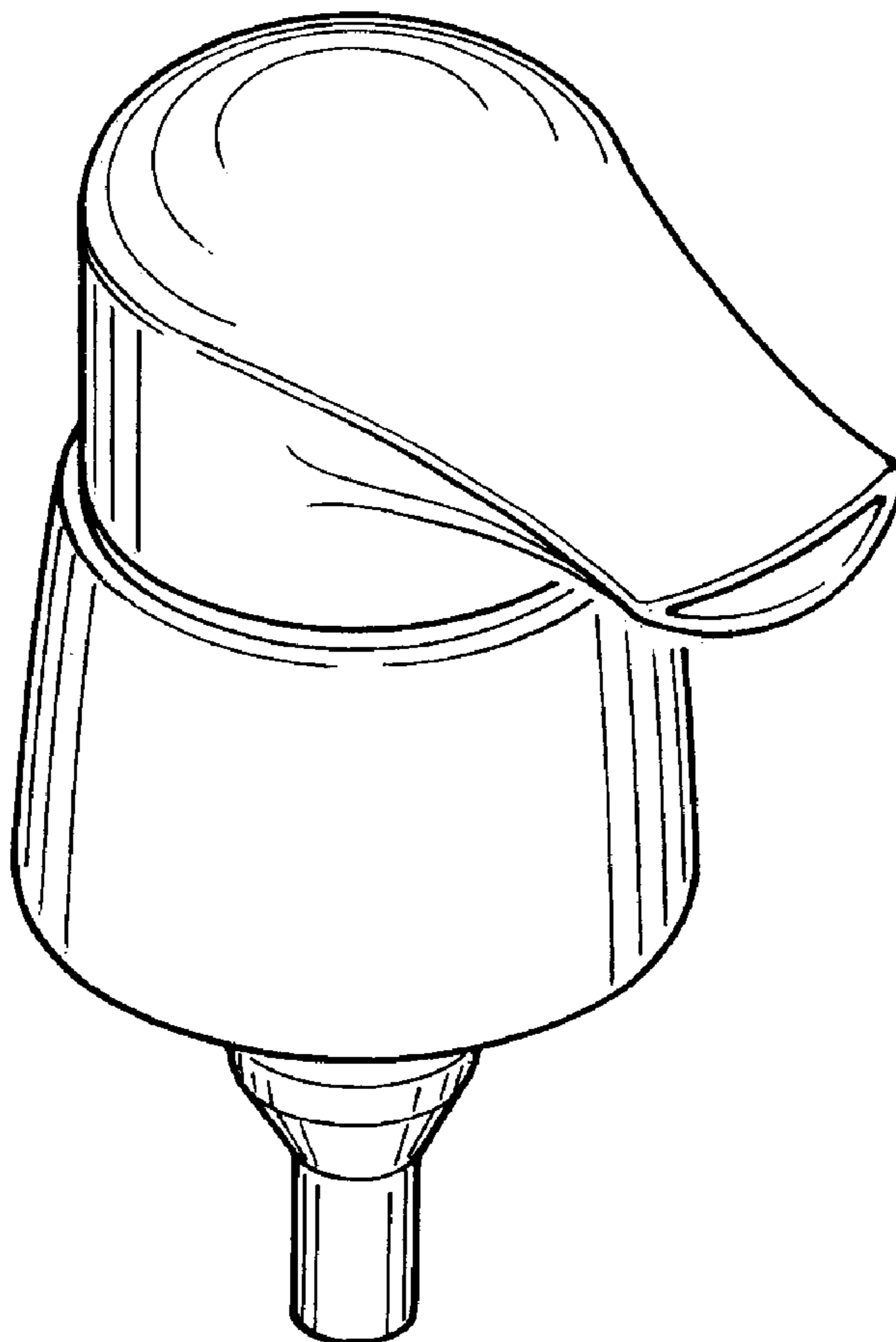
(57) **CLAIM**

A new original design for a pump head, as shown and described herein.

DESCRIPTION

FIG. 1 is a perspective view of a pump head;
FIG. 2 is a front view thereof;
FIG. 3 is a right side view thereof, the opposite side being a mirror image;
FIG. 4 is a rear view thereof; and,
FIG. 5 is a top view thereof.

1 Claim, 2 Drawing Sheets



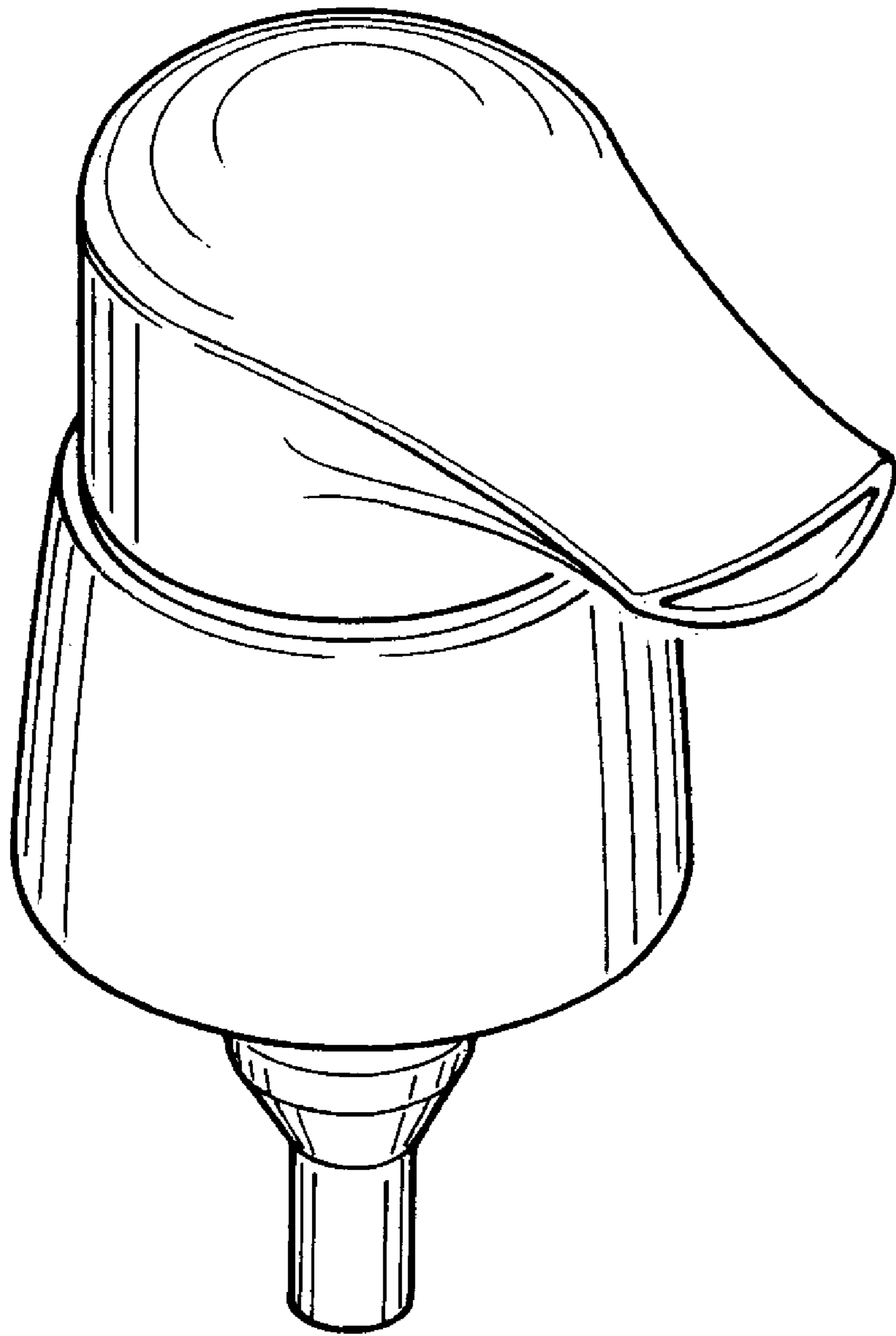


FIG.1

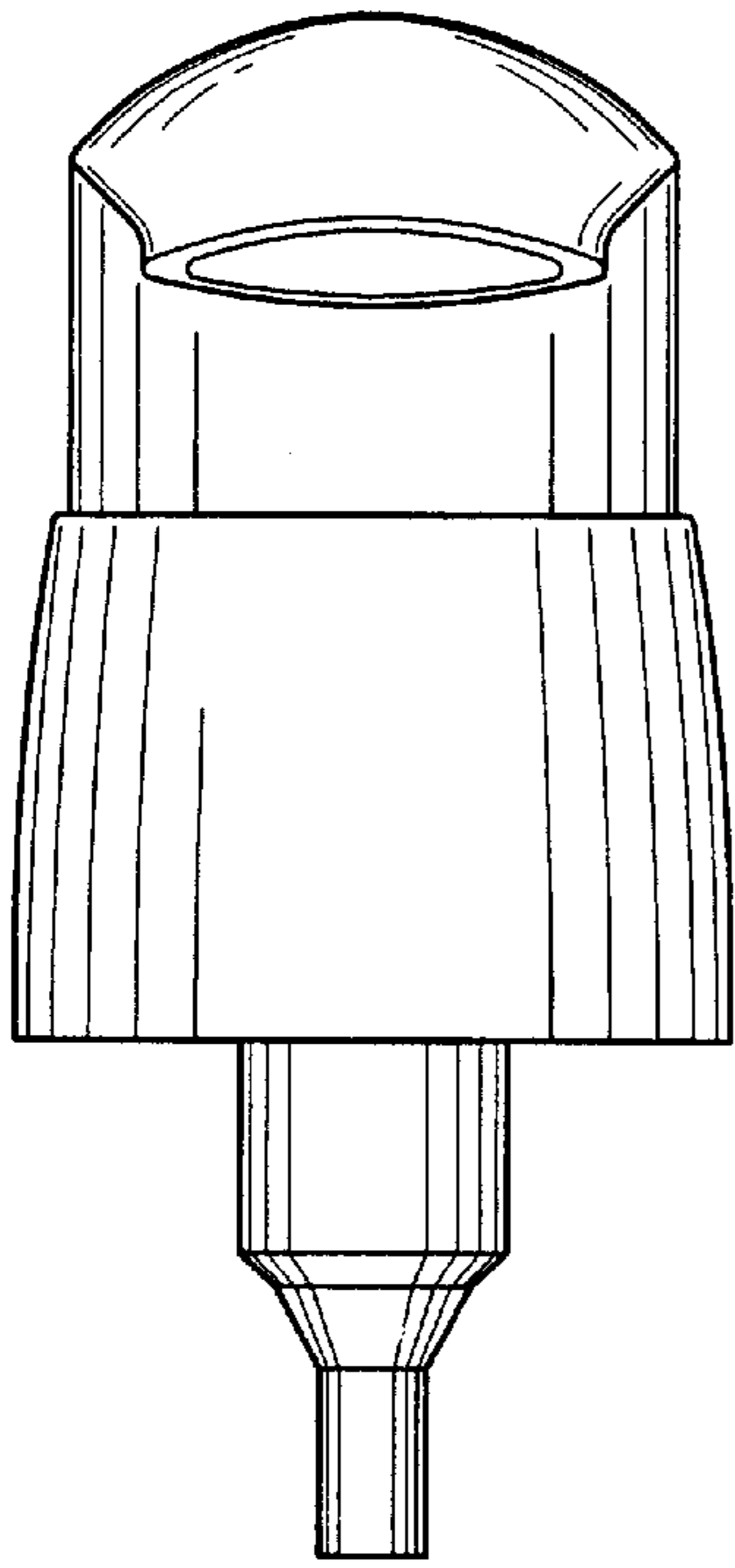


FIG. 2

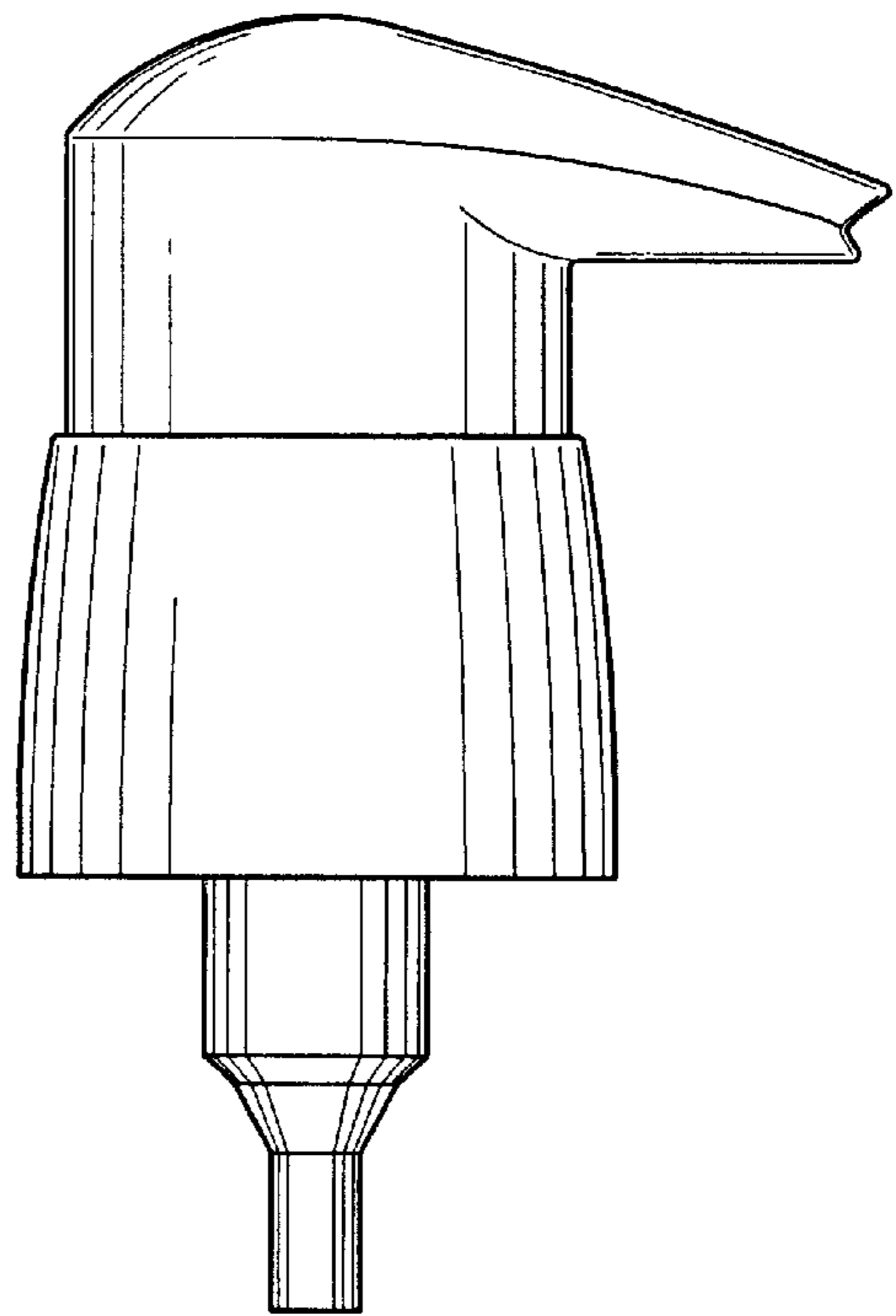


FIG. 3

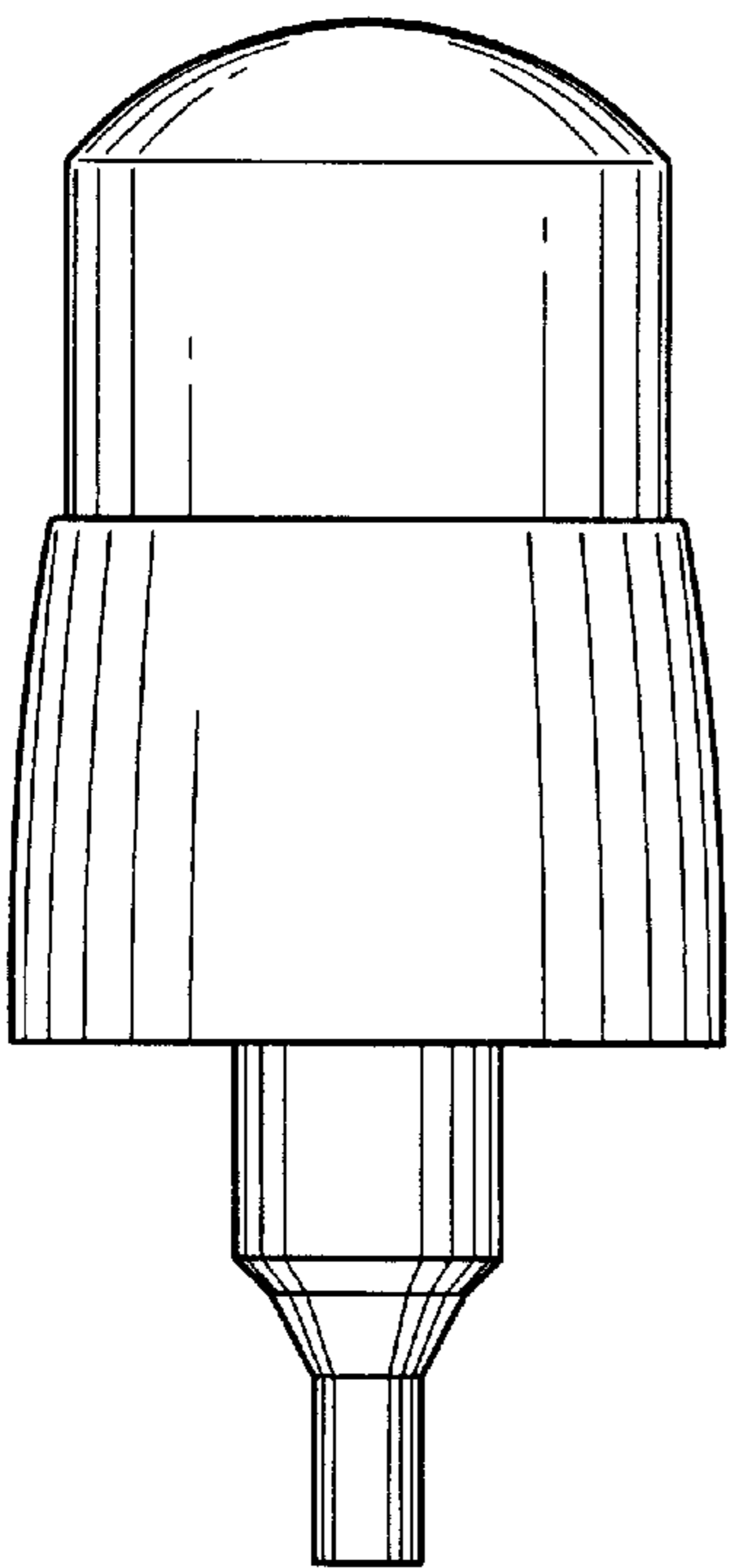


FIG. 4

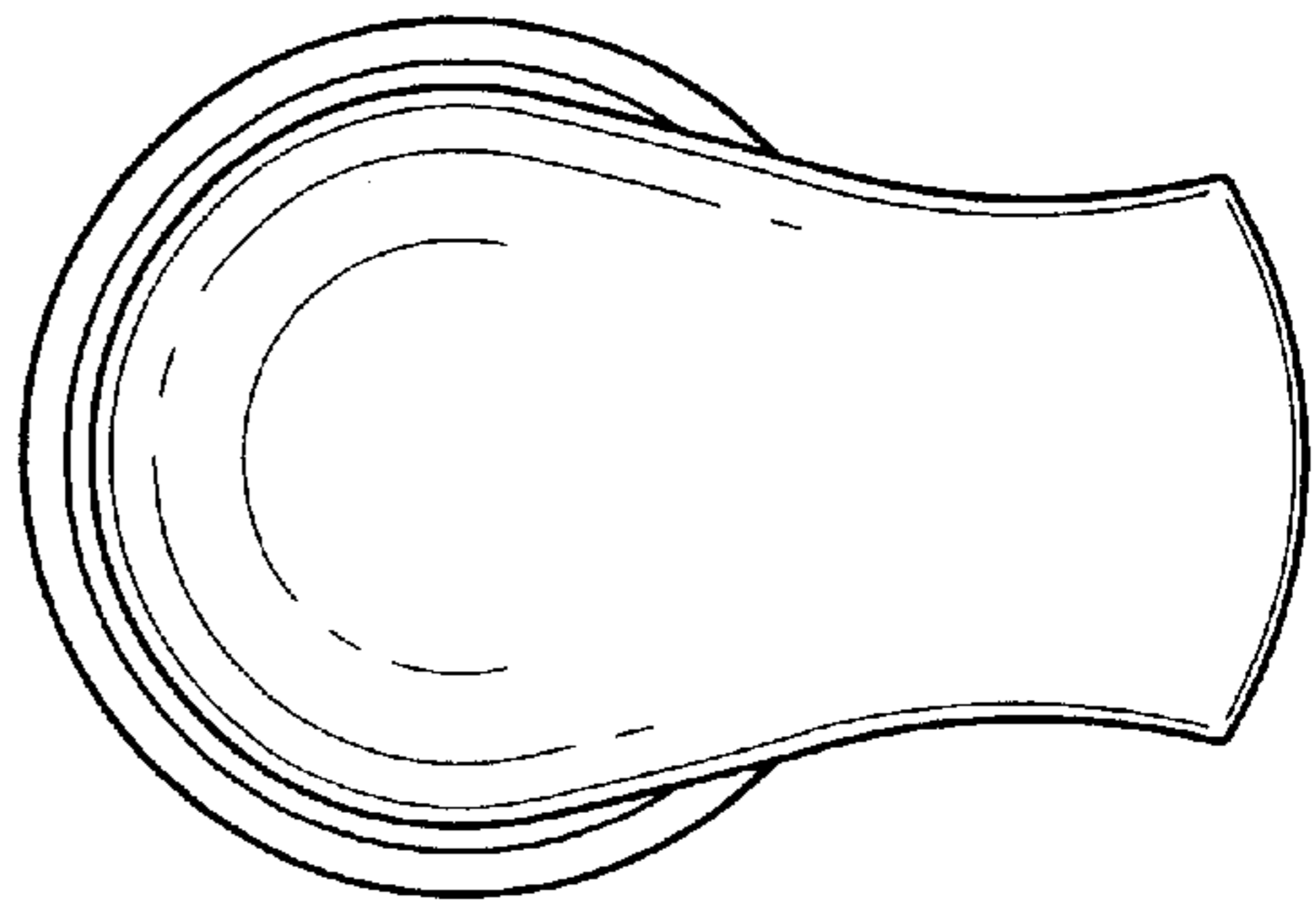


FIG. 5