



US00D458135S

(12) **United States Design Patent**
Hierzer

(10) **Patent No.:** **US D458,135 S**

(45) **Date of Patent:** **** Jun. 4, 2002**

(54) **PLASTIC CLOSURE**

(75) **Inventor:** **Valentin Hierzer**, Arlington Heights, IL (US)

(73) **Assignee:** **Crown Cork & Seal Technologies Corporation**, Alsip, IL (US)

(**) **Term:** **14 Years**

(21) **Appl. No.:** **29/143,497**

(22) **Filed:** **Jun. 14, 2001**

(51) **LOC (7) Cl.** **09-07**

(52) **U.S. Cl.** **D9/446**

(58) **Field of Search** D9/435, 446, 447,
D9/449; 220/256, 259, 810, 837, 375; 222/545,
562

(56) **References Cited**

U.S. PATENT DOCUMENTS

D187,757 S	*	4/1960	Mart	D9/446
3,160,327 A	*	12/1964	Porcelli	220/256 X
3,404,816 A	*	10/1968	Weber	222/545
D364,810 S	*	12/1995	Meisner	D9/446
5,588,550 A		12/1996	Meyer		
5,769,263 A		6/1998	Willingham et al.		

D404,646 S	*	1/1999	Black, Sr. et al.	D9/446
D406,238 S	*	3/1999	Voller	D9/446
5,934,515 A		8/1999	Bennett		
D417,339 S	*	12/1999	Miller	D9/446 X
D422,503 S	*	4/2000	Lehn	D9/446 X
D424,440 S	*	5/2000	Wilkinson et al.	D9/446

* cited by examiner

Primary Examiner—Dominic Simone

(74) *Attorney, Agent, or Firm*—Knoble & Yoshida, LLC

(57) **CLAIM**

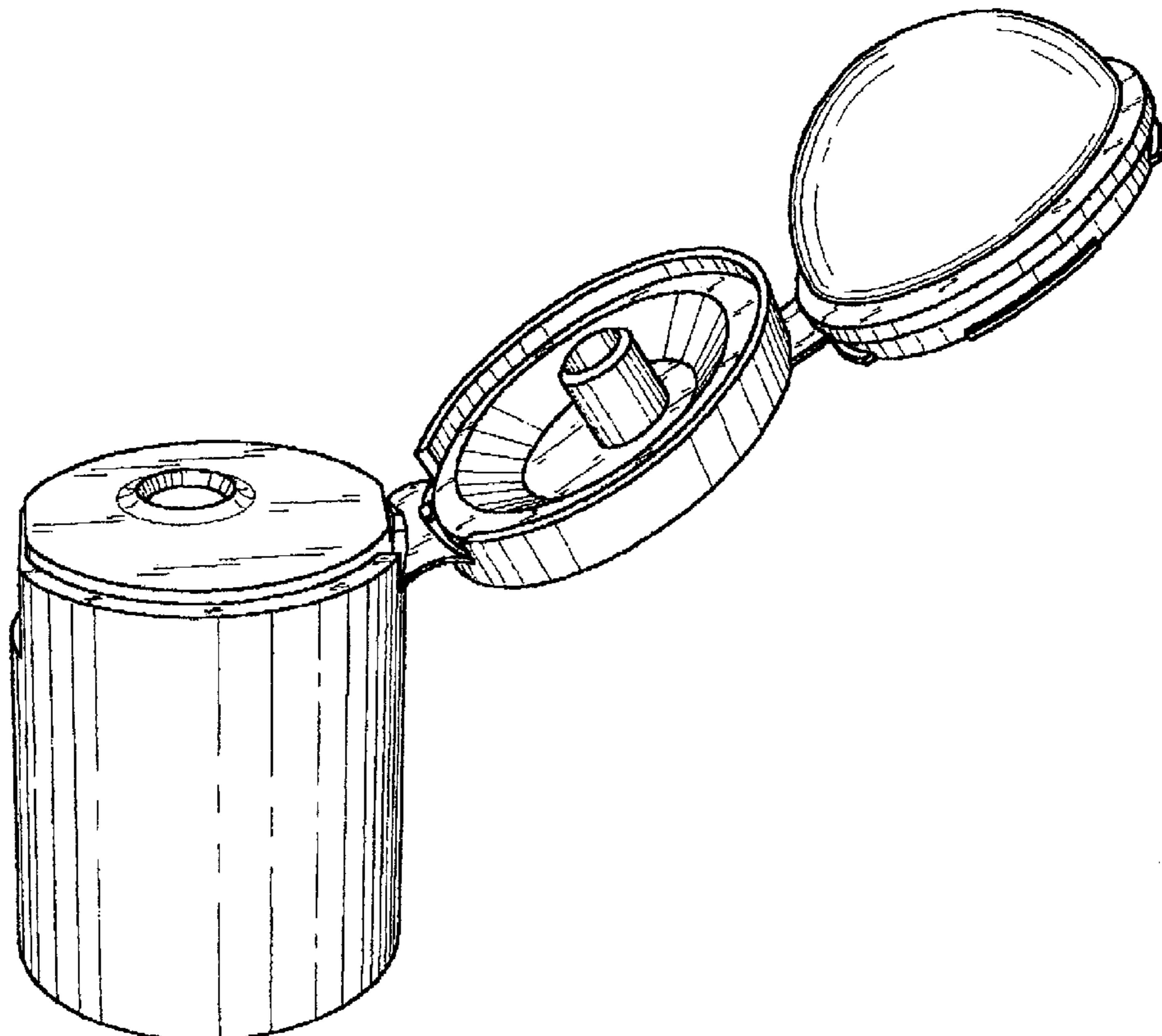
The ornamental design for a “plastic closure,” as shown and described.

DESCRIPTION

FIG. 1 is a perspective view showing a preferred embodiment of my new design;
FIG. 2 is a front elevational view;
FIG. 3 is a rear elevational view;
FIG. 4 is a first side elevational view;
FIG. 5 is a second side elevationAL view;
FIG. 6 is a top plan view; and,
FIG. 7 is a bottom plan view.

Any broken lines in the drawings depict probable environment only and form no part of the claimed design.

1 Claim, 4 Drawing Sheets



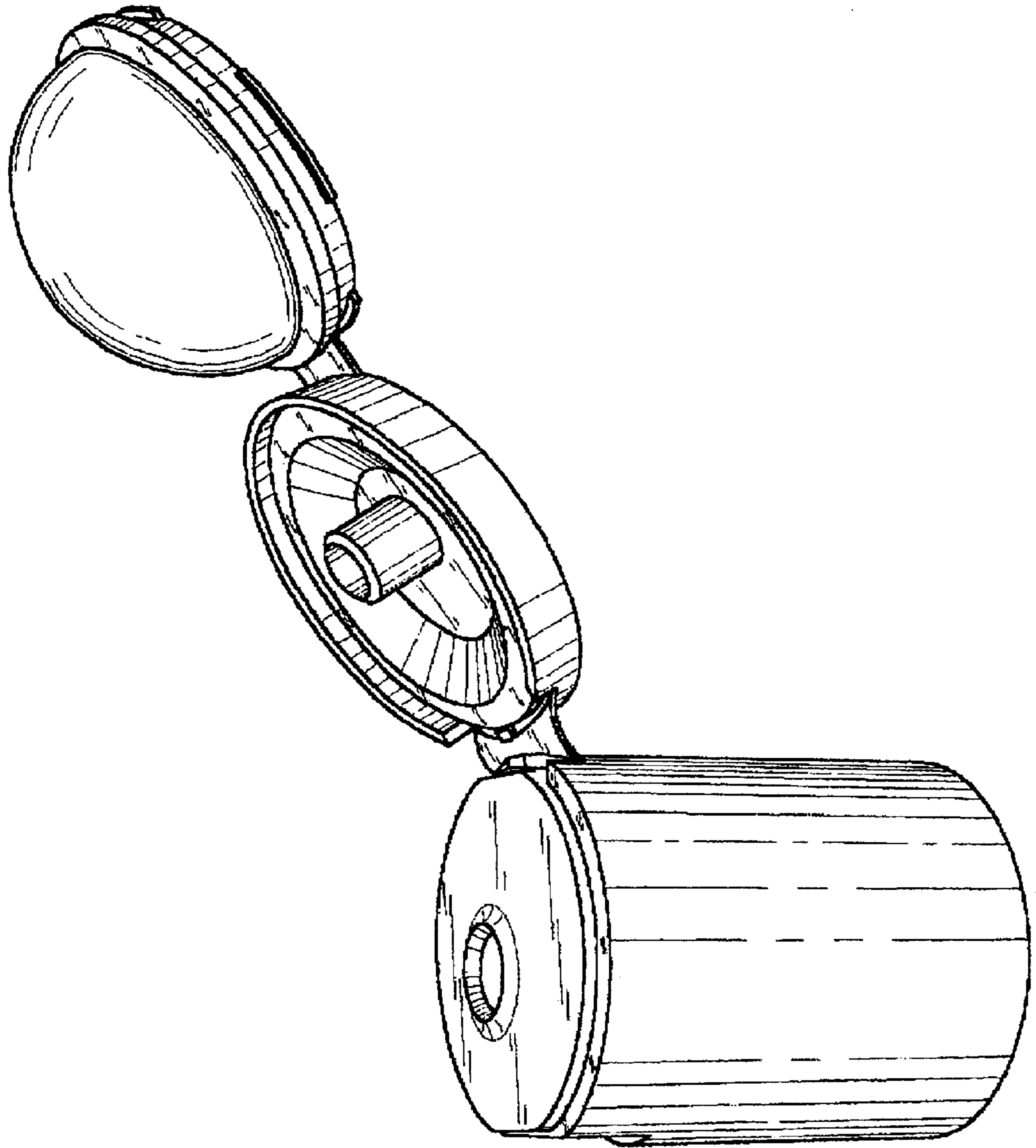


FIG. 1

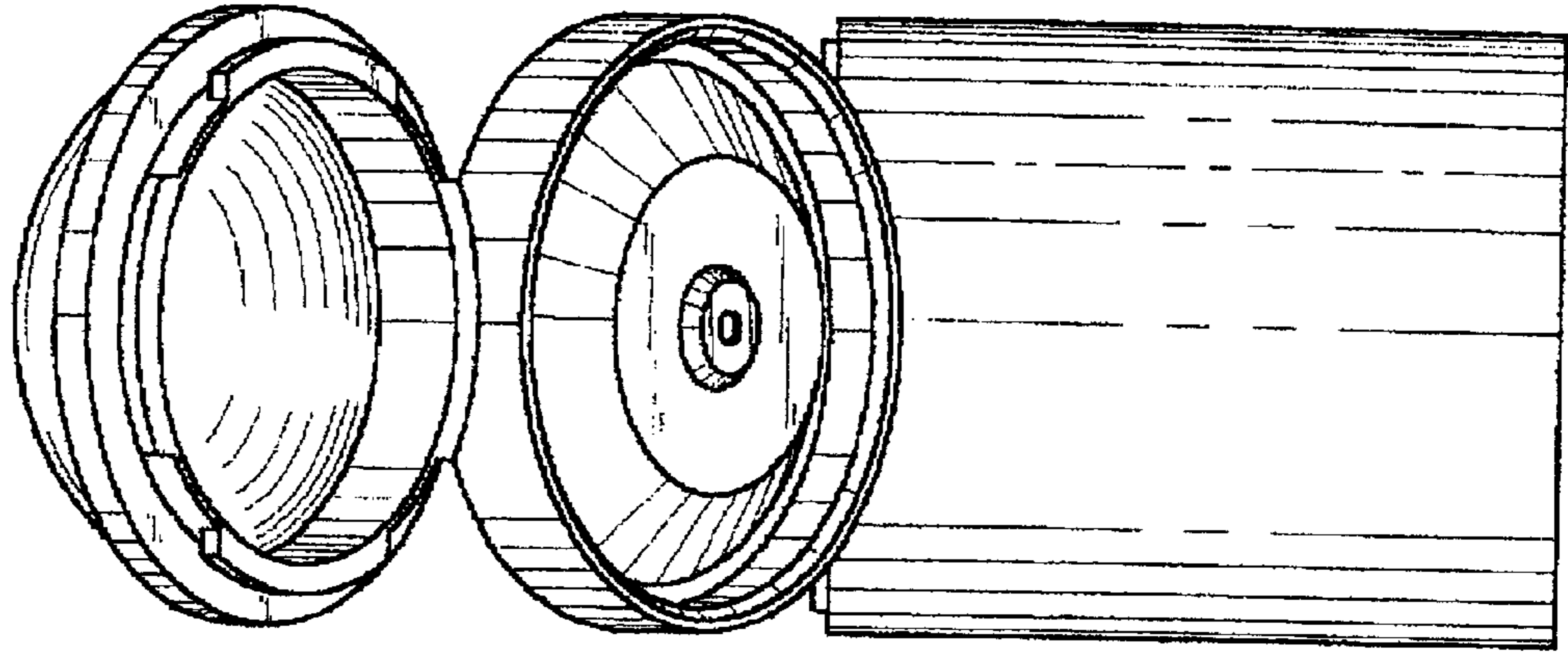


FIG. 3

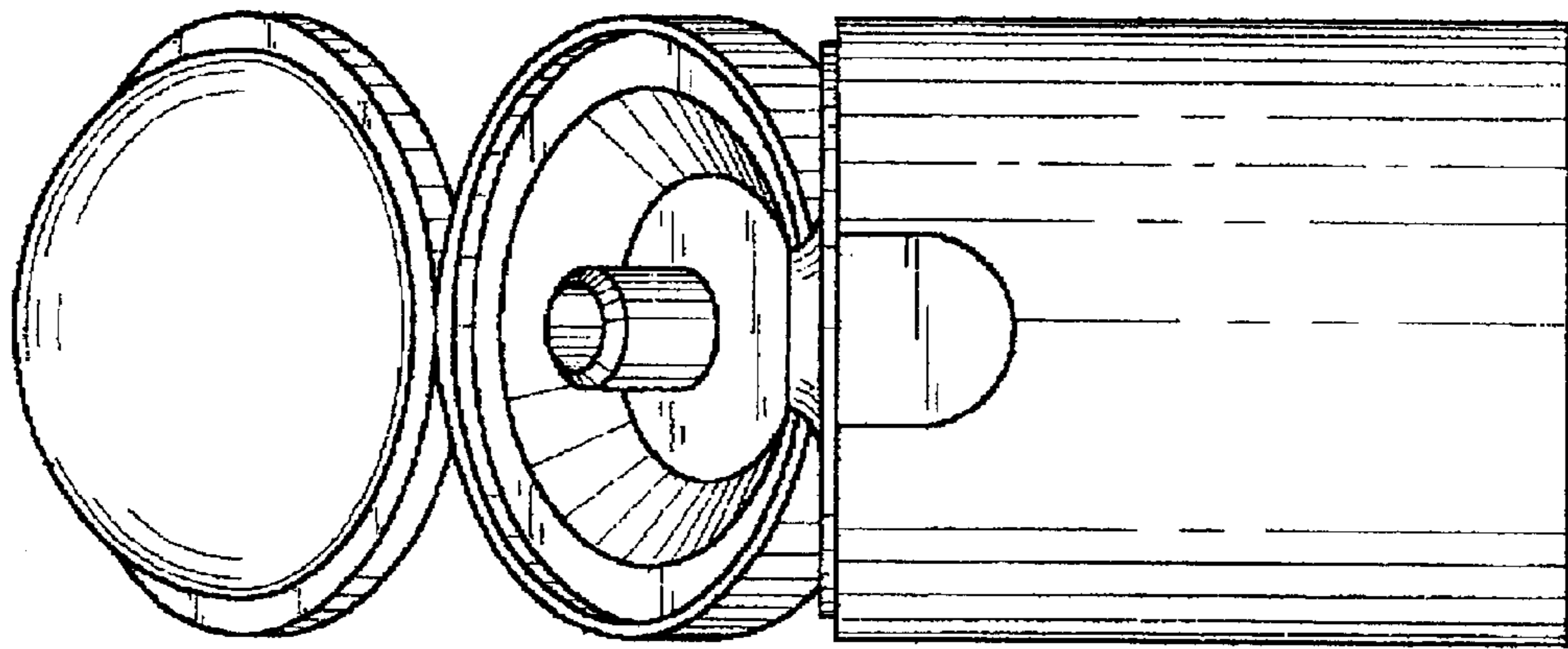


FIG. 2

FIG. 5

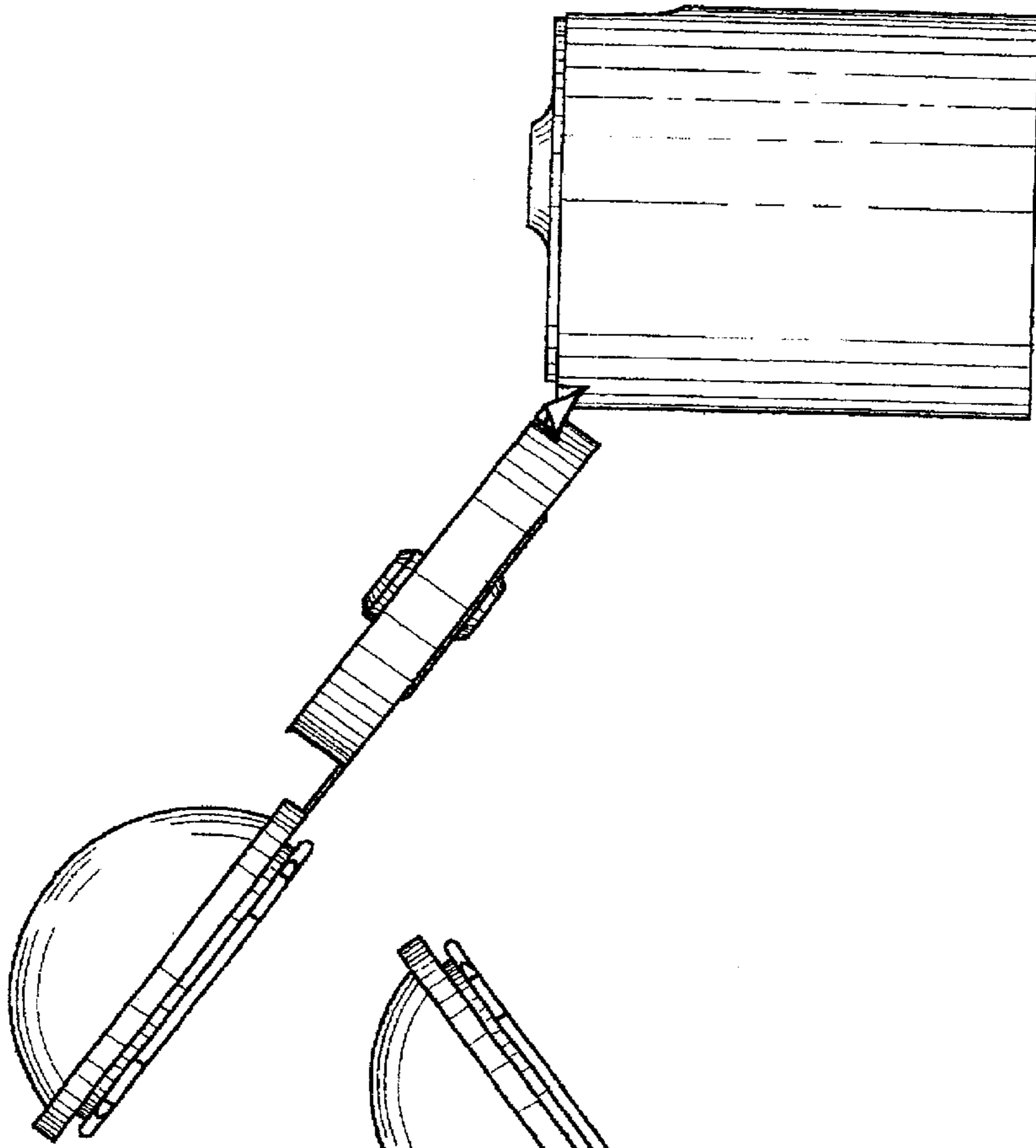


FIG. 4

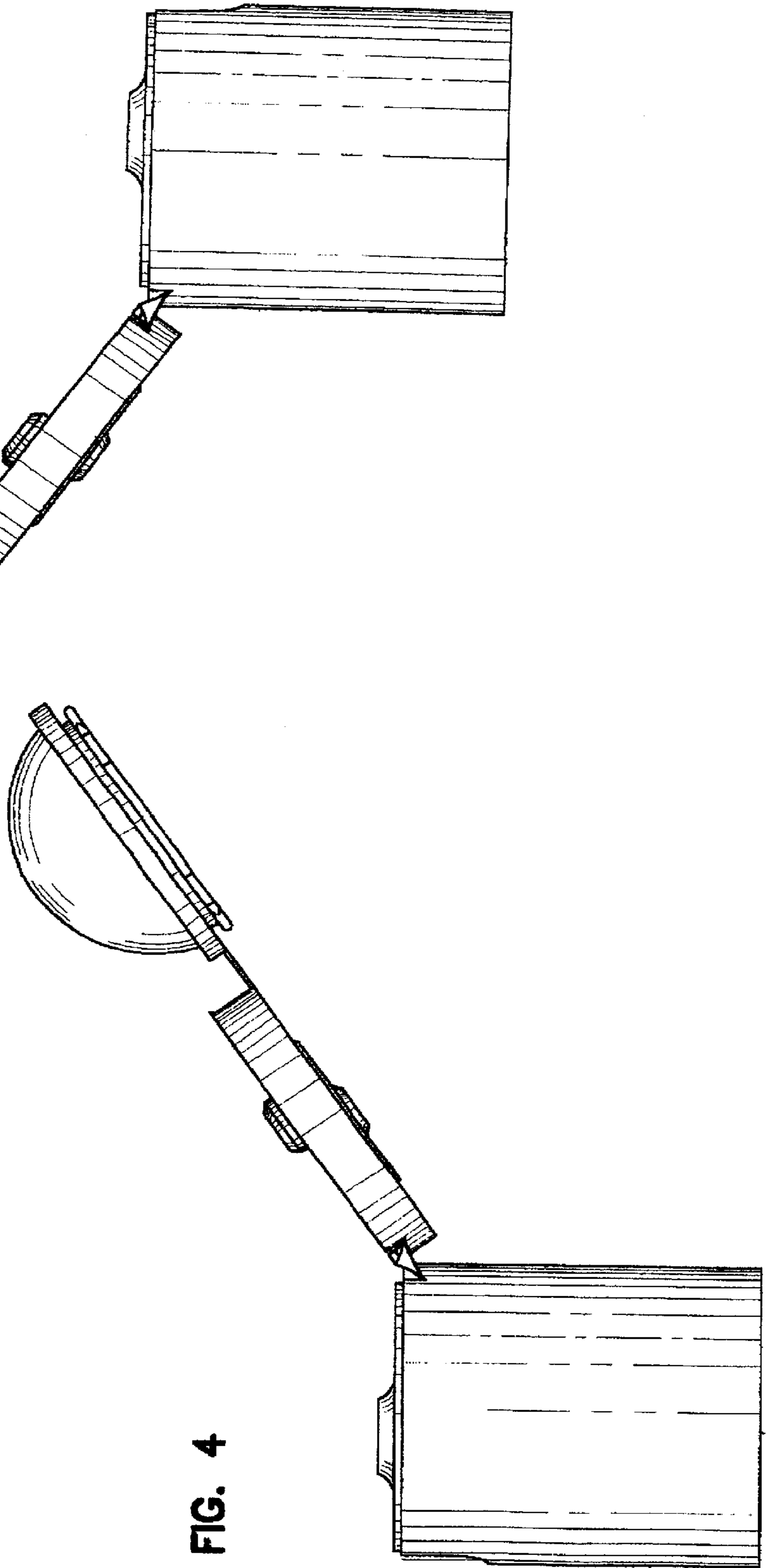


FIG. 7

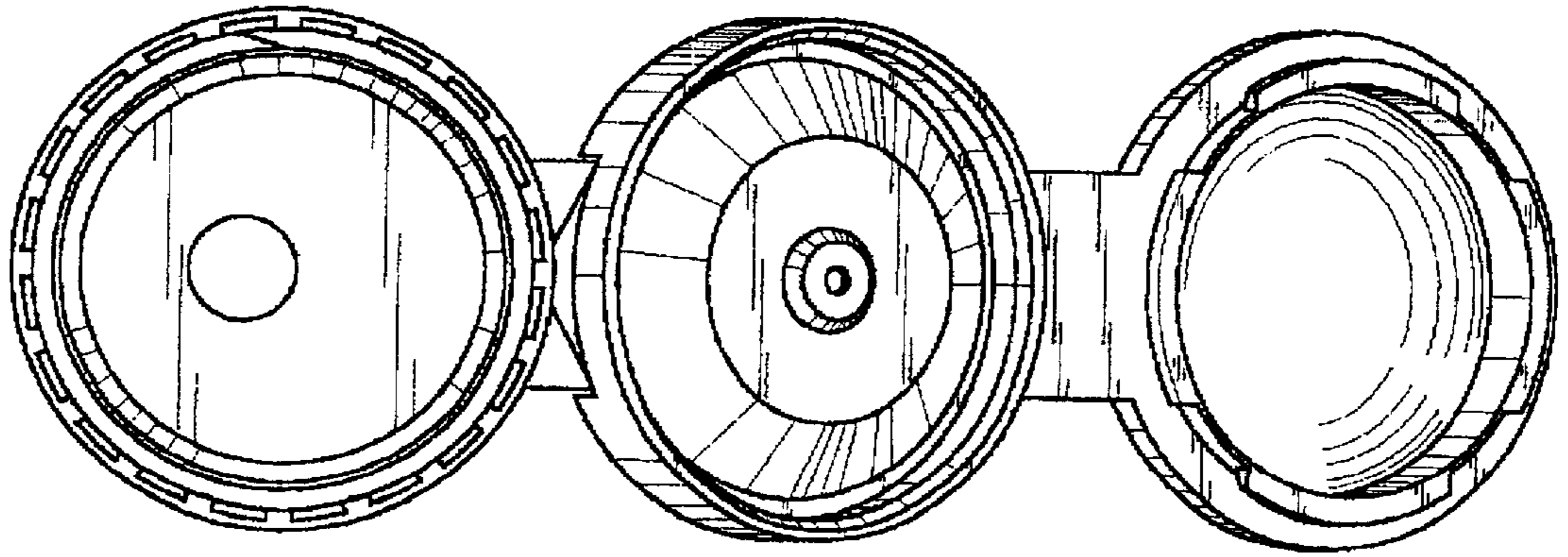


FIG. 6

