



US00D458134S

(12) **United States Design Patent**
Berish et al.

(10) **Patent No.:** **US D458,134 S**

(45) **Date of Patent:** **** Jun. 4, 2002**

(54) **BOTTLE CAP**

(75) Inventors: **Brian E Berish**, Chicago, IL (US);
Brett R Berish, New York, NY (US)

(73) Assignee: **Sovereign Brands, L.L.C.**, Chicago, IL (US)

(**) Term: **14 Years**

(21) Appl. No.: **29/144,637**

(22) Filed: **Jul. 6, 2001**

(51) **LOC (7) Cl.** **09-07**

(52) **U.S. Cl.** **D9/443**

(58) **Field of Search** D9/435, 443; 215/200;
220/220

(56) **References Cited**

U.S. PATENT DOCUMENTS

D3,671 S * 9/1869 Livingston D9/443

D154,378 S * 7/1949 Fuller D9/443
D155,144 S * 9/1949 Fuller D9/443
D190,204 S * 4/1961 Muller D9/443
3,495,797 A * 2/1970 Ganz D9/443 X
D422,503 S * 4/2000 Lehn D9/443
D422,916 S * 4/2000 Hermann D9/443

* cited by examiner

Primary Examiner—Dominic Simone

(57) **CLAIM**

The ornamental design of the bottle cap, as shown and described.

DESCRIPTION

FIG. 1 is a top perspective of the bottle cap showing new design;
FIG. 2 is a top plan view thereof; and,
FIG. 3 is a front elevation view thereof, the rear being identical.

1 Claim, 1 Drawing Sheet

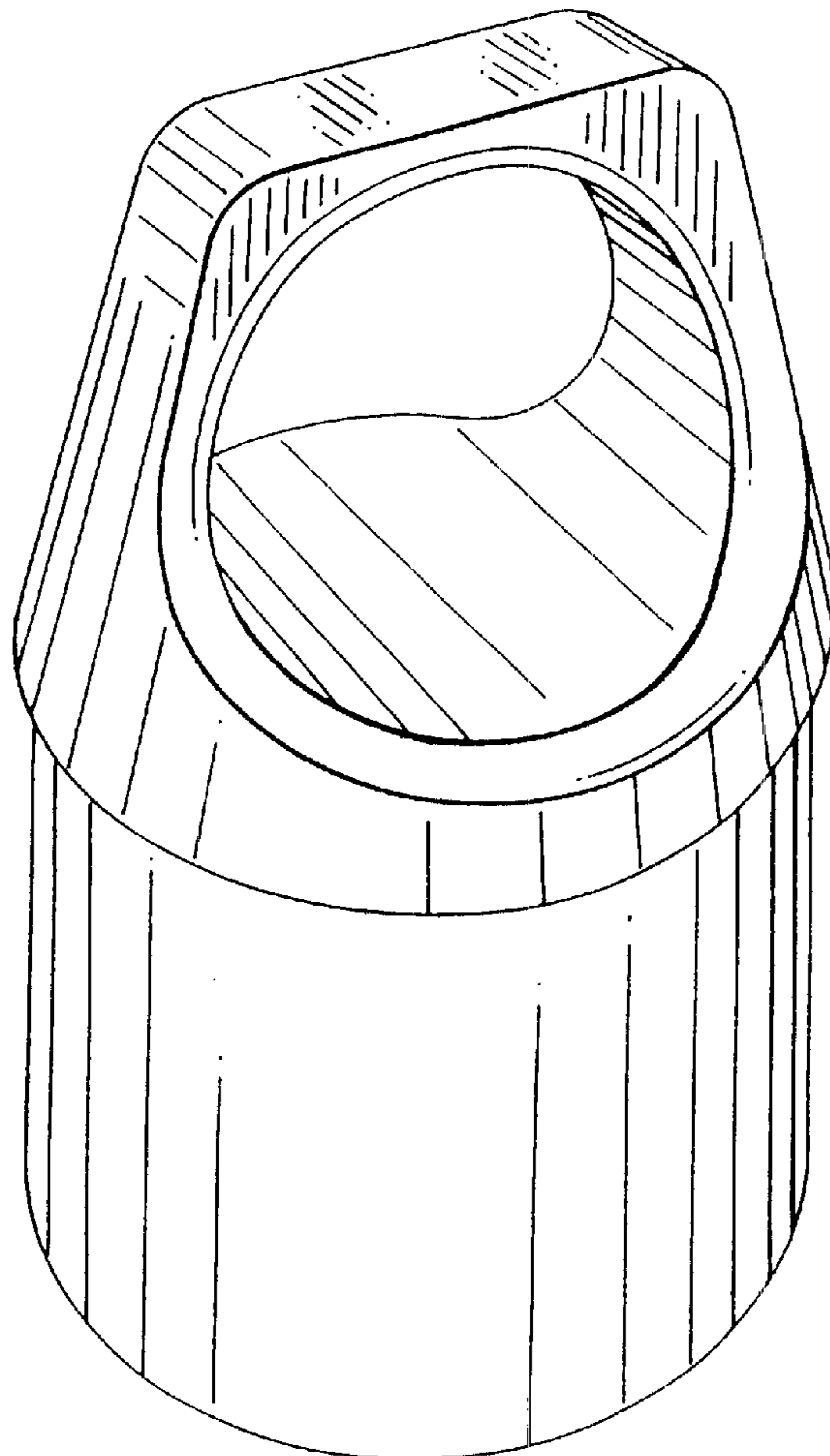


FIG. 1

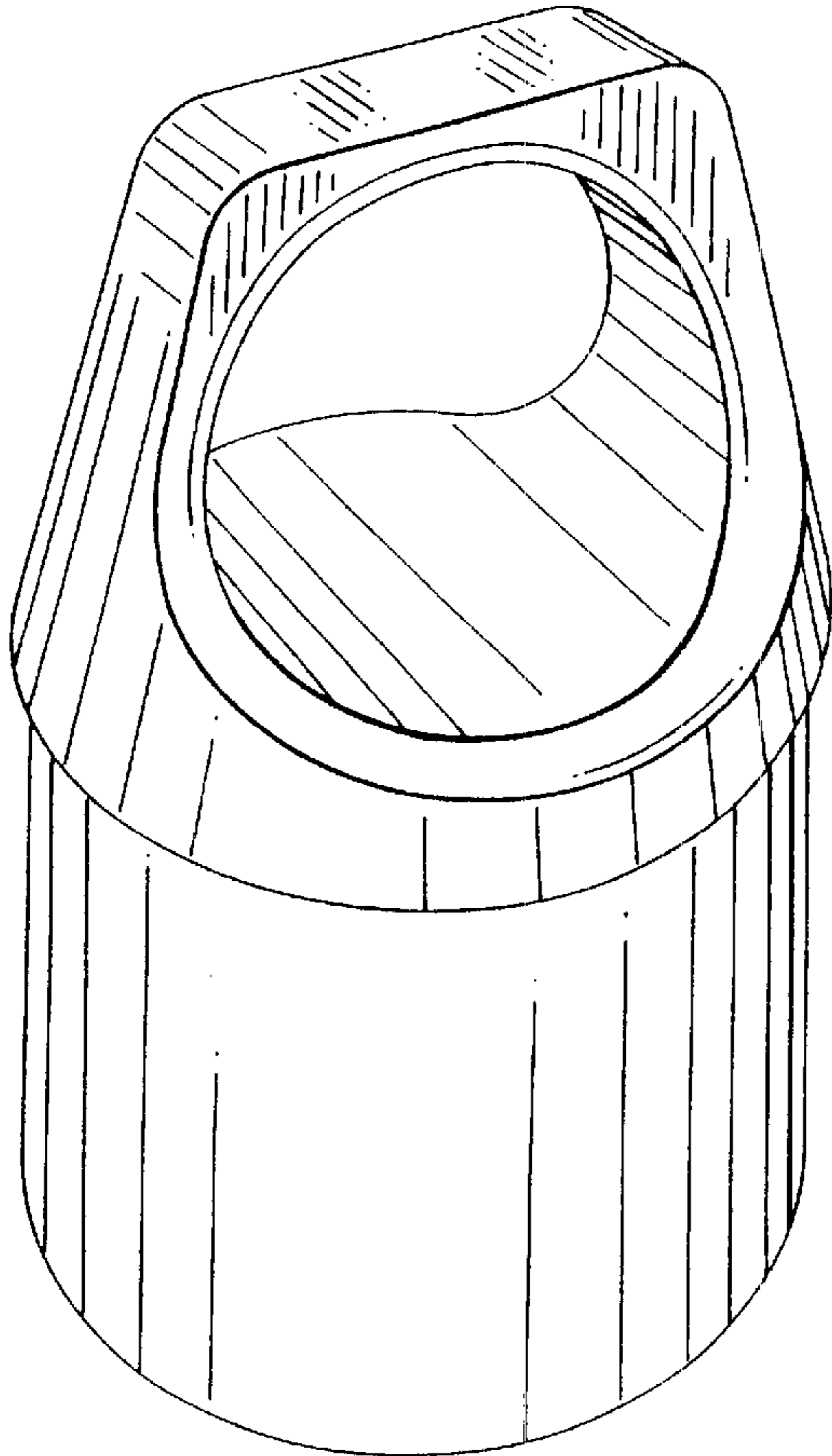


FIG. 2

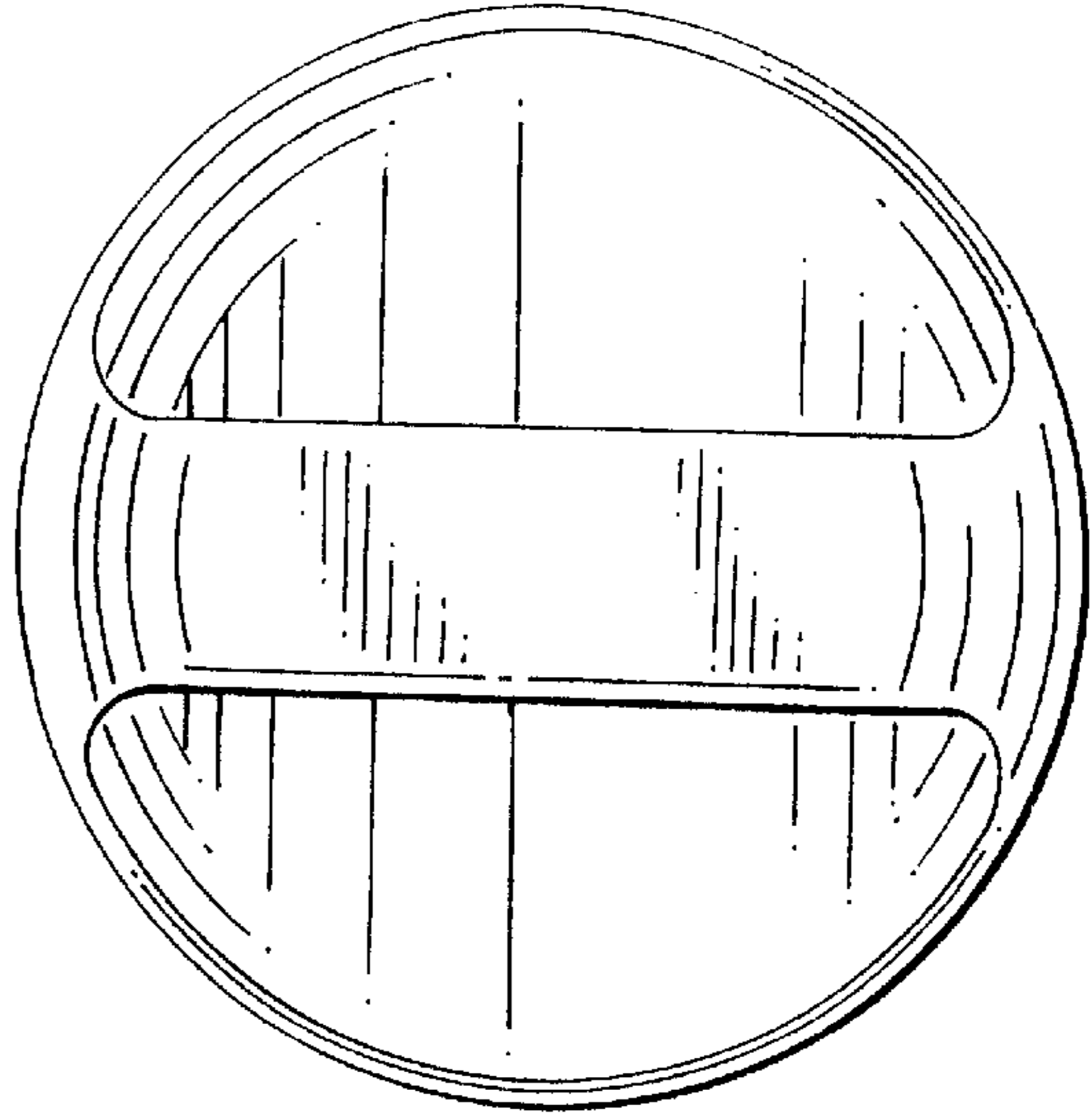


FIG. 3

