



US00D458129S

(12) **United States Design Patent**  
**Foster**

(10) **Patent No.:** **US D458,129 S**

(45) **Date of Patent:** **\*\* \*Jun. 4, 2002**

(54) **BAG CARRIER**

(76) **Inventor:** **James Edgar Foster**, 233 W. Craig,  
No. 3, San Antonio, TX (US)  
78212-4102

(\*) **Notice:** This patent is subject to a terminal disclaimer.

(\*\*) **Term:** **14 Years**

(21) **Appl. No.:** **29/097,481**

(22) **Filed:** **Dec. 8, 1998**

(51) **LOC (7) Cl.** ..... **09-07**

(52) **U.S. Cl.** ..... **D9/434**

(58) **Field of Search** ..... D9/434, 435, 443;  
D8/394, 395; 24/30.5 P, 30.5 R, 30.5 S,  
563; 294/137, 142, 158, 165, 171; 383/42,  
59, 60, 71

(56) **References Cited**

**U.S. PATENT DOCUMENTS**

D. 358,094	5/1995	DeGiacomo, Jr.	.....	D9/434
D. 359,229	* 6/1995	Jules	.....	D8/395
D. 362,621	9/1995	Blocker	.....	D9/434
D. 381,904	* 8/1997	Berg	.....	D9/435
1,830,014	* 11/1931	Brady	.....	24/30.5 R X
3,925,852	* 12/1975	Wood	.....	24/30.5 R
5,263,755	11/1993	Thompson	.....	294/165

5,364,148	11/1994	Bartocci	.....	294/171
5,441,323	8/1995	Goddard	.....	294/158
5,487,581	1/1996	Carmo et al.	.....	294/137
5,615,921	4/1997	Marley et al.	.....	294/170
5,645,306	7/1997	Kosteniuk	.....	294/137
5,658,029	* 8/1997	Franko	.....	294/171
5,697,660	12/1997	Smetz	.....	294/137
5,697,661	12/1997	Robinson, Sr. et al.	.....	294/142
5,738,401	4/1998	Fan	.....	294/171
5,799,377	* 9/1998	Carroll et al.	.....	24/30.5 R
5,852,851	* 12/1998	Cooper	.....	24/30.5 R

\* cited by examiner

*Primary Examiner*—Cathron B. Matta

(74) *Attorney, Agent, or Firm*—Christopher L. Makay

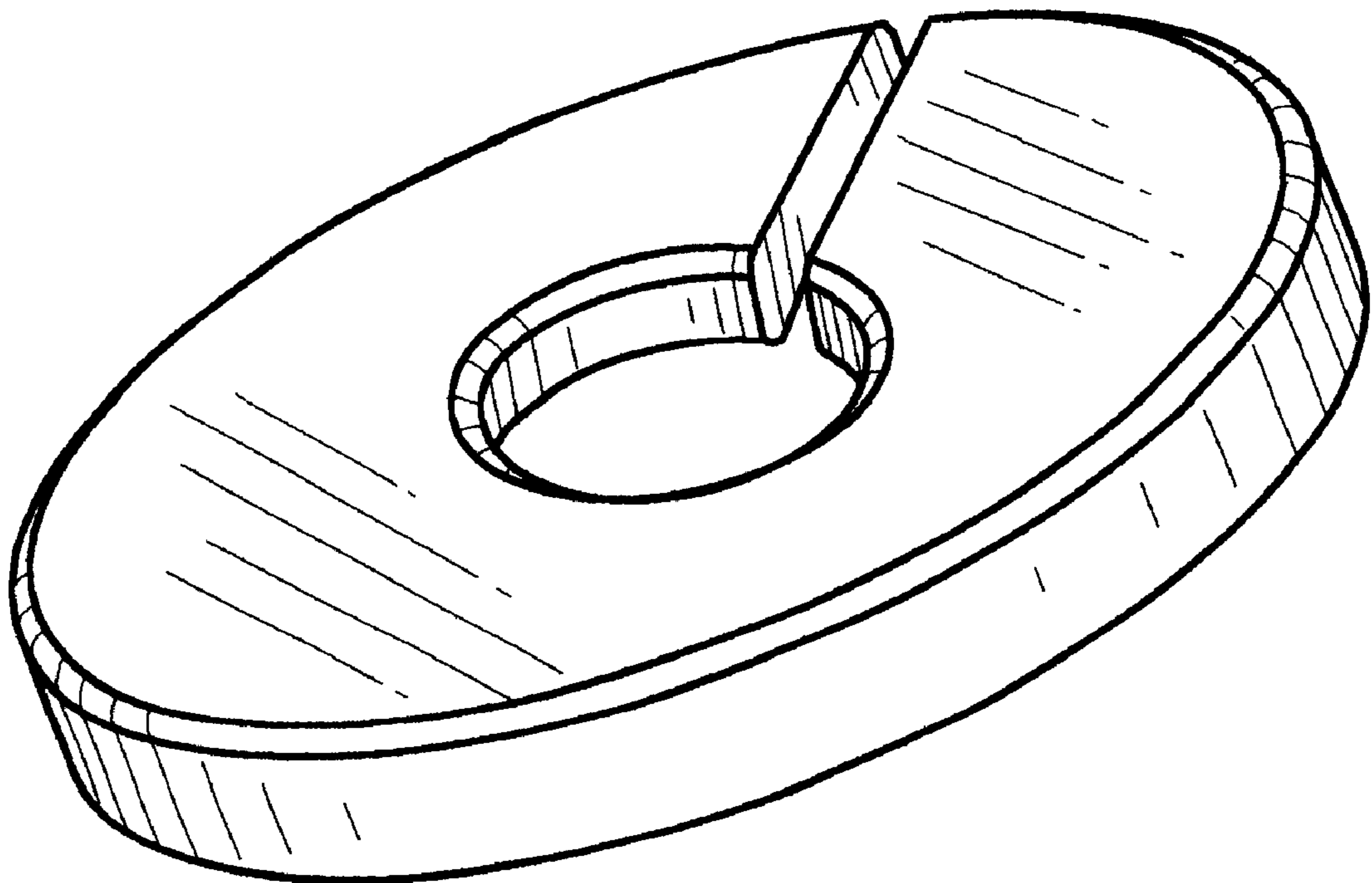
(57) **CLAIM**

The ornamental design for a bag carrier, as shown and described.

**DESCRIPTION**

FIG. 1 is a perspective view of a bag carrier.  
FIG. 2 is a front elevation view of the bag carrier of FIG. 1, the rear view being a mirror image thereof.  
FIG. 3 is a top plan view of the bag carrier of FIG. 1.  
FIG. 4 is a right side elevation view of the bag carrier of FIG. 1; and,  
FIG. 5 is a left side elevation view of the bag carrier of FIG. 1.

**1 Claim, 2 Drawing Sheets**



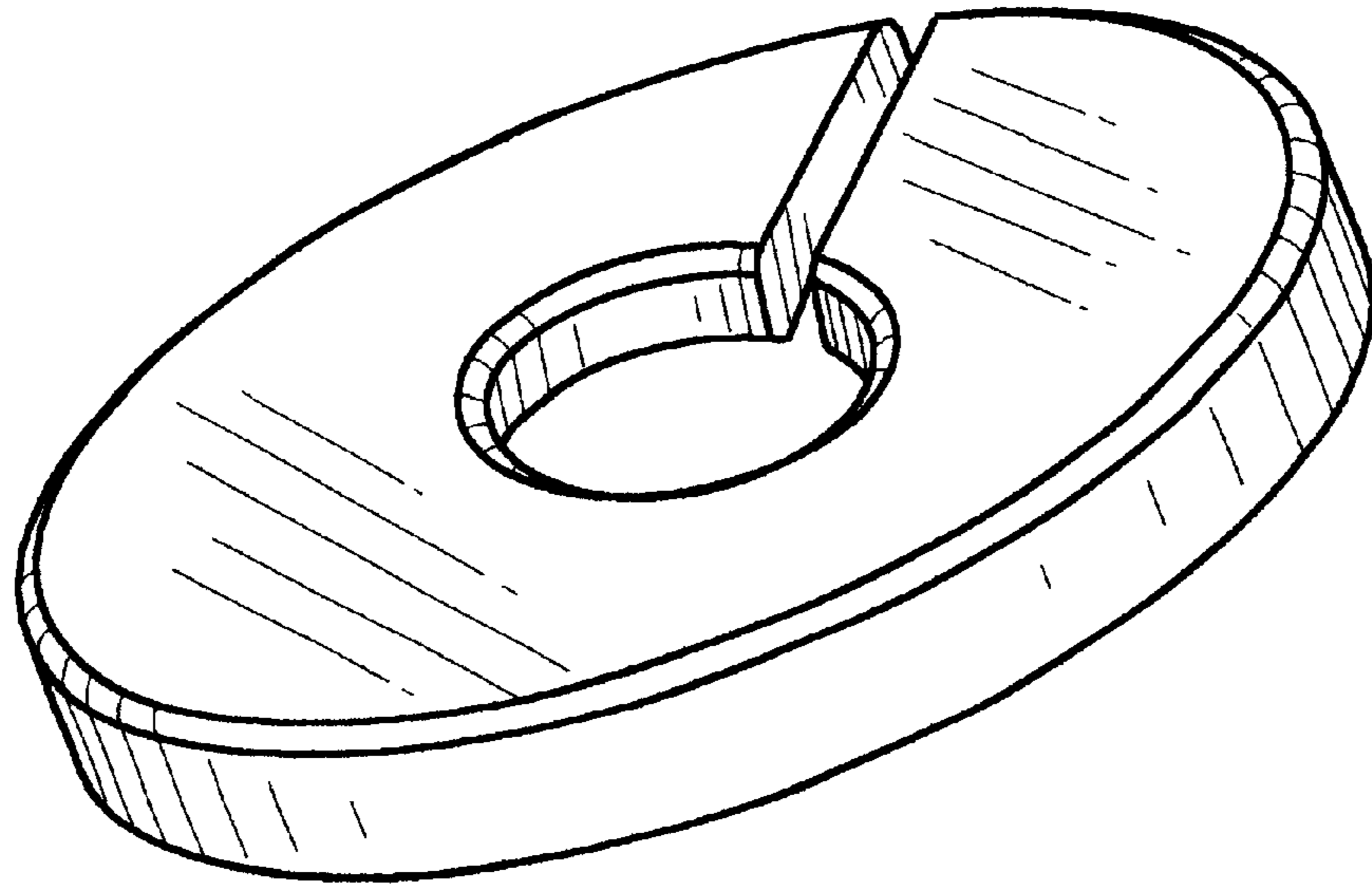


Fig. 1

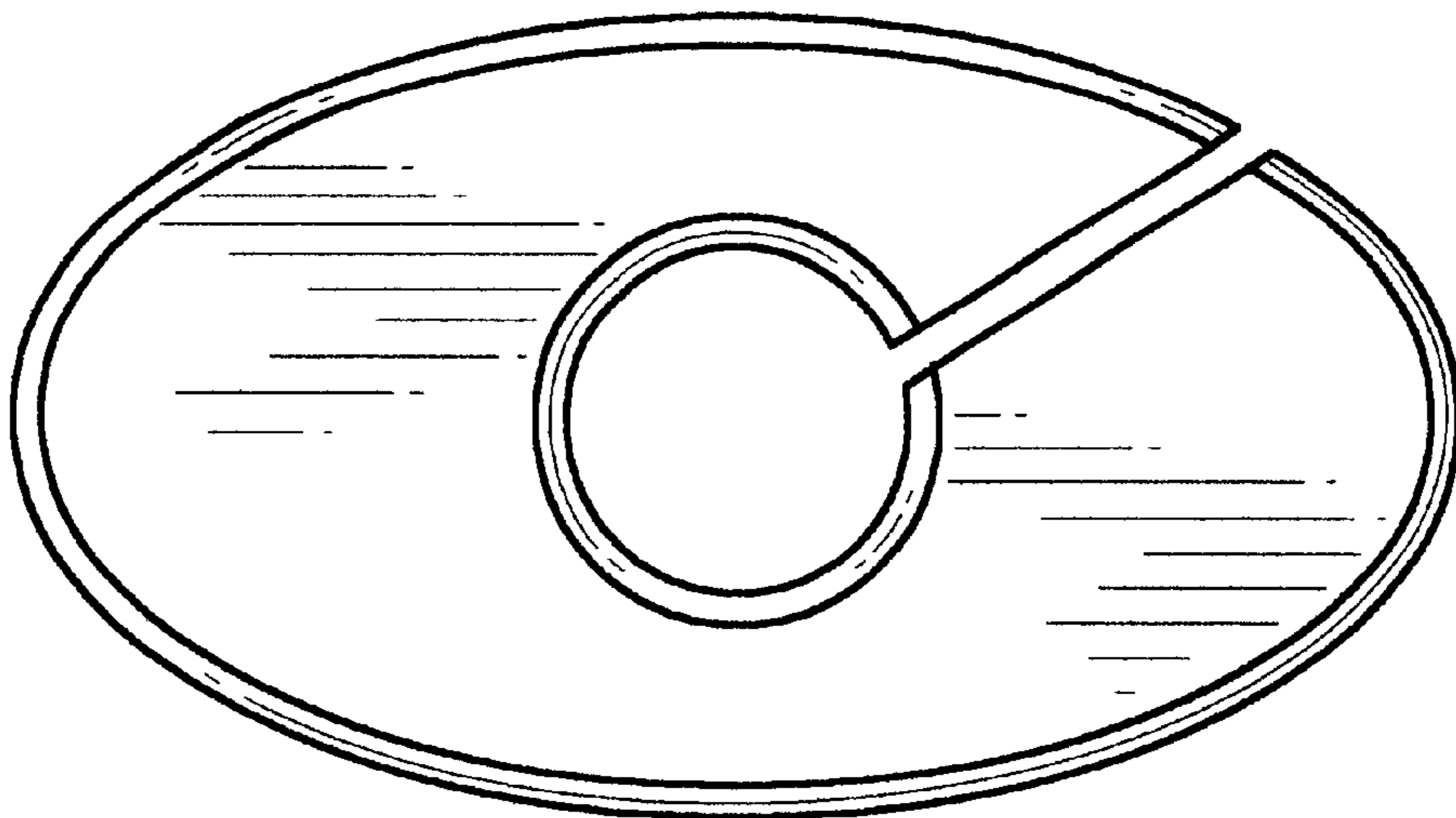


Fig. 2



Fig. 3



Fig. 4

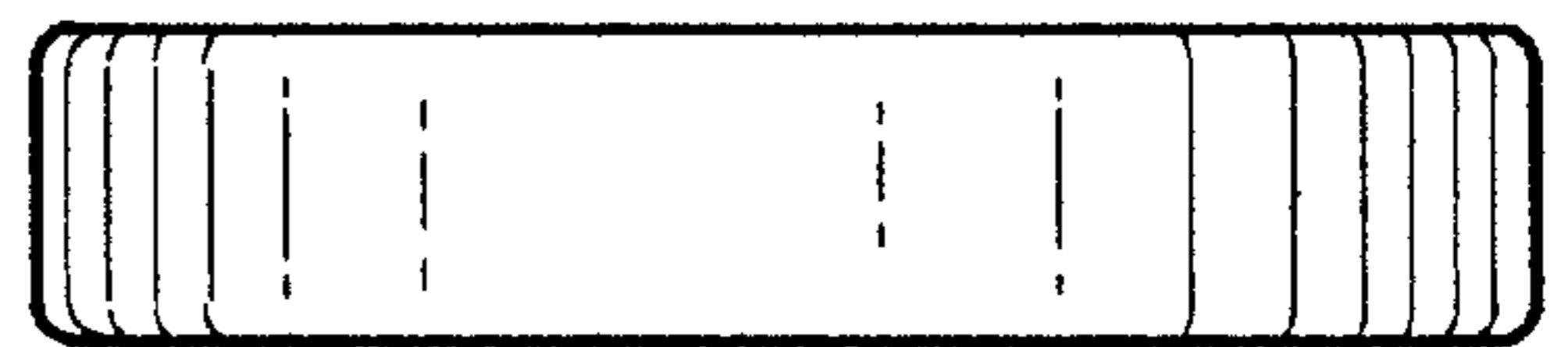


Fig. 5