



US00D458123S

(12) **United States Design Patent**
Rick et al.

(10) **Patent No.: US D458,123 S**

(45) **Date of Patent: ** Jun. 4, 2002**

(54) **PACKAGING CARTON**

D376,102 S * 12/1996 Patapanian et al. D9/415
5,660,322 A 8/1997 Jensen 229/193
D423,925 S 5/2000 Kellar et al. D9/415

(75) Inventors: **Rhonda Rick; Dana Dorwart; David S. Kellar**, all of Corvallis, OR (US);
Ray C. Steffen, Oceanside, CA (US);
Margaret E. Watson, Corvallis, OR (US);
Eric Read; William V. Burke, both of San Rafael, CA (US)

OTHER PUBLICATIONS

P. 318, Modern Packaging 1967.
P. 311, Modern Packaging 1961.
Gillette Sensor/15 pack.
Gillette Sensor, 5 pack.
Cachet package.
Chocolate Fudge Royale package.
P. 134 Modern Packaging Encyclopedia and Planning Guide, 1972–1973.
P. 53, Packaging, vol. 31, No. 9, Aug. 1986.
Techform packaging, Nov. 15, 1982.

(73) Assignee: **Hewlett-Packard Company**, Palo Alto, CA (US)

(**) Term: **14 Years**

(21) Appl. No.: **29/138,521**

(22) Filed: **Feb. 14, 2001**

* cited by examiner

Related U.S. Application Data

(63) Continuation-in-part of application No. 29/060,800, filed on Oct. 7, 1996, now abandoned.

(51) **LOC (7) Cl. 09-03**

(52) **U.S. Cl. D9/415; D9/418**

(58) **Field of Search D9/415, 418, 419, D9/456, 307; 206/461–471, 495, 806, 775–777, 769, 216; 229/162**

Primary Examiner—Prabhakar Deshmukh

(74) *Attorney, Agent, or Firm*—Larry D. Baker

(57) **CLAIM**

We claim the ornamental design for a packaging carton, as shown.

DESCRIPTION

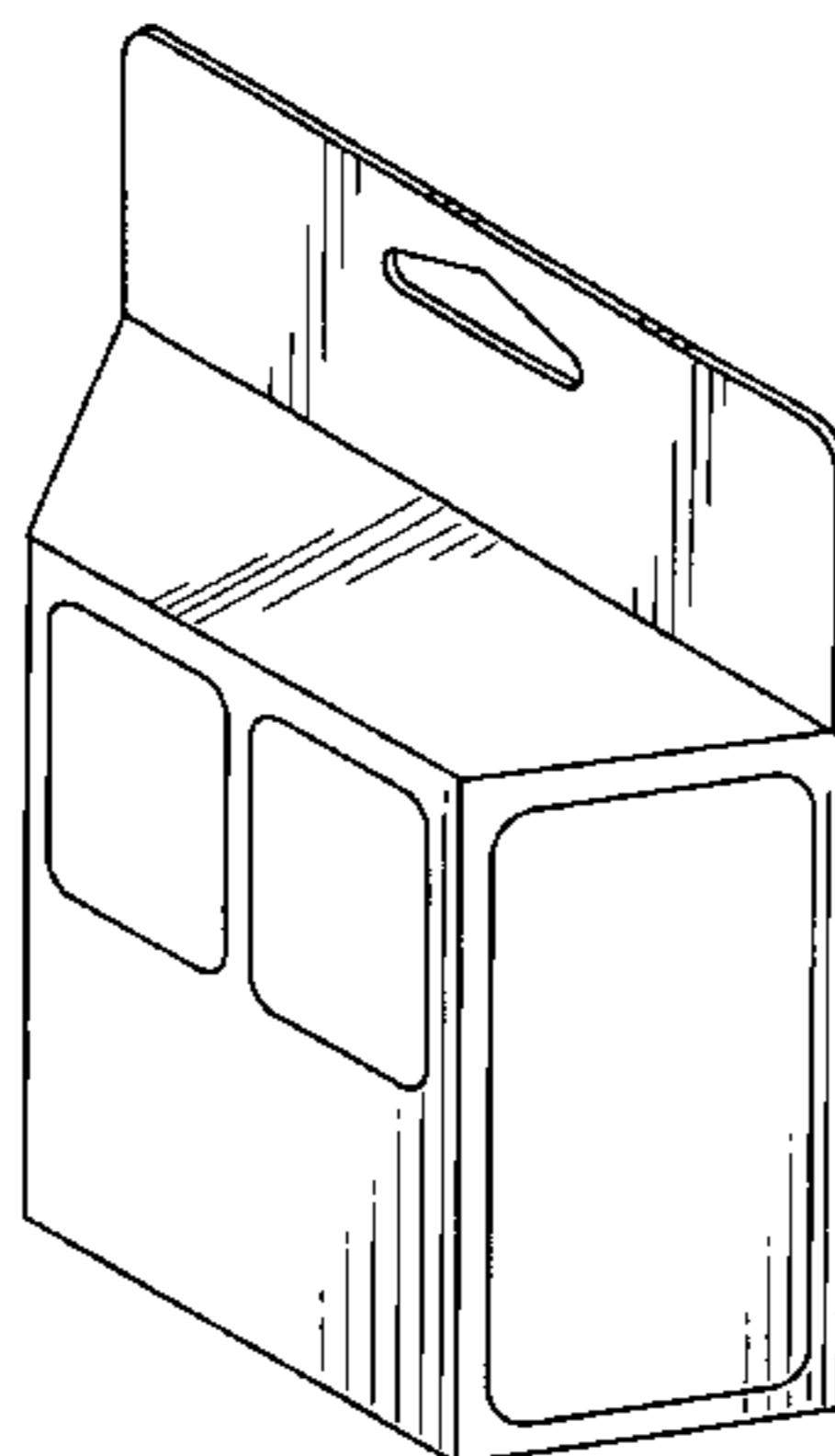
FIG. 1 is a top, front, and right side perspective view of a packaging carton showing our new design;
FIG. 2 is a front elevation view of our new design;
FIG. 3 is a right side elevation view of our new design;
FIG. 4 is a rear elevation view of our new design;
FIG. 5 is a top plan view of our new design;
FIG. 6 is a bottom plan view of our new design;
FIG. 7 is a top, front, and right side perspective view of a packaging carton showing an alternate embodiment of our new design;
FIG. 8 is a front elevation view of the alternate embodiment of our new design;
FIG. 9 is a right side elevation view of the alternate embodiment of our new design;
FIG. 10 is a rear elevation view of the alternate embodiment of our new design;
FIG. 11 is a top plan view of the alternate embodiment of our new design; and,
FIG. 12 is a bottom plan view of the alternate embodiment of our new design.

(56) **References Cited**

U.S. PATENT DOCUMENTS

3,487,915 A * 1/1970 Scott 206/461
D224,290 S 7/1972 Robertson et al. 9/191
D227,229 S 6/1973 Takaji D9/191
3,885,667 A 5/1975 Spiegel et al. 206/45.33
3,904,029 A 9/1975 Koltz 206/45.34
3,946,936 A * 3/1976 Brown 206/806 X
4,257,522 A * 3/1981 Thornberg 206/806 X
4,326,546 A 4/1982 Acker
4,630,734 A 12/1986 Severin et al. 206/461
D288,533 S 3/1987 Jialanella et al. D9/415
5,069,334 A 12/1991 Herrin et al. 206/45.345
D327,009 S * 6/1992 Poore D9/307
5,186,345 A 2/1993 Ching Ang 220/23.4
D342,025 S 12/1993 Abraben et al. D9/415
5,379,894 A 1/1995 Haas et al. 206/333
D355,598 S 2/1995 Aronhalt D9/415
D357,626 S 4/1995 Snow et al. D9/415
5,429,233 A * 7/1995 Juaristi 206/461
D368,028 S 3/1996 Baker D9/415
D368,854 S * 4/1996 Burnett et al. D9/307

1 Claim, 3 Drawing Sheets



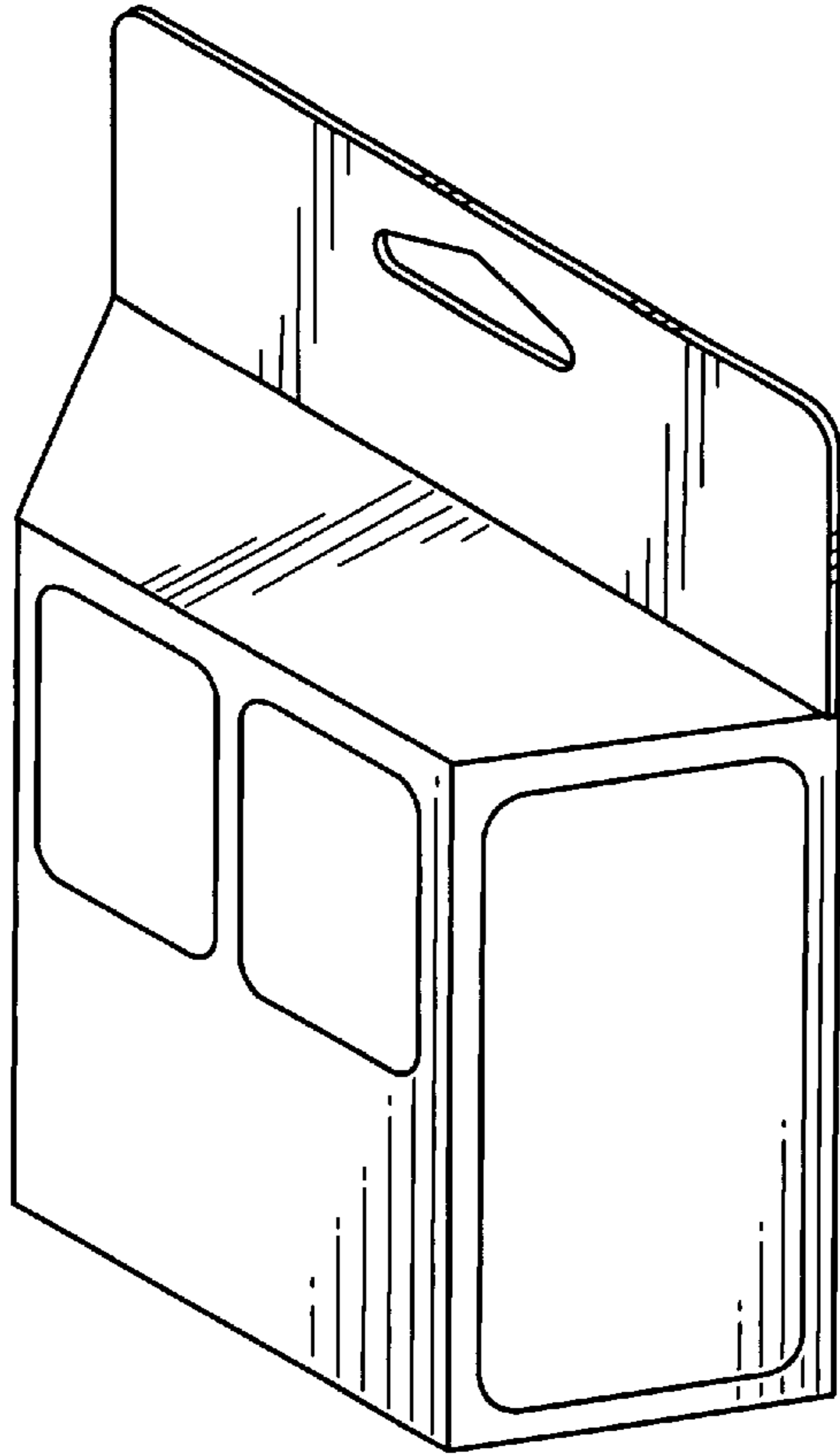


FIG. 1

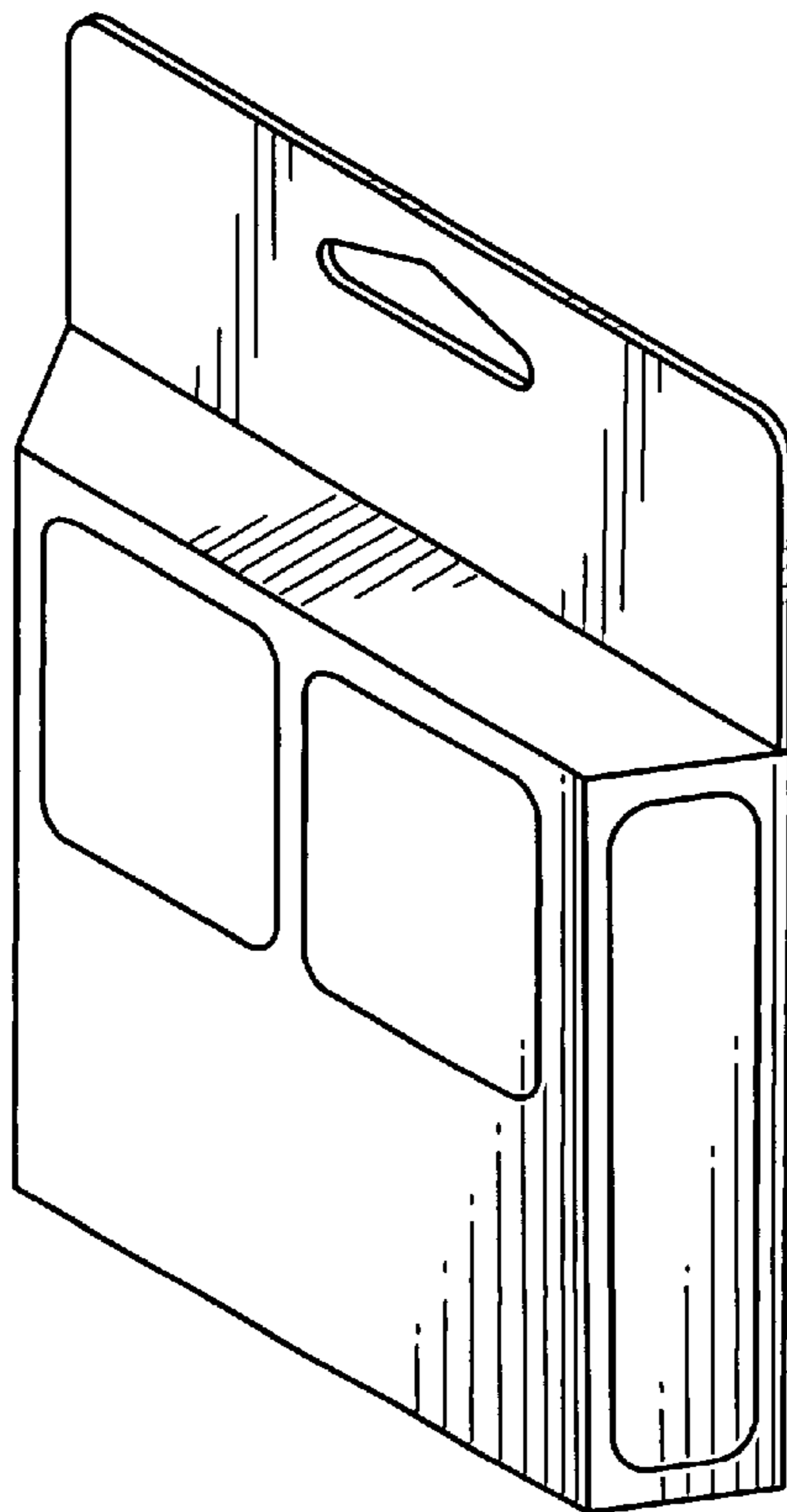


FIG. 7

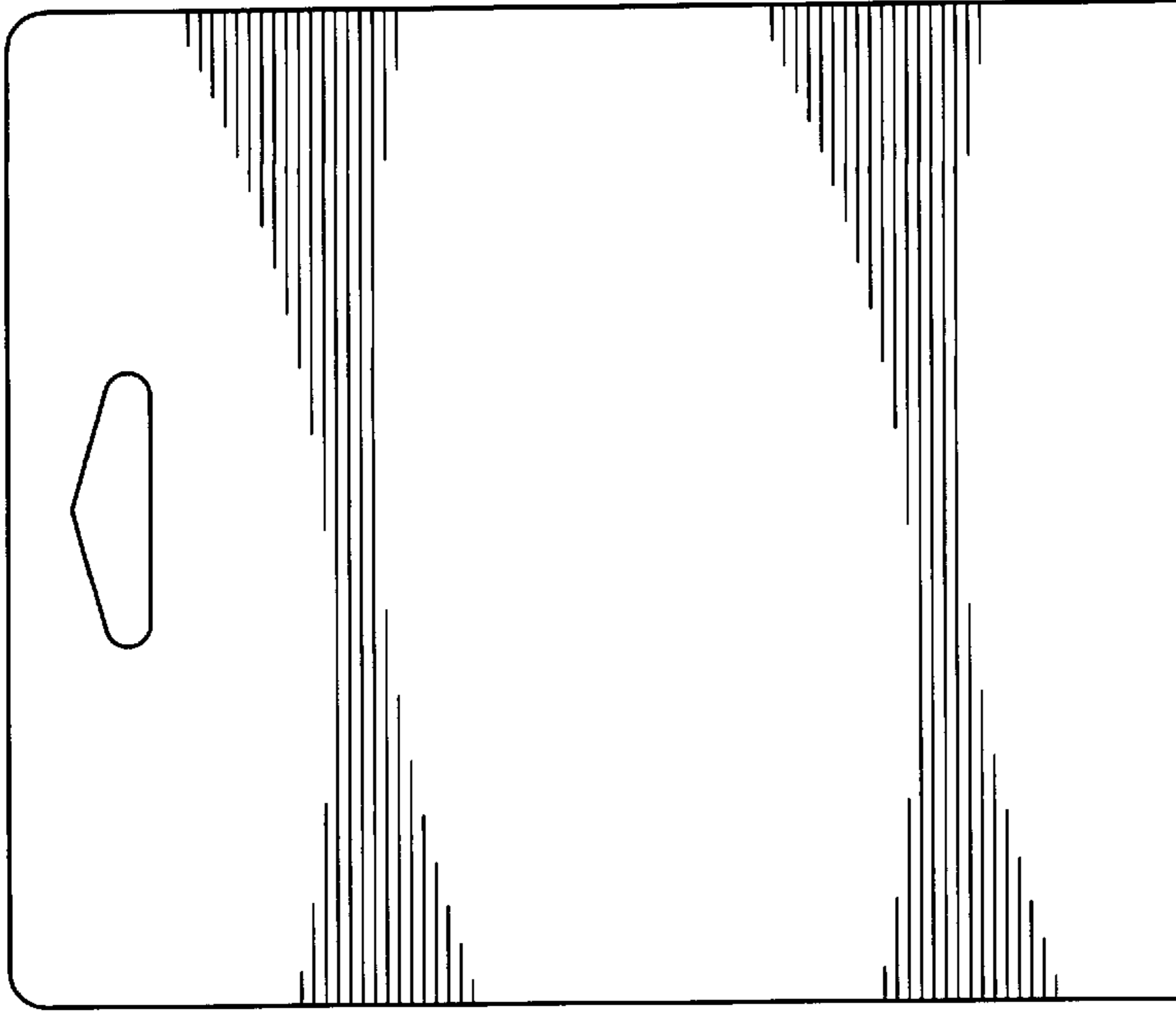


FIG. 2

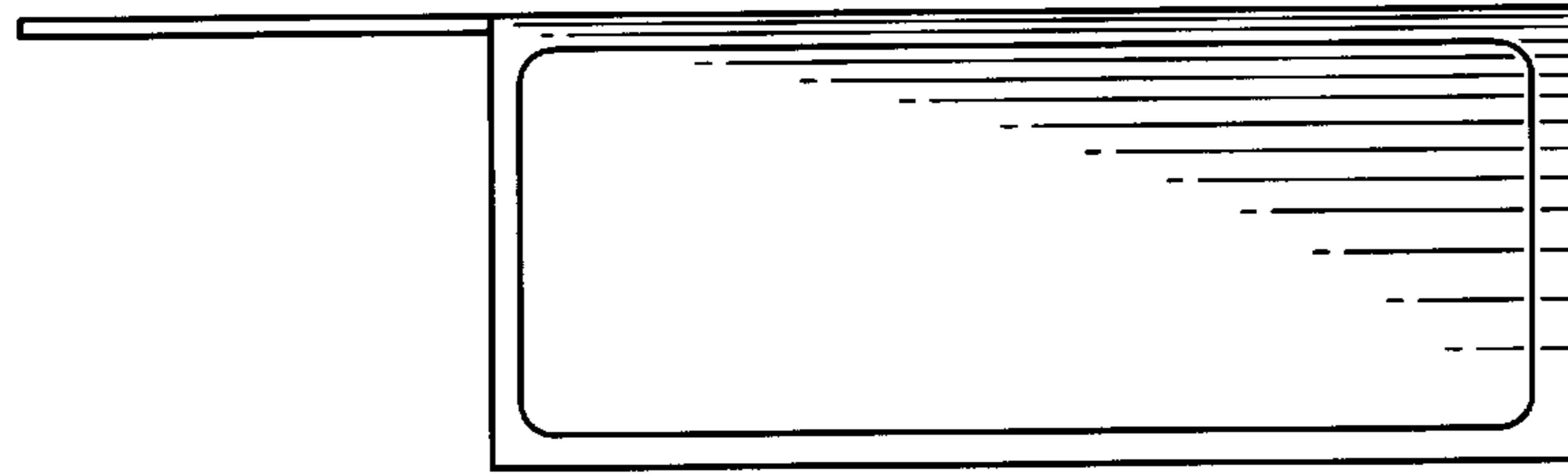


FIG. 3

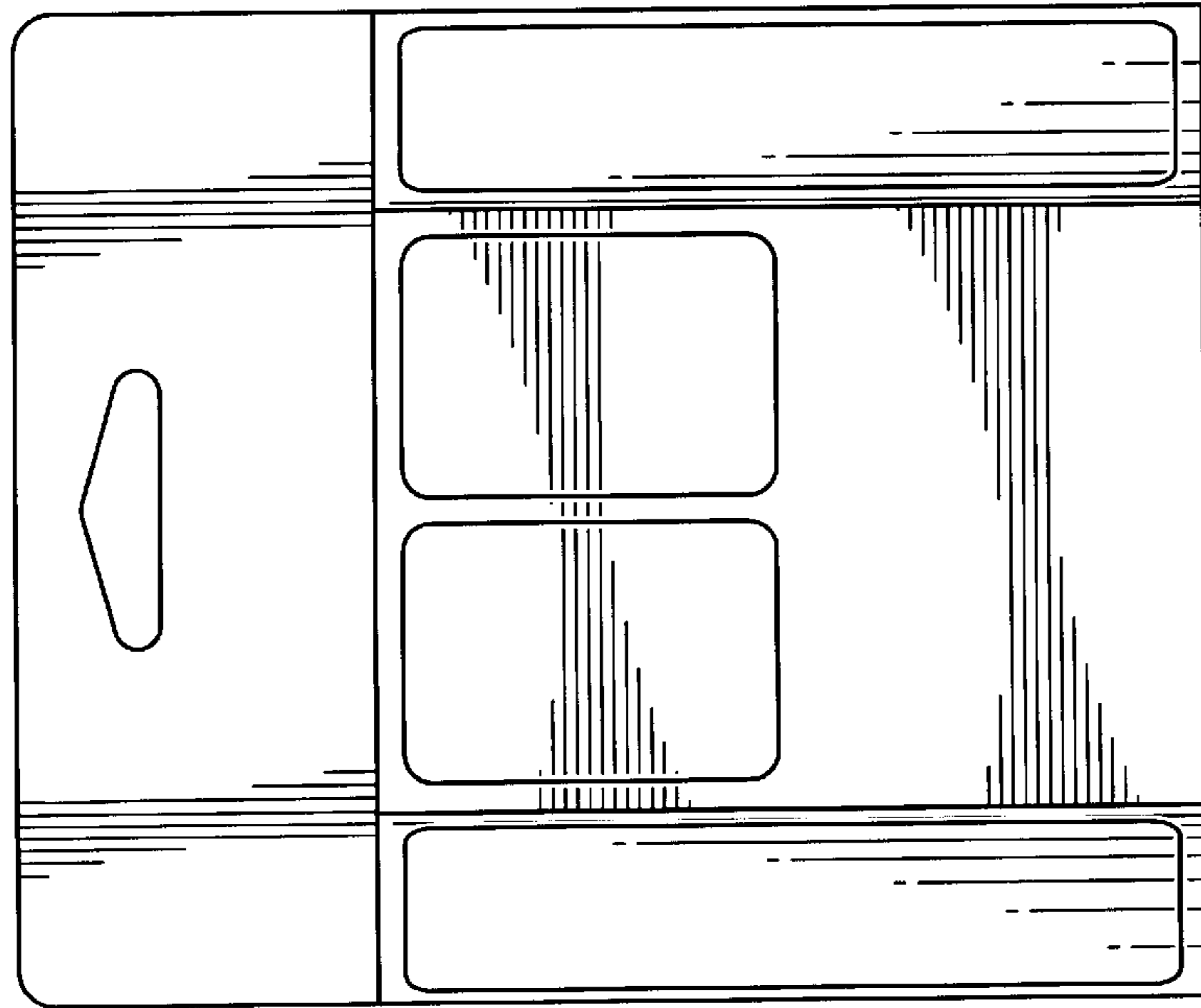


FIG. 4

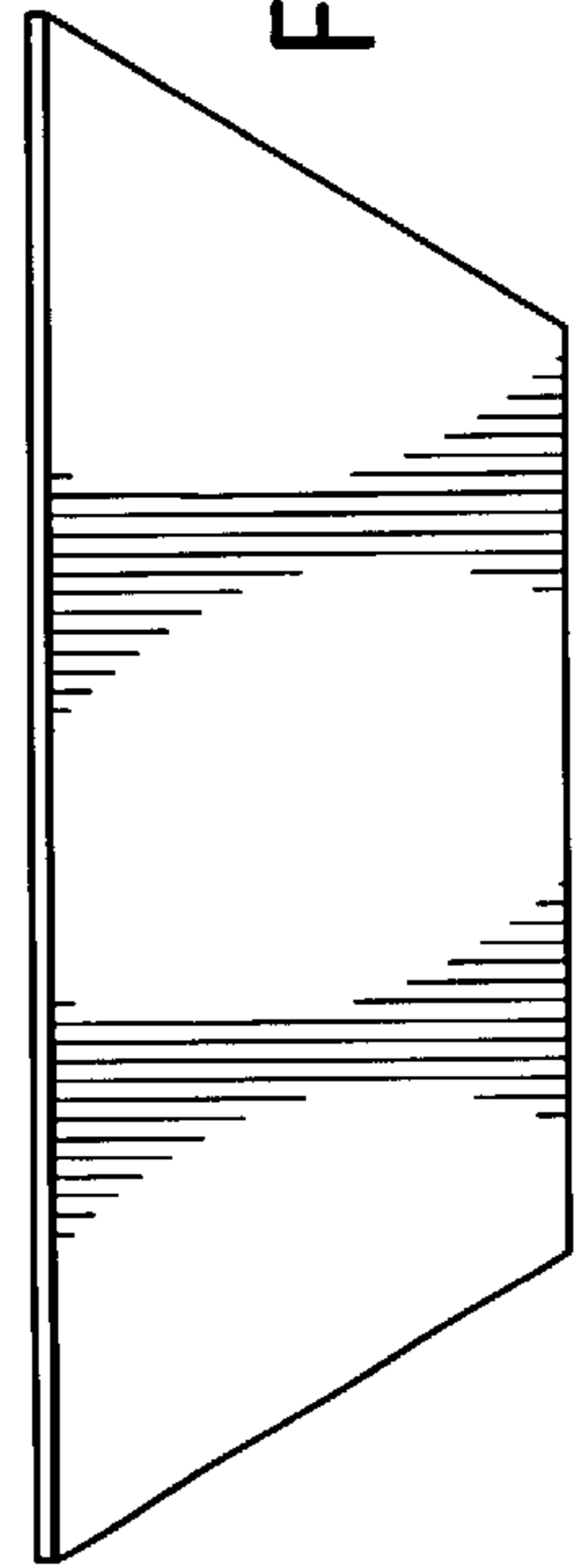


FIG. 5

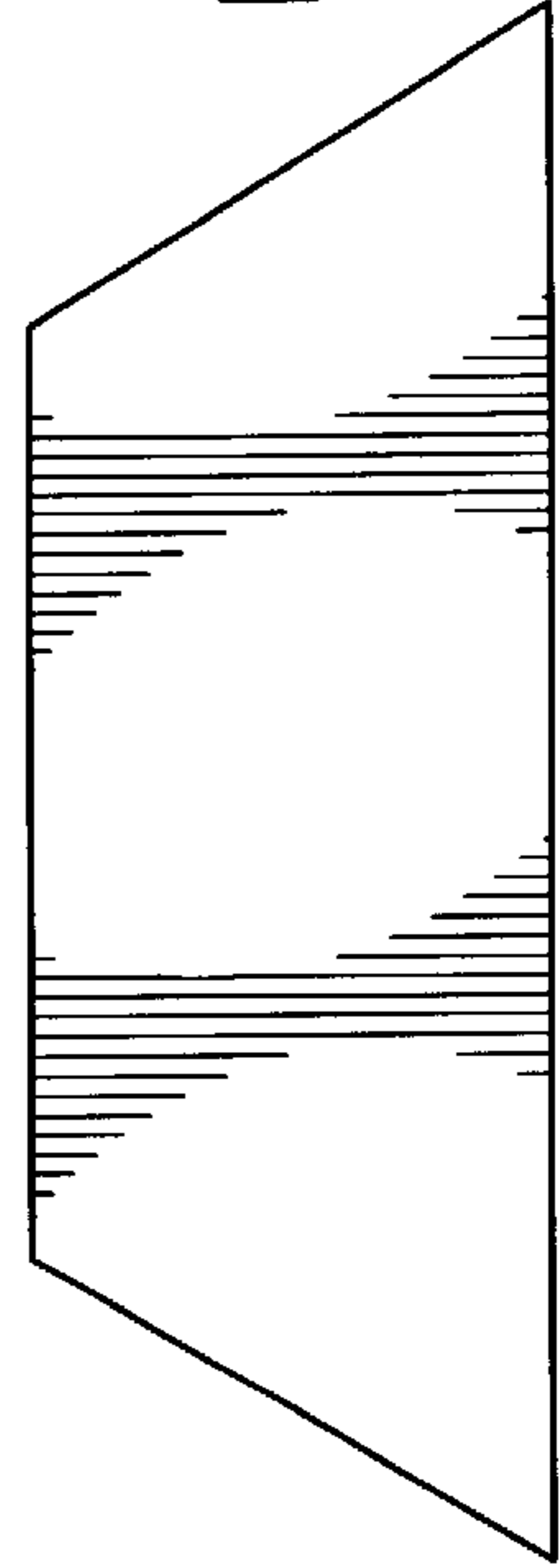


FIG. 6

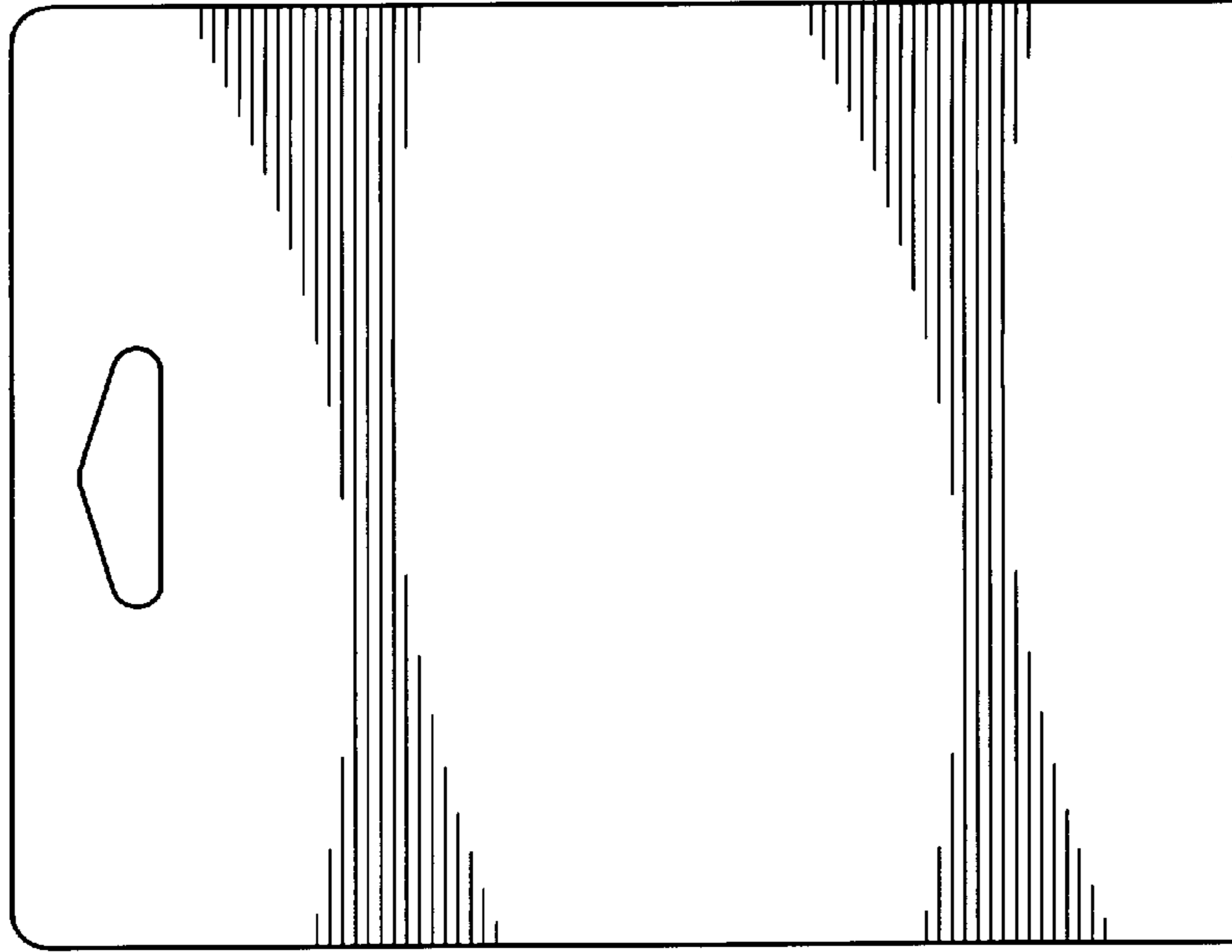


FIG. 10

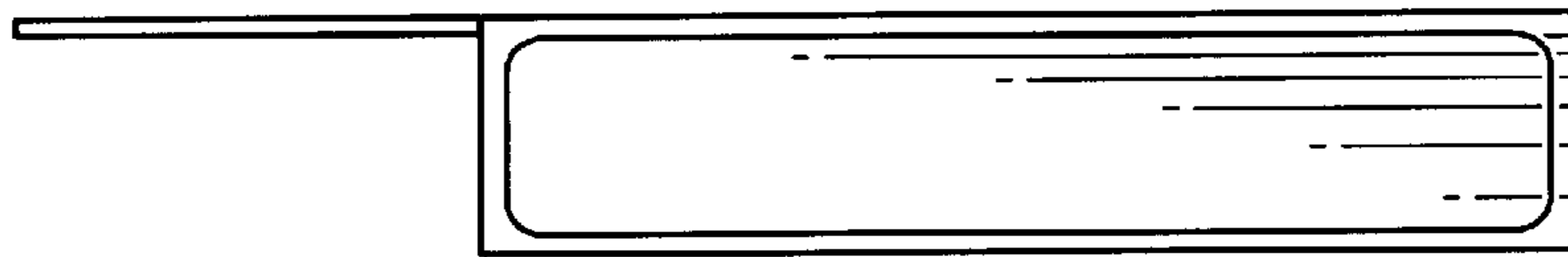


FIG. 9

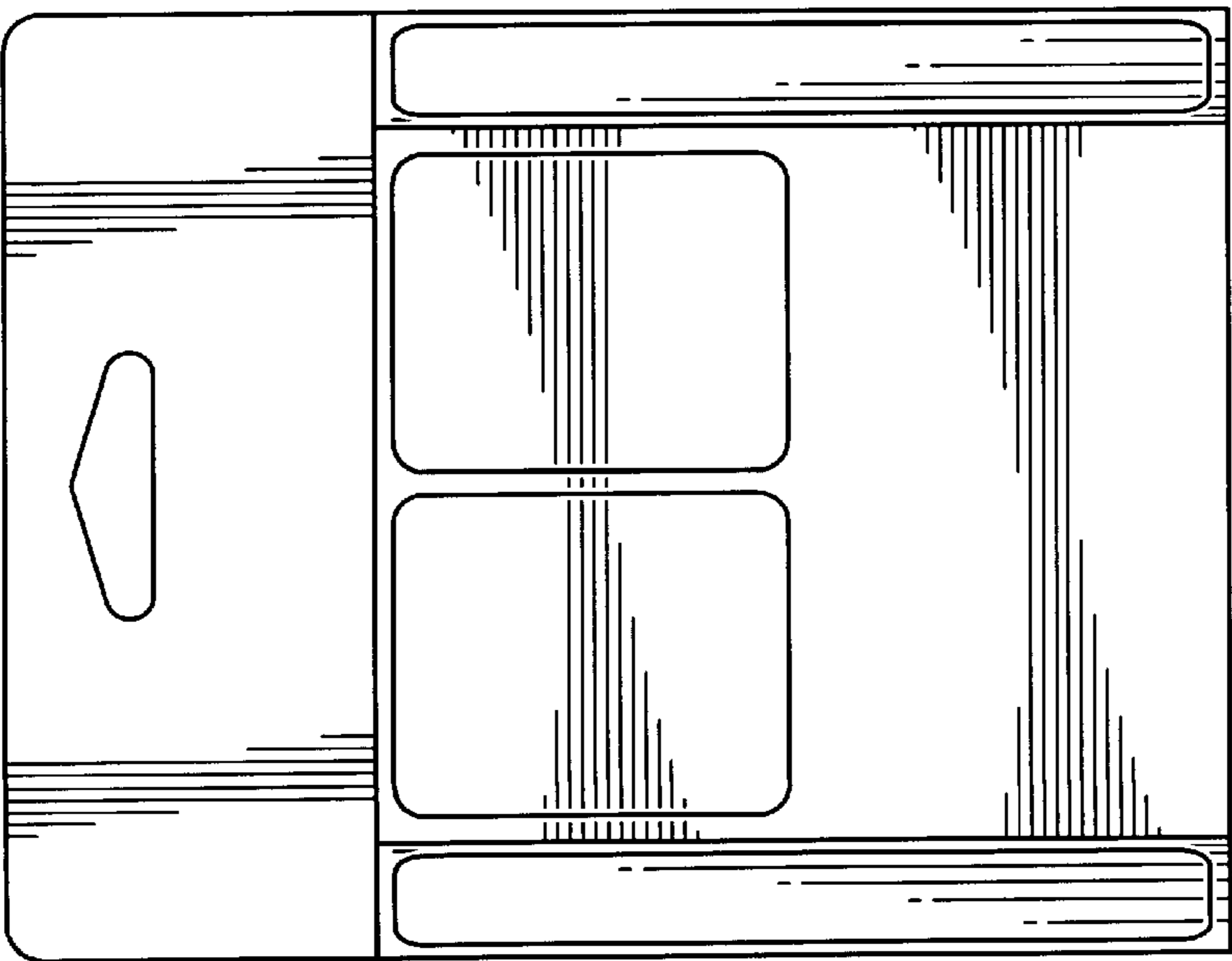


FIG. 8

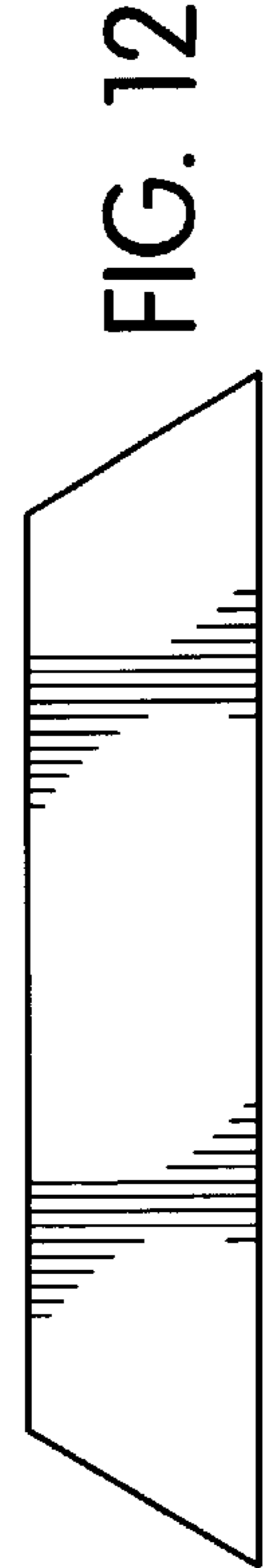


FIG. 12

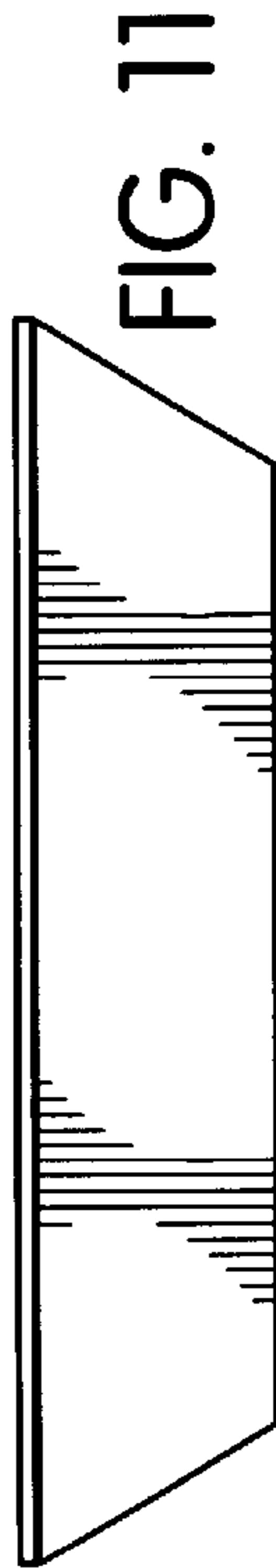


FIG. 11