



US00D458121S

(12) **United States Design Patent**
Ichikawa

(10) **Patent No.:** **US D458,121 S**

(45) **Date of Patent:** **** Jun. 4, 2002**

(54) **PACKAGING BAG**

(75) Inventor: **Tooru Ichikawa, Misato (JP)**

(73) Assignee: **Hosokawa Yoko Co., Ltd., Tokyo (JP)**

(**) Term: **14 Years**

(21) Appl. No.: **29/135,022**

(22) Filed: **Jan. 5, 2001**

(30) **Foreign Application Priority Data**

Jul. 5, 2000 (JP) 2000-018398

(51) **LOC (7) Cl.** **09-05**

(52) **U.S. Cl.** **D9/305; D9/306**

(58) **Field of Search** **D9/305, 306; 383/33,**
383/34.1, 36, 61-64, 104, 120, 121.11,
111, 200

(56) **References Cited**

U.S. PATENT DOCUMENTS

- 3,249,286 A * 5/1966 Palmer 383/104
- 4,082,216 A * 4/1978 Clarke 220/418
- 4,139,643 A * 2/1979 Hix et al. 383/200
- 4,869,912 A * 9/1989 McCoy et al. 383/200
- 5,007,233 A * 4/1991 Bose 383/111 X
- 5,029,751 A * 7/1991 Detzel 229/125.42
- 5,375,930 A * 12/1994 Tani 383/206
- 5,547,284 A * 8/1996 Imer 383/104
- D402,196 S * 12/1998 Lynch D9/305
- 6,186,663 B1 * 2/2001 Ausnit 383/63

6,234,676 B1 * 5/2001 Galomb et al. 383/63

* cited by examiner

Primary Examiner—Cathron C. Brooks

(74) *Attorney, Agent, or Firm*—Nixon & Vanderhye

(57) **CLAIM**

The ornamental design for a packaging bag, as shown and described.

DESCRIPTION

FIG. 1 is a front view of the packaging bag showing my new design;

FIG. 2 is a rear view thereof;

FIG. 3 is a right side view thereof, the left side view being a mirror image thereof;

FIG. 4 is a top plan view thereof;

FIG. 5 is a bottom plan view thereof;

FIG. 6 is a sectional view cut along the central vertical line of FIG. 1;

FIG. 7 is an enlarged cross-sectional view of a portion A—A of FIG. 6;

FIG. 8 is a perspective view of the packaging bag in the unfilled position with the sleeve shown removed for completeness of illustration;

FIG. 9 is a perspective view of the packaging bag of FIG. 1, with the top shown in the open position and the bottom corners shown in an alternate position; and,

FIG. 10 is a perspective view of the packaging bag of FIG. 1.

1 Claim, 7 Drawing Sheets

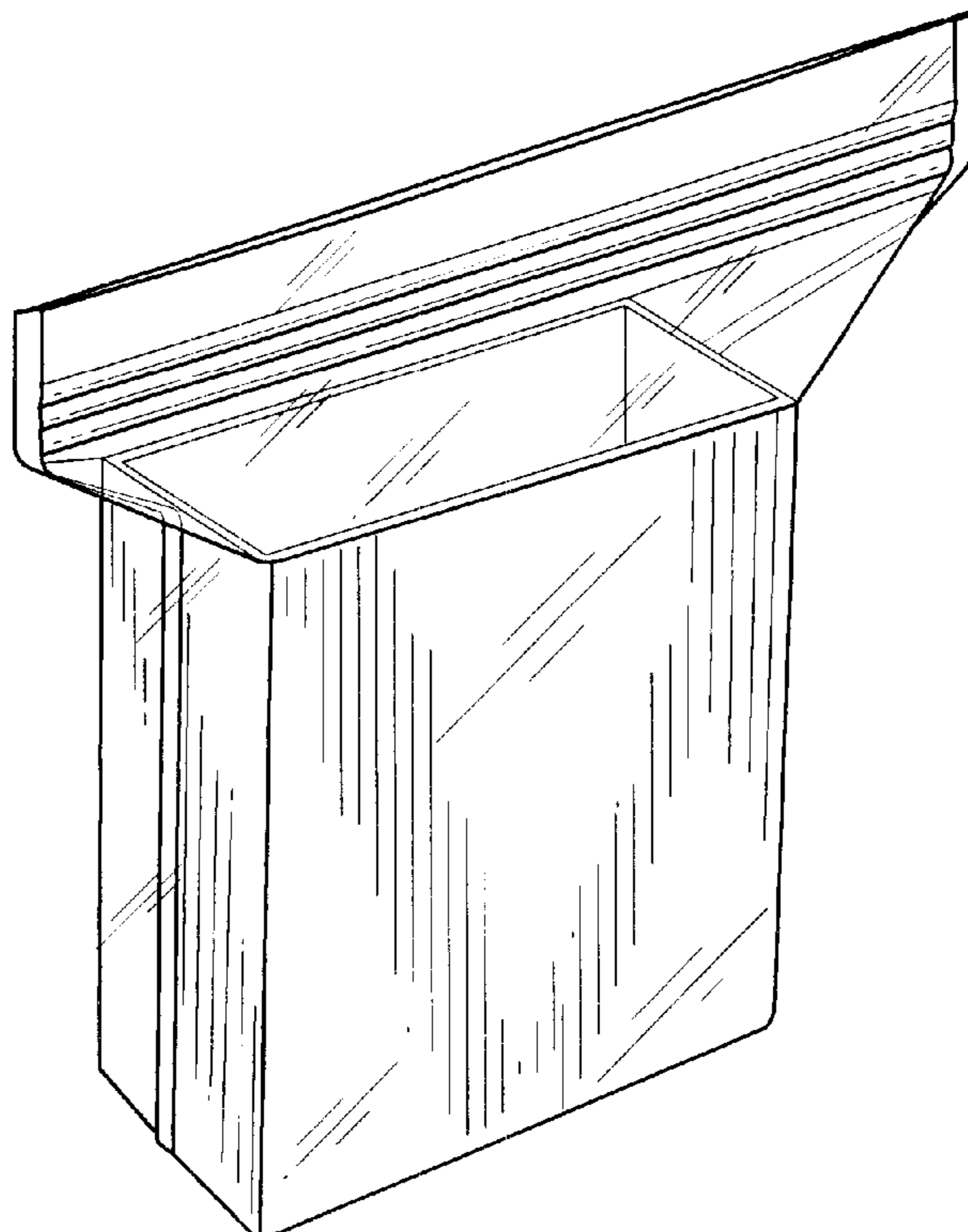


Fig. 1

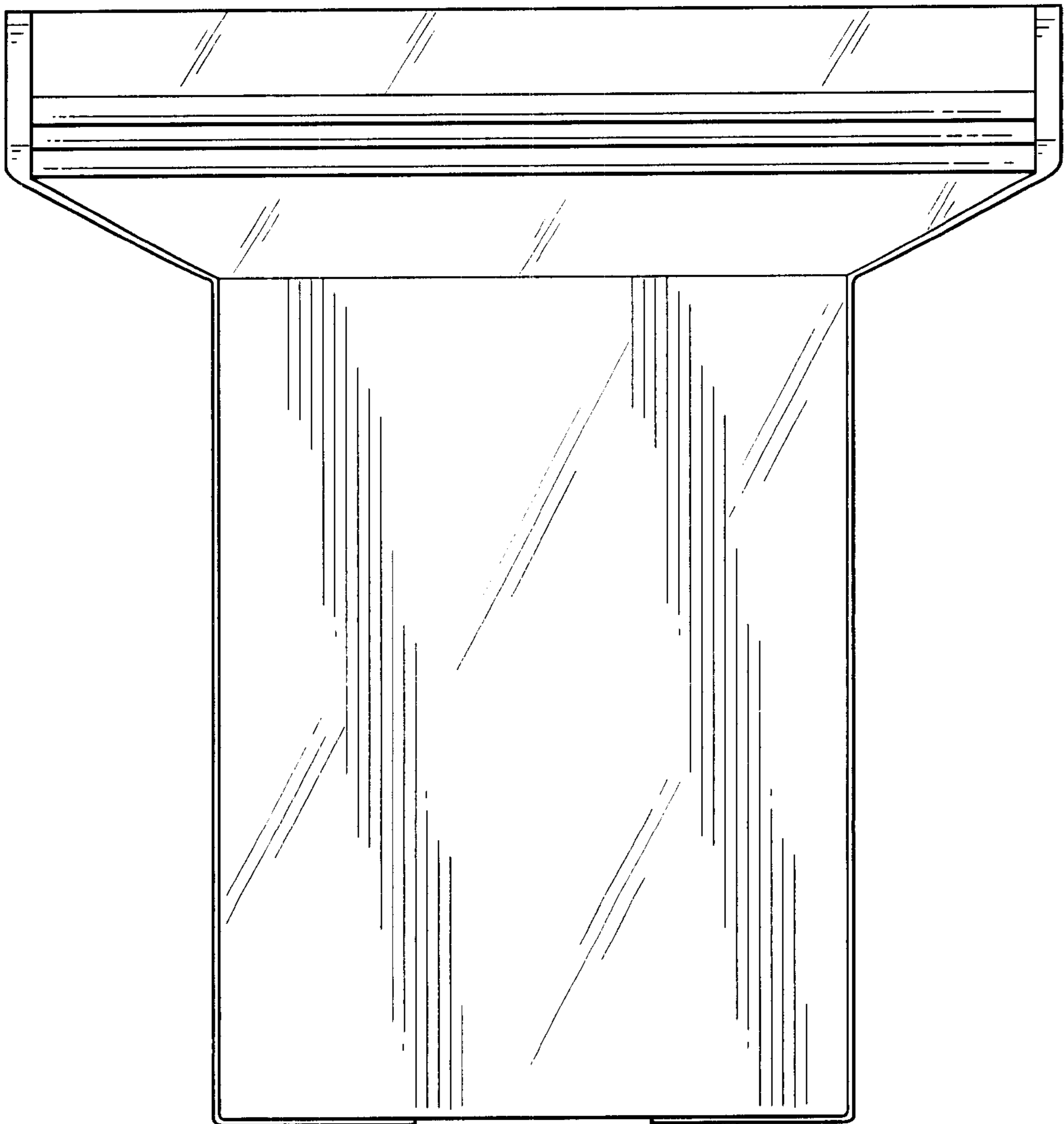


Fig. 2

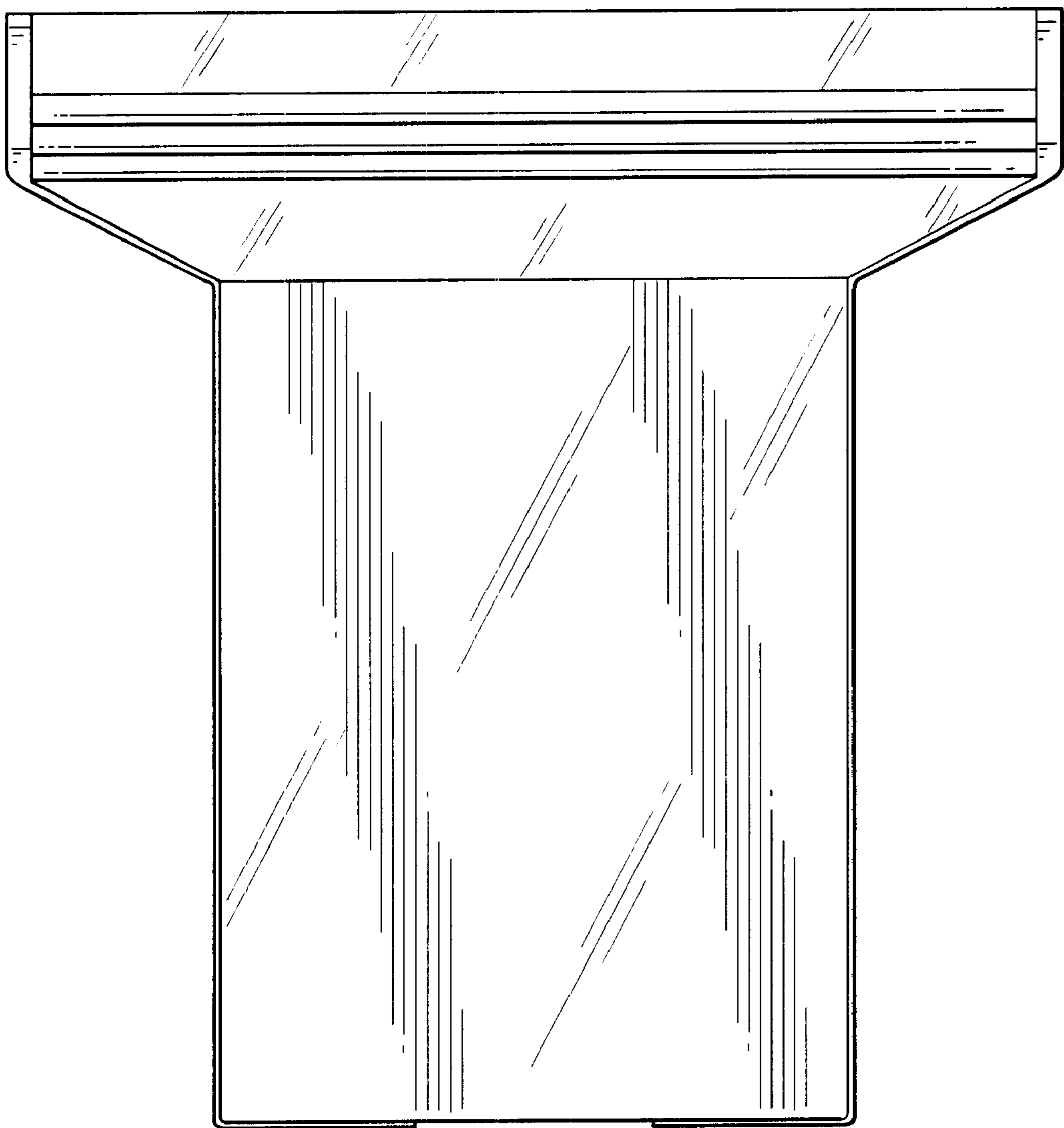


Fig. 3

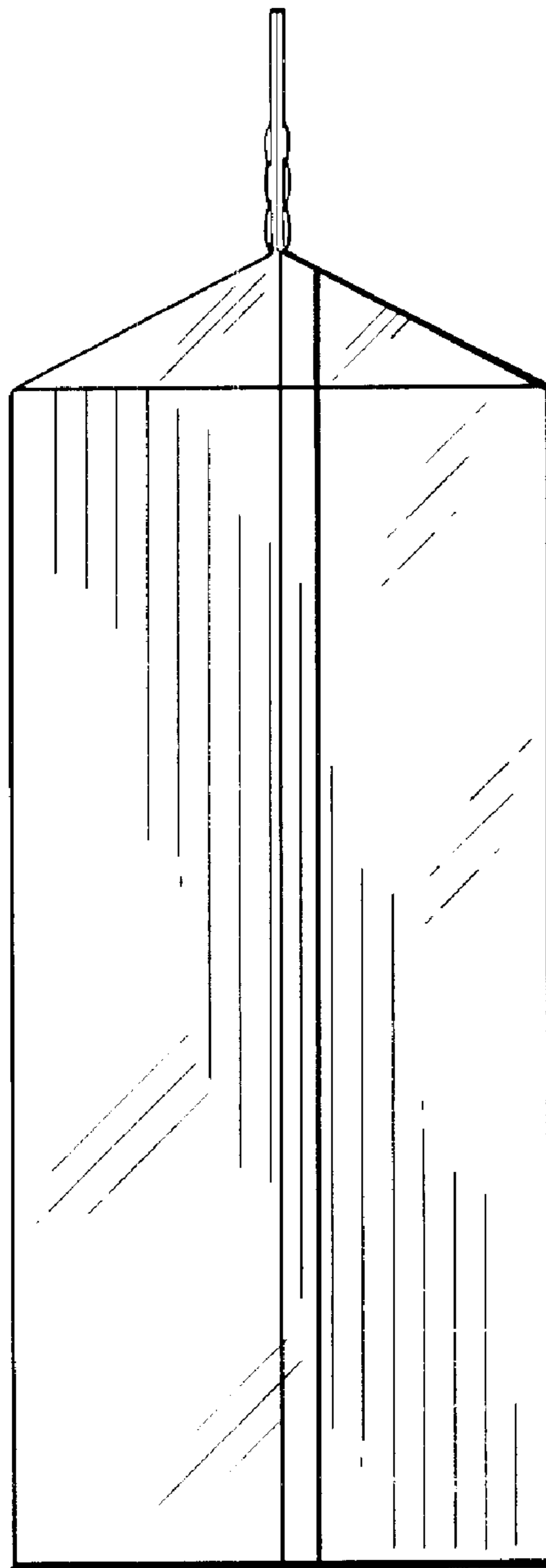


Fig. 4

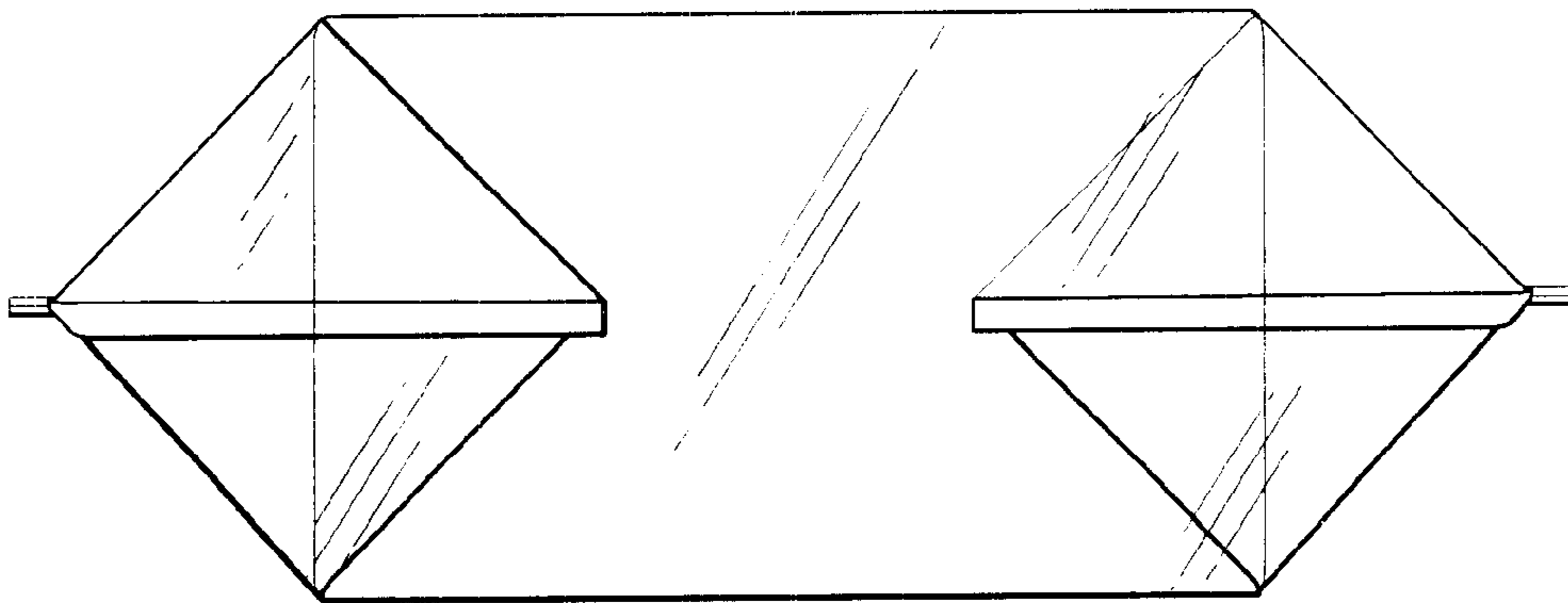
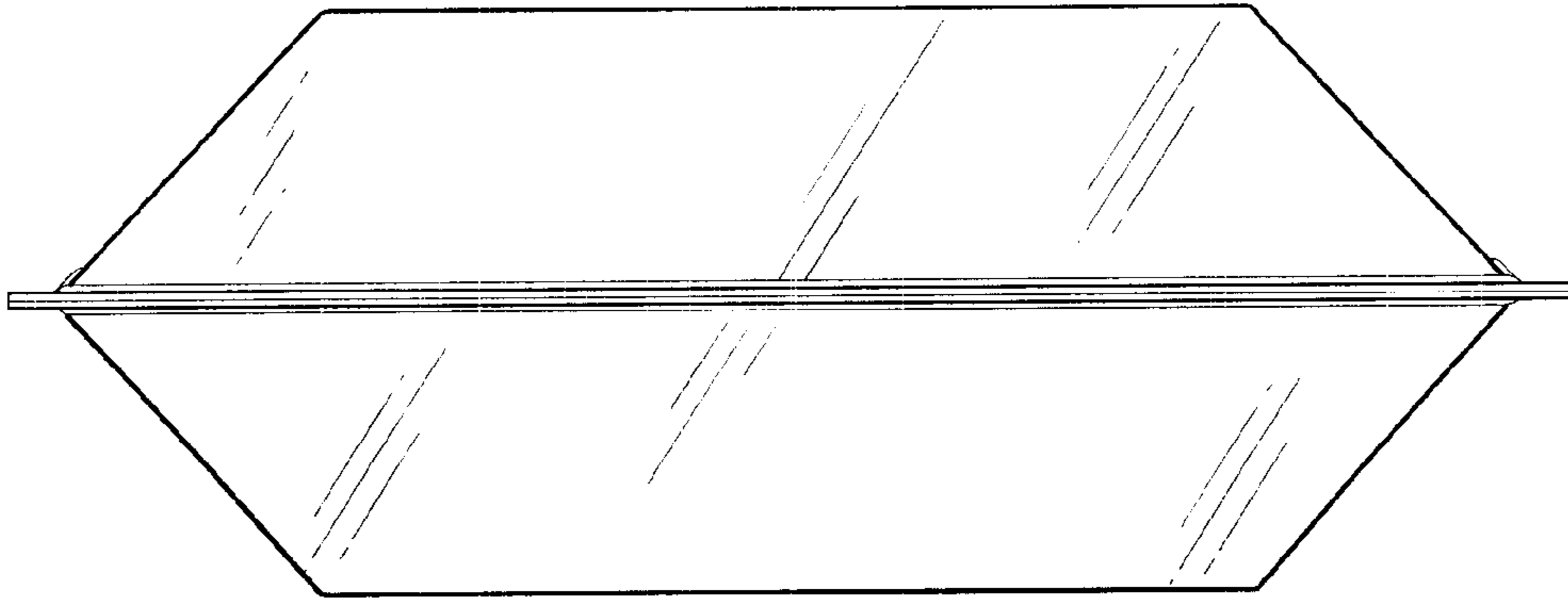


Fig. 5

Fig. 6

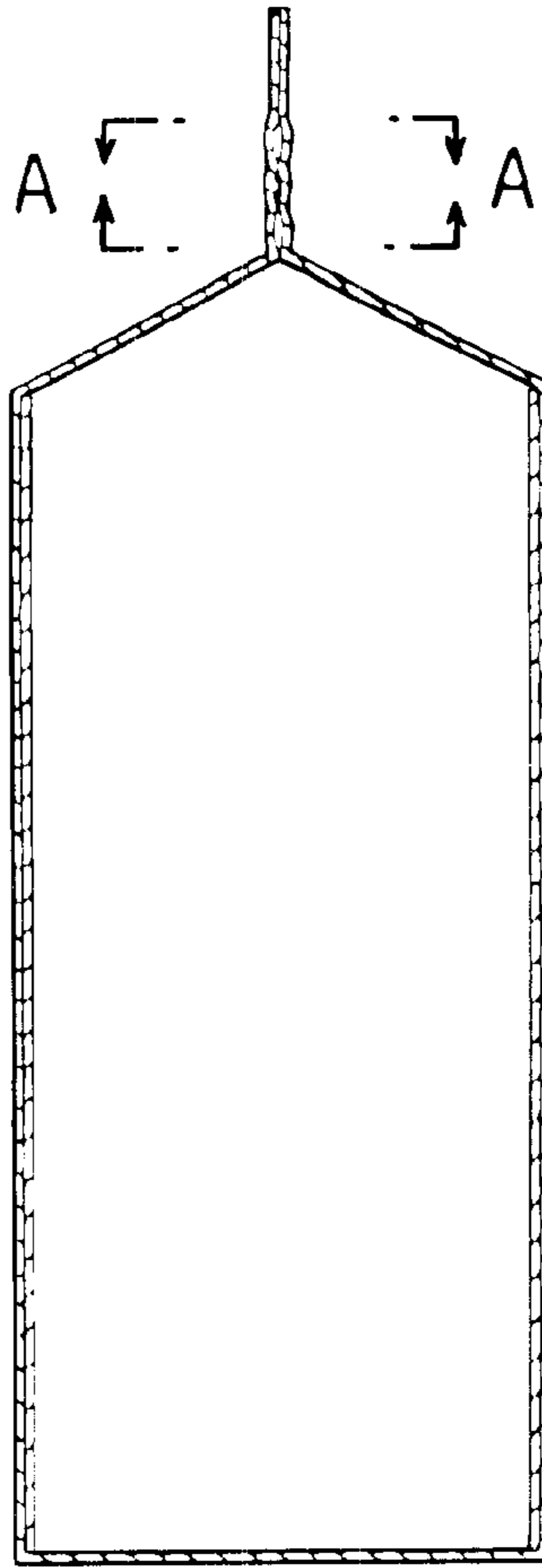


Fig. 7



Fig. 8

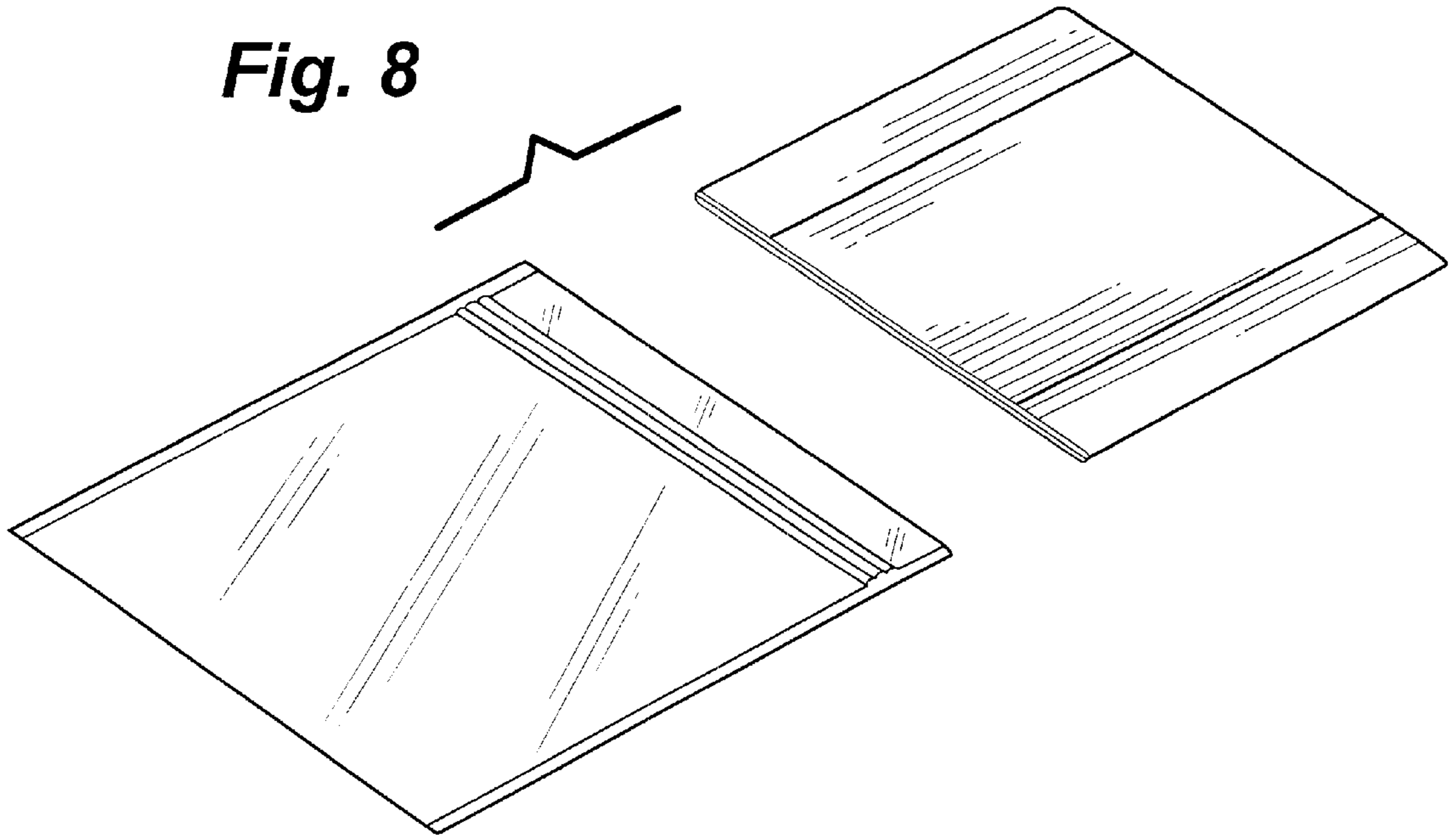


Fig. 9

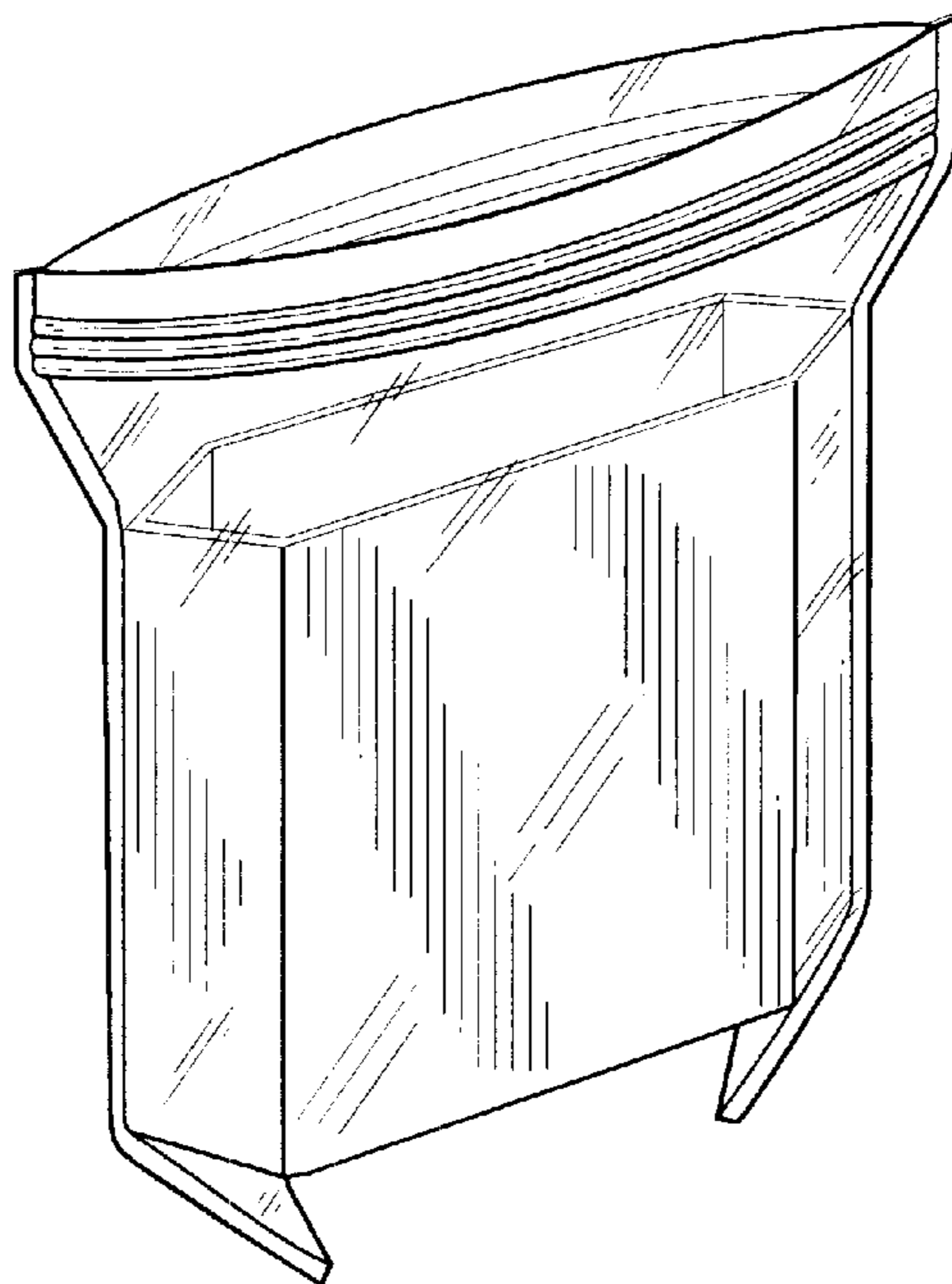


Fig. 10

