



US00D458117S

(12) **United States Design Patent**  
**Larson**

(10) **Patent No.:** **US D458,117 S**

(45) **Date of Patent:** **\*\* Jun. 4, 2002**

(54) **TWO-PRONG FASTENING PIN**

(76) **Inventor:** **Ward M. Larson, 2520 W. Olymipia Dr., Yukon, OK (US) 73099**

(\*\*) **Term:** **14 Years**

(21) **Appl. No.:** **29/134,220**

(22) **Filed:** **Dec. 18, 2000**

(51) **LOC (7) Cl.** ..... **08-08**

(52) **U.S. Cl.** ..... **D8/389**

(58) **Field of Search** ..... D8/389, 387, 390,  
D8/391, 393, 382, 388; 292/327; 411/485,  
439, 923, 509, 510, 451, 455, 484, 487,  
493, 497, 908, 913

(56) **References Cited**

**U.S. PATENT DOCUMENTS**

D28,350 S	*	3/1898	Reuter	.....	D8/390
D224,086 S	*	7/1972	Willis	.....	D8/390
4,655,423 A		4/1987	Schavilje		
4,801,064 A		1/1989	Mangone, Jr.		
4,897,007 A		1/1990	Chen		
4,903,920 A		2/1990	Merritt		
4,988,249 A		1/1991	Kardefeldt		
D324,649 S		3/1992	Lederhaus, Jr.		
5,370,487 A		12/1994	Kracke		

5,411,228 A	5/1995	Morowa
5,695,159 A	12/1997	Adams
5,718,548 A	2/1998	Cotellessa
5,800,109 A	9/1998	Carruthers
D409,663 S	5/1999	Wagner
D410,032 S	5/1999	Wagner
D414,207 S	9/1999	Wagner
5,967,468 A	10/1999	Veghte
D428,058 S	7/2000	Wagner

\* cited by examiner

*Primary Examiner*—Alan P. Douglas

*Assistant Examiner*—Clare E. Heflin

(74) *Attorney, Agent, or Firm*—Randal D. Homburg

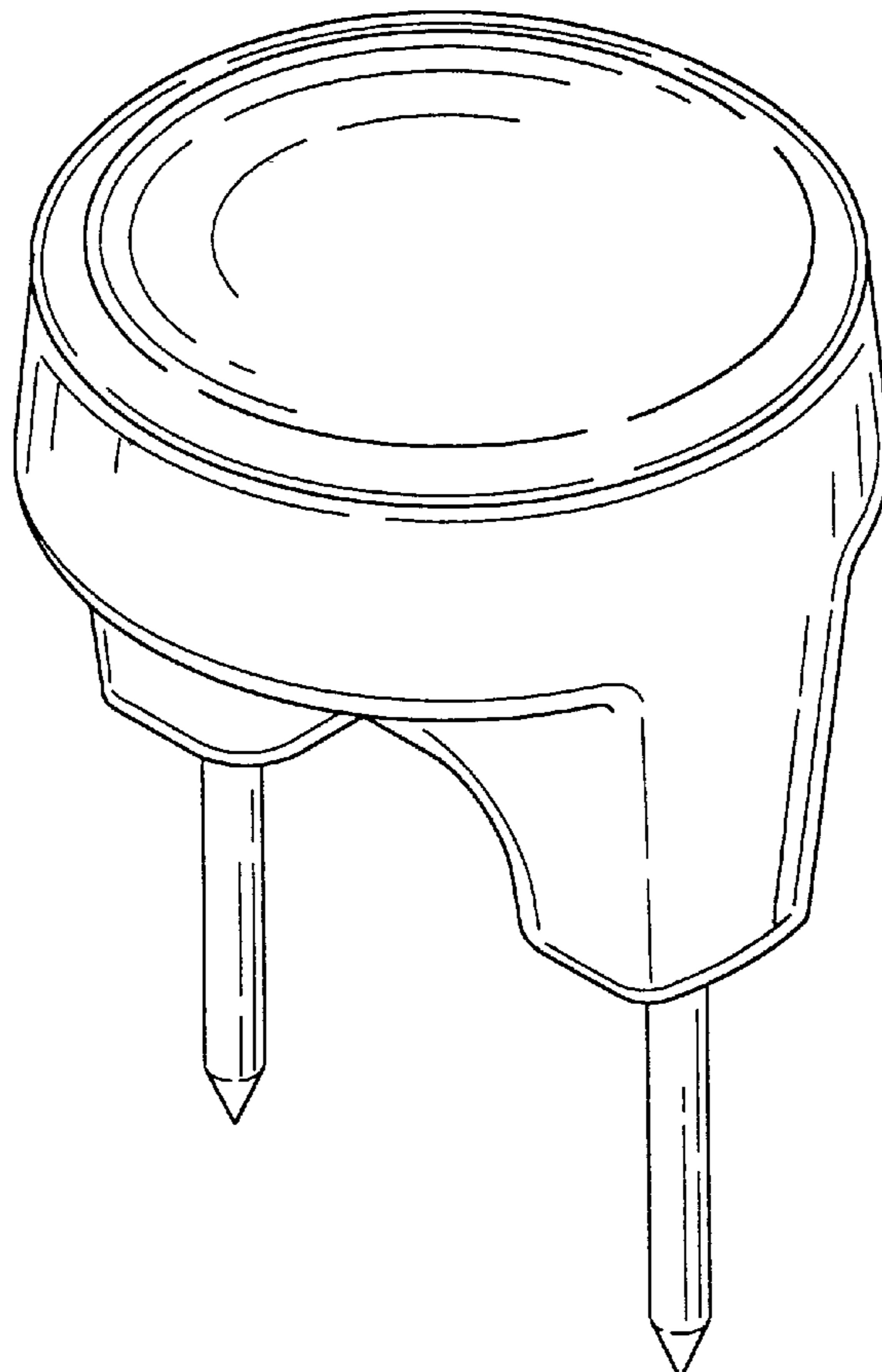
(57) **CLAIM**

The ornamental design for a two-prong fastening pin, as shown and described.

**DESCRIPTION**

FIG. 1 is a perspective view of the present invention.  
FIG. 2 is a top view of the present invention.  
FIG. 3 is a bottom view of the present invention.  
FIG. 4 is a right side view of the present invention.  
FIG. 5 is a left side view of the present invention.  
FIG. 6 is a front view of the present invention; and,  
FIG. 7 is a back view of the present invention.

**1 Claim, 2 Drawing Sheets**



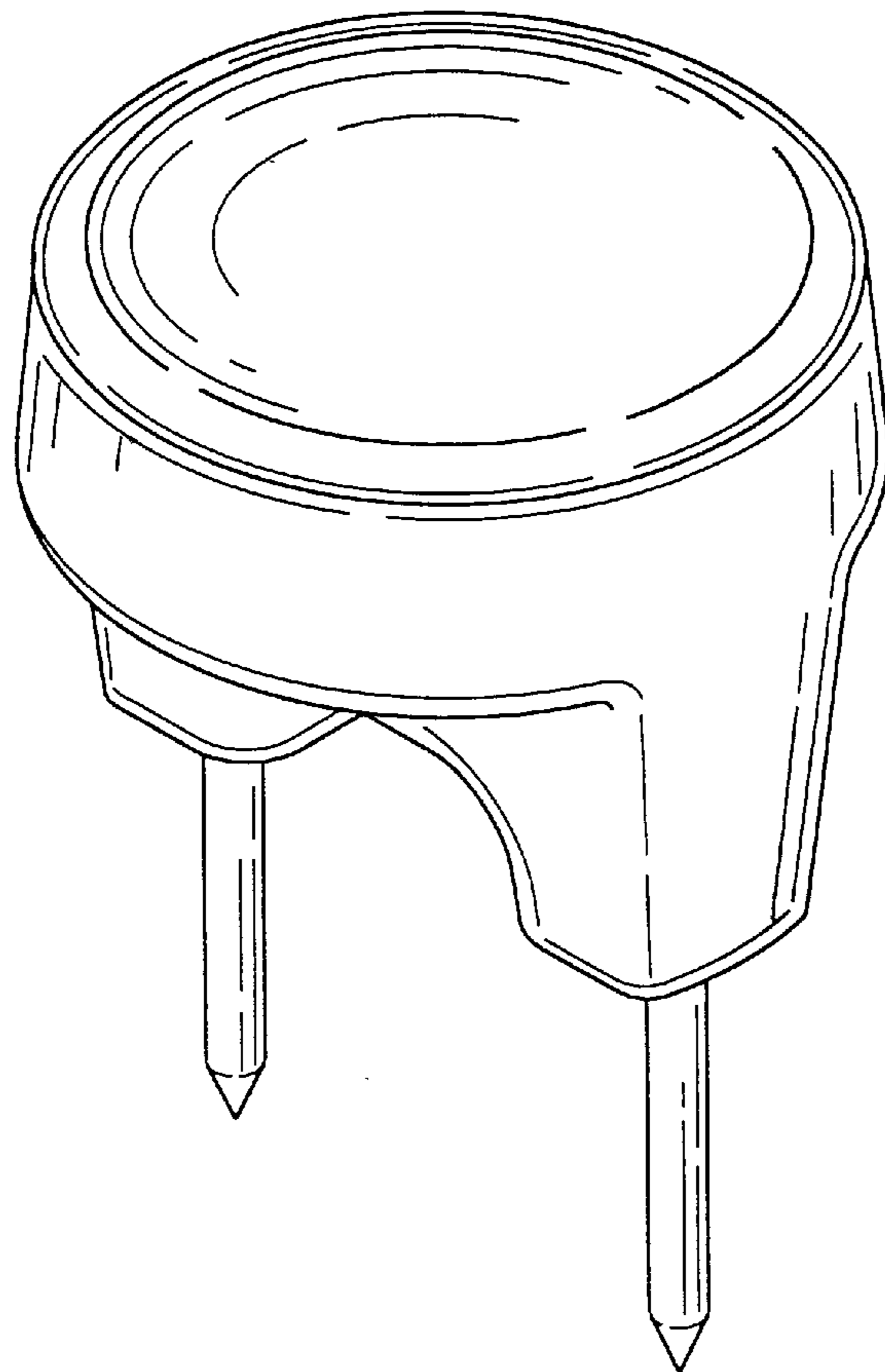


FIG. 1

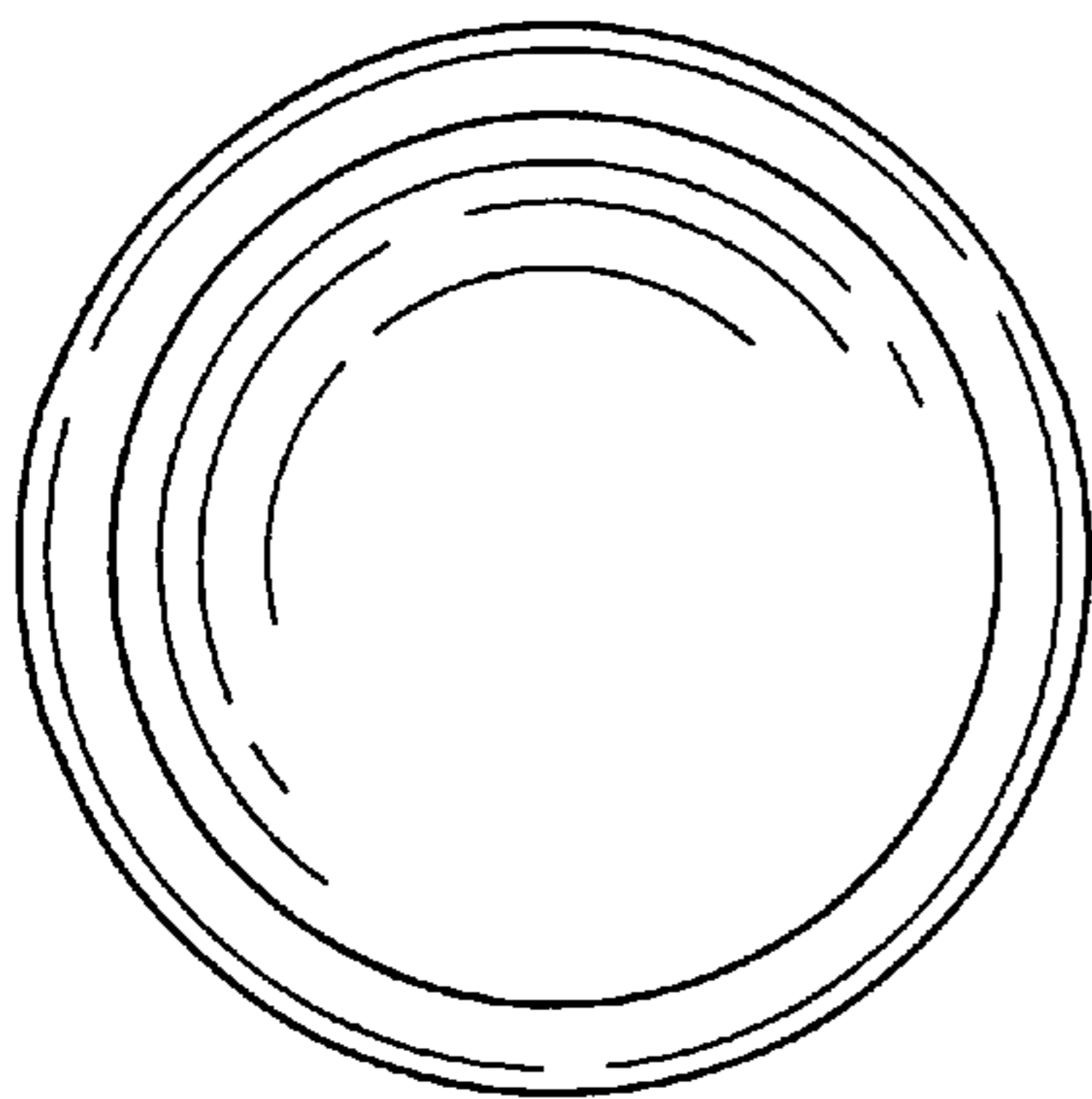


FIG. 2

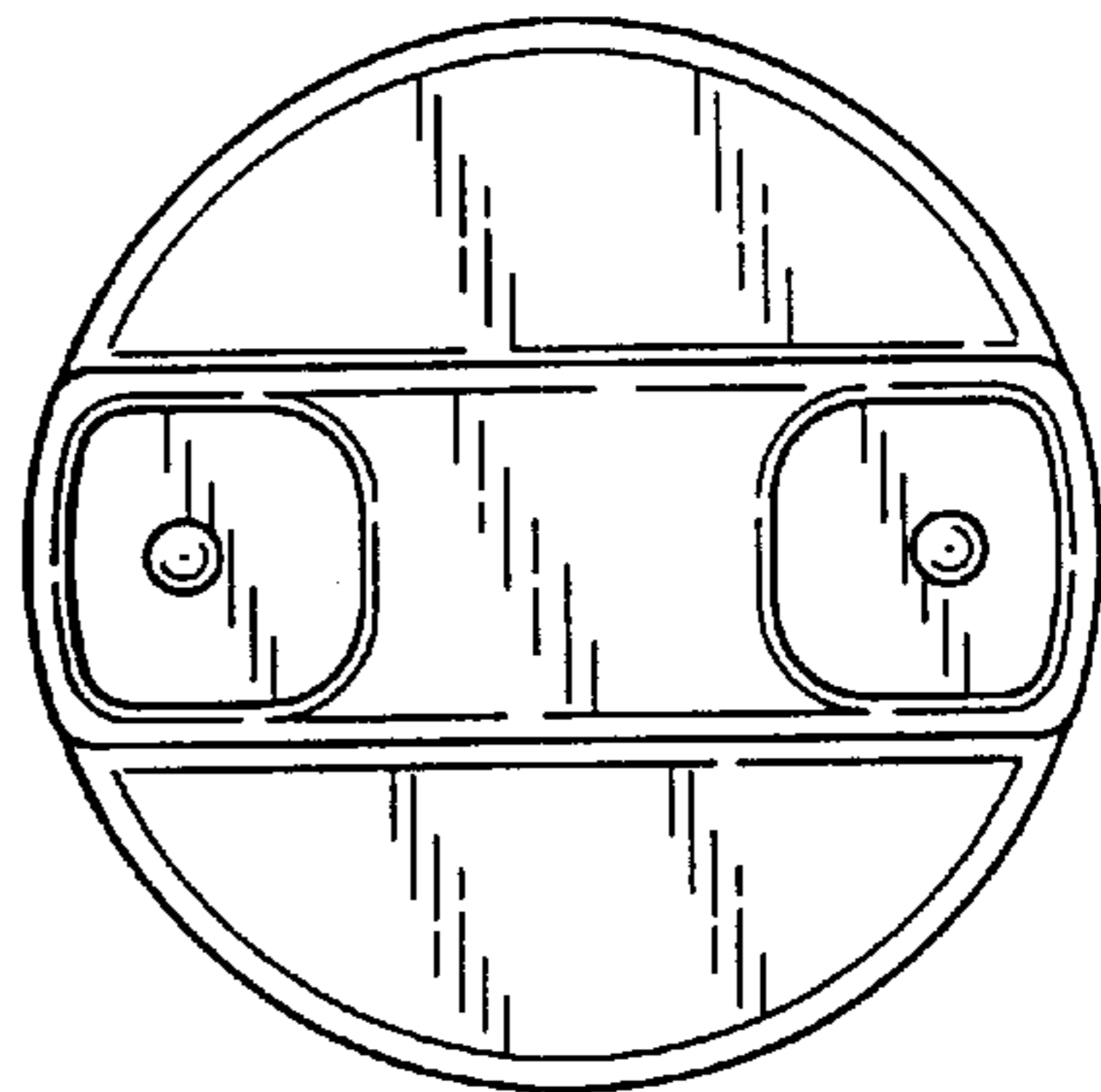


FIG. 3

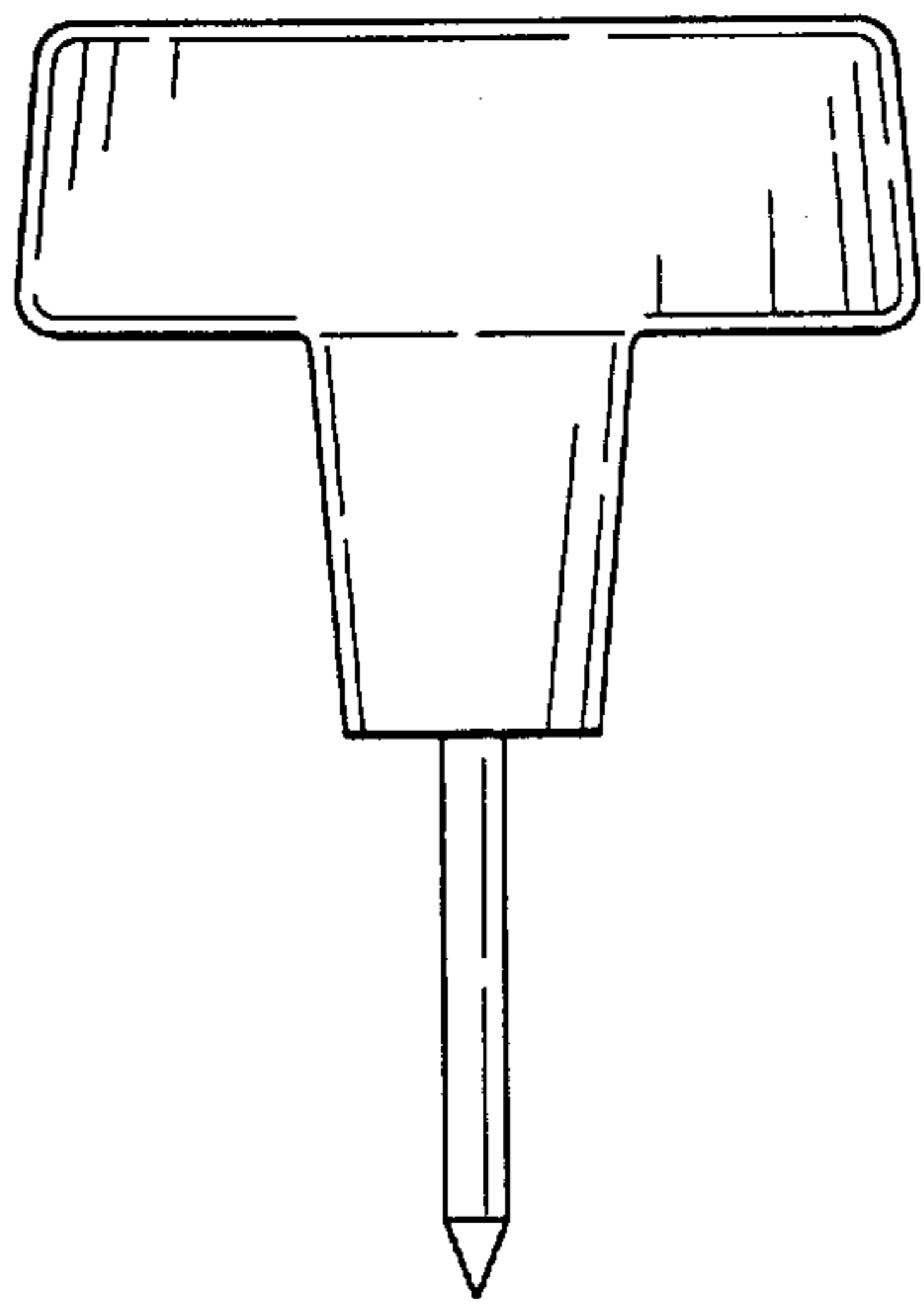


FIG. 4

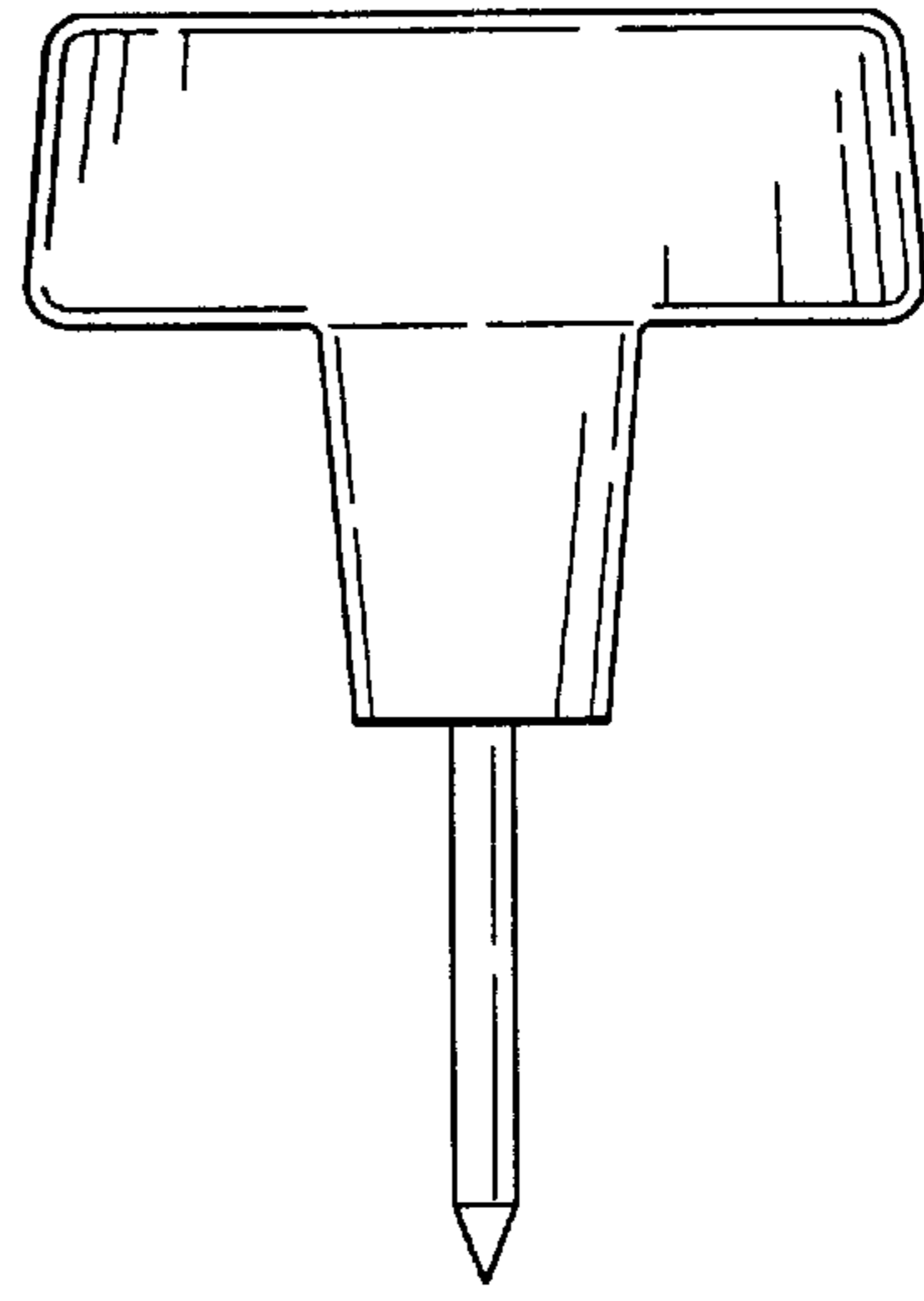


FIG. 5

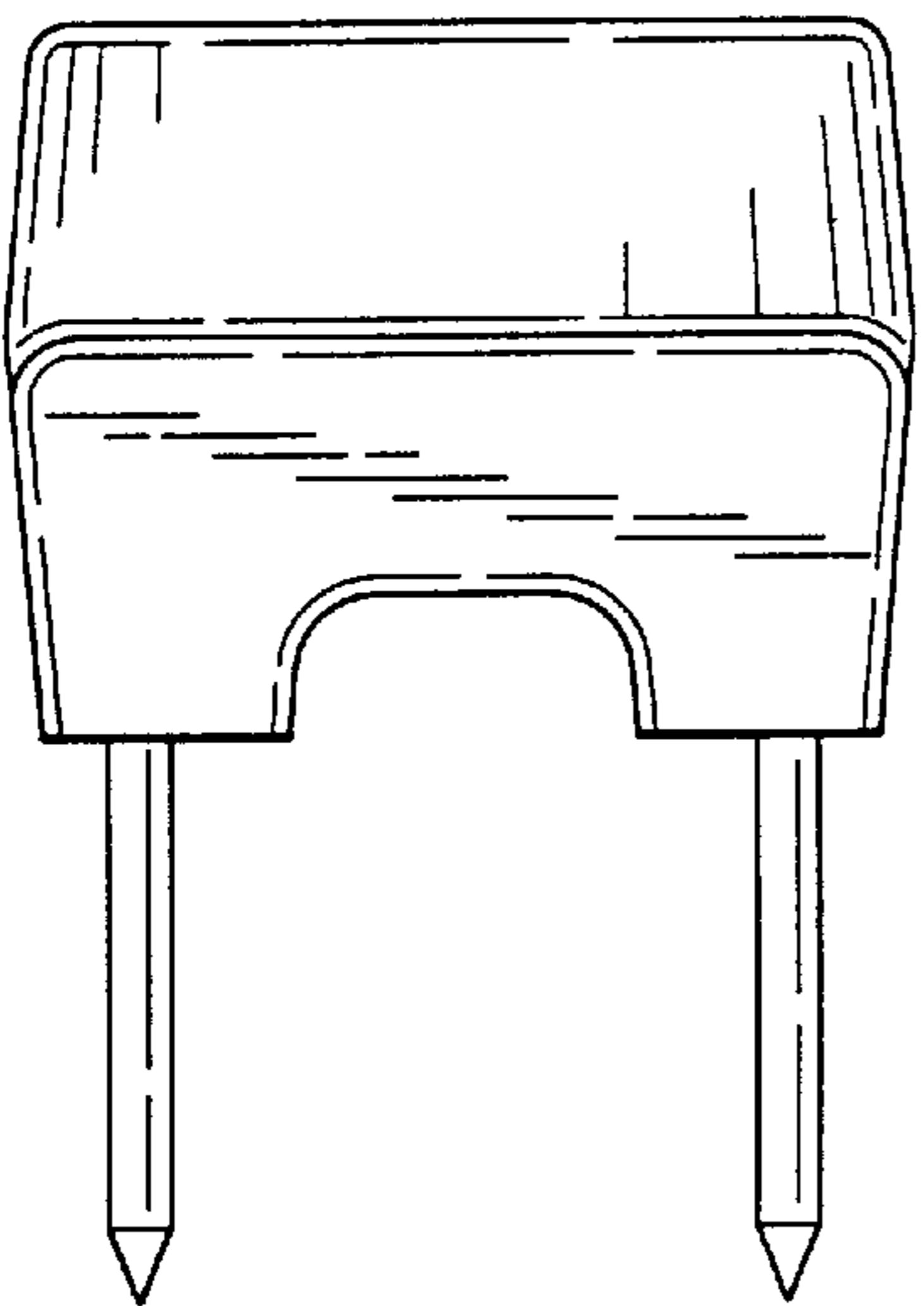


FIG. 6

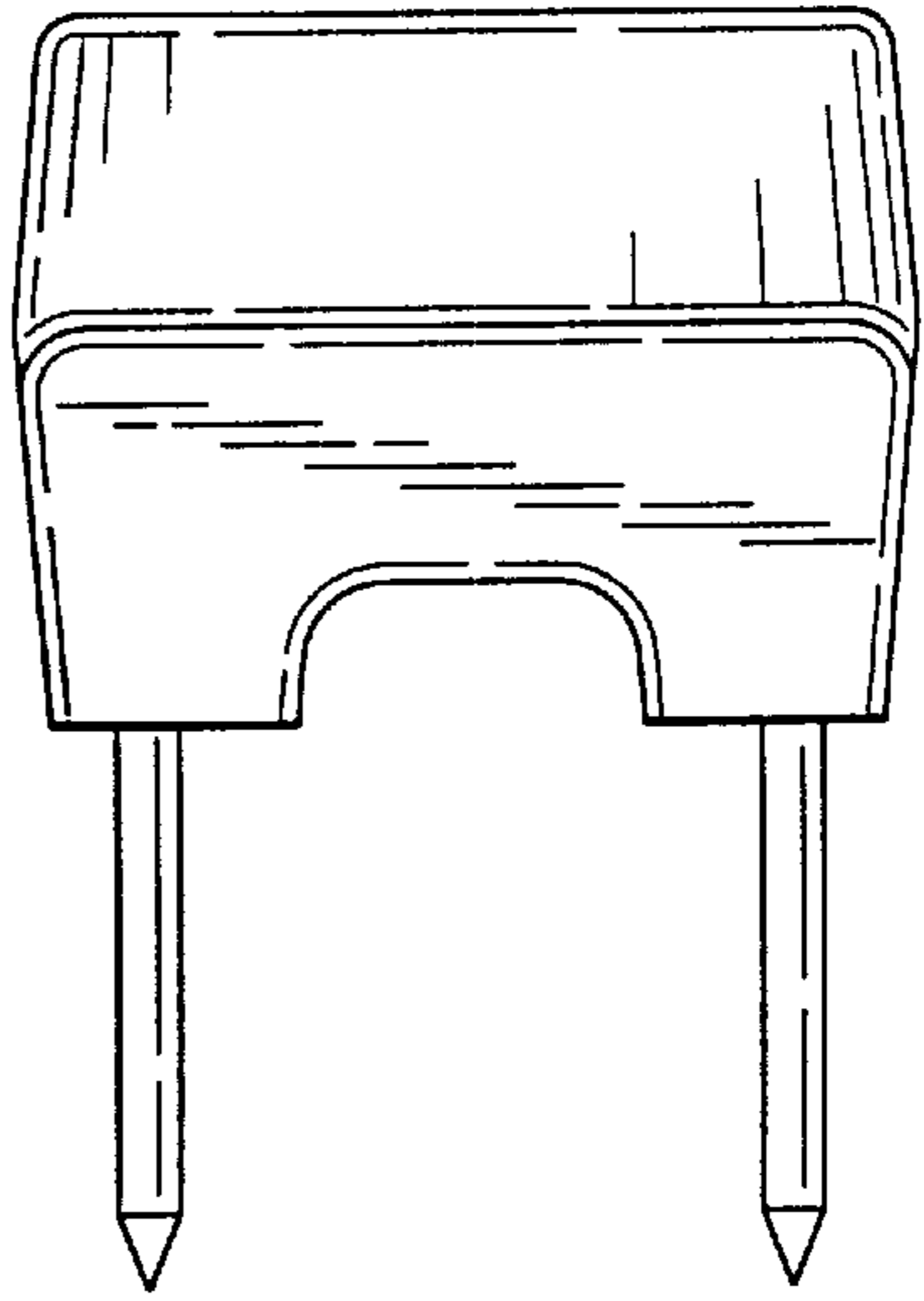


FIG. 7