



US00D458115S

(12) **United States Design Patent**  
**Harms**

(10) **Patent No.:** **US D458,115 S**

(45) **Date of Patent:** **\*\* Jun. 4, 2002**

(54) **VERTICAL BALUSTER BRACKET**

(76) Inventor: **Stephen J. Harms**, 610 Lima Center Rd., Chelsea, MI (US) 48118

(\*\*) Term: **14 Years**

(21) Appl. No.: **29/139,637**

(22) Filed: **Apr. 3, 2001**

(51) **LOC (7) Cl.** ..... **08-05**

(52) **U.S. Cl.** ..... **D8/363; D8/370**

(58) **Field of Search** ..... D8/367, 370, 363; D6/404; 248/302, 303, 339, 213.3, 210, 213, 218.4, 249, 340; 52/685, 719; 239/33

(56) **References Cited**

**U.S. PATENT DOCUMENTS**

- 3,559,939 A \* 2/1971 Luna ..... 248/210
- 3,722,164 A \* 3/1973 Schmidgall ..... 52/684
- 5,181,363 A \* 1/1993 Leach et al. .... 52/685

\* cited by examiner

*Primary Examiner*—Pamela Burgess

(74) *Attorney, Agent, or Firm*—James M. Deimen

(57) **CLAIM**

The ornamental design for a vertical baluster bracket, as shown and described.

**DESCRIPTION**

FIG. 1 is a perspective view of a vertical baluster bracket showing my new design, the broken lines shown are for illustrative purposes only and forms no part of the claimed design;

FIG. 2 is a front elevational view;

FIG. 3 is a back elevational view;

FIG. 4 is a right end view;

FIG. 5 is a left end view;

FIG. 6 is a top plan view; and,

FIG. 7 is a bottom plan view.

**1 Claim, 2 Drawing Sheets**

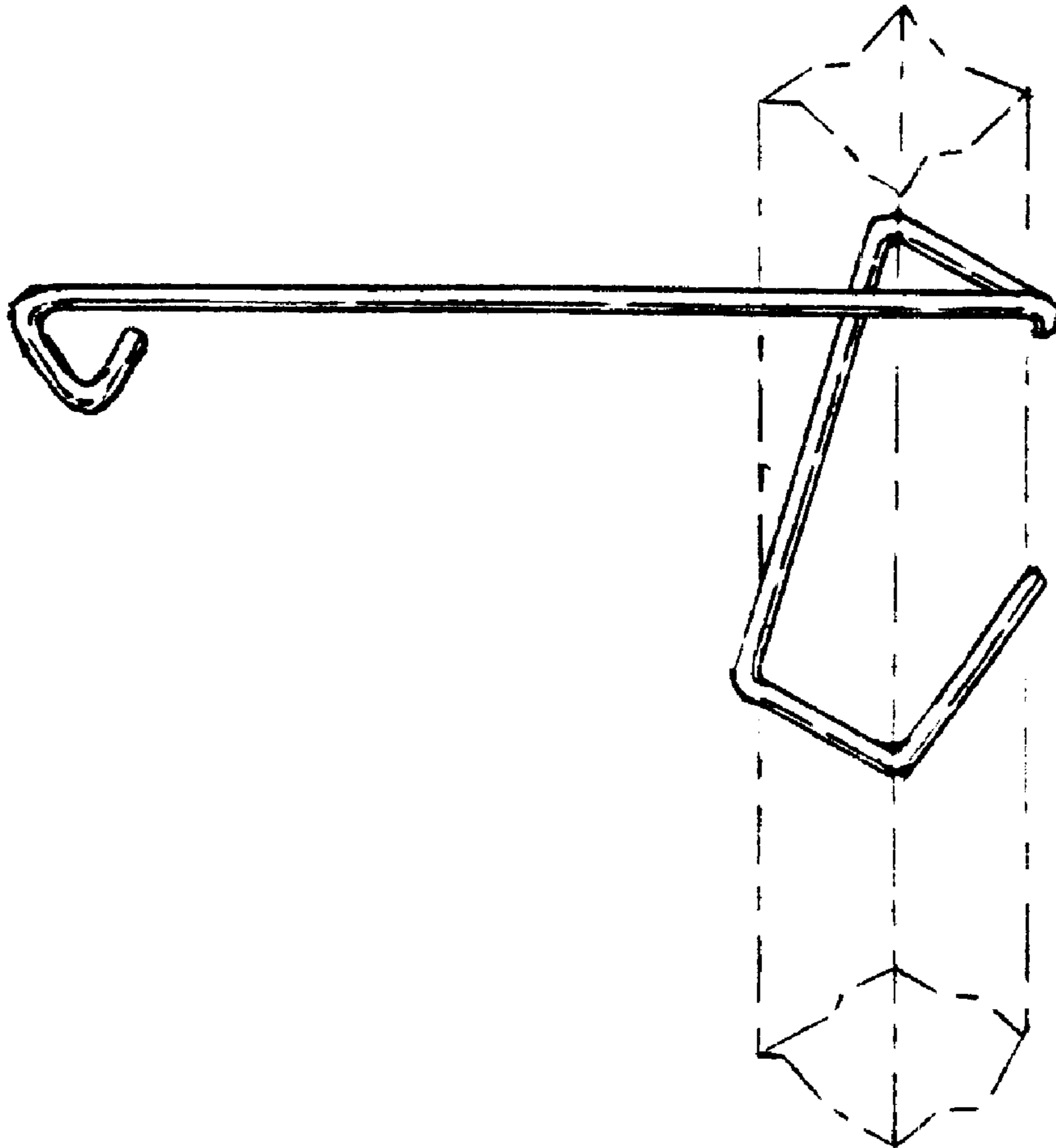


FIG 1

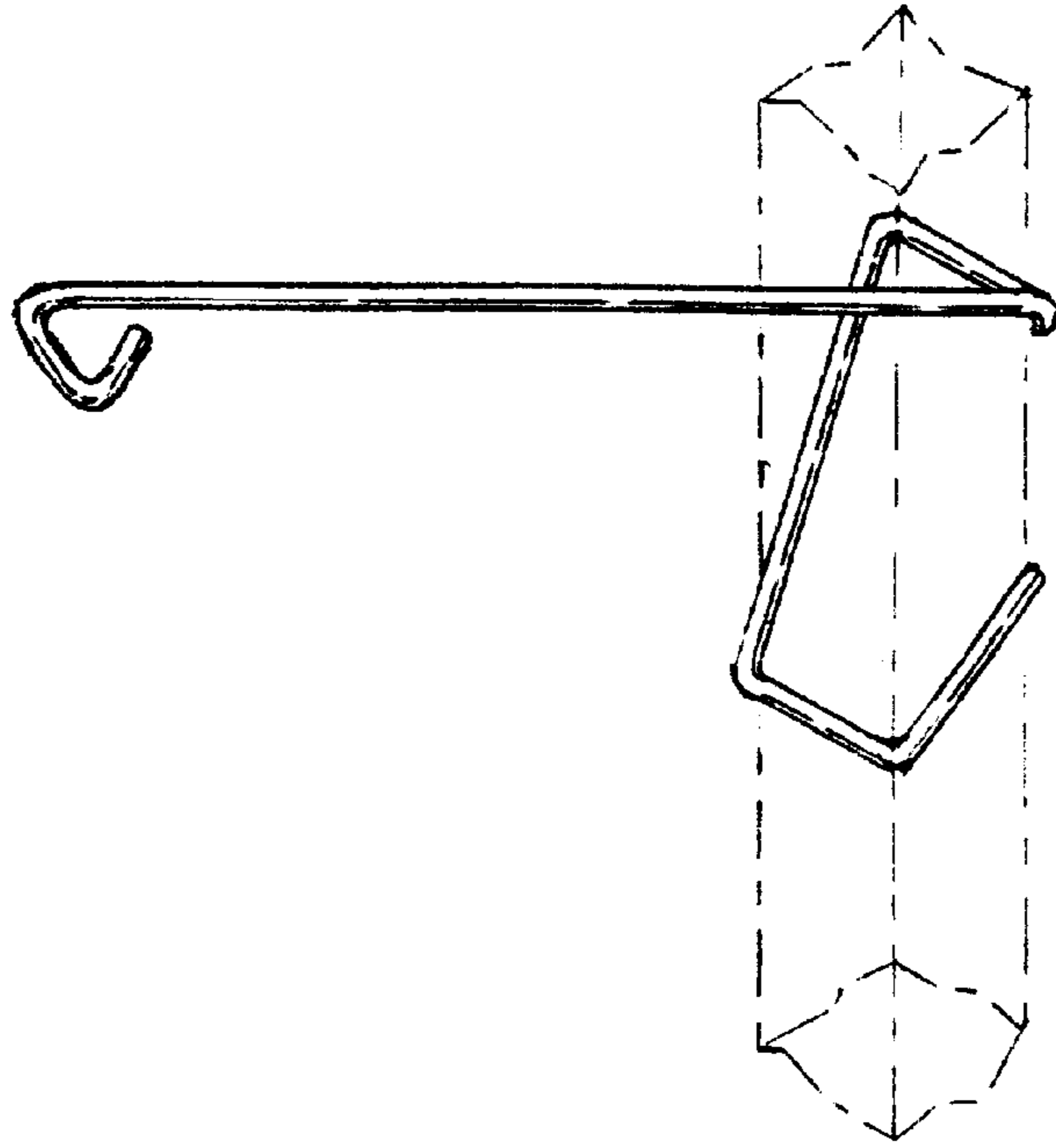


FIG 2

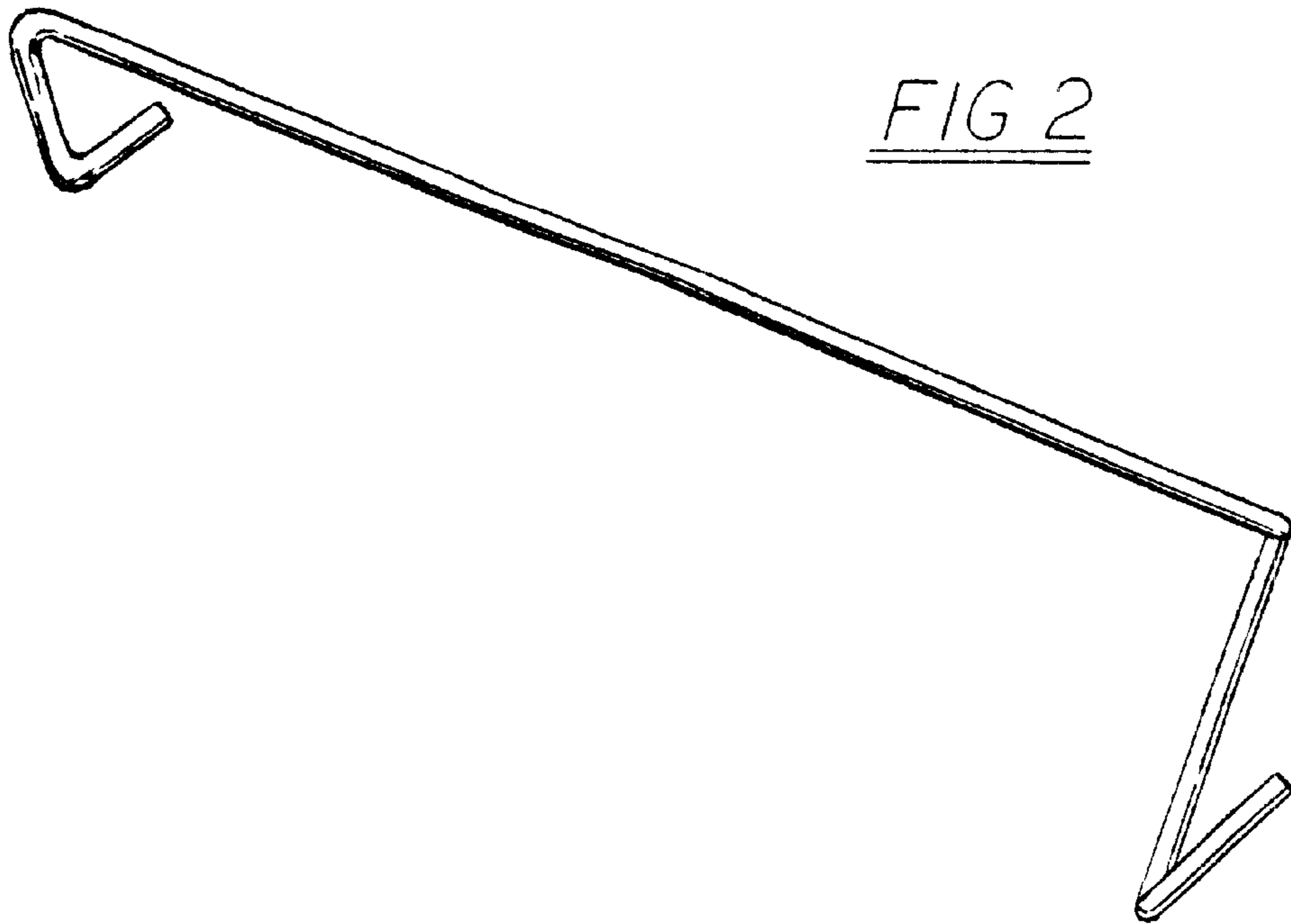


FIG 3

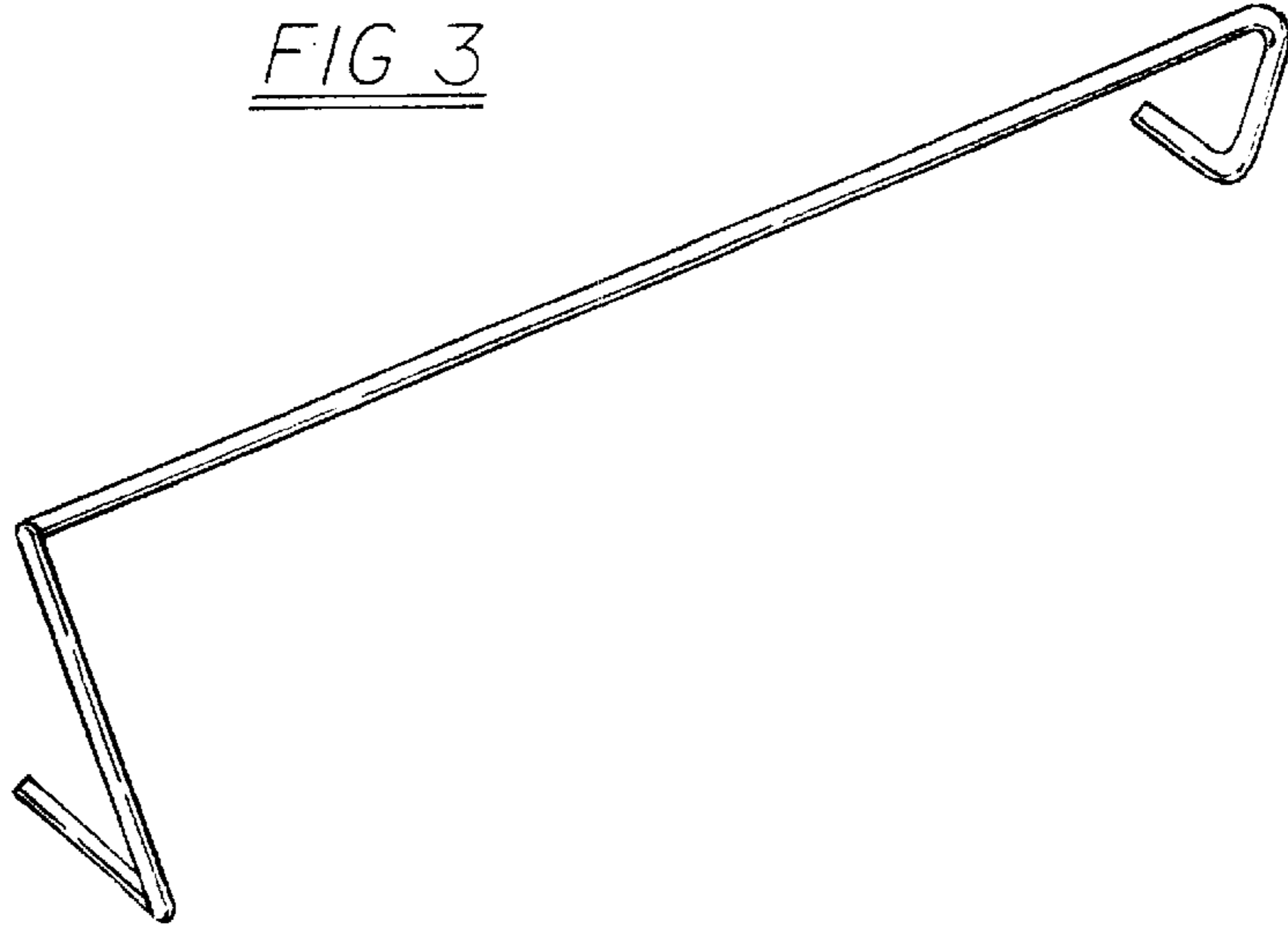


FIG 4

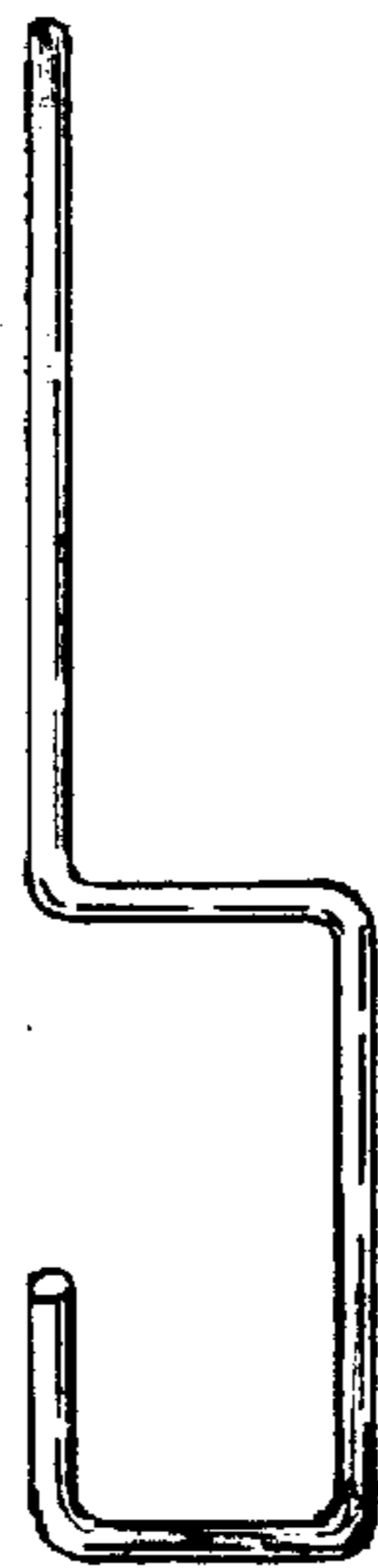


FIG 5

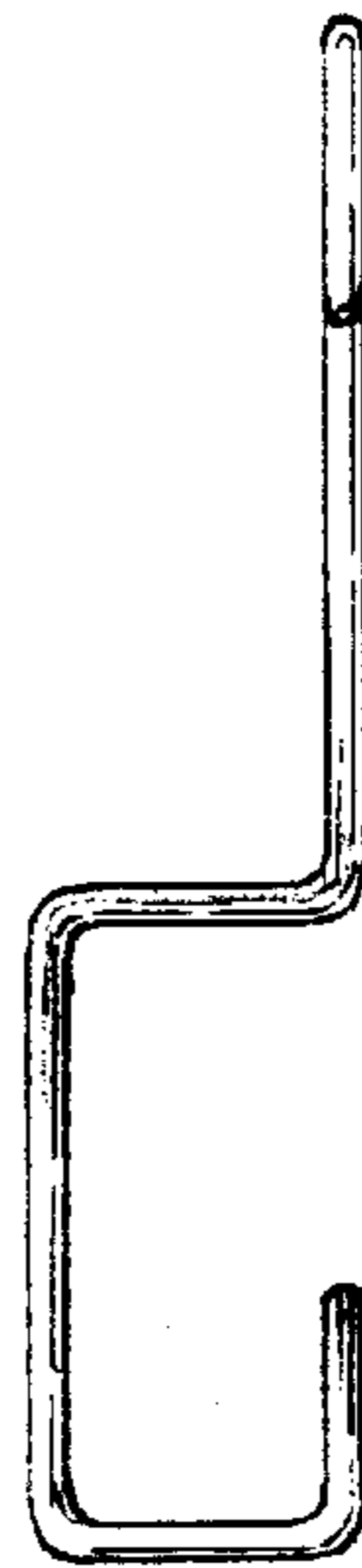


FIG 6

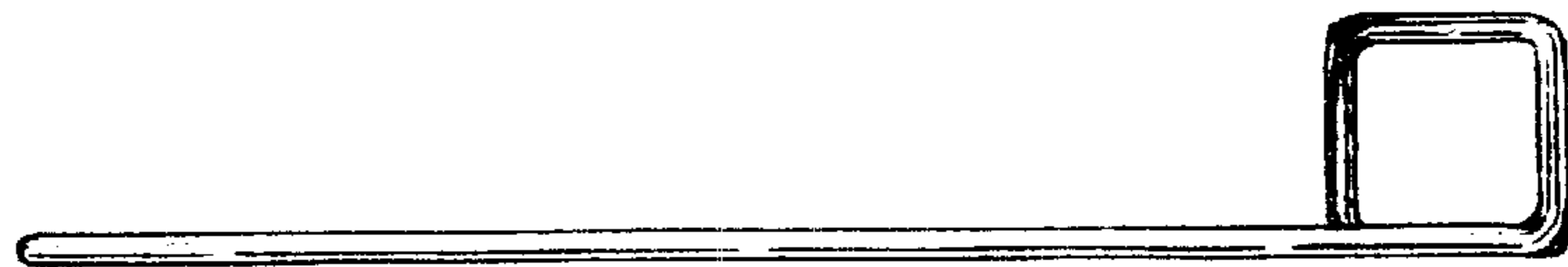


FIG 7

