



US00D458110S

(12) **United States Design Patent**
Landeros

(10) **Patent No.:** **US D458,110 S**

(45) **Date of Patent:** **** Jun. 4, 2002**

(54) **SLAM LATCH**

(75) **Inventor:** **Jonathan Mark Landeros**, Norwalk,
CA (US)

(73) **Assignee:** **Sierra Pacific Engineering and
Products**, Rancho Dominguez, CA (US)

(**) **Term:** **14 Years**

(21) **Appl. No.:** **29/144,839**

(22) **Filed:** **Jul. 11, 2001**

(51) **LOC (7) Cl.** **08-07**

(52) **U.S. Cl.** **D8/338; D8/331**

(58) **Field of Search** D8/330, 331, 336,
D8/338, 341, 343; 292/173, 194, 217, 226,
236

(56) **References Cited**

U.S. PATENT DOCUMENTS

2,642,300 A * 6/1953 Pelcin 292/173
2,987,908 A * 6/1961 Pelcin D8/331 X
D230,132 S * 1/1974 Pastva, Jr. D8/341

D303,618 S * 9/1989 Kilham D8/306
D383,664 S * 9/1997 Bennett D8/331
D390,443 S * 2/1998 Zenner D8/331

* cited by examiner

Primary Examiner—Brian N. Vinson

(74) *Attorney, Agent, or Firm*—Christie, Parker & Hale,
LLP

(57) **CLAIM**

The ornamental design for slam latch, as shown and
described.

DESCRIPTION

FIG. 1 is a front right perspective view of the slam latch of
the invention;
FIG. 2 is a front plan view of the slam latch of FIG. 1.
FIG. 3 is a rear plan view of the slam latch of FIG. 2.
FIG. 4 is a top plan view of the slam latch of FIG. 1.
FIG. 5 is a bottom plan view of the slam latch of FIG. 1; and,
FIG. 6 is a right side view of the slam latch of FIG. 1, the
left side view being a mirror image thereof.

1 Claim, 6 Drawing Sheets

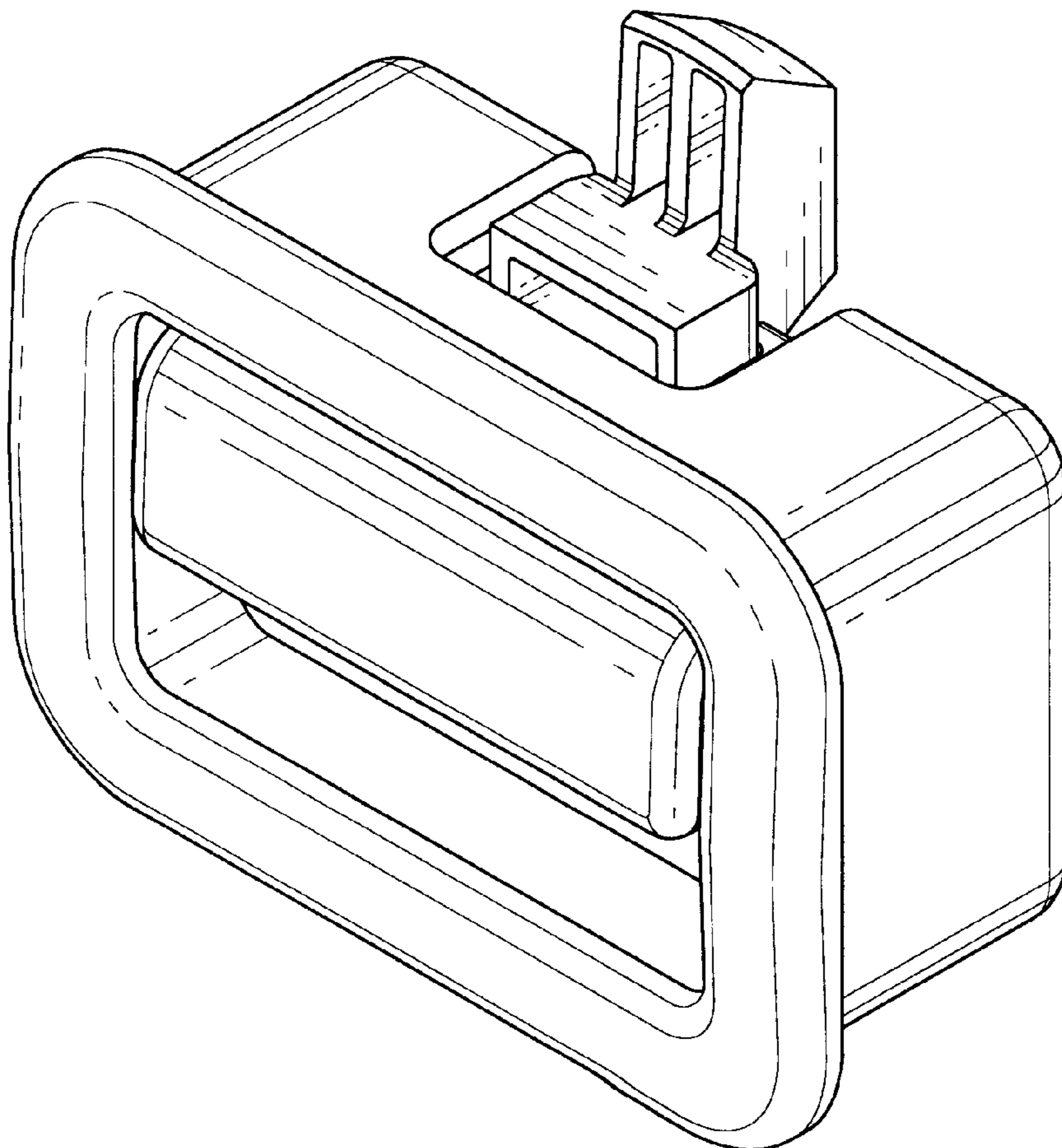
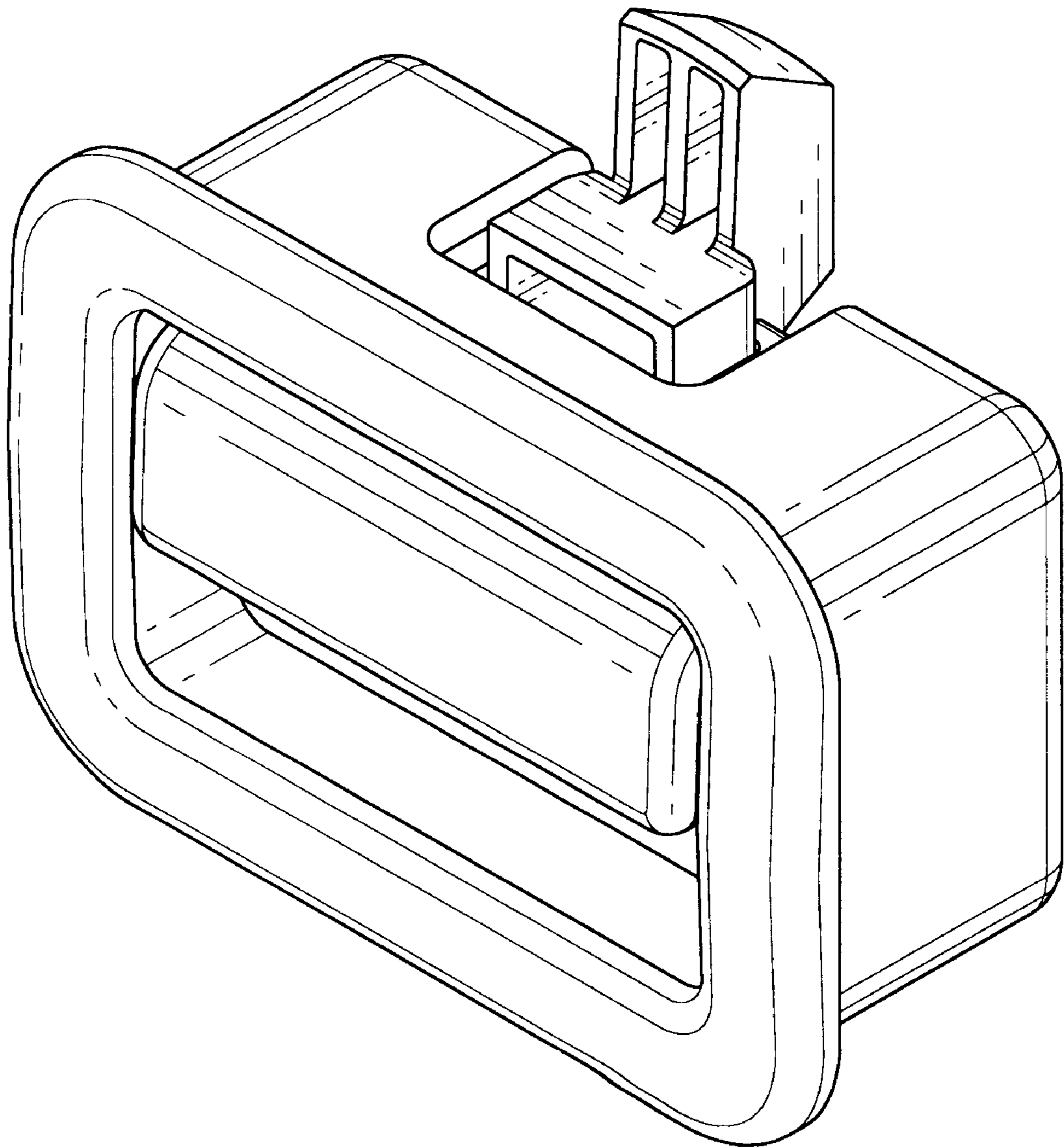


FIG. 1



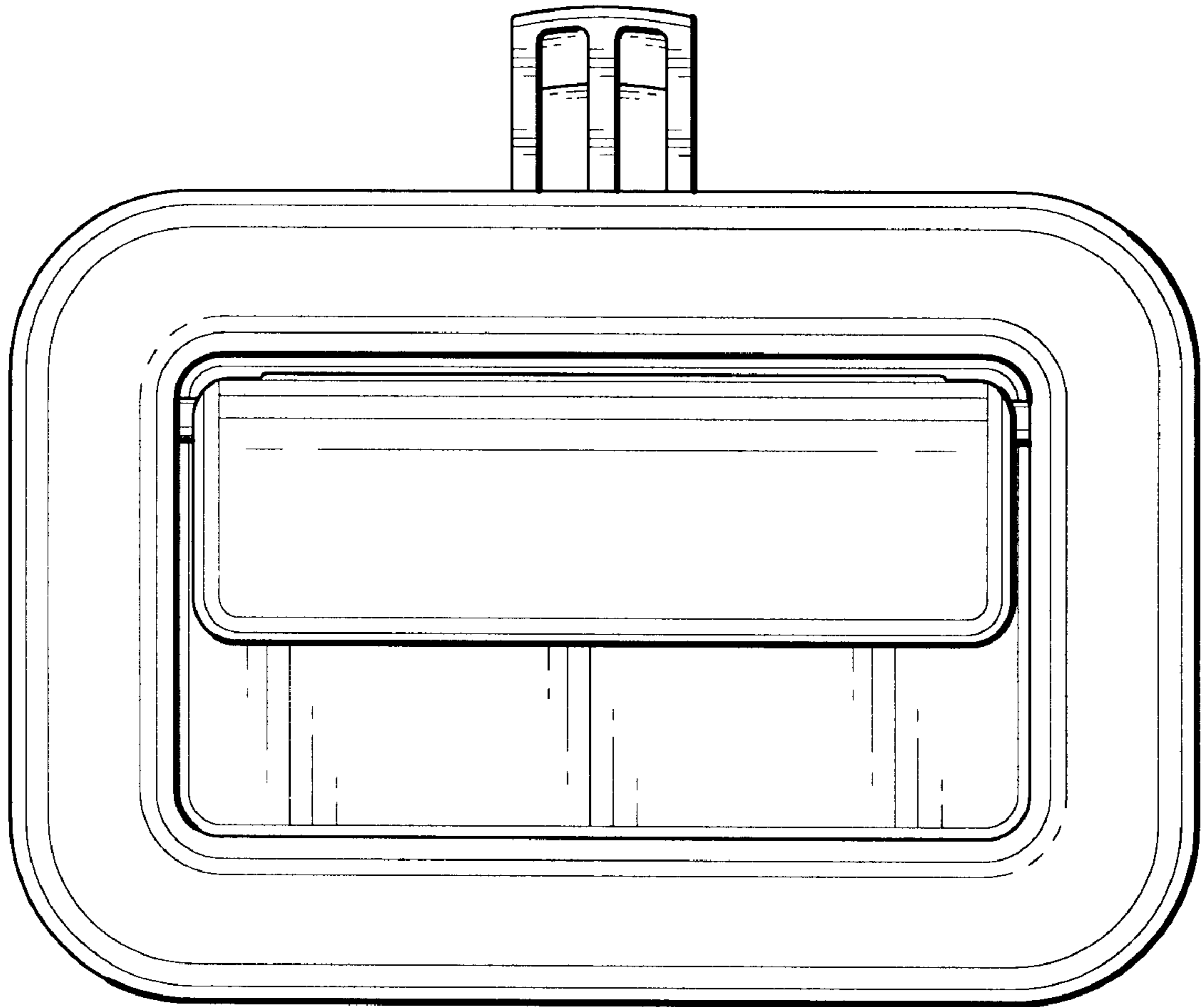


FIG. 2

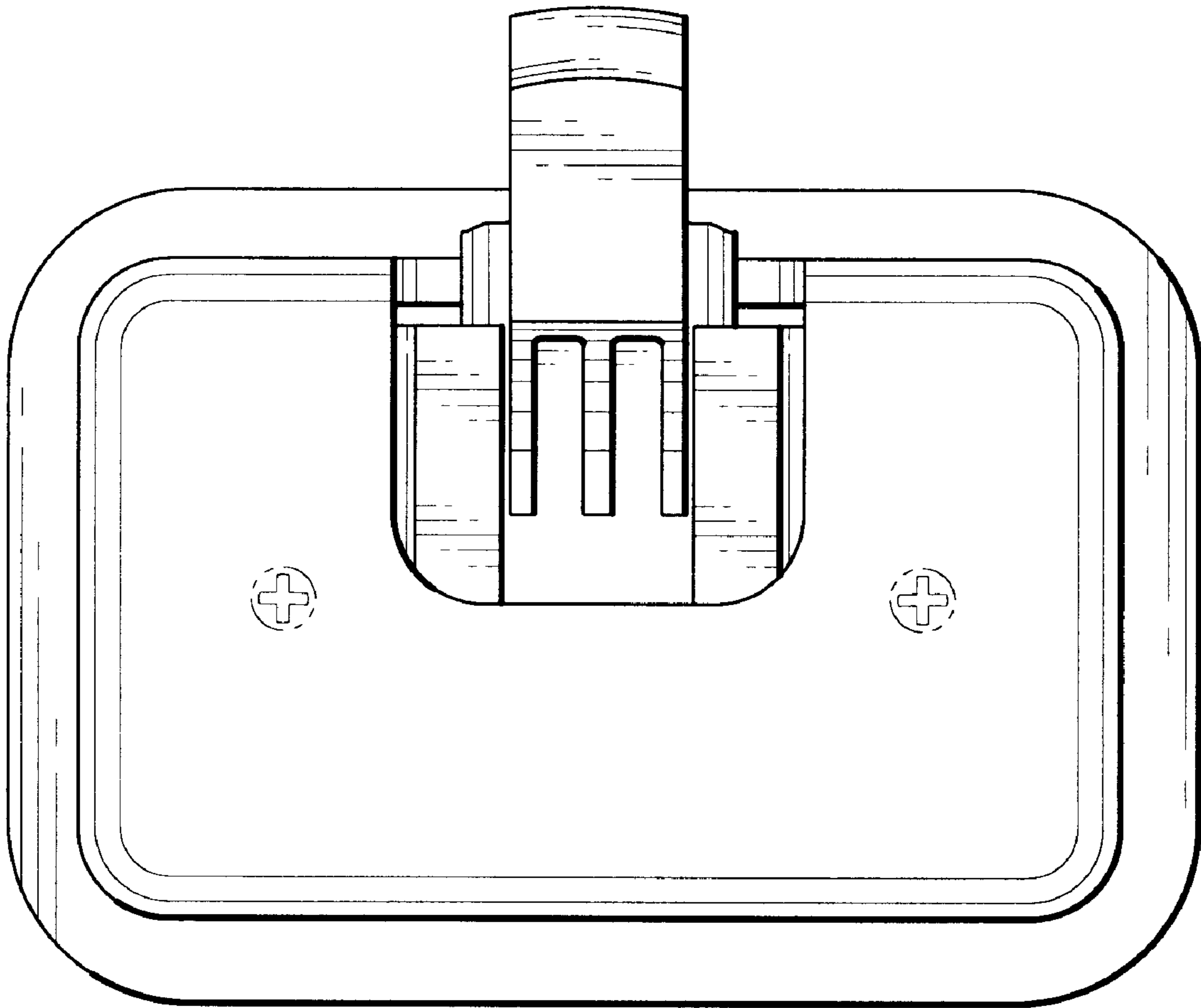


FIG. 3

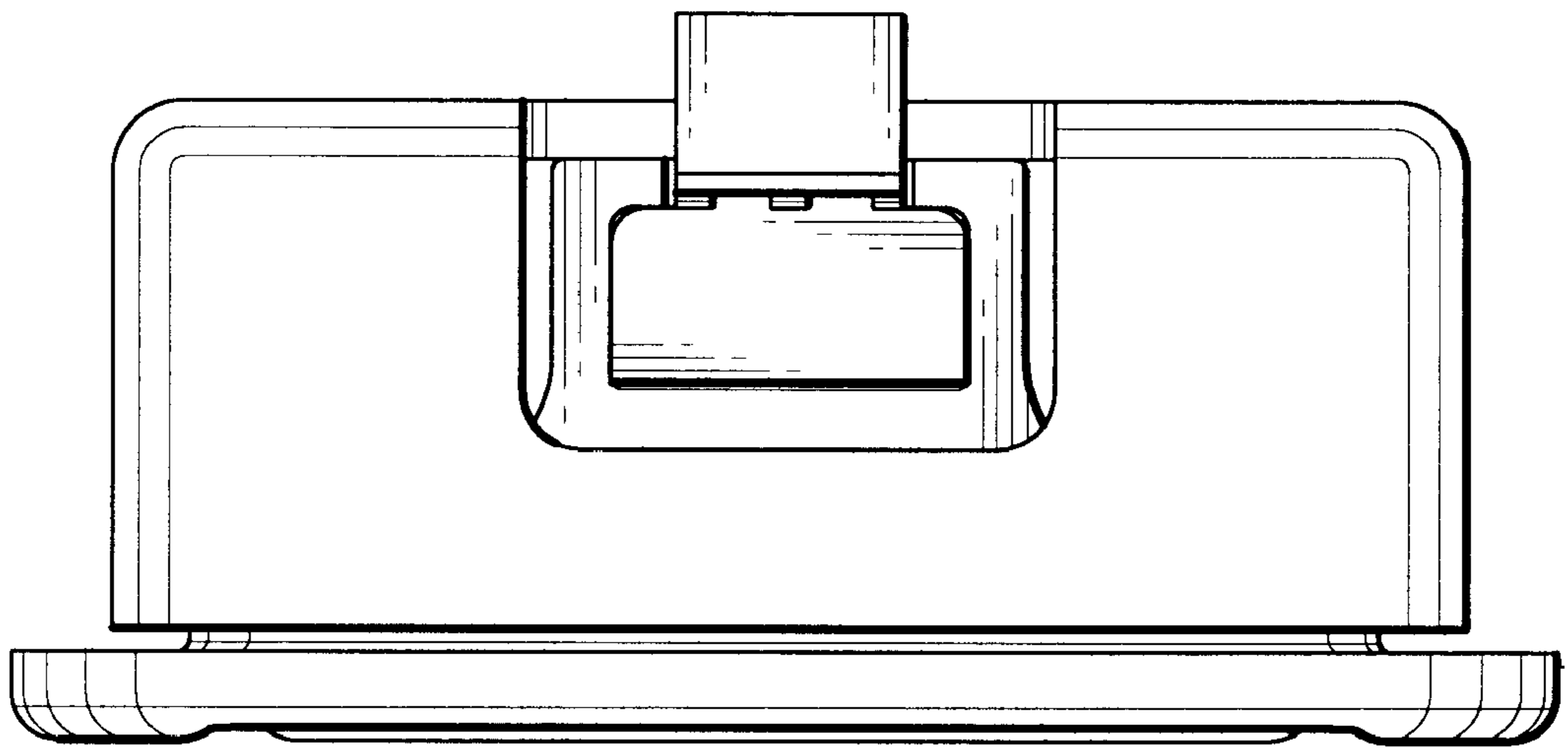


FIG. 4

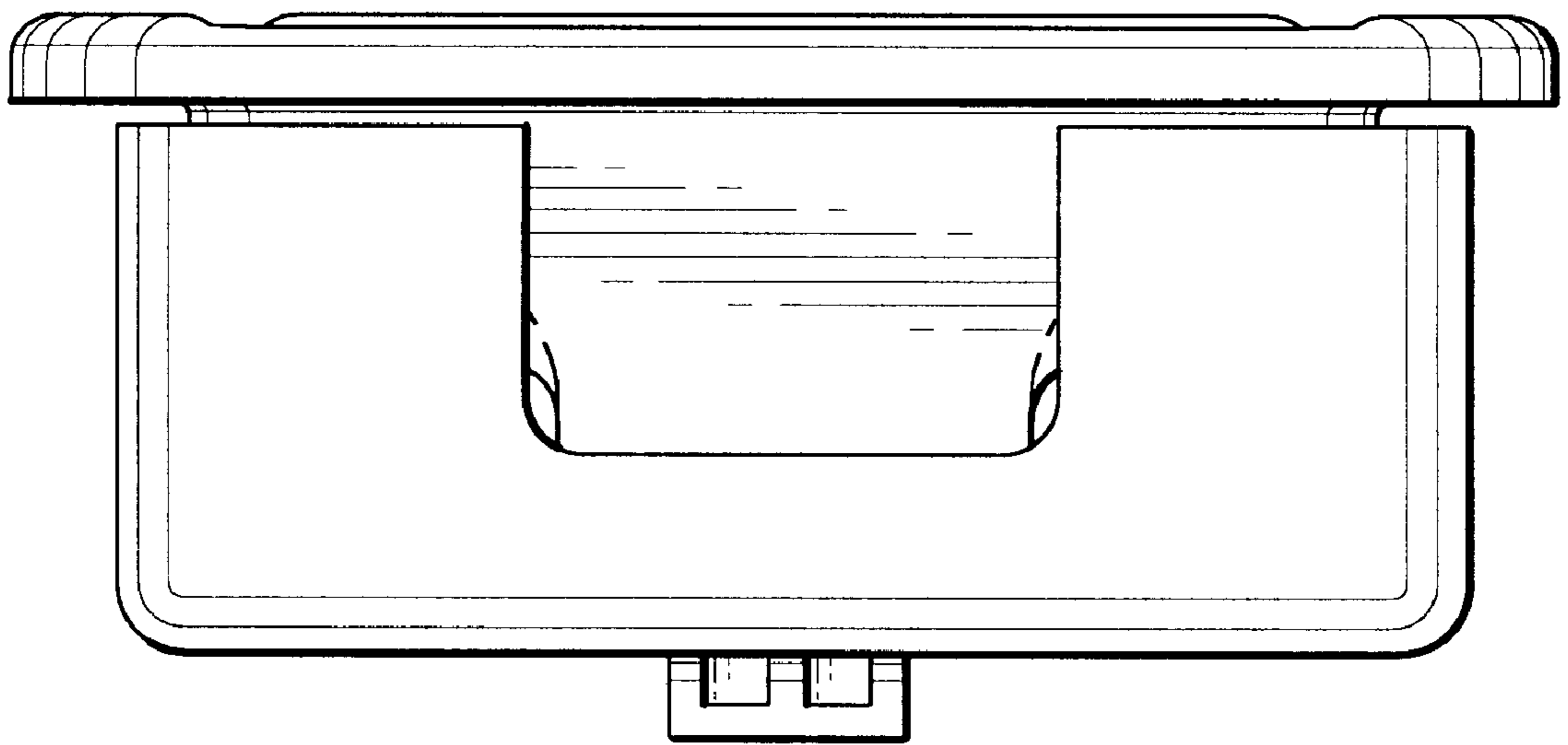


FIG. 5

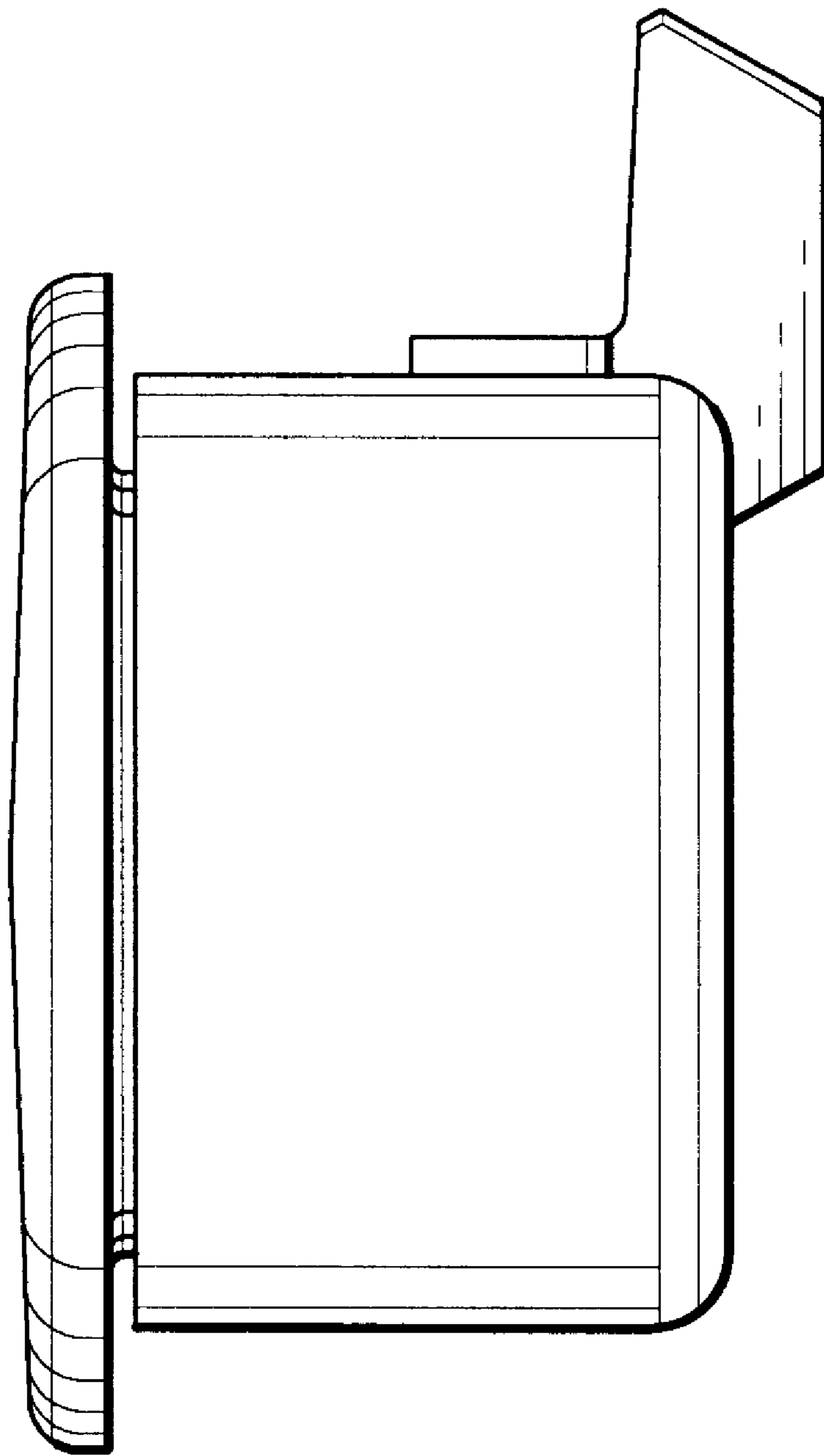


FIG. 6