



US00D458108S

(12) **United States Design Patent**
Corby

(10) **Patent No.:** **US D458,108 S**

(45) **Date of Patent:** **** Jun. 4, 2002**

(54) **TOILET SEAT LIFTING DEVICE**

(75) **Inventor:** **Peter John Siddons Corby, Cowes (GB)**

(73) **Assignee:** **Cordeal, Ltd., Cowes (GB)**

(**) **Term:** **14 Years**

(21) **Appl. No.:** **29/131,634**

(22) **Filed:** **Oct. 25, 2000**

(30) **Foreign Application Priority Data**

Apr. 27, 2000 (GB) 2092449

(51) **LOC (7) Cl.** **08-06**

(52) **U.S. Cl.** **D8/307; D8/300; D23/309**

(58) **Field of Search** **D8/300, 307; D23/309; 16/905; 4/246.1-246.5**

(56) **References Cited**

U.S. PATENT DOCUMENTS

- 2,705,330 A * 4/1955 Knudsen 4/246.1
- 3,528,075 A * 9/1970 Leon 4/246.5
- 4,649,576 A * 3/1987 Lillie
- 5,029,347 A * 7/1991 Lin 4/246.2

- 5,448,782 A * 9/1995 Ratajac 4/246.5
- 5,487,192 A * 1/1996 Hodges 4/246.3
- 5,978,974 A * 11/1999 Mullen 4/246.1
- 6,112,336 A * 9/2000 Markle et al. 4/246.3

* cited by examiner

Primary Examiner—B. J. Bullock

(74) *Attorney, Agent, or Firm*—Dougherty & Clements, LLP

(57) **CLAIM**

The ornamental design for a toilet seat lifting device, as shown and described.

DESCRIPTION

FIG. 1 is a perspective view of the invented toilet seat lifting device showing my new design. The portion of the drawings shown in dotted lines are for exemplary purposes only and form no part of the invented design.

FIG. 2 is a front elevational view of the invented toilet seat lifting device of FIG. 1; and,

FIG. 3 is a right side view of the invented toilet seat lifting device of FIG. 1, the left side being a mirror image except for the omission of the vertical structure.

1 Claim, 3 Drawing Sheets

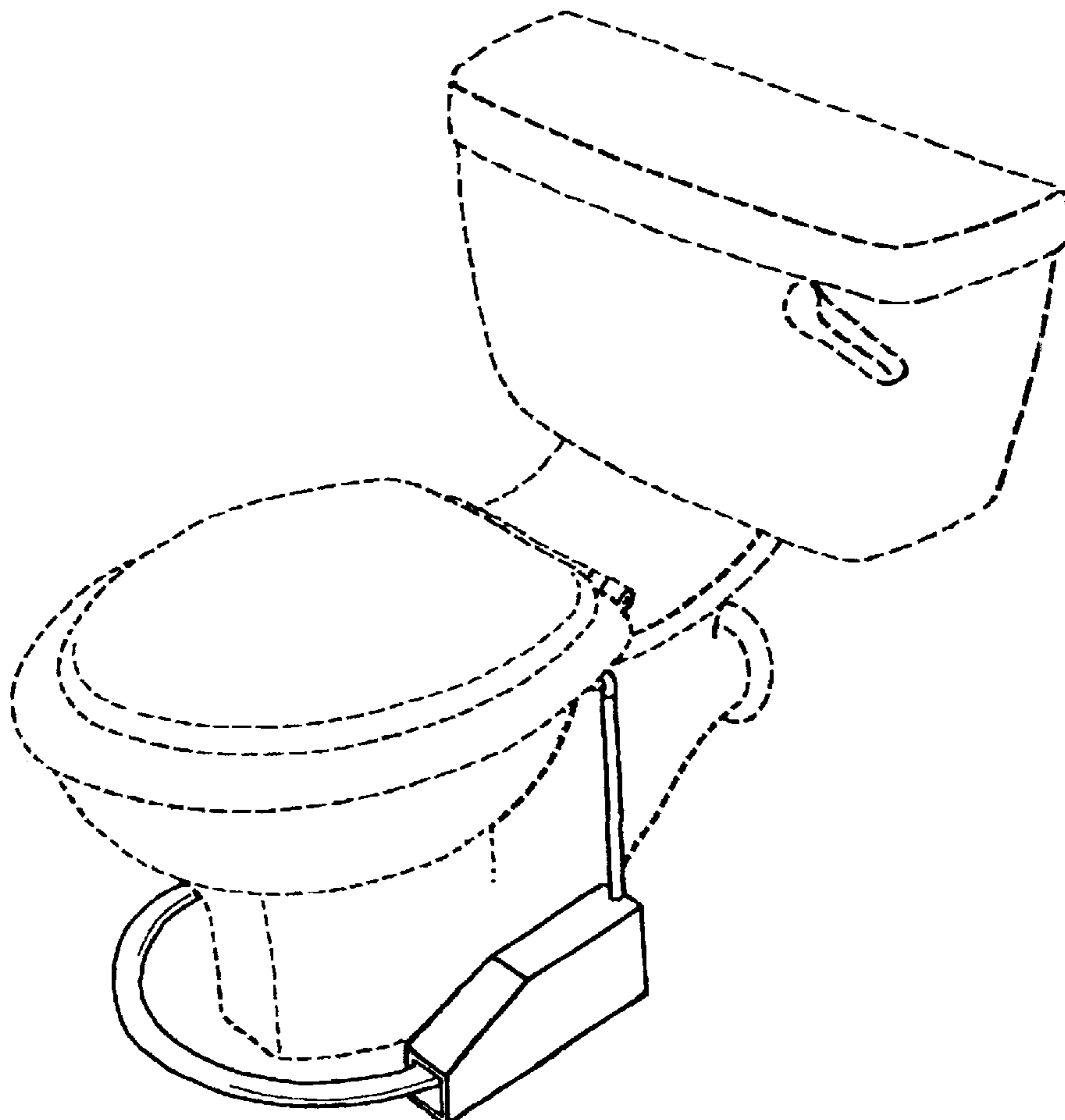


Fig. 1

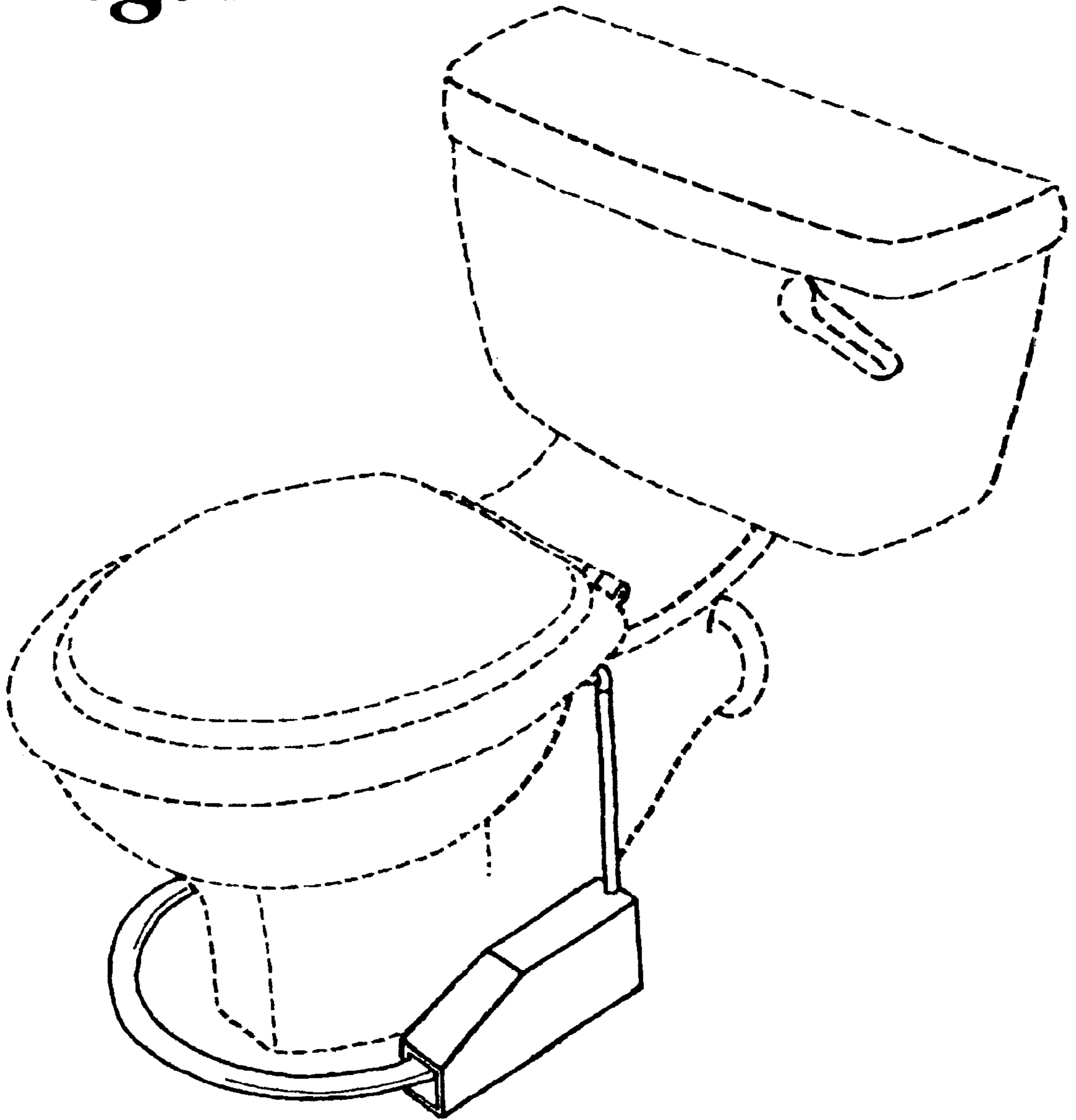


Fig. 2

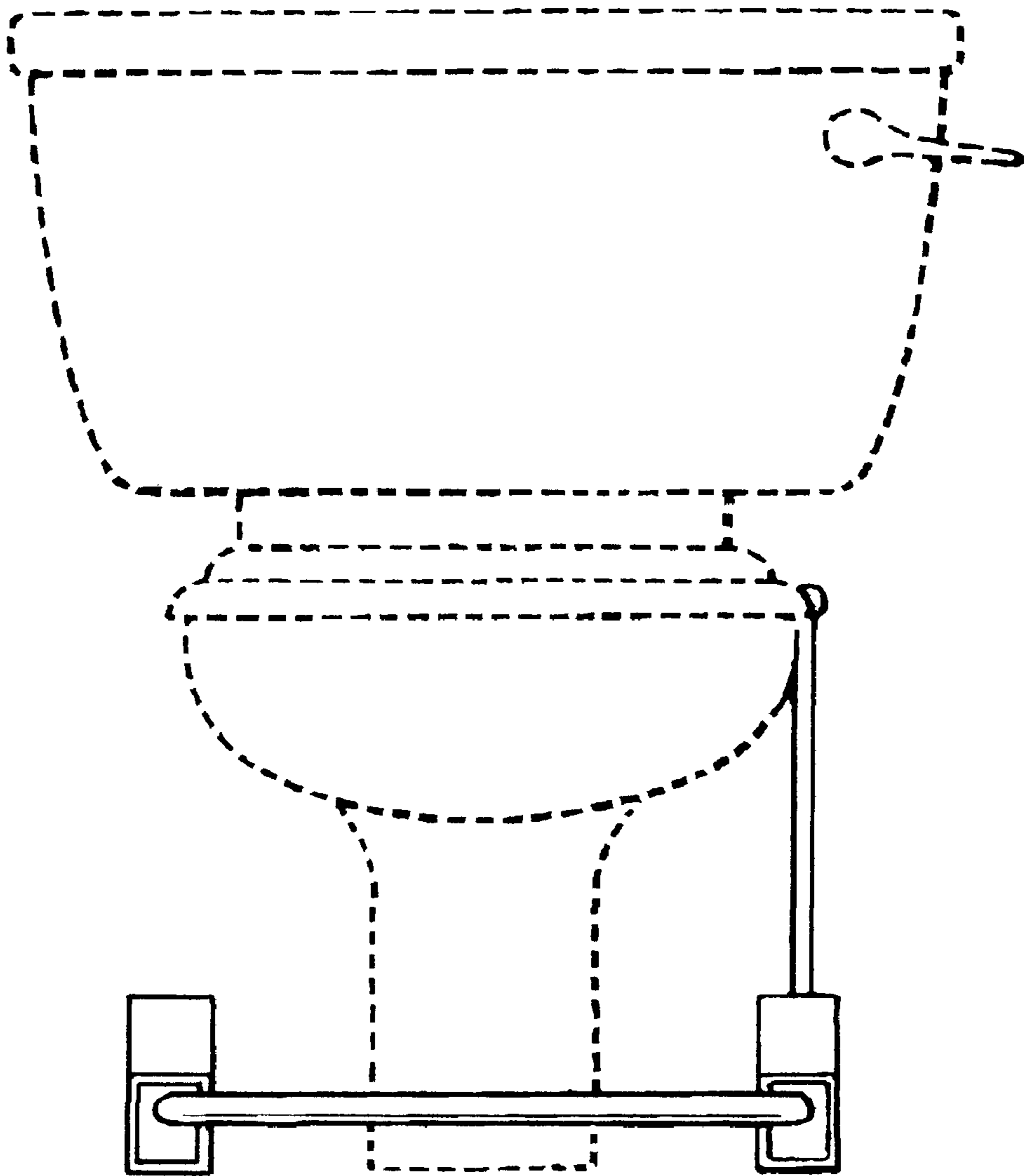


Fig. 3

