



US00D458105S

(12) **United States Design Patent**  
**McDonald et al.**

(10) **Patent No.:** **US D458,105 S**

(45) **Date of Patent:** **\*\* Jun. 4, 2002**

(54) **RAZOR BLADE TOOL**

D423,317 S \* 4/2000 Takeshita ..... D8/51  
D438,084 S \* 2/2001 Khachatoorian ..... D8/98

(75) Inventors: **Dave McDonald**, Merrimack, NH (US);  
**Eric Litscher**, Hopkinton, MA (US);  
**John DePiano**, Burlington, MA (US);  
**Roy Heinz**, Waltham, MA (US); **Will**  
**Wear**, Arlington, MA (US); **Jeffrey**  
**Wonderley**, Fort Defiance, VA (US)

\* cited by examiner

*Primary Examiner*—Philip S. Hyder

(74) *Attorney, Agent, or Firm*—McDermott, Will & Emery

(73) Assignee: **American Safety Razor Company**,  
Verona, VA (US)

(57) **CLAIM**

The ornamental design for a razor blade tool, as shown and described.

(\*\*) Term: **14 Years**

**DESCRIPTION**

(21) Appl. No.: **29/139,263**

FIG. 1 is a perspective view of the razor blade tool design of the invention.

(22) Filed: **Mar. 28, 2001**

FIG. 2 is a top side view of the razor blade tool design shown in FIG. 1.

(51) **LOC (7) Cl.** ..... **08-03**

FIG. 3 is a bottom side view of the razor blade tool design shown in FIG. 1.

(52) **U.S. Cl.** ..... **D8/99; D8/98**

FIG. 4 is a right side view of the razor blade tool design shown in FIG. 1.

(58) **Field of Search** ..... D8/98, 99, 51;  
30/161, 162, 320, 329, 335, 337, 294

FIG. 5 is a left side view of the razor blade tool design shown in FIG. 1.

(56) **References Cited**

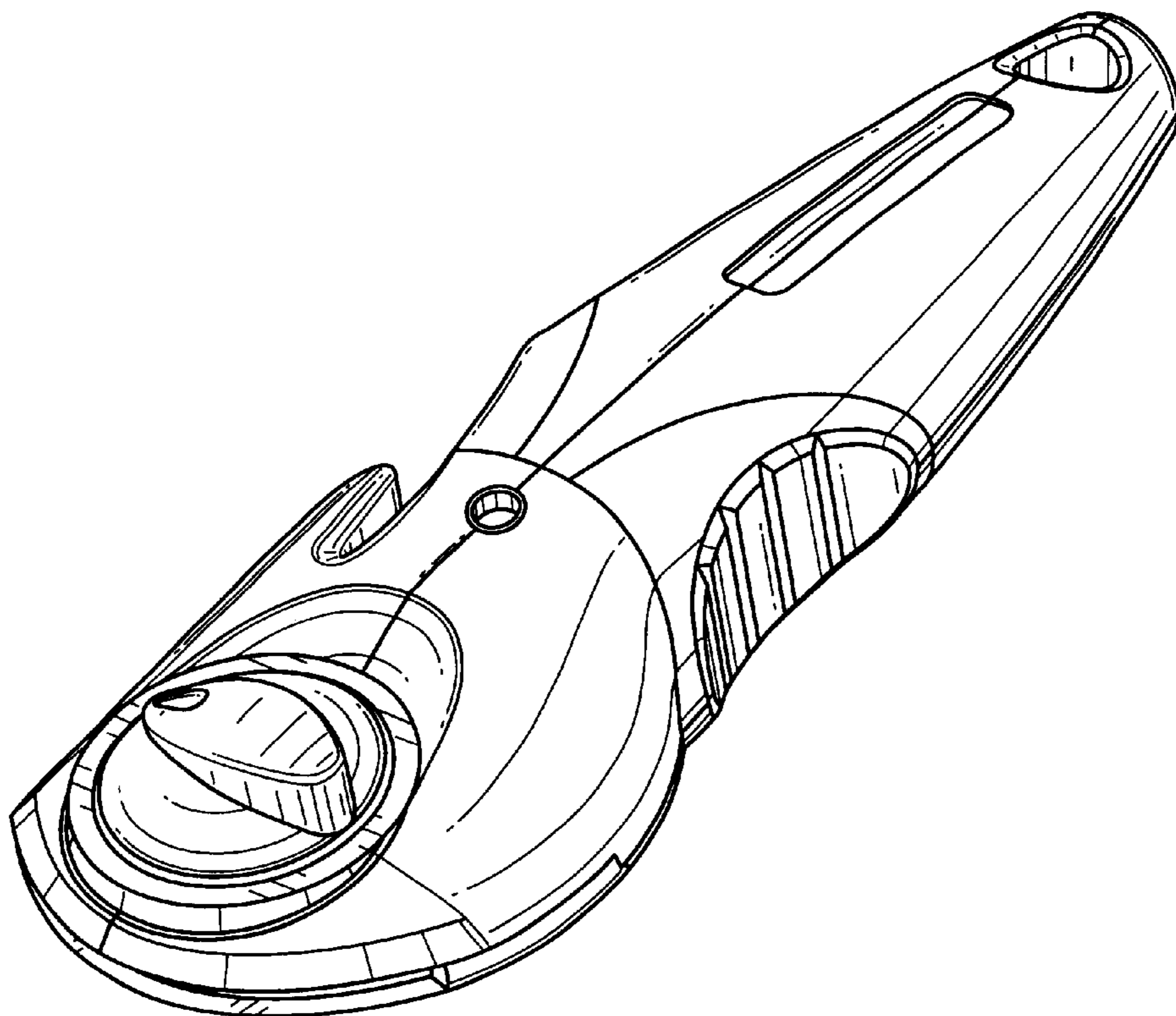
FIG. 6 is a front side view of the razor blade tool design shown in FIG. 1; and,

**U.S. PATENT DOCUMENTS**

FIG. 7 is a rear side view of the razor blade tool design shown in FIG. 1.

D388,305 S \* 12/1997 Schulz et al. .... D8/51  
5,979,057 A \* 11/1999 Chao ..... 30/125  
D420,270 S \* 2/2000 Martone ..... D8/99

**1 Claim, 6 Drawing Sheets**



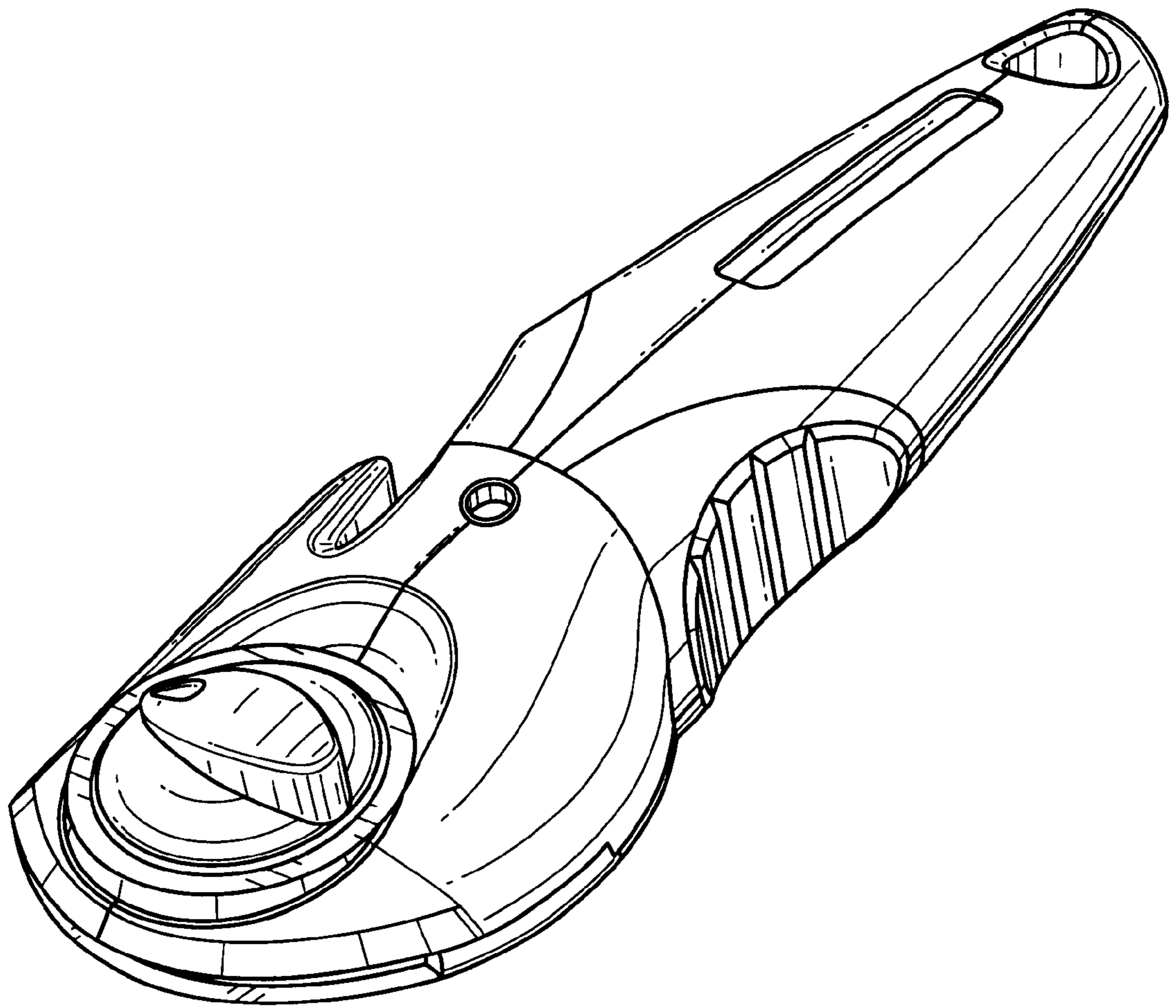


FIG. 1

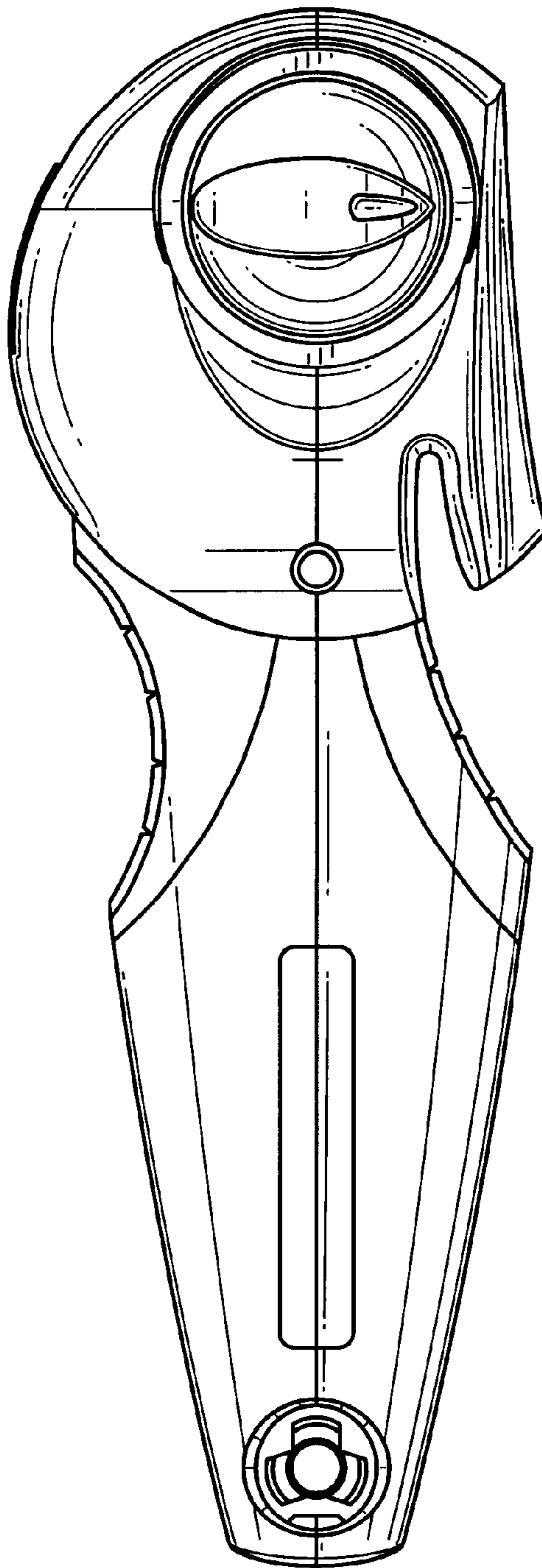


FIG. 2

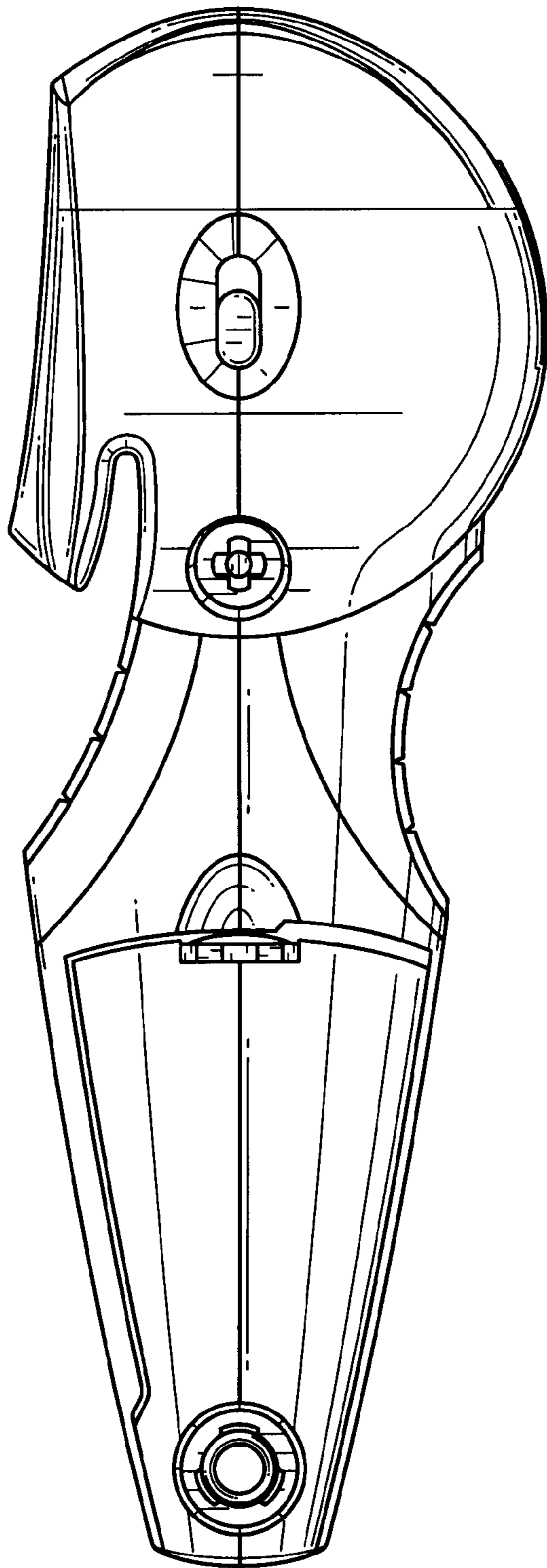


FIG. 3

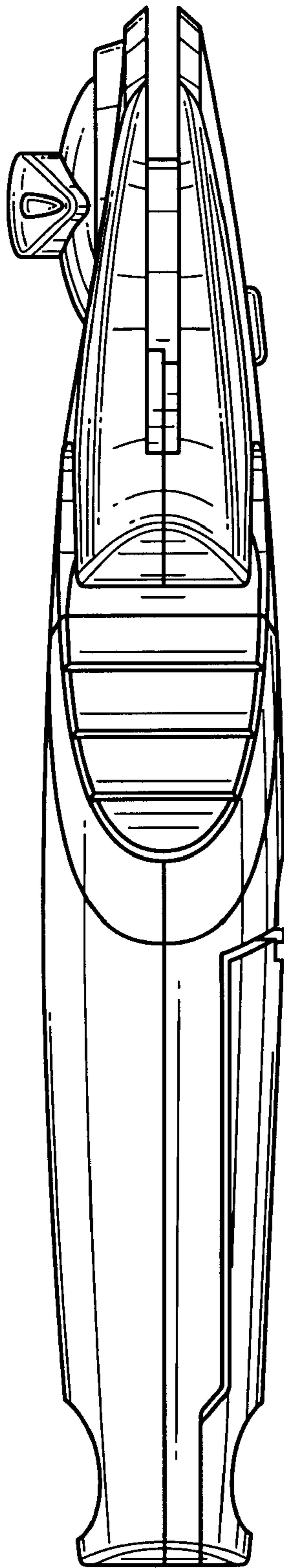


FIG. 4

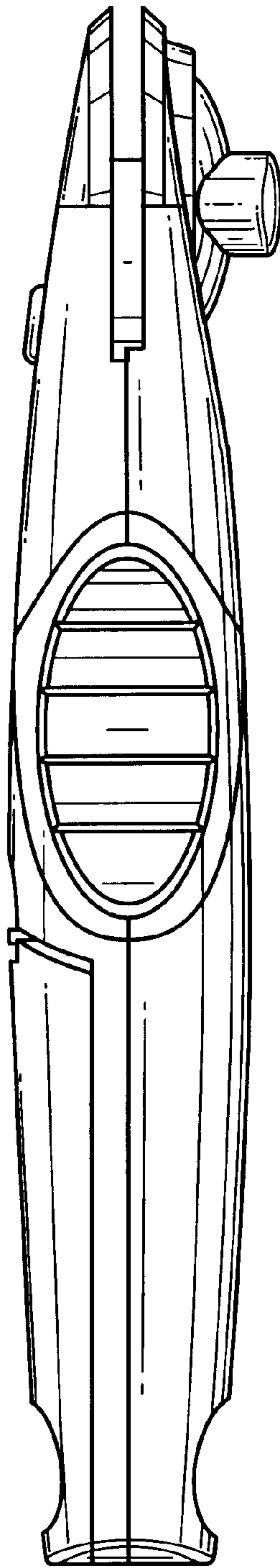


FIG. 5

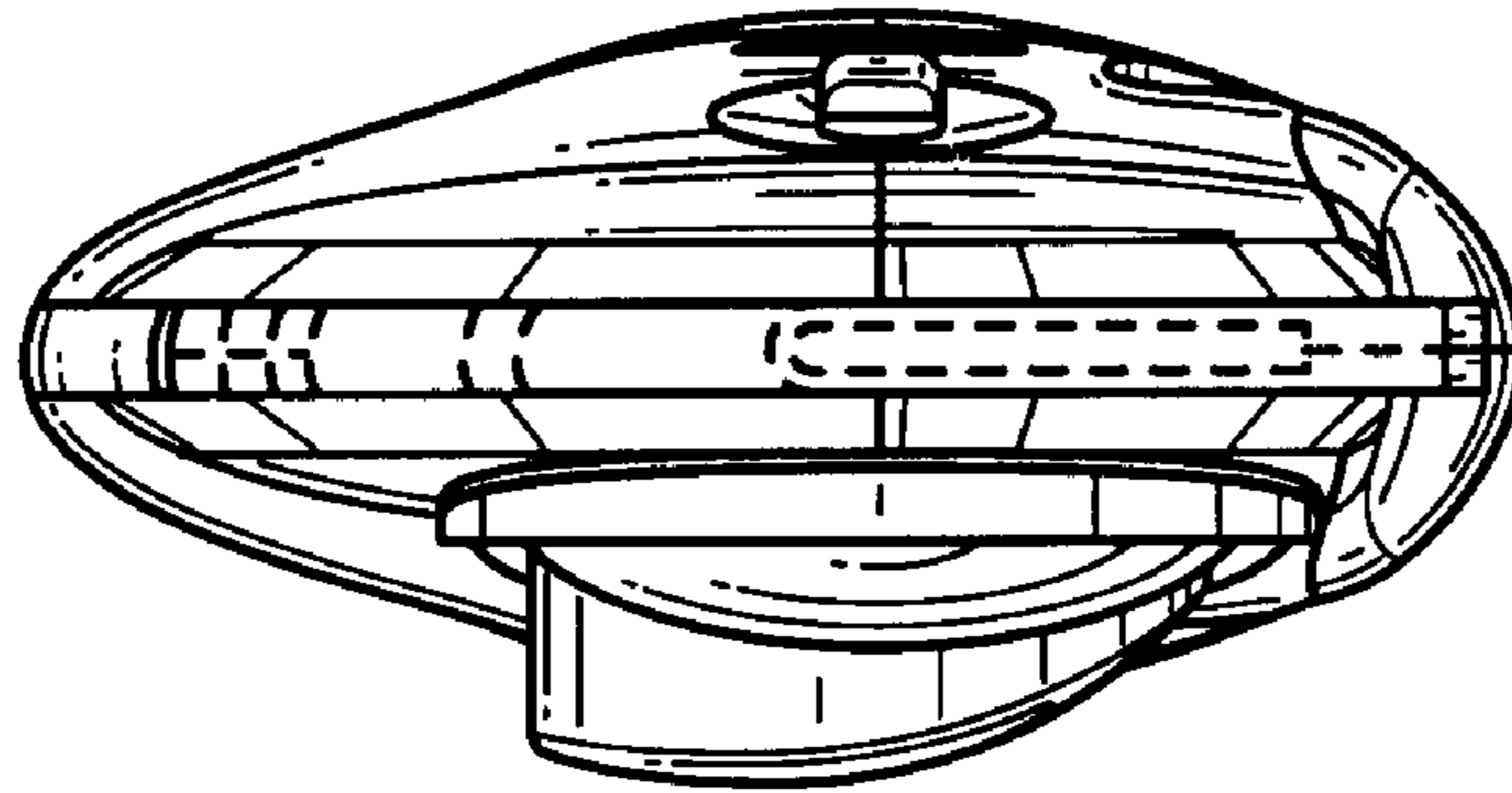


FIG. 6

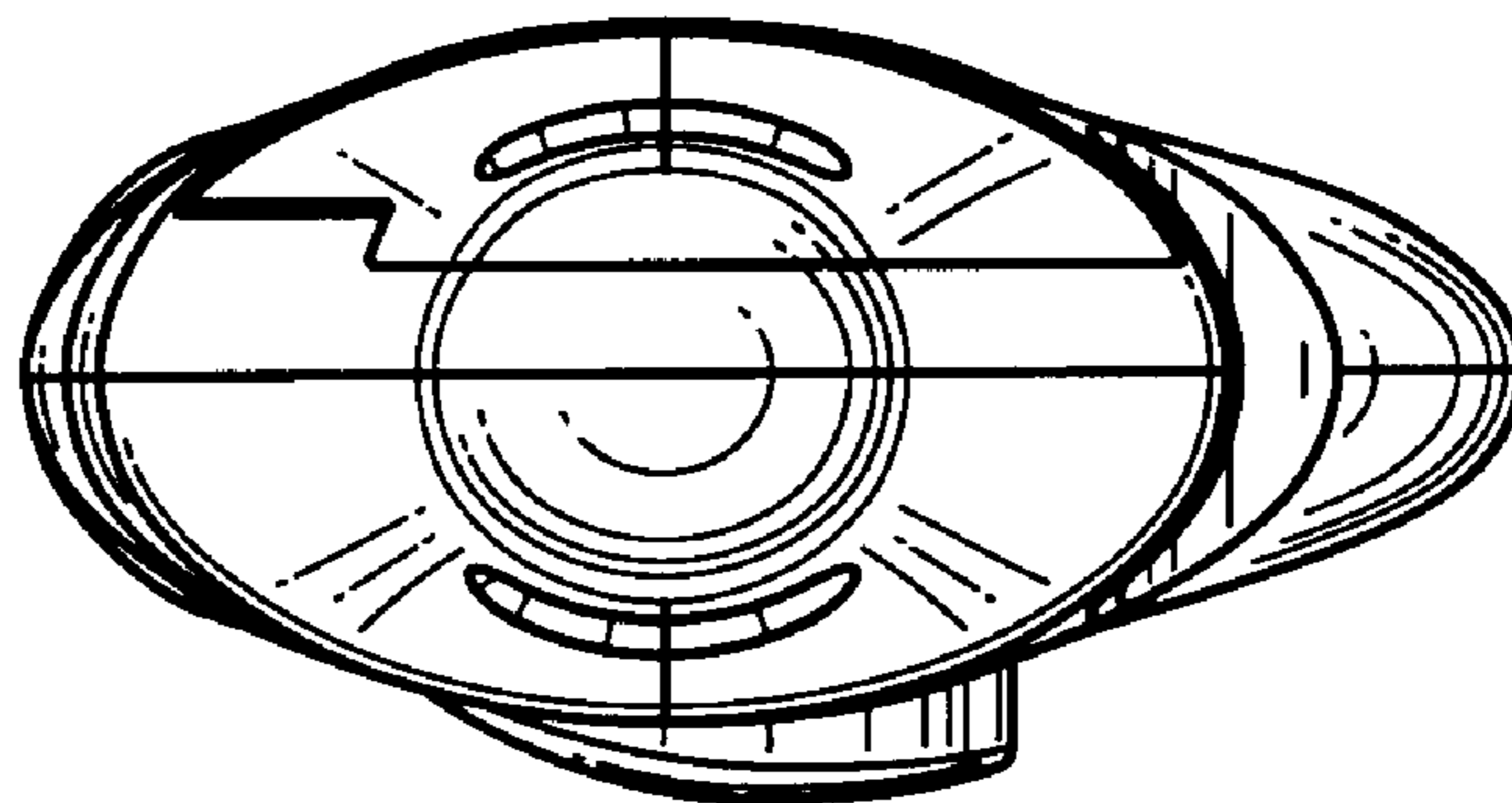


FIG. 7