



US00D458104S

(12) **United States Design Patent**
Halstead et al.

(10) **Patent No.:** **US D458,104 S**

(45) **Date of Patent:** **** Jun. 4, 2002**

(54) **TOOL FOR LIFTING BOARDS OR FOR DISMANTLING PALLETS**

(76) Inventors: **Derek Halstead; Patricia Halstead; Paul Halstead**, all of Craven House, Hopwood Lane, Halifax, HX1 5EH (GB)

(**) Term: **14 Years**

(21) Appl. No.: **29/143,108**

(22) Filed: **Jun. 7, 2001**

(30) **Foreign Application Priority Data**

Dec. 7, 2000 (GB) 2097987

(51) **LOC (7) Cl.** **08-05**

(52) **U.S. Cl.** **D8/88; D8/89**

(58) **Field of Search** D8/14, 88, 89; 254/25, 131, 17; 7/166; 81/45

(56) **References Cited**

U.S. PATENT DOCUMENTS

- D211,755 S * 7/1968 Yeager D8/89
- D236,872 S * 9/1975 Froehlich D8/89
- 4,183,503 A * 1/1980 Ward 254/131

- D270,895 S * 10/1983 Holloway D8/89
- D278,791 S * 5/1985 Stultz et al. D8/88
- 5,165,659 A * 11/1992 L'Heureux 254/131
- 5,176,363 A * 1/1993 Bowlin 254/131
- D378,187 S * 2/1997 Eddie D8/105
- D436,823 S * 1/2001 Wrensch D8/14

* cited by examiner

Primary Examiner—Philip S. Hyder

(74) *Attorney, Agent, or Firm*—Harrison & Egbert

(57) **CLAIM**

We claim the ornamental design for a tool for lifting boards or for dismantling pallets, as shown and described.

DESCRIPTION

FIG. 1 is a front perspective view of the tool for lifting boards or for dismantling pallets showing my design.

FIG. 2 is a front elevational view thereof;

FIG. 3 is a rear elevational view thereof;

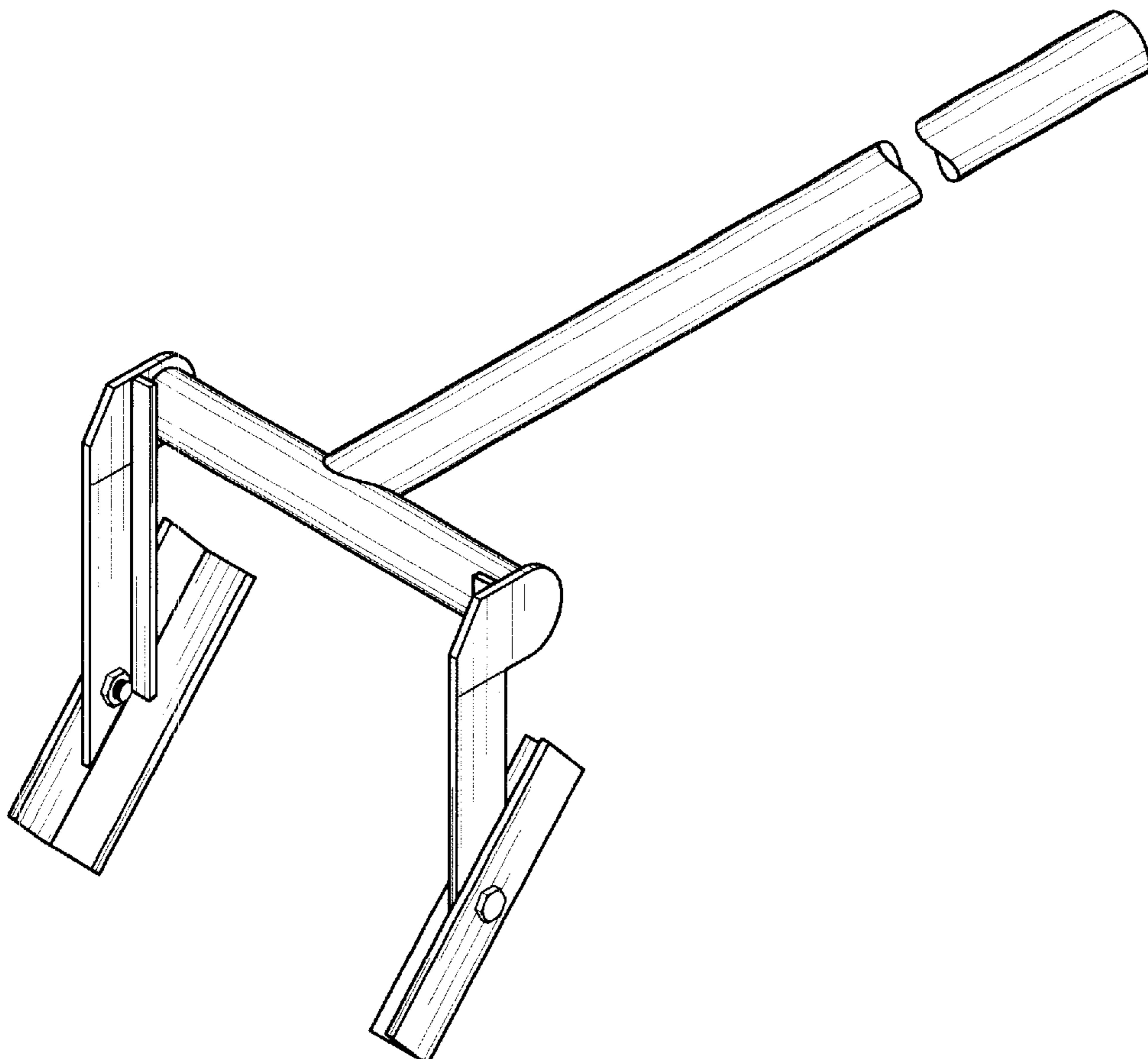
FIG. 4 is a bottom plan view thereof;

FIG. 5 is a top plan view thereof; and,

FIG. 6 is a right side elevational view thereof.

The shaft is shown fragmentarily to indicate indeterminate length.

1 Claim, 3 Drawing Sheets



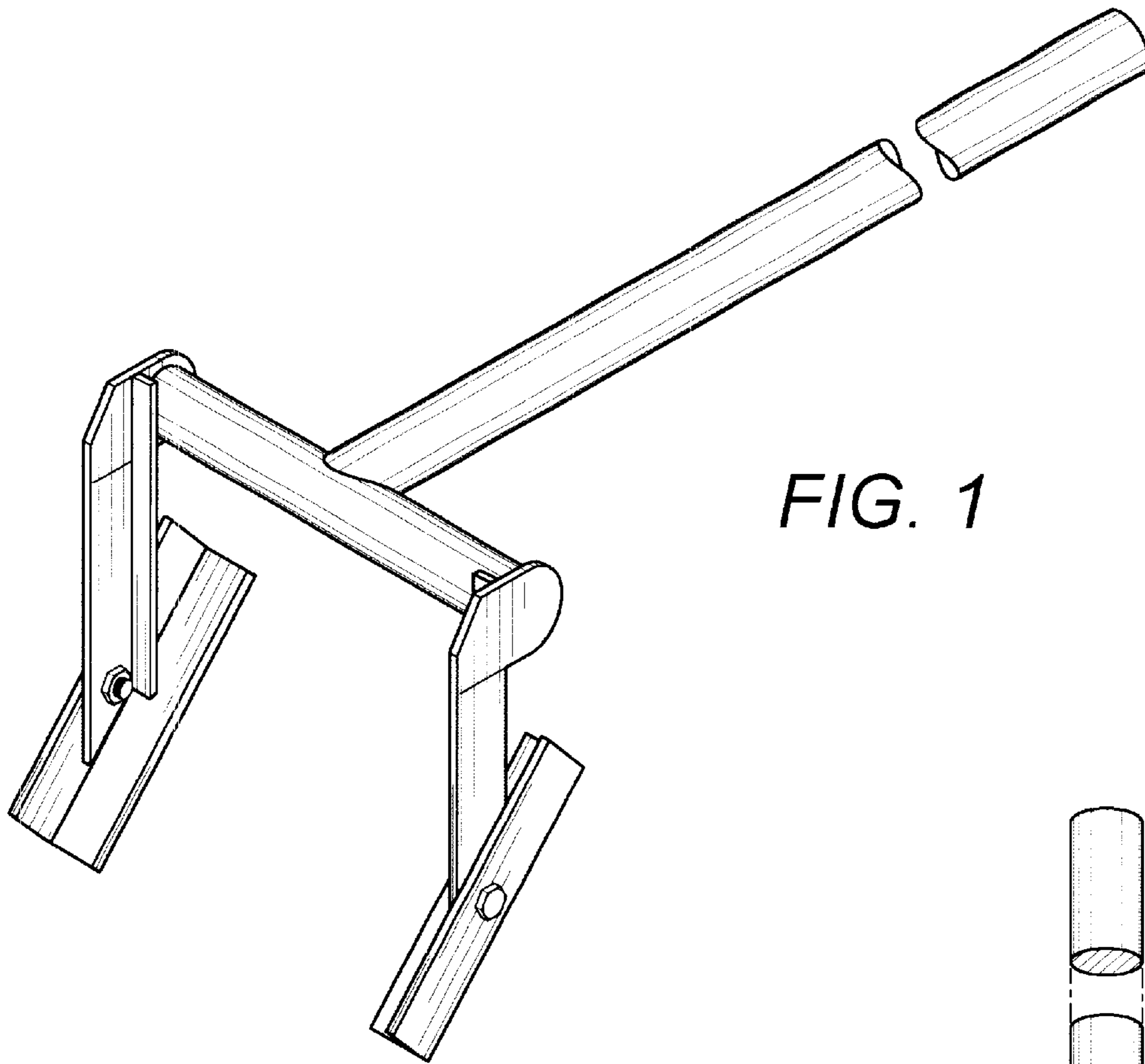


FIG. 1

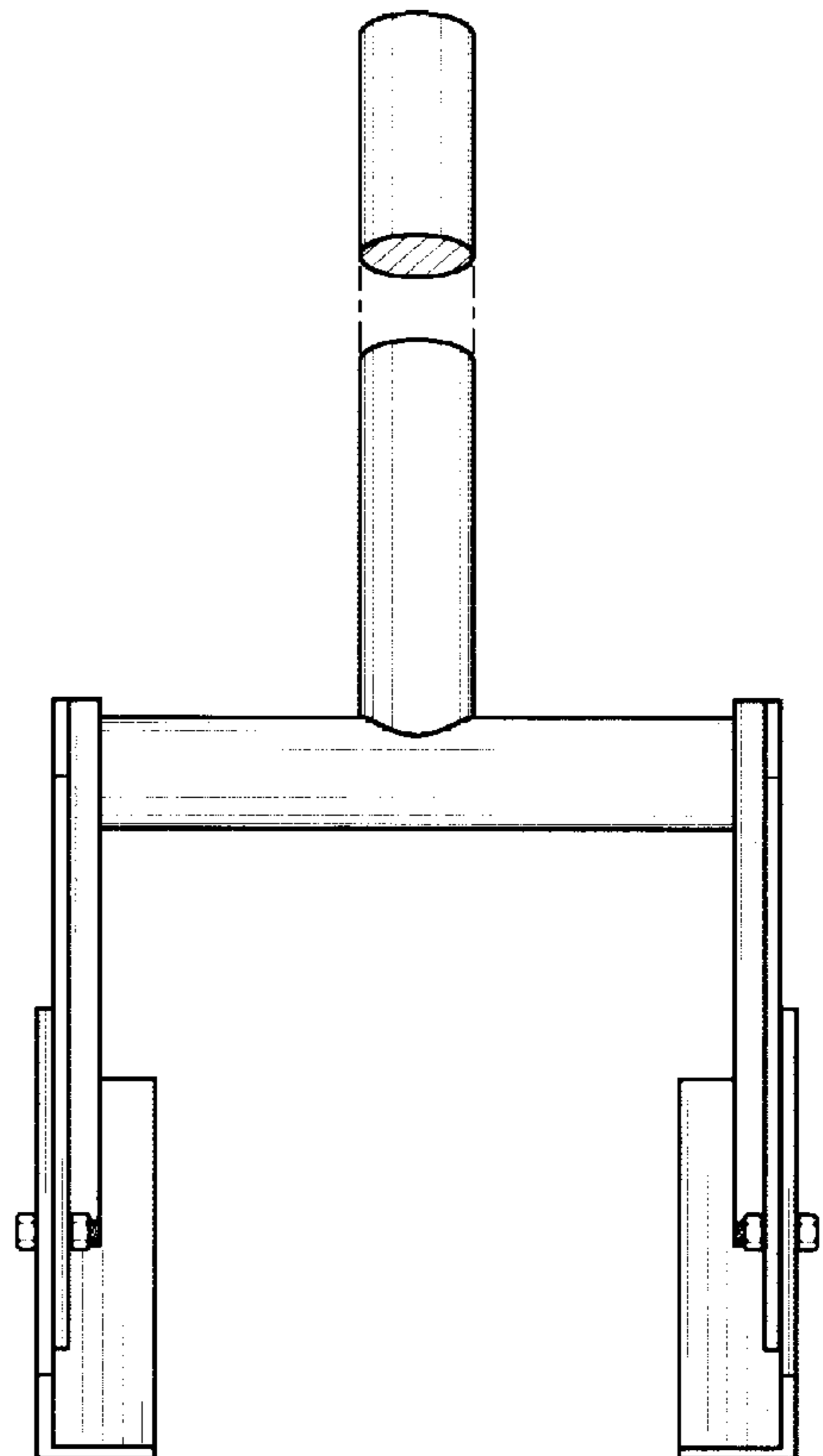


FIG. 2

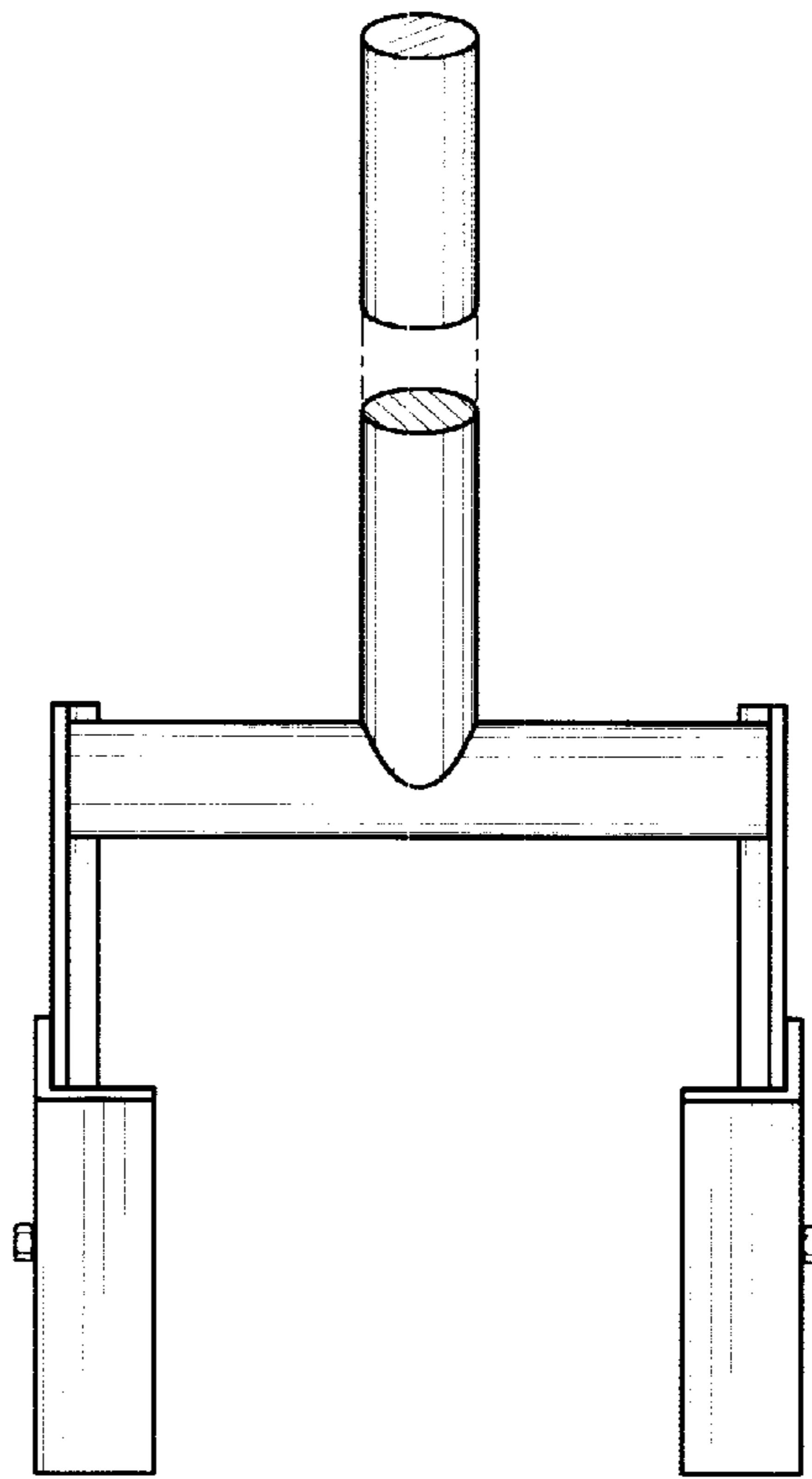


FIG. 3

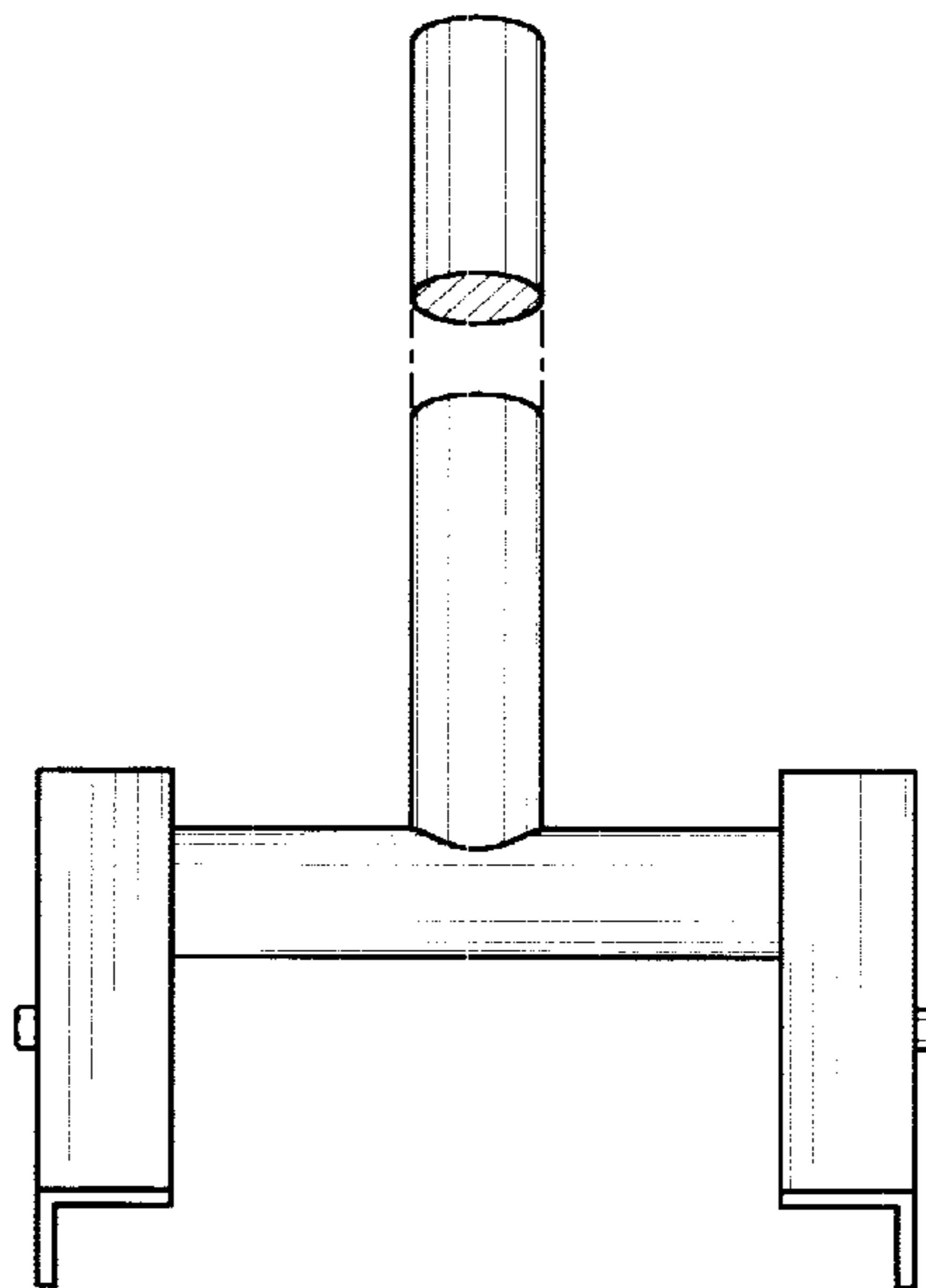


FIG. 4

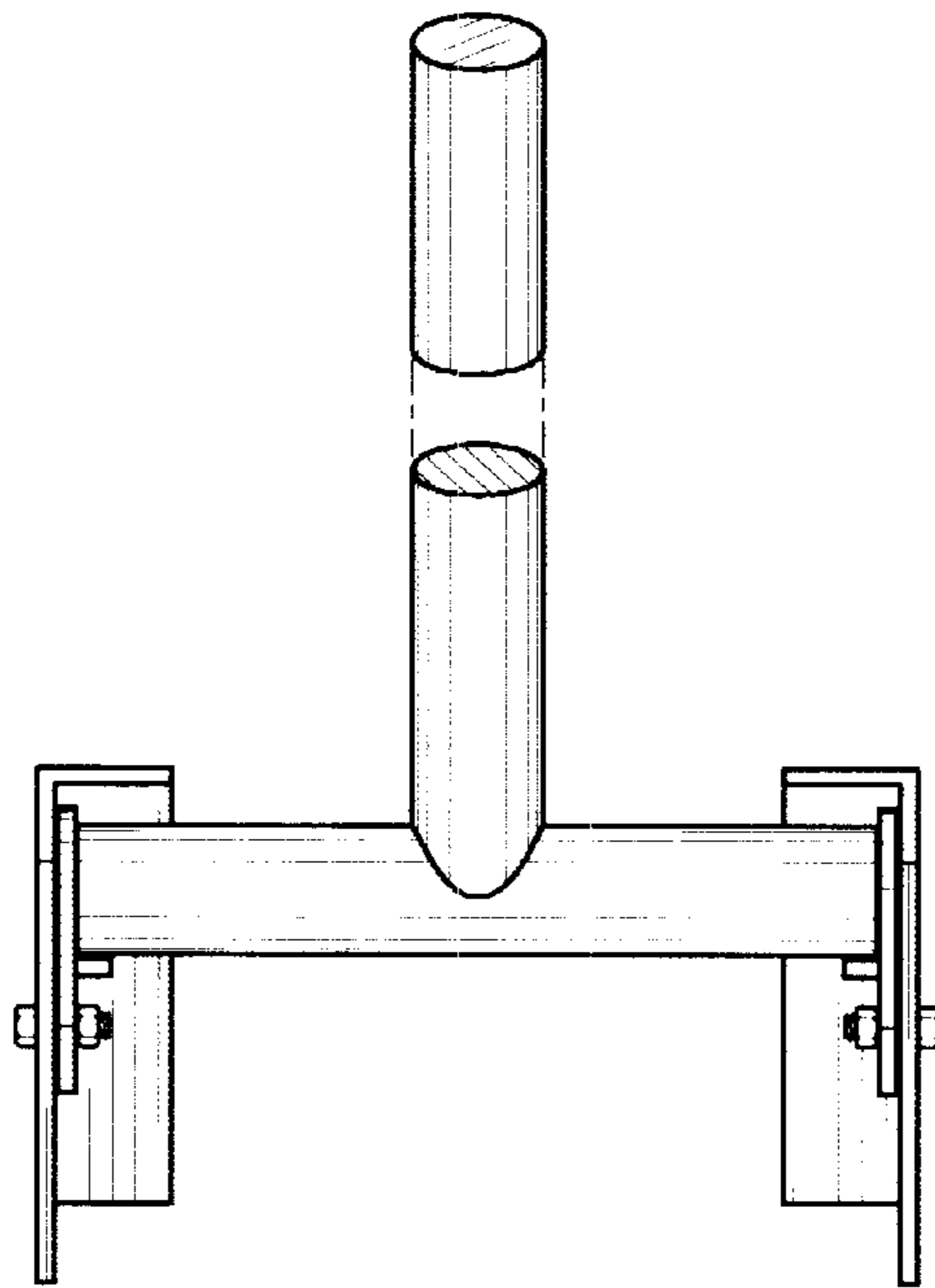


FIG. 5

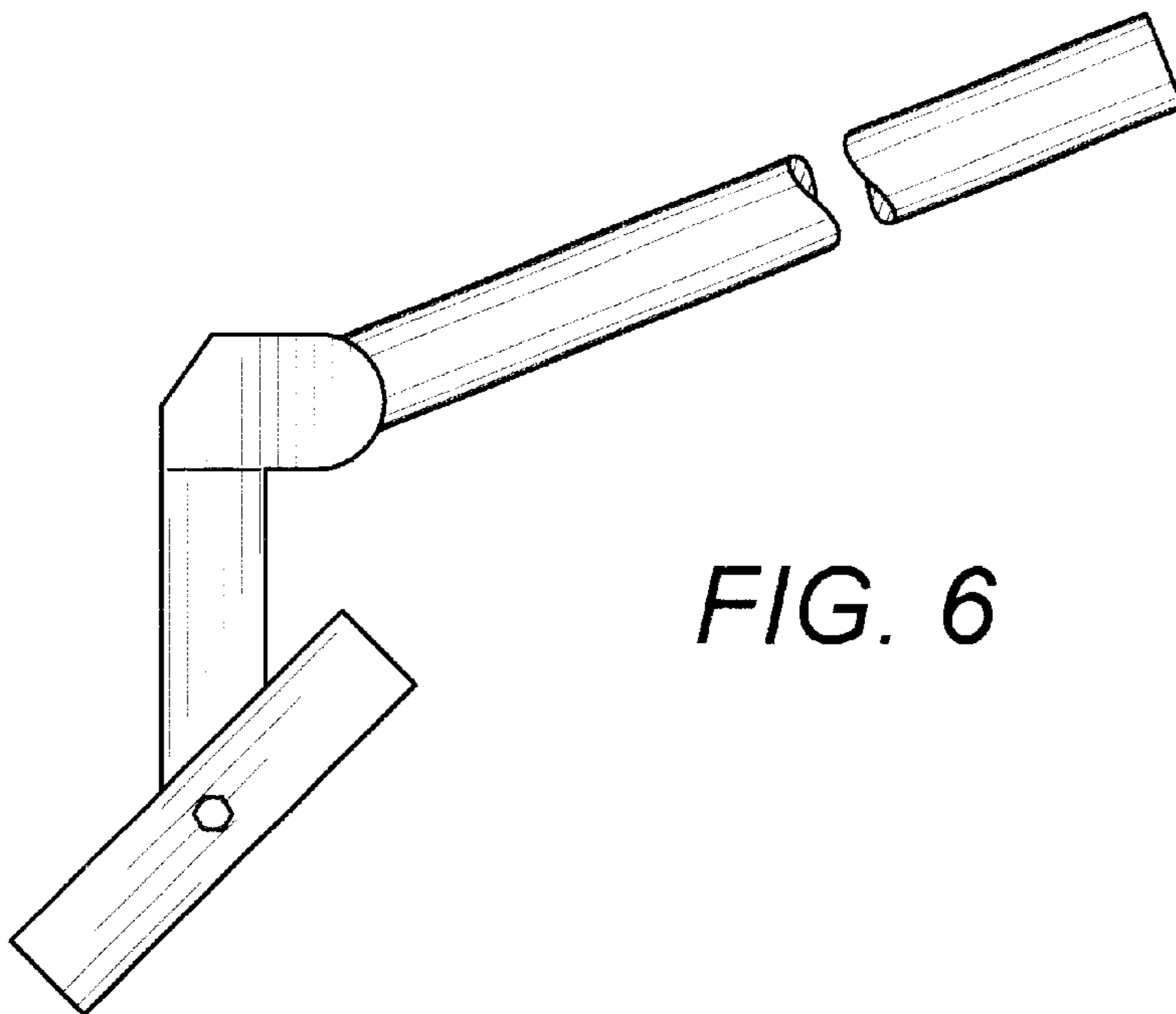


FIG. 6