



US00D458102S

(12) **United States Design Patent**
Tseng

(10) **Patent No.:** **US D458,102 S**

(45) **Date of Patent:** **** Jun. 4, 2002**

(54) **SANDER**

(76) Inventor: **Ming-Qun Tseng**, No. 38-11, 10th
Neighborhood, Jungieng Li, Yuanli Jen,
Miaoli (TW)

(**) Term: **14 Years**

(21) Appl. No.: **29/135,273**

(22) Filed: **Jan. 10, 2001**

(51) **LOC (7) Cl.** **08-01**

(52) **U.S. Cl.** **D8/62**

(58) **Field of Search** D8/61, 62, 63,
D8/64, 66, 67, 68, 69; 310/50; 408/124;
451/344, 356, 357, 358, 359

(56) **References Cited**

U.S. PATENT DOCUMENTS

D347,561 S	*	6/1994	Huber et al.	D8/62
D350,266 S	*	9/1994	Huber et al.	D8/62
D350,886 S	*	9/1994	Huber et al.	D8/62
D351,976 S	*	11/1994	Morey et al.	D8/62
D353,312 S	*	12/1994	Izumisawa	D8/62

D353,984 S	*	1/1995	Izumisawa	D8/62
D378,728 S	*	4/1997	Seith et al.	D8/62
D436,817 S	*	1/2001	Leu	D8/61
D438,078 S	*	2/2001	Leu	D8/61
D438,771 S	*	3/2001	Hutchins	D8/61

* cited by examiner

Primary Examiner—Doris V. Coles

Assistant Examiner—Elizabeth A. Albert

(74) *Attorney, Agent, or Firm*—Rosenberg, Klein & Lee

(57) **CLAIM**

The ornamental design for sander, as shown and described.

DESCRIPTION

FIG. 1 is a perspective view of sander showing my new design;

FIG. 2 is a front elevational view thereof;

FIG. 3 is a rear elevational view thereof;

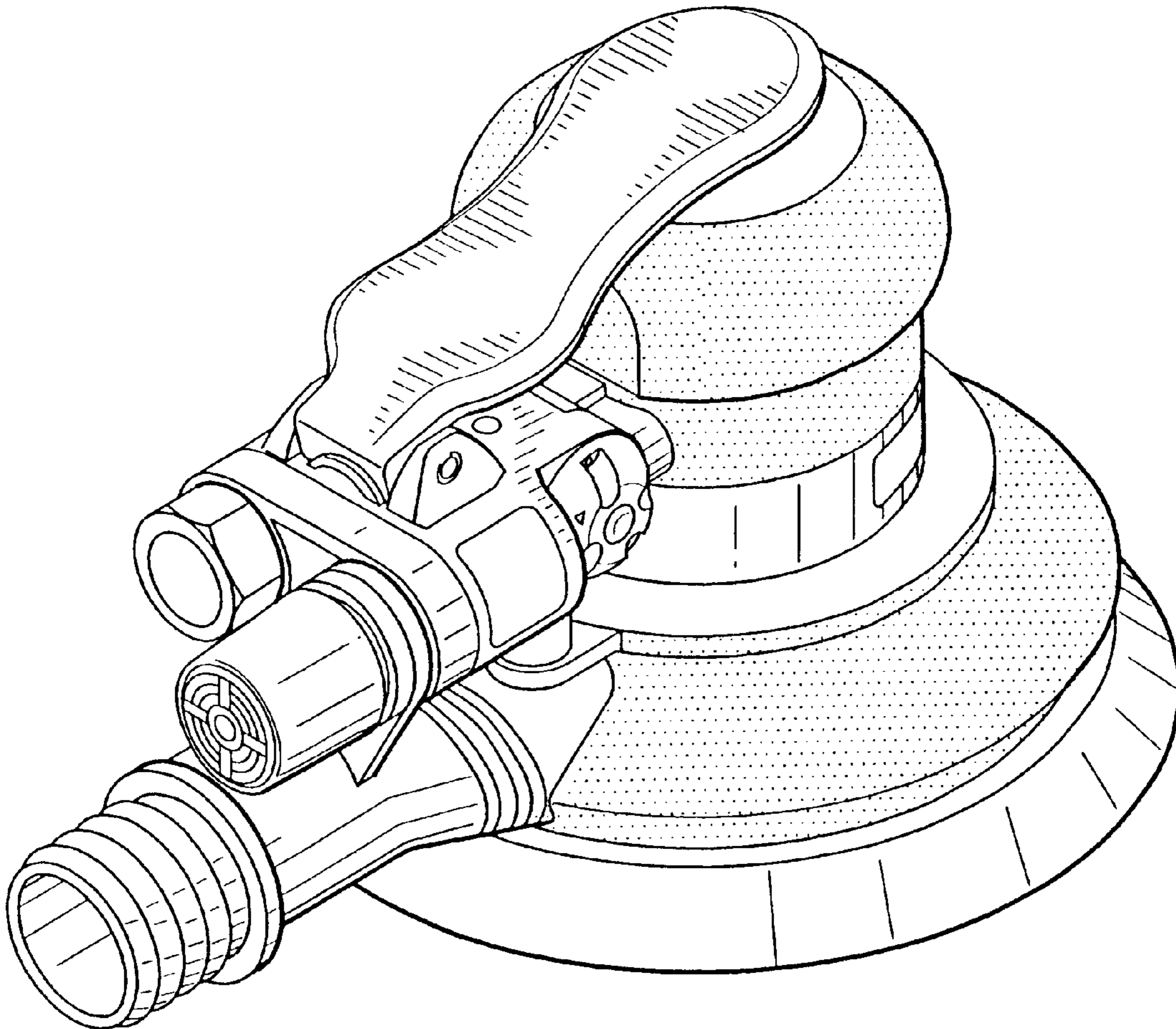
FIG. 4 is a left side elevational view thereof;

FIG. 5 is a right side elevational view thereof;

FIG. 6 is a top side elevational view thereof; and,

FIG. 7 is a bottom side elevational view thereof.

1 Claim, 6 Drawing Sheets



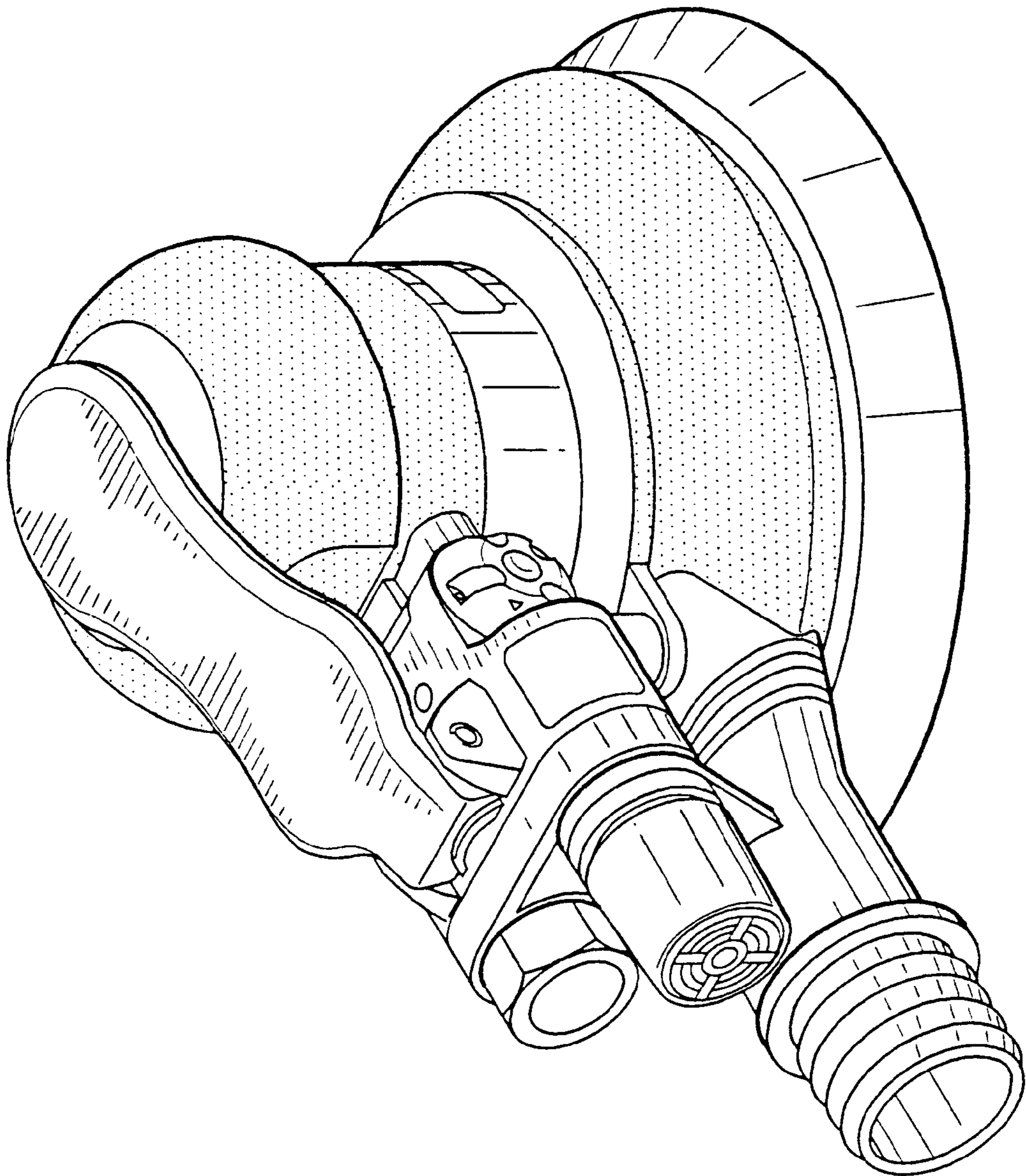


FIG. 1

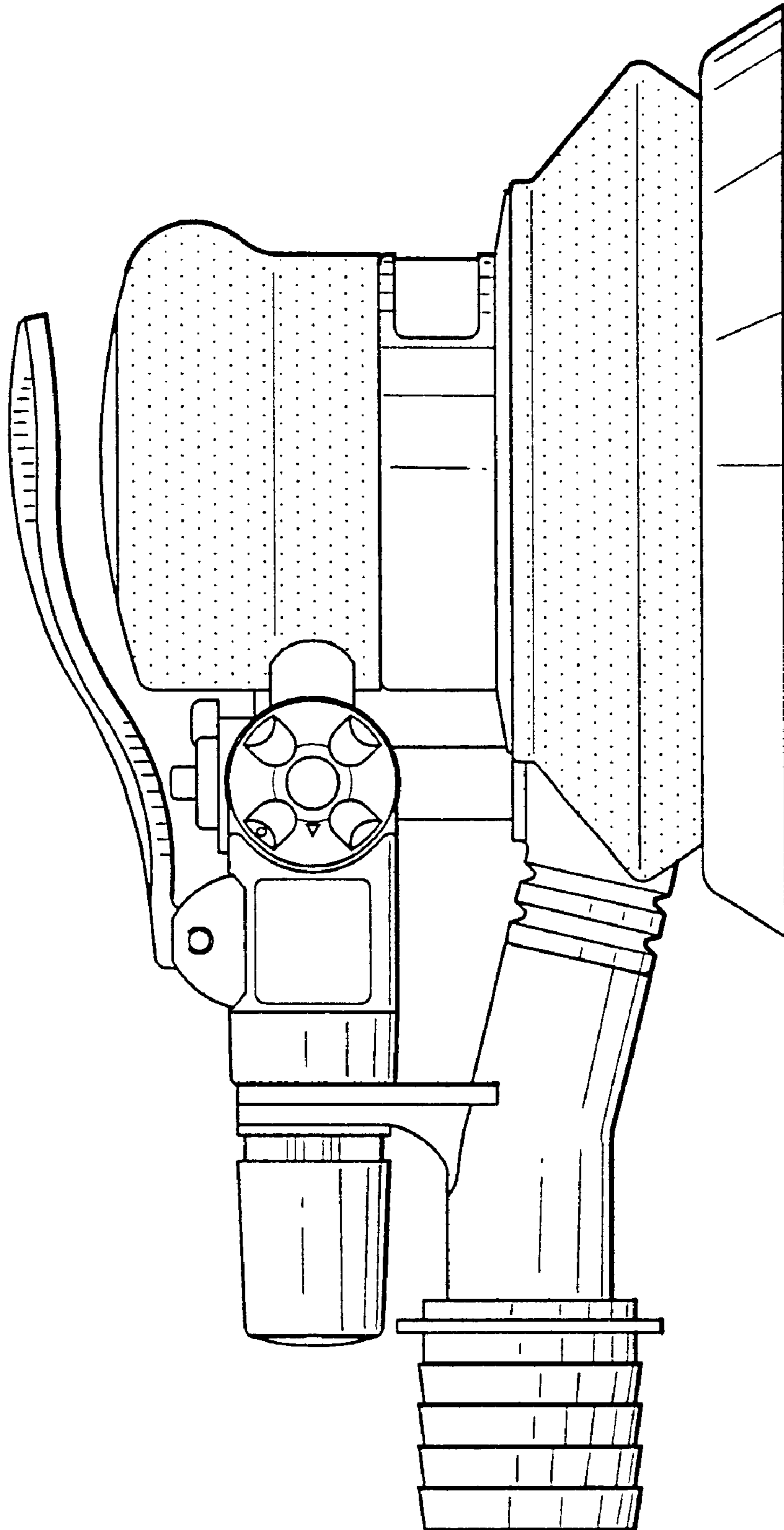


FIG. 2

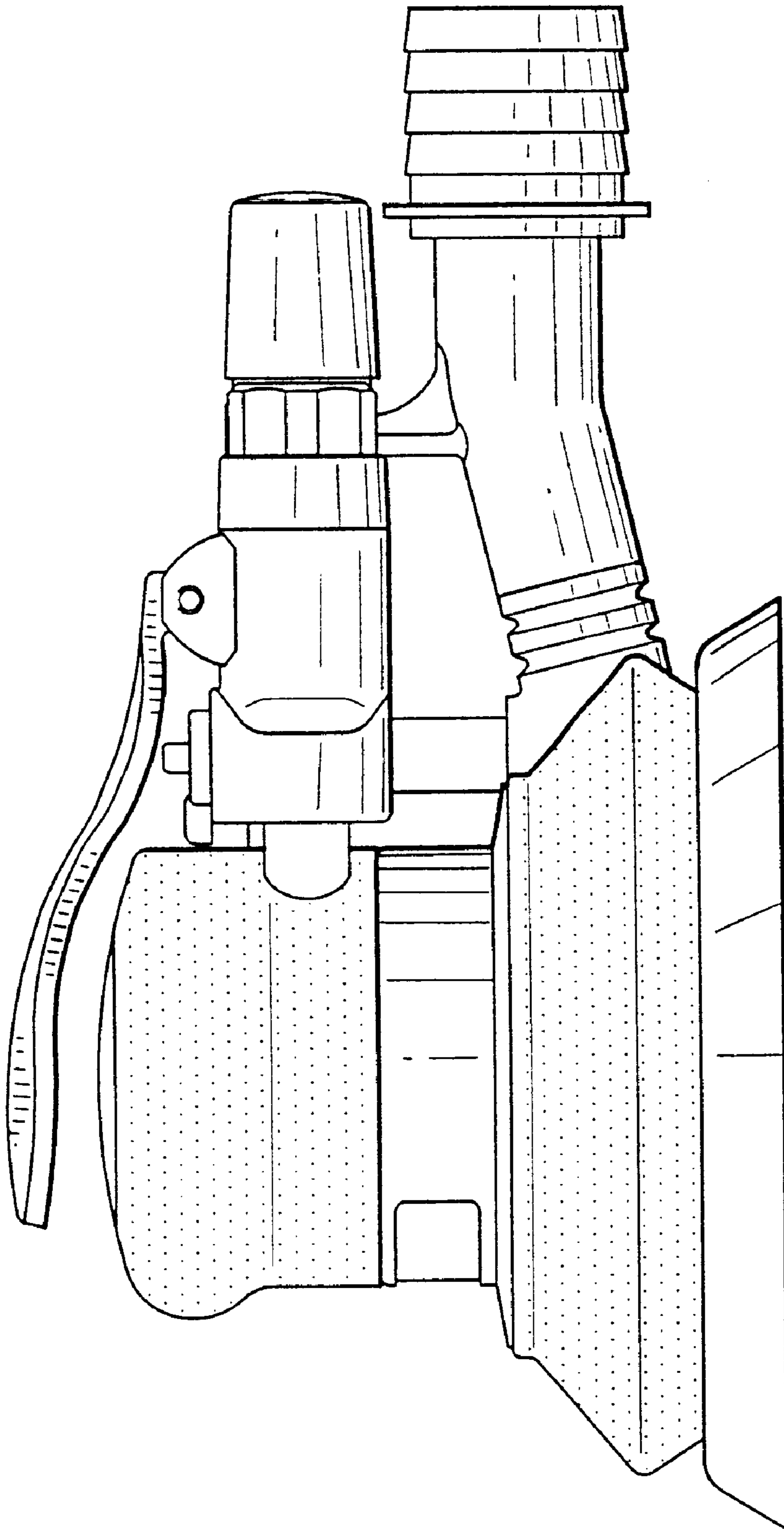


FIG. 3

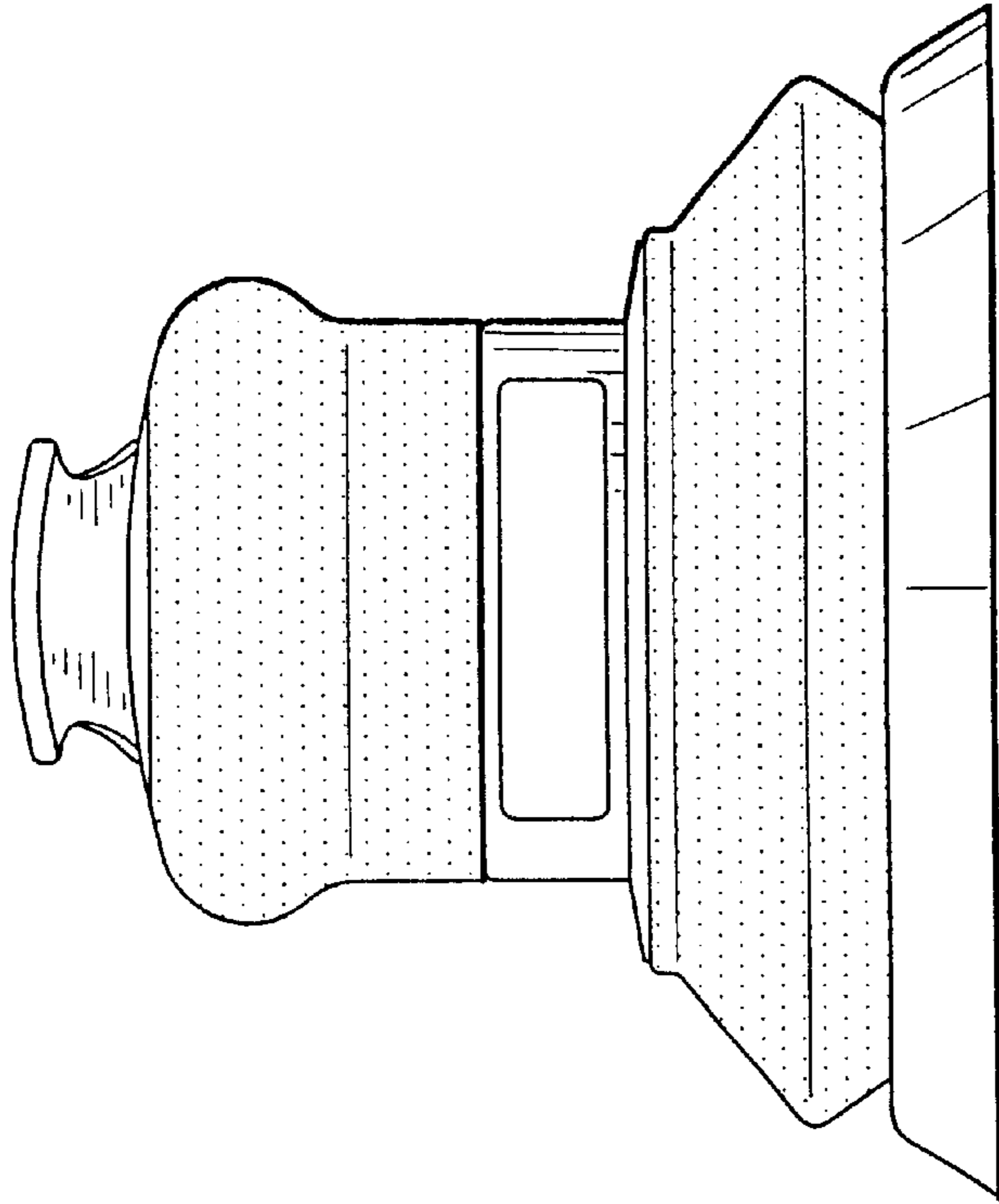


FIG. 5

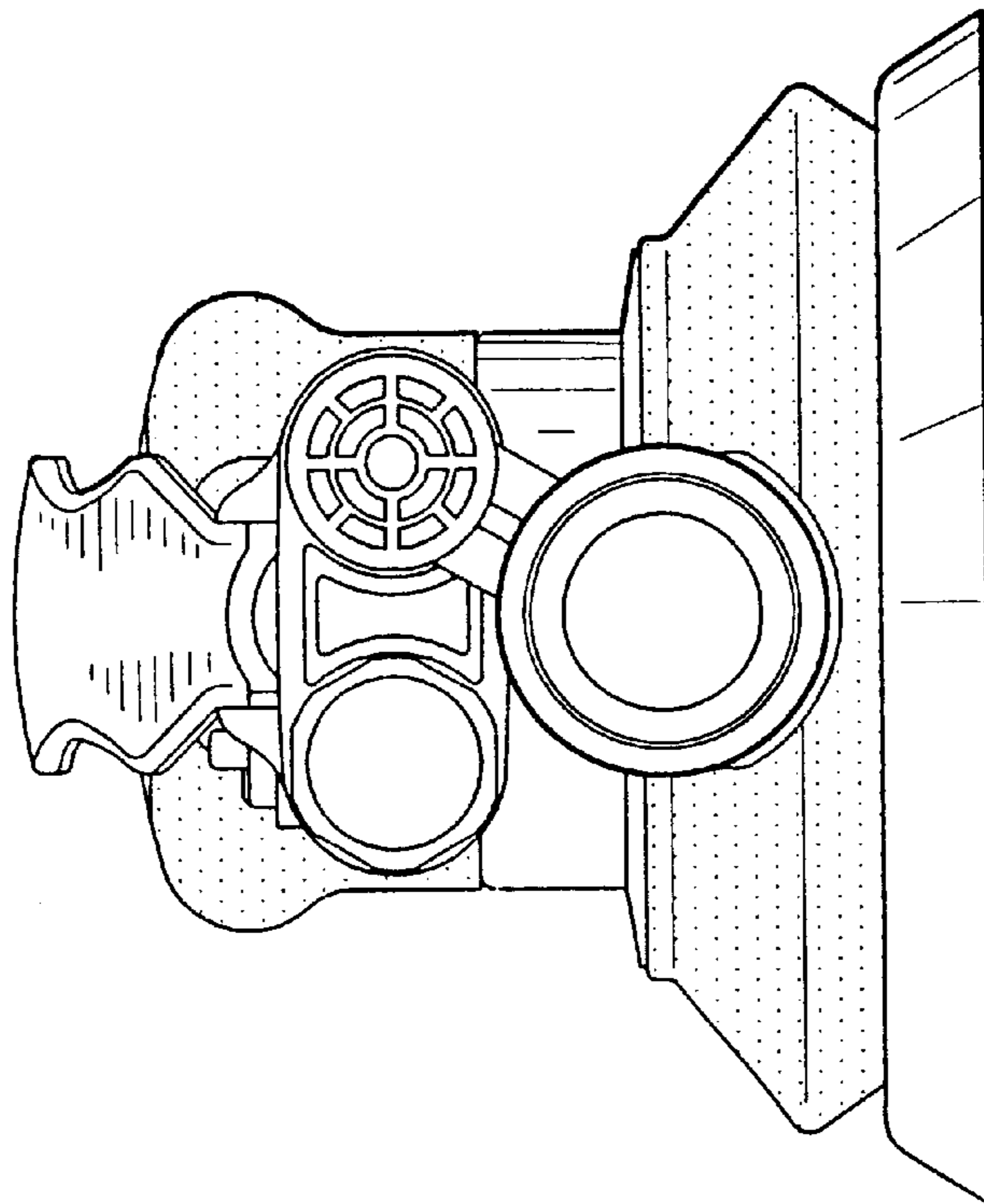


FIG. 4

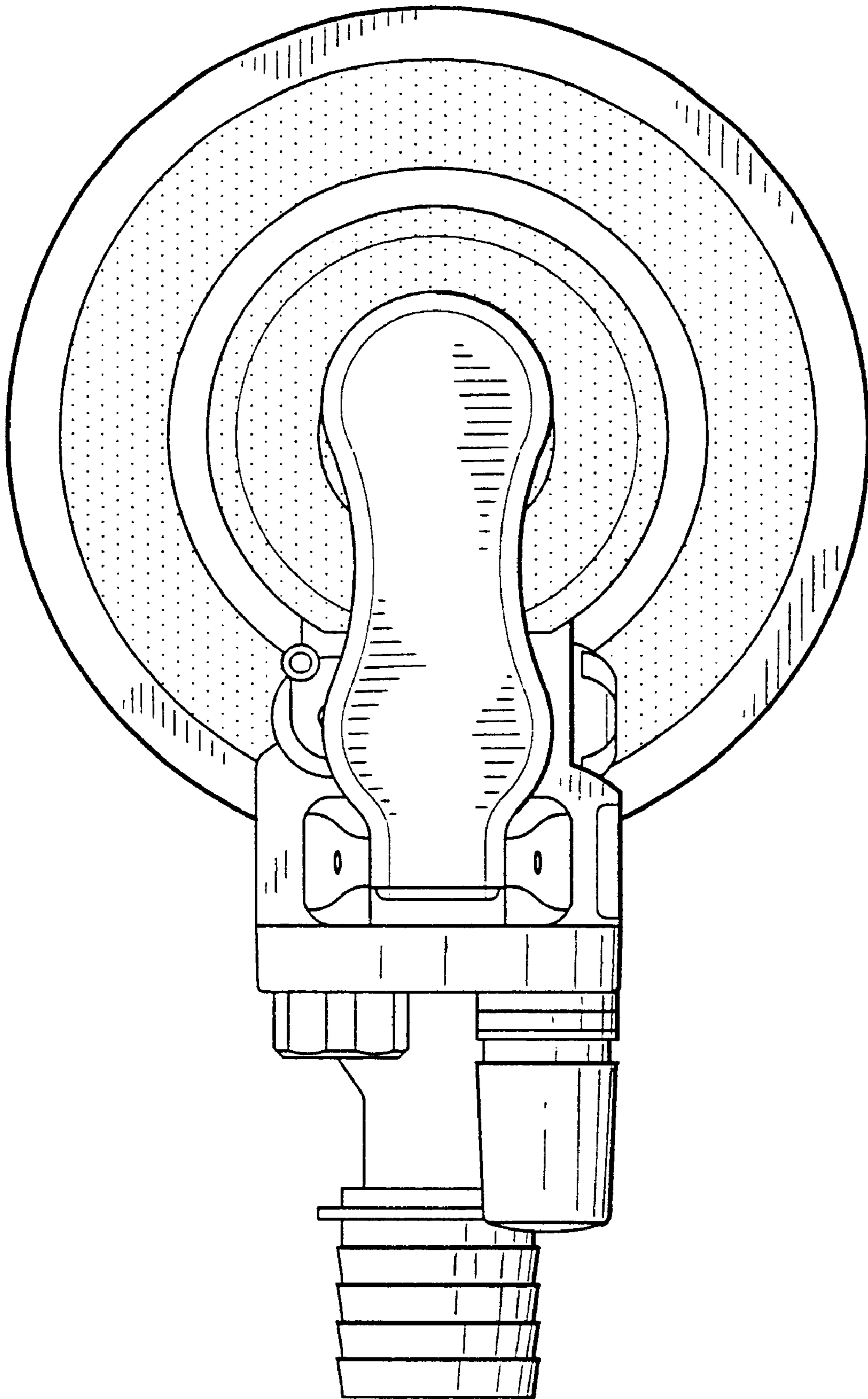


FIG. 6

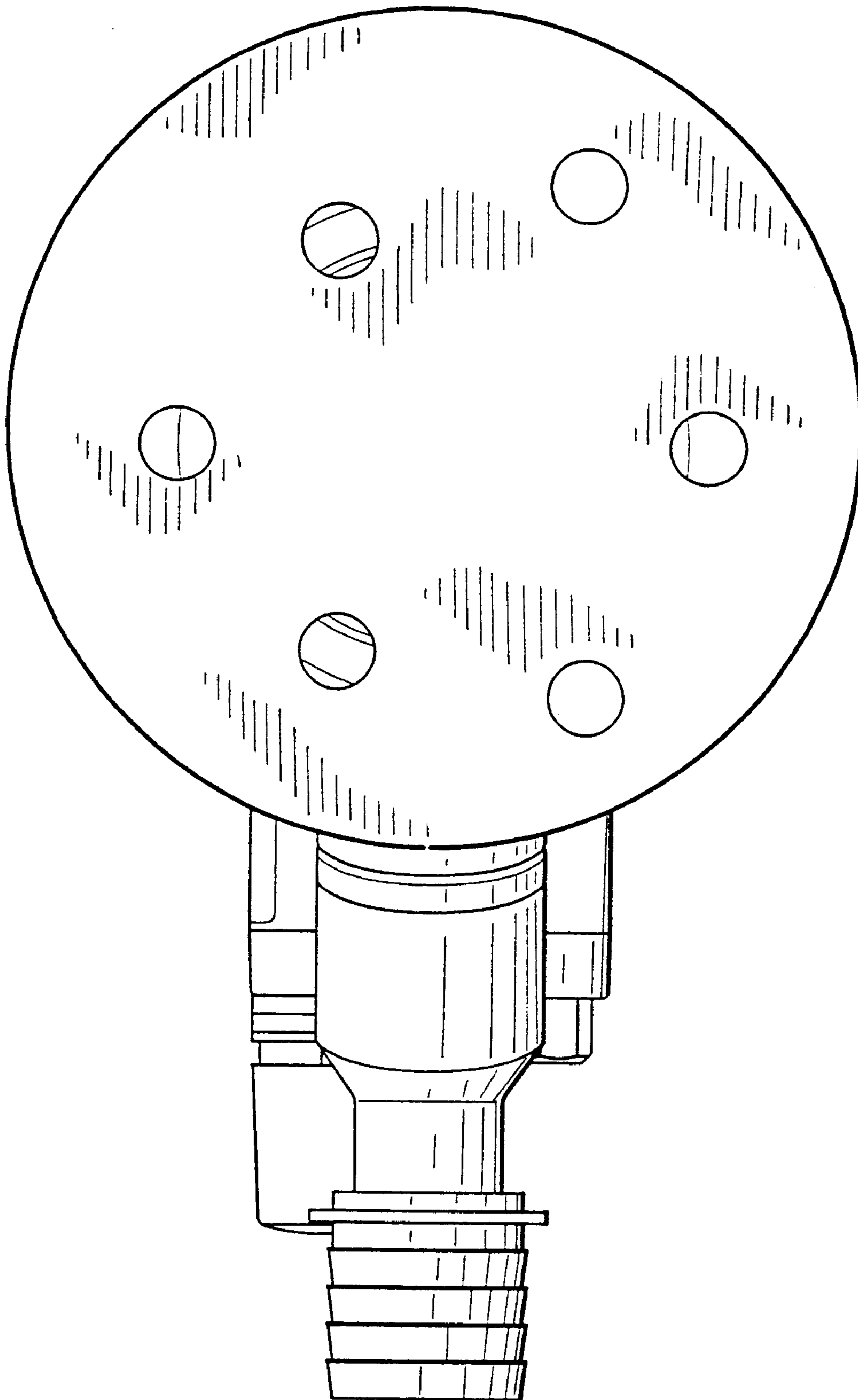


FIG. 7