



US00D458098S

(12) **United States Design Patent**  
**Hastings**

(10) **Patent No.:** **US D458,098 S**

(45) **Date of Patent:** **\*\* Jun. 4, 2002**

(54) **COMBINATION BOTTLE OPENER AND LIGHTER**

D374,740 S \* 10/1996 Seaman et al. .... D8/34

\* cited by examiner

(76) **Inventor:** **Mark Hastings**, 13145 Madison Ave.,  
Largo, FL (US) 33773

*Primary Examiner*—Caron D. Veynar

(74) *Attorney, Agent, or Firm*—Ronald E. Smith; Smith & Hopen, P.A.

(\*\*) **Term:** **14 Years**

(21) **Appl. No.:** **29/138,241**

(57) **CLAIM**

(22) **Filed:** **Mar. 9, 2001**

The ornamental design for a combination bottle opener and lighter, as substantially shown and described.

(51) **LOC (7) Cl.** ..... **07-99**

**DESCRIPTION**

(52) **U.S. Cl.** ..... **D8/34; D27/142**

(58) **Field of Search** ..... D8/33-43; D3/207-210;  
D27/130, 142; 81/3.07-3.49; 7/151-156;  
431/253, 254, 343

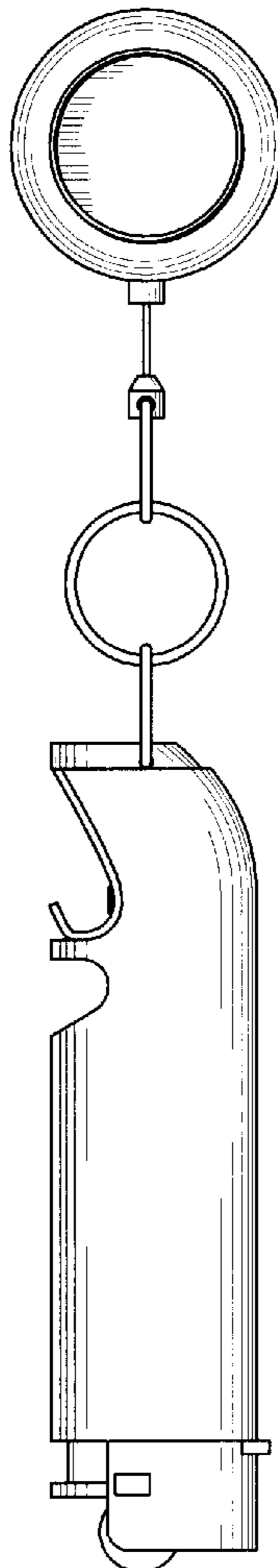
FIG. 1 is a front elevational view of a combination bottle opener and lighter showing my new design;  
FIG. 2 is a rear elevational view thereof;  
FIG. 3 is a side elevational view thereof;  
FIG. 4 is an opposite side elevational view thereof;  
FIG. 5 is a top plan view thereof, drawn on an enlarged scale; and,  
FIG. 6 is a bottom plan view thereof, drawn on an enlarged scale.

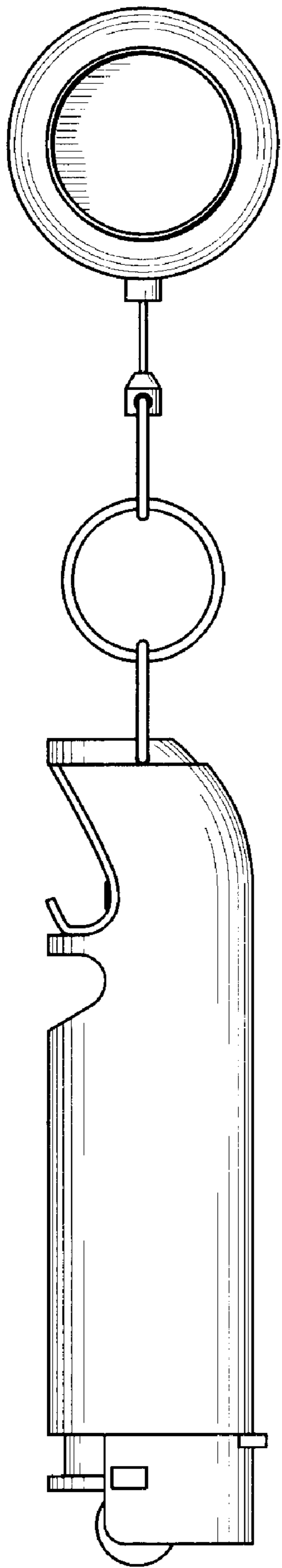
(56) **References Cited**

**U.S. PATENT DOCUMENTS**

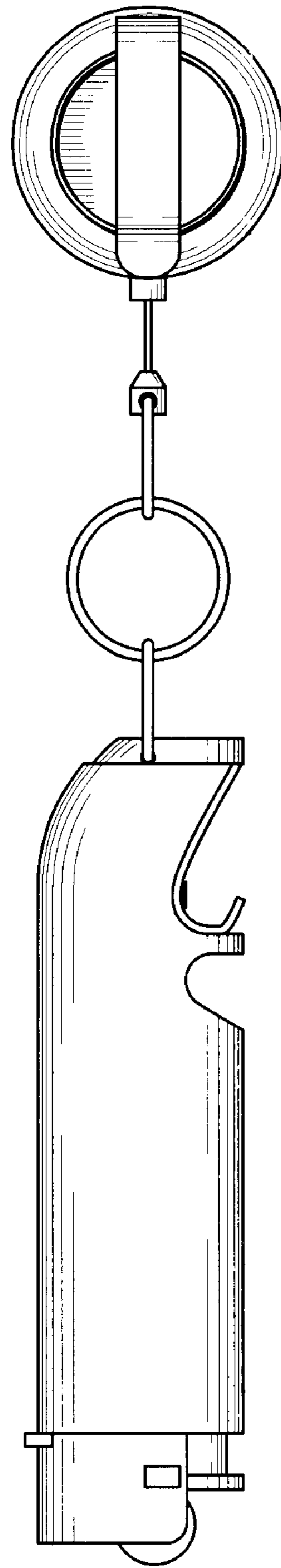
- 4,373,223 A \* 2/1983 Miller ..... 7/151
- 4,560,344 A \* 12/1985 Kietabl ..... 431/253
- 4,854,856 A \* 8/1989 Steiger, Jr. et al. .... 431/253
- 5,169,305 A \* 12/1992 Kee ..... 431/253

**1 Claim, 3 Drawing Sheets**

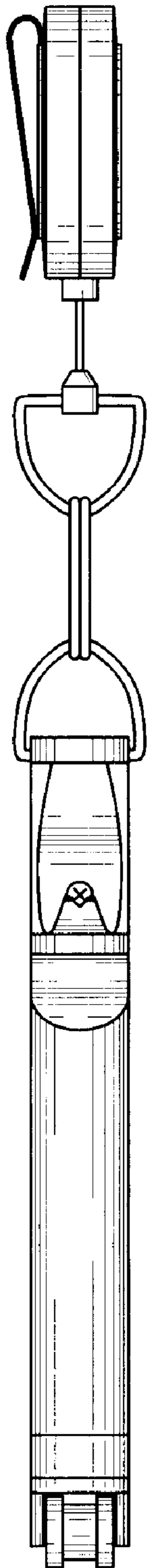




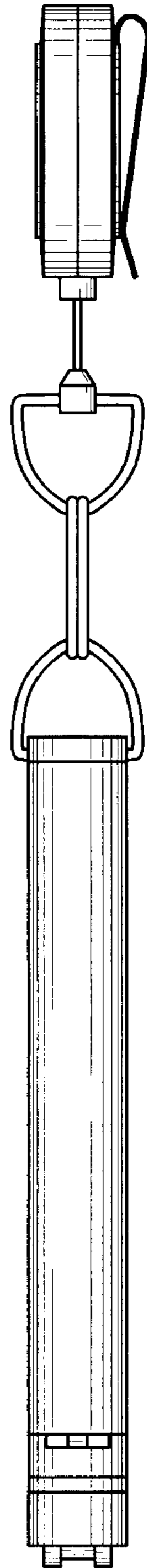
*Fig. 1*



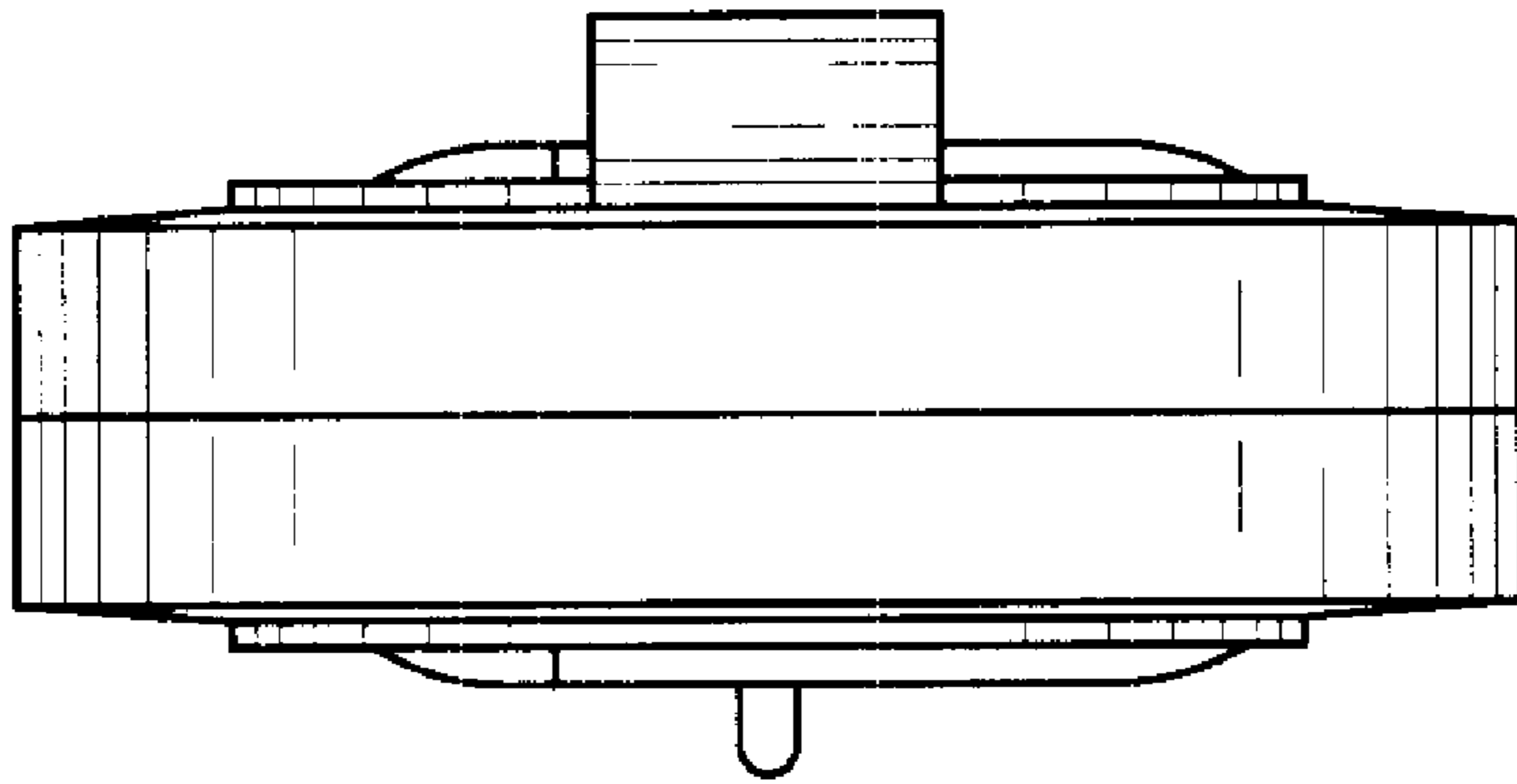
*Fig. 2*



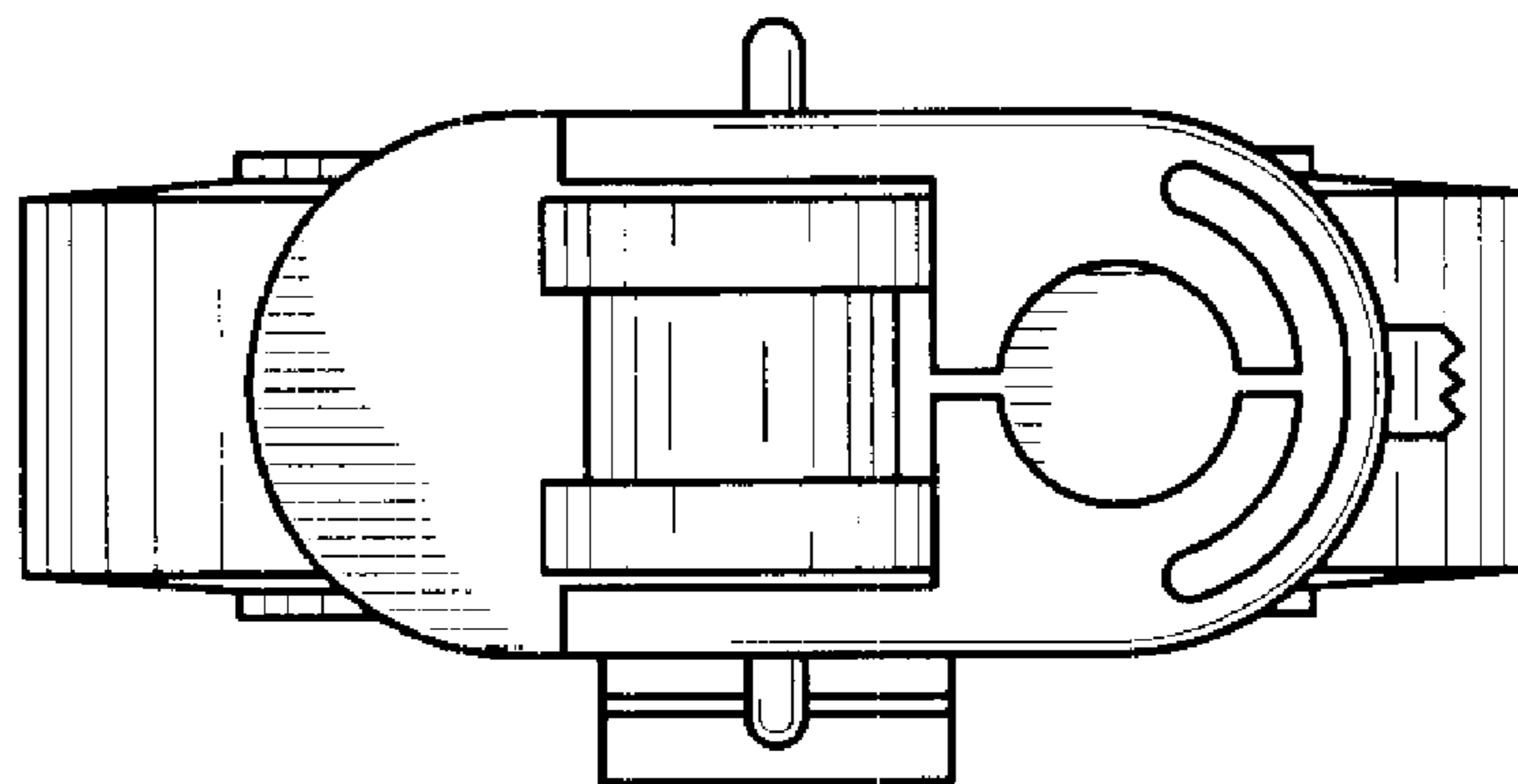
*Fig. 3*



*Fig. 4*



*Fig. 5*



*Fig. 6*