



US00D458097S

(12) **United States Design Patent**  
**de la Guardia**

(10) **Patent No.:** **US D458,097 S**

(45) **Date of Patent:** **\*\* Jun. 4, 2002**

(54) **BOTTLE OPENER**

(76) Inventor: **Mario Felix de la Guardia**, 13211 SW.  
39 Ter., Miami, FL (US) 33175

(\*\*) Term: **14 Years**

(21) Appl. No.: **29/139,321**

(22) Filed: **Mar. 28, 2001**

(51) **LOC (7) Cl.** ..... **07-99**

(52) **U.S. Cl.** ..... **D8/33**

(58) **Field of Search** ..... D8/18, 33-43;  
7/151-156; 81/3.07-3.49

D289,364 S	4/1987	Bass	
D296,978 S	8/1988	Smith	
4,846,024 A	7/1989	Bryant	
D303,345 S	9/1989	Sawatsky	
D311,668 S	10/1990	Bryant	
4,967,622 A	11/1990	Phillips	
D329,137 S	9/1992	Hinson	
D339,274 S	9/1993	Alpers	
D346,102 S	4/1994	Ogden	
D407,283 S	3/1999	Schwab	
D433,607 S	11/2000	Park	
D440,134 S	* 4/2001	Brix-Hansen	..... D8/33

\* cited by examiner

*Primary Examiner*—Caron D. Veynar

(56) **References Cited**

**U.S. PATENT DOCUMENTS**

D249,452 S	9/1978	Gendron
4,235,132 A	11/1980	Kendall
D261,854 S	11/1981	Nielsen
4,337,678 A	7/1982	Mumford
4,414,865 A	11/1983	Brooks
D273,555 S	4/1984	Tanner
4,455,894 A	6/1984	Roberts
D276,691 S	12/1984	Nielson
D281,051 S	10/1985	Nielsen
4,549,451 A	10/1985	Widman
D287,093 S	12/1986	Ryan
D287,812 S	1/1987	Bordonaro
D288,984 S	3/1987	Scheurer

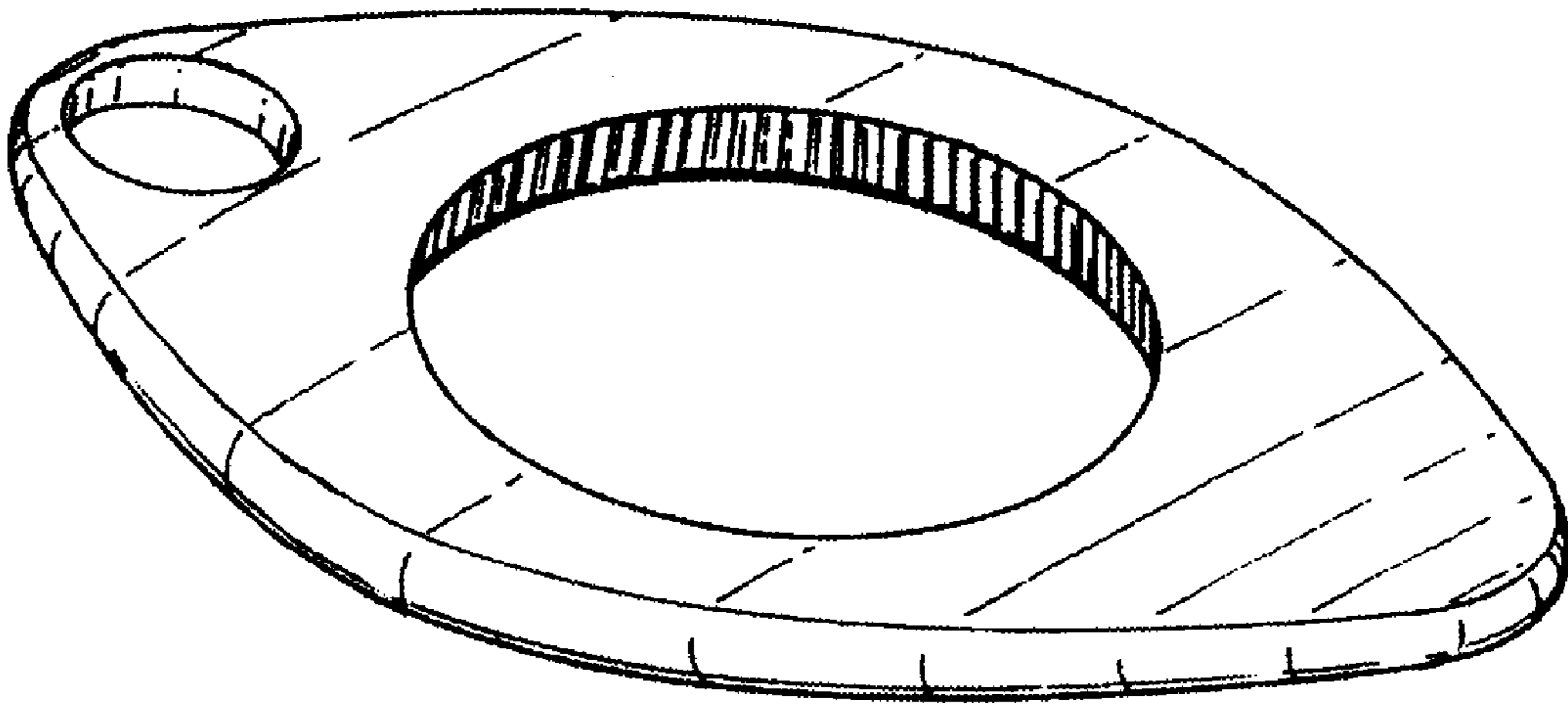
(57) **CLAIM**

The ornamental design for a bottle opener, as shown and described.

**DESCRIPTION**

FIG. 1 is a top perspective view of a bottle opener showing my new design;  
FIG. 2 is a top plan view thereof;  
FIG. 3 is a bottom plan view thereof;  
FIG. 4 is a front elevational view thereof;  
FIG. 5 is a rear elevational view thereof;  
FIG. 6 is a left end elevational view thereof; and,  
FIG. 7 is a right end elevational view thereof.

**1 Claim, 1 Drawing Sheet**



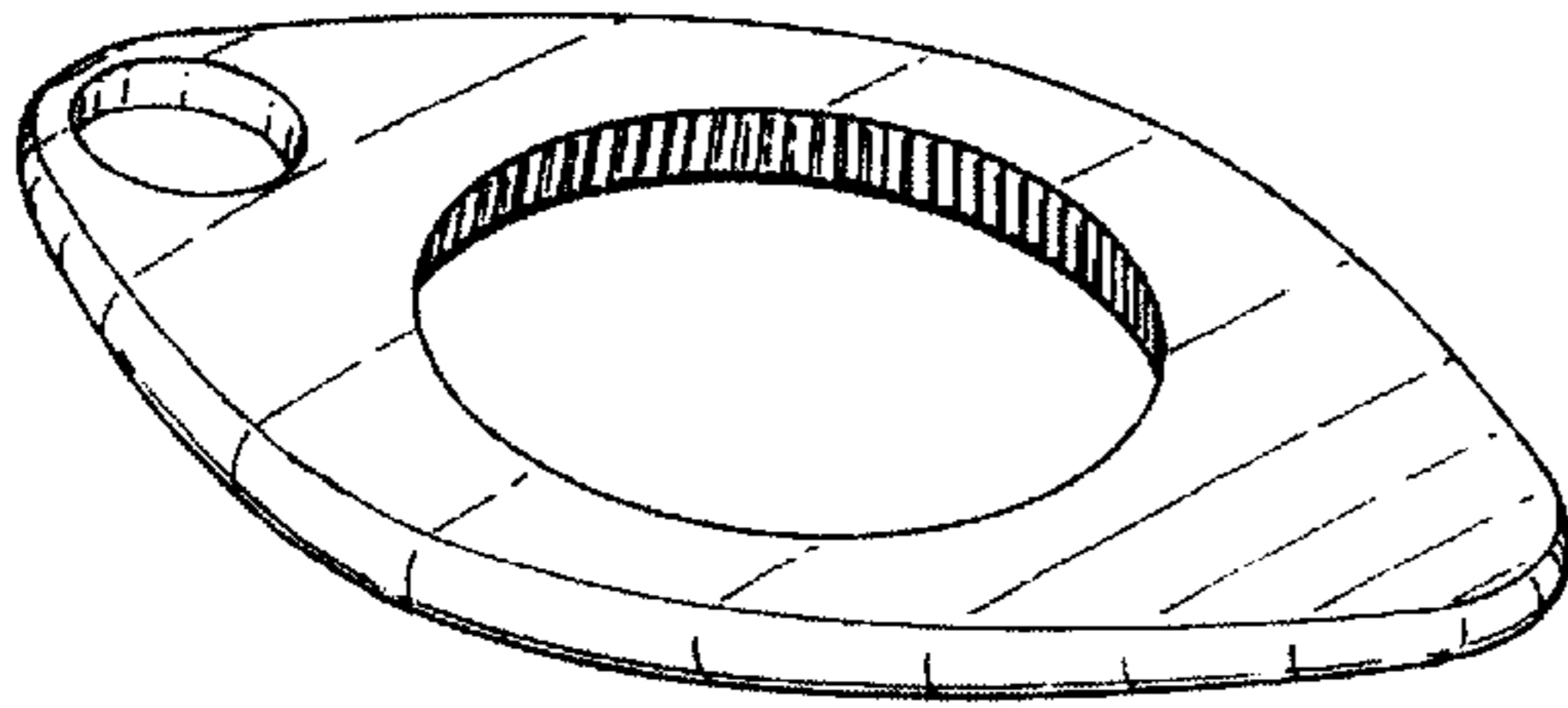


FIG. 1

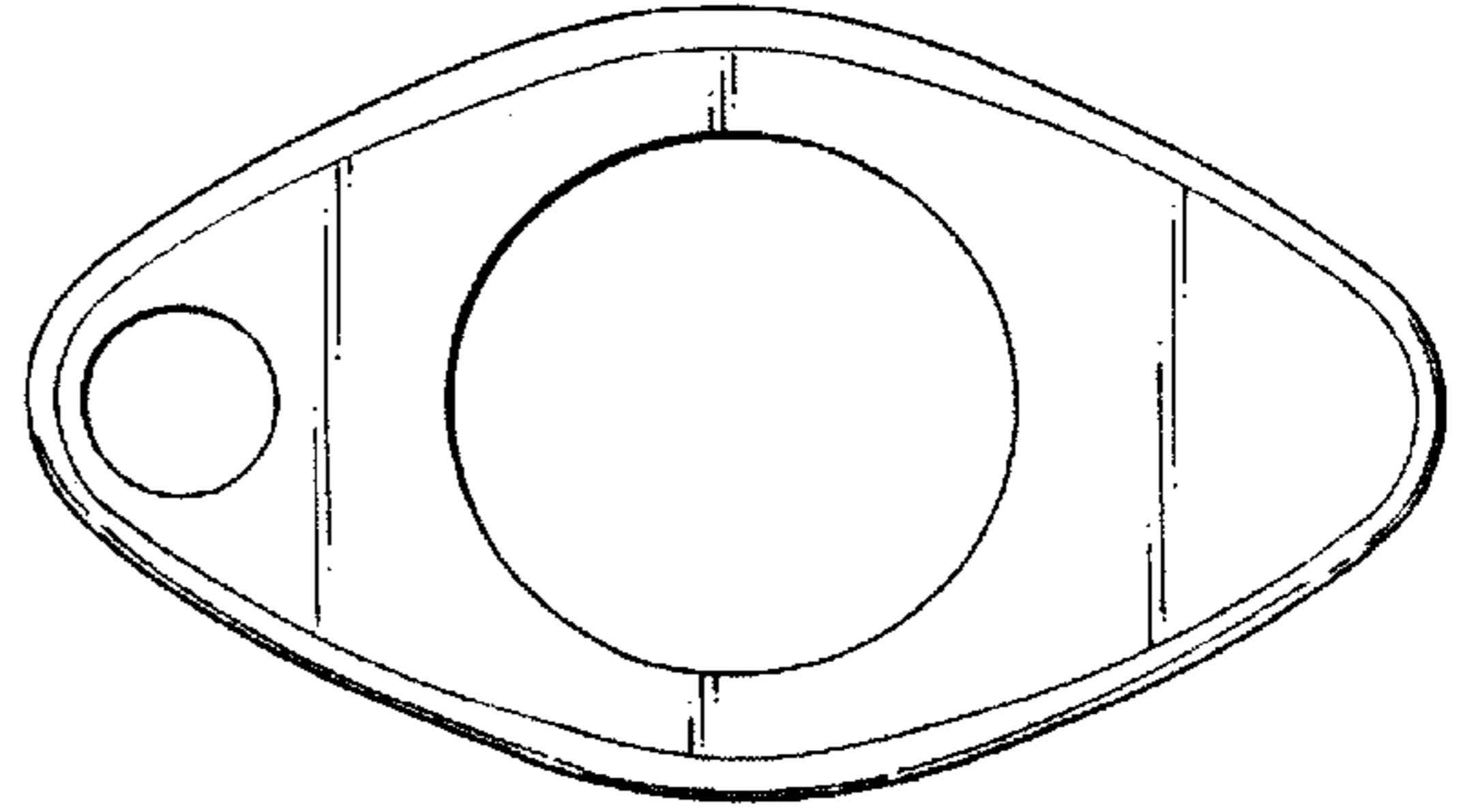


FIG. 2

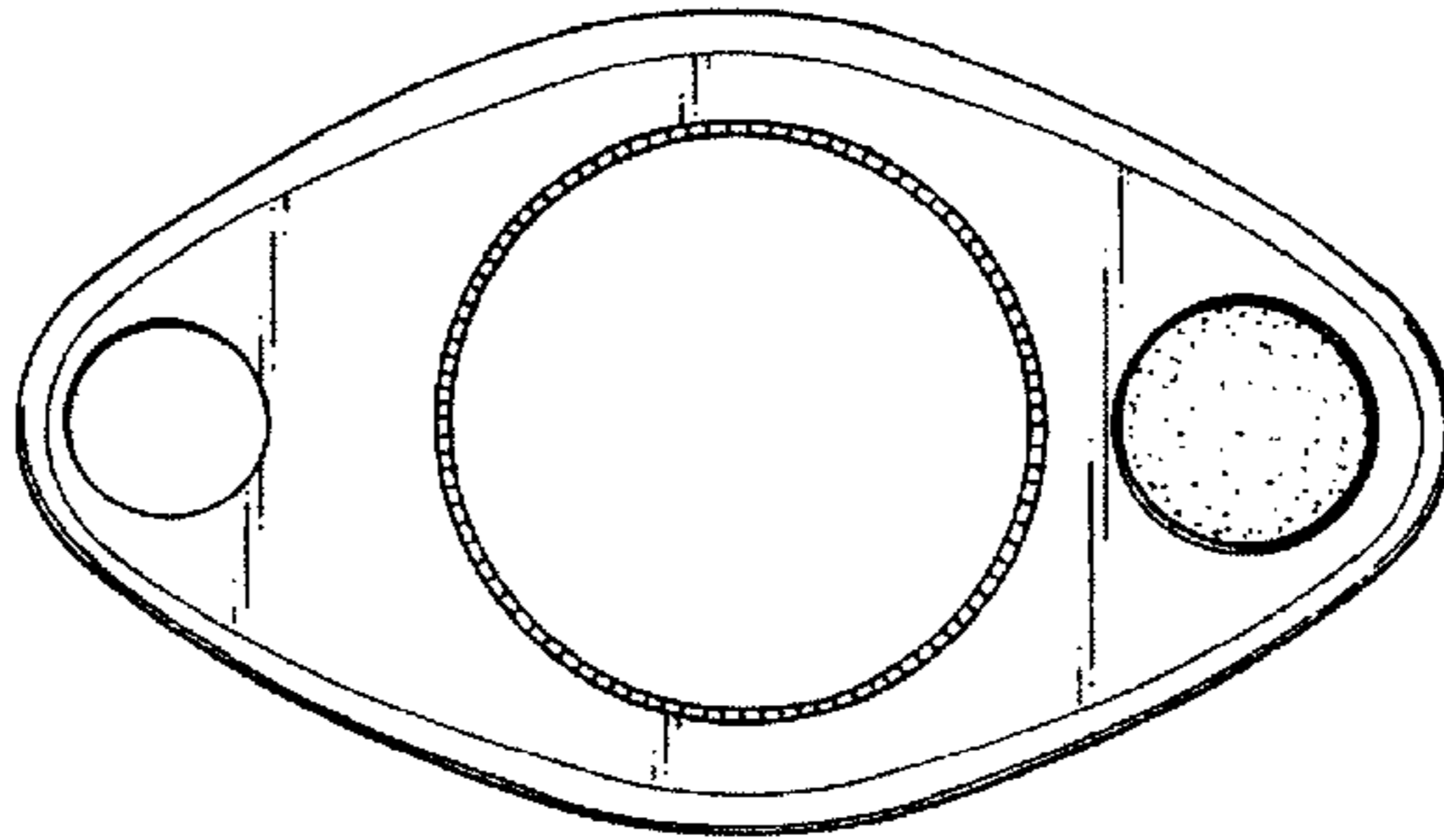


FIG. 3

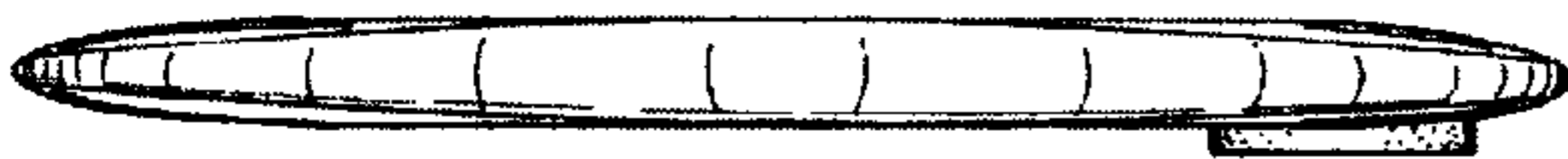


FIG. 4

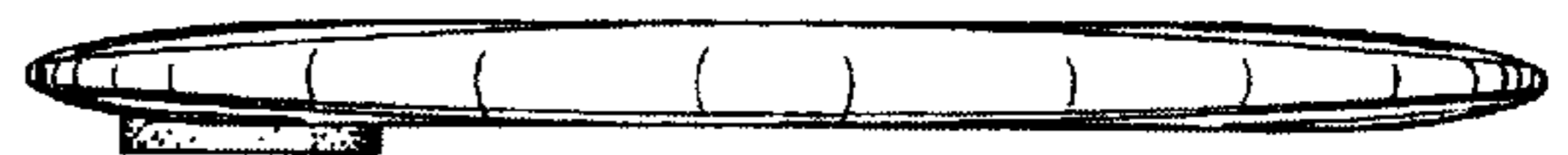


FIG. 5

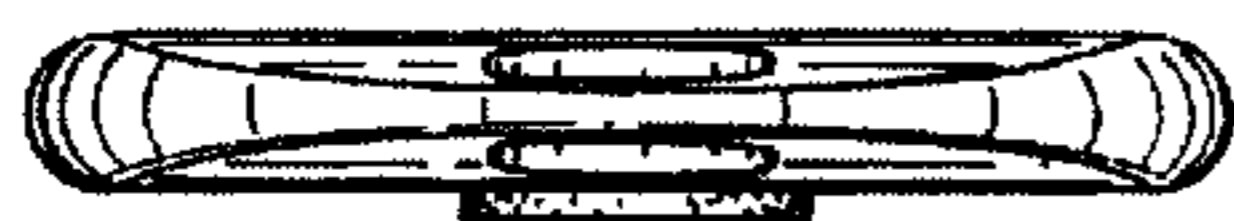


FIG. 6



FIG. 7