



US00D458095S

(12) **United States Design Patent**
Hueber

(10) **Patent No.:** **US D458,095 S**

(45) **Date of Patent:** **** Jun. 4, 2002**

(54) **RAKE FOR GOLF COURSE SANDTRAPS**

(75) **Inventor:** **David B Hueber**, Ponte Vedra Beach,
FL (US)

(73) **Assignee:** **Sabertooth Golf Co., Inc.**, Jacksonville
Beach, FL (US)

(**) **Term:** **14 Years**

(21) **Appl. No.:** **29/138,662**

(22) **Filed:** **Mar. 6, 2001**

(51) **LOC (7) Cl.** **08-01**

(52) **U.S. Cl.** **D8/13**

(58) **Field of Search** D8/1, 10, 13; 294/51;
56/400.01, 400.04, 400.05

(56) **References Cited**

U.S. PATENT DOCUMENTS

5,179,825 A * 1/1993 Griffiths 56/400.05
D350,464 S * 9/1994 Colonello D8/13

D397,592 S * 9/1998 Widmer D8/13
5,927,057 A * 7/1999 Hueber 56/400.04
D437,533 S * 2/2001 South D8/13
D439,119 S * 3/2001 Colonell D8/13

* cited by examiner

Primary Examiner—Robin V. Taylor

(57) **CLAIM**

The ornamental design for a rake for golf course sandtraps,
as shown and described.

DESCRIPTION

FIG. 1 is a perspective view of the rake without a handle;
FIG. 2 is a left end view of the rake, the right end view being
a mere image thereof;
FIG. 3 is a top view of the rake;
FIG. 4 is a rear end view of the rake;
FIG. 5 is a bottom view of the rake; and,
FIG. 6 is a sectional view taken along the line 6—6 of FIG.
2.

1 Claim, 2 Drawing Sheets

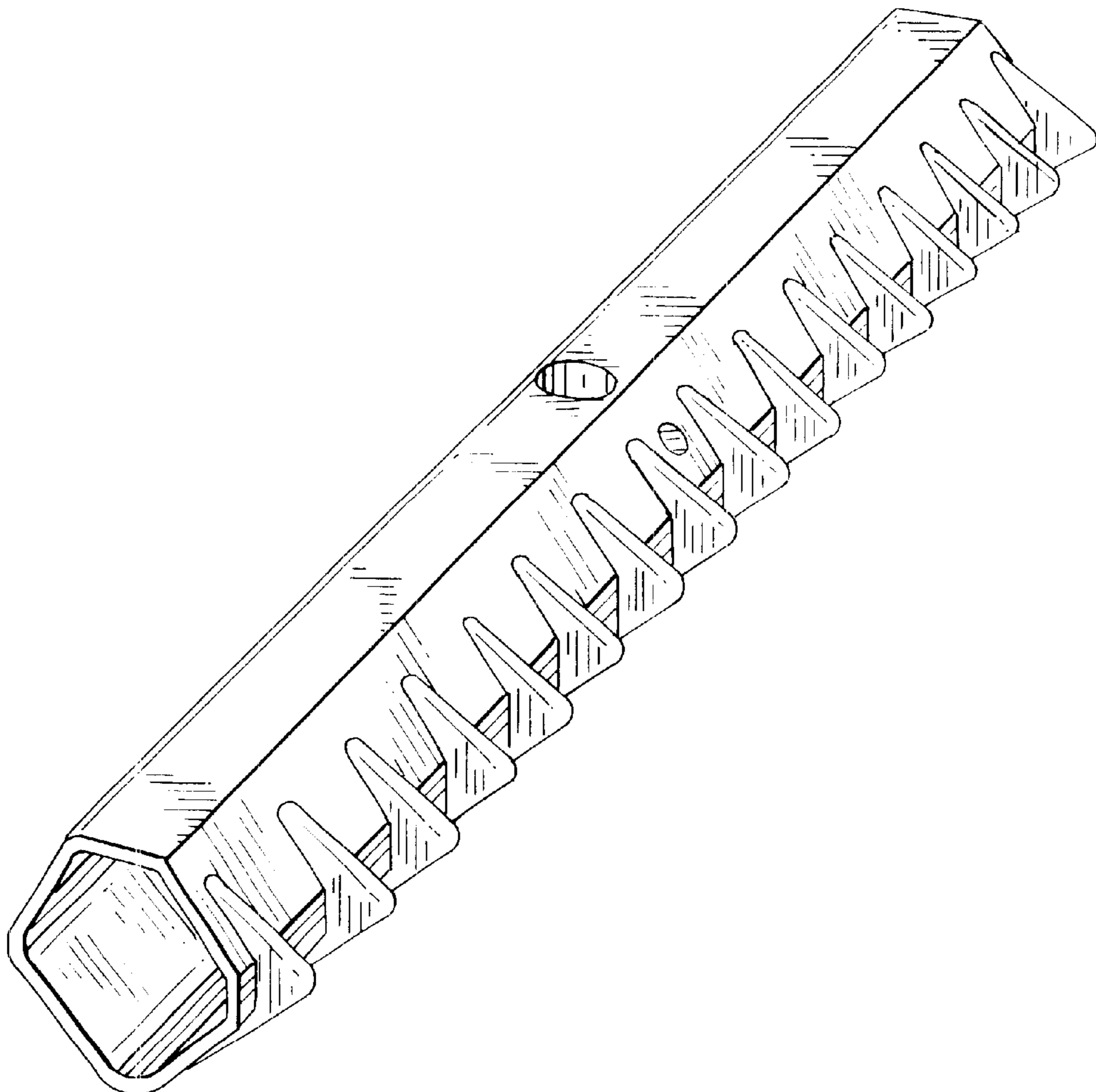


FIG. 1

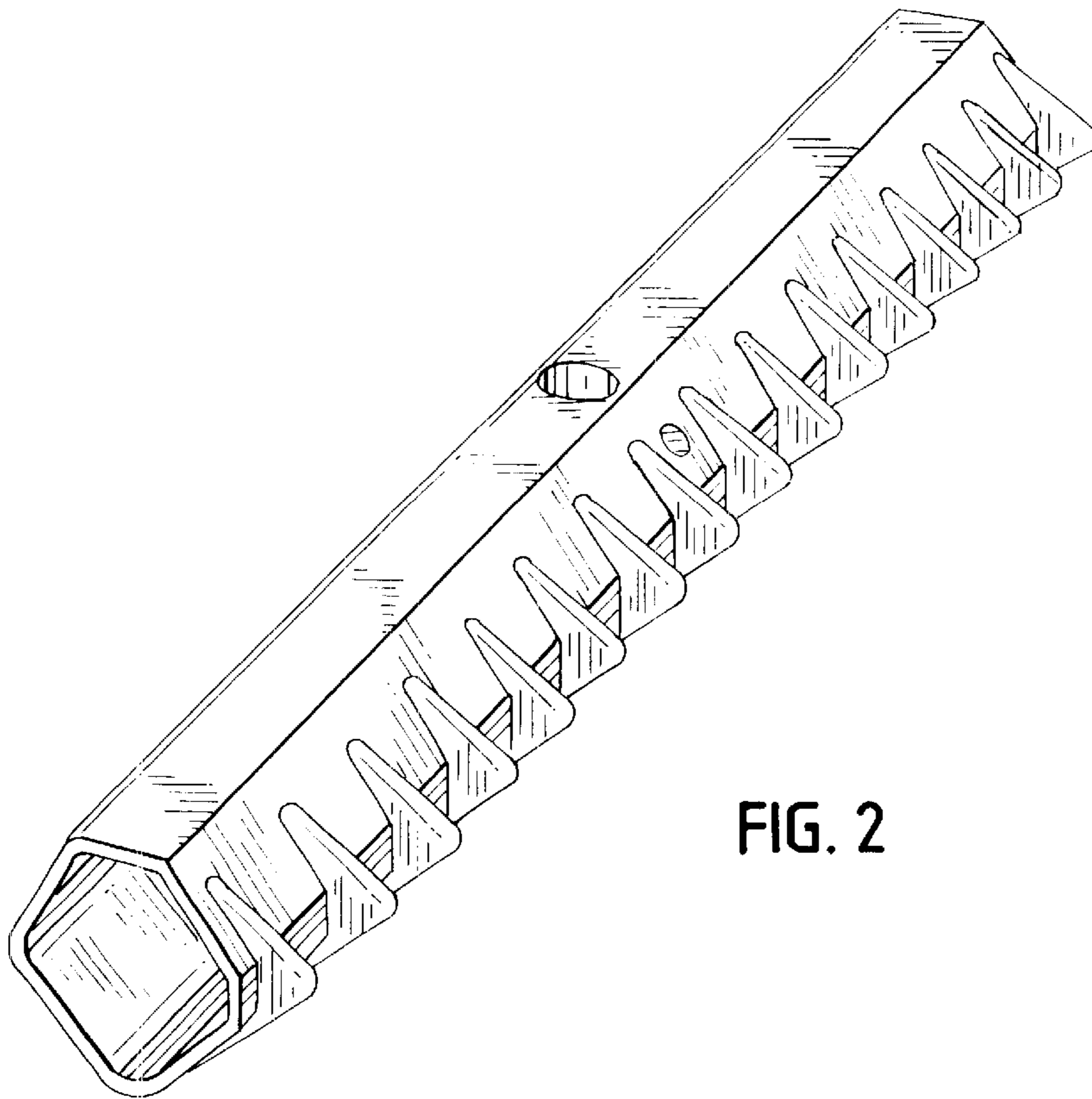


FIG. 2

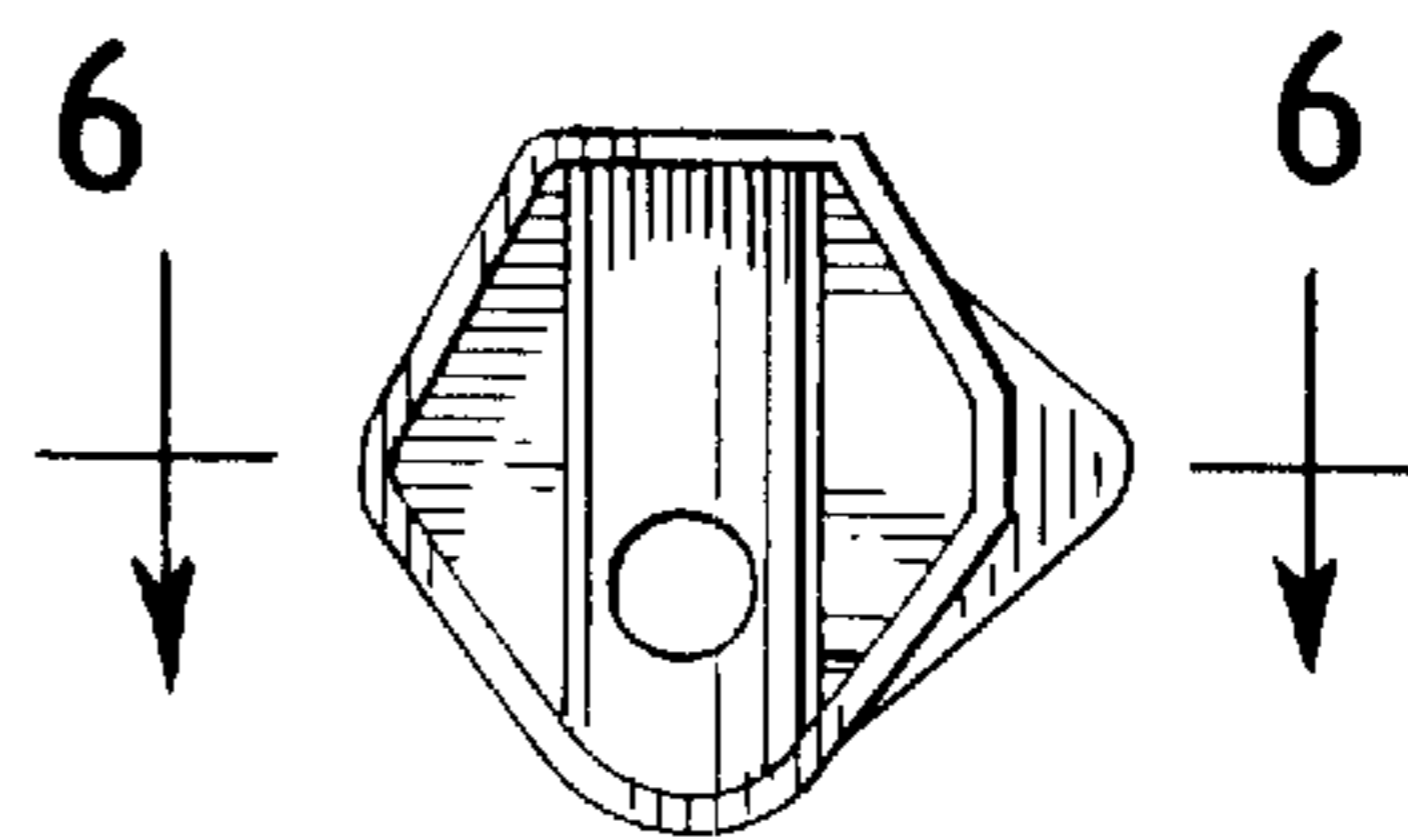


FIG. 3

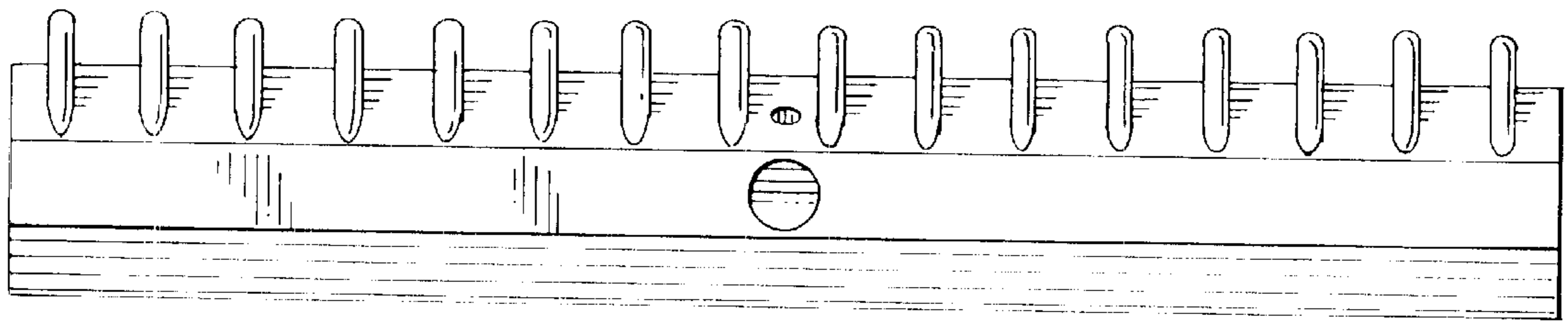


FIG. 4

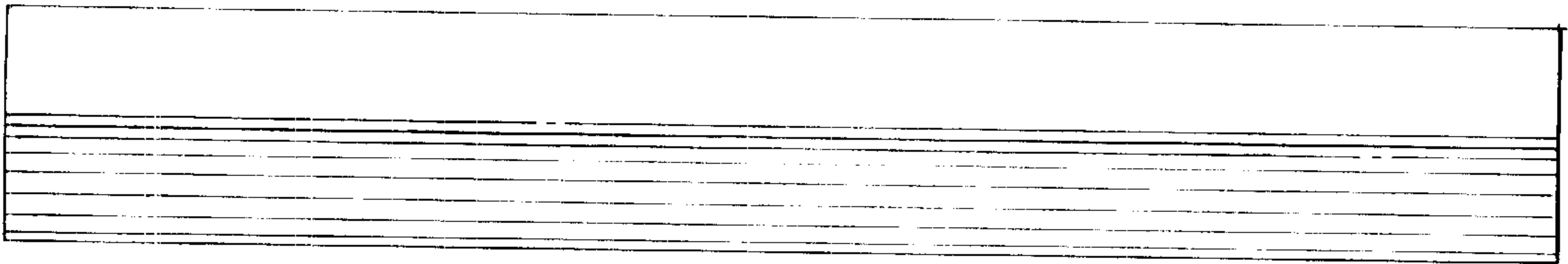


FIG. 5

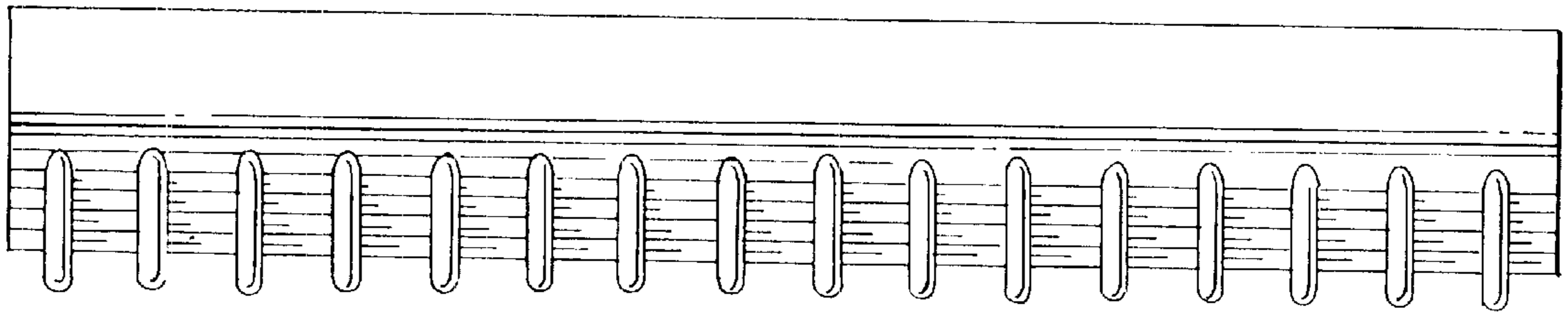


FIG. 6

