



US00D458093S

(12) **United States Design Patent**  
**Washek**

(10) **Patent No.:** **US D458,093 S**

(45) **Date of Patent:** **\*\* Jun. 4, 2002**

(54) **GARDEN TOOL**

(76) Inventor: **Robert J. Washek**, 8 Cedarhill Rd.,  
P.O. Box 179, Dover, MA (US) 02030

(\*\*) Term: **14 Years**

(21) Appl. No.: **29/136,902**

(22) Filed: **Feb. 8, 2001**

(51) **LOC (7) Cl.** ..... **08-01**

(52) **U.S. Cl.** ..... **D8/1**

(58) **Field of Search** ..... D8/1, 10; 172/21,  
172/22, 25; 294/50.5, 50.7

(56) **References Cited**

**U.S. PATENT DOCUMENTS**

264,138 A	9/1882	Colvin	
274,108 A	3/1883	Connor	
534,199 A	2/1895	Clouse	
2,082,476 A	6/1937	Allen	
2,733,100 A	* 1/1956	Simonsen	172/25
3,061,270 A	10/1962	Lowe	
3,602,542 A	* 8/1971	Disston	294/50.7
4,905,768 A	3/1990	Lorenz	

D314,317 S	*	2/1991	Thomson	.....	D8/5
5,207,466 A		5/1993	Ohlson		
5,435,396 A		7/1995	Robichaux		
5,441,118 A		8/1995	Cruz, Jr.		
5,461,788 A	*	10/1995	Taylor	.....	172/25
5,706,900 A		1/1998	Liao		
5,871,058 A		2/1999	Naccarato et al.		
D406,219 S		3/1999	Basek		
5,938,290 A	*	8/1999	Mikeska	.....	172/25
6,050,344 A		4/2000	Larson et al.		

\* cited by examiner

*Primary Examiner*—Robin V. Taylor

(74) *Attorney, Agent, or Firm*—Kriegsman & Kriegsman

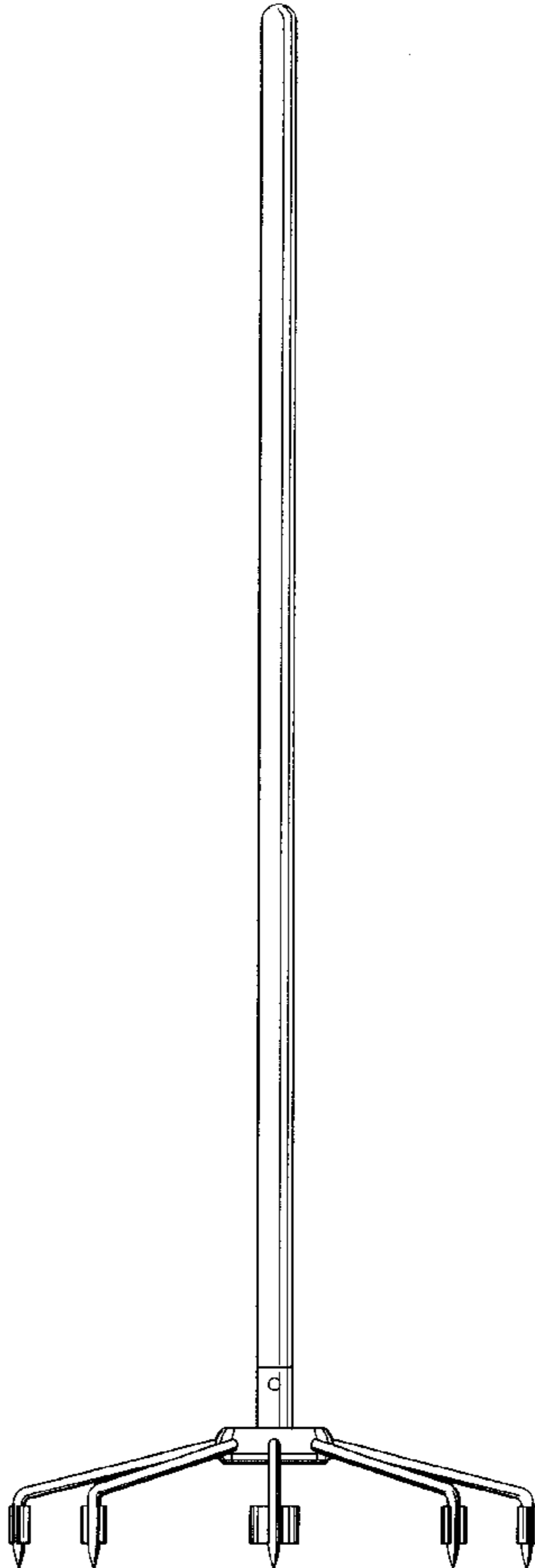
(57) **CLAIM**

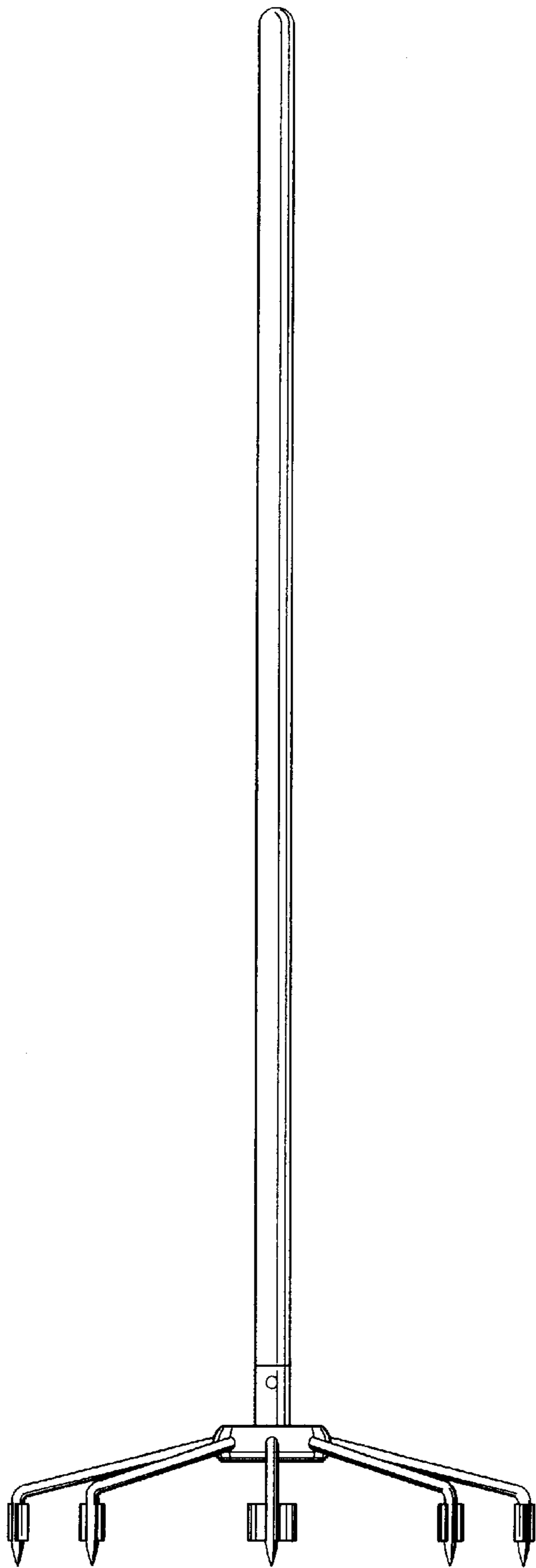
The ornamental design for a garden tool, as shown and described.

**DESCRIPTION**

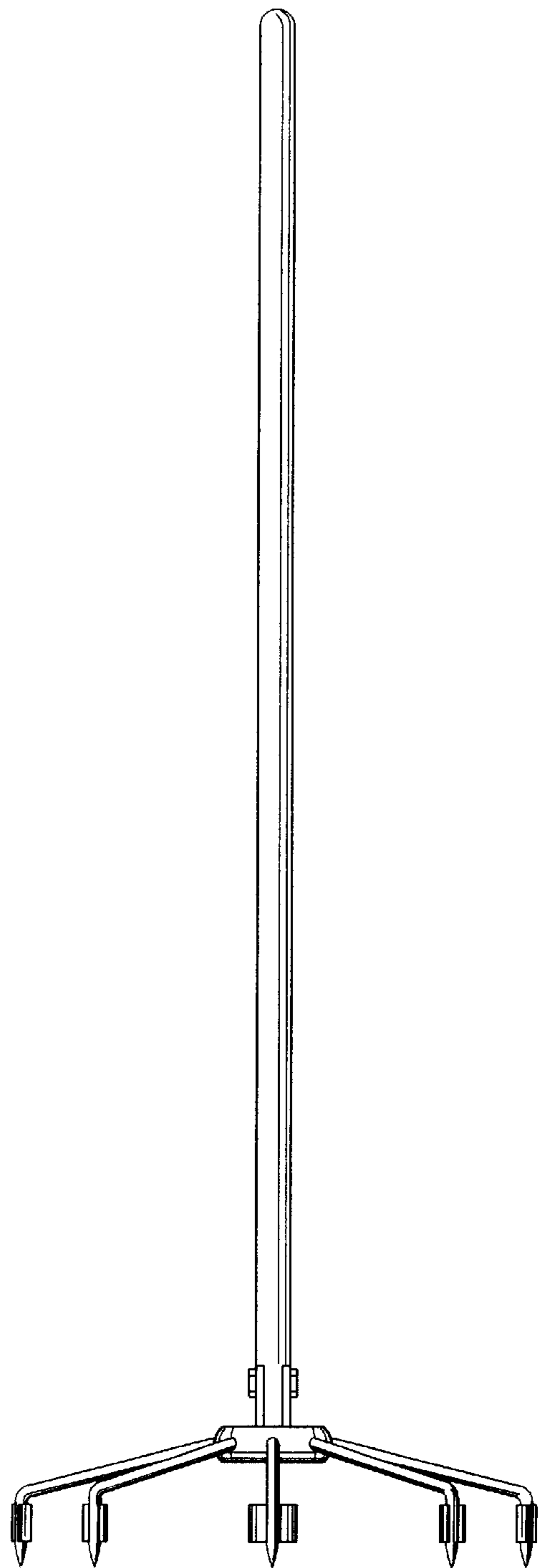
FIG. 1 is a left side view of a garden tool of this invention;  
FIG. 2 is a right side view thereof;  
FIG. 3 is a top view thereof; and,  
FIG. 4 is a bottom view thereof.

**1 Claim, 2 Drawing Sheets**

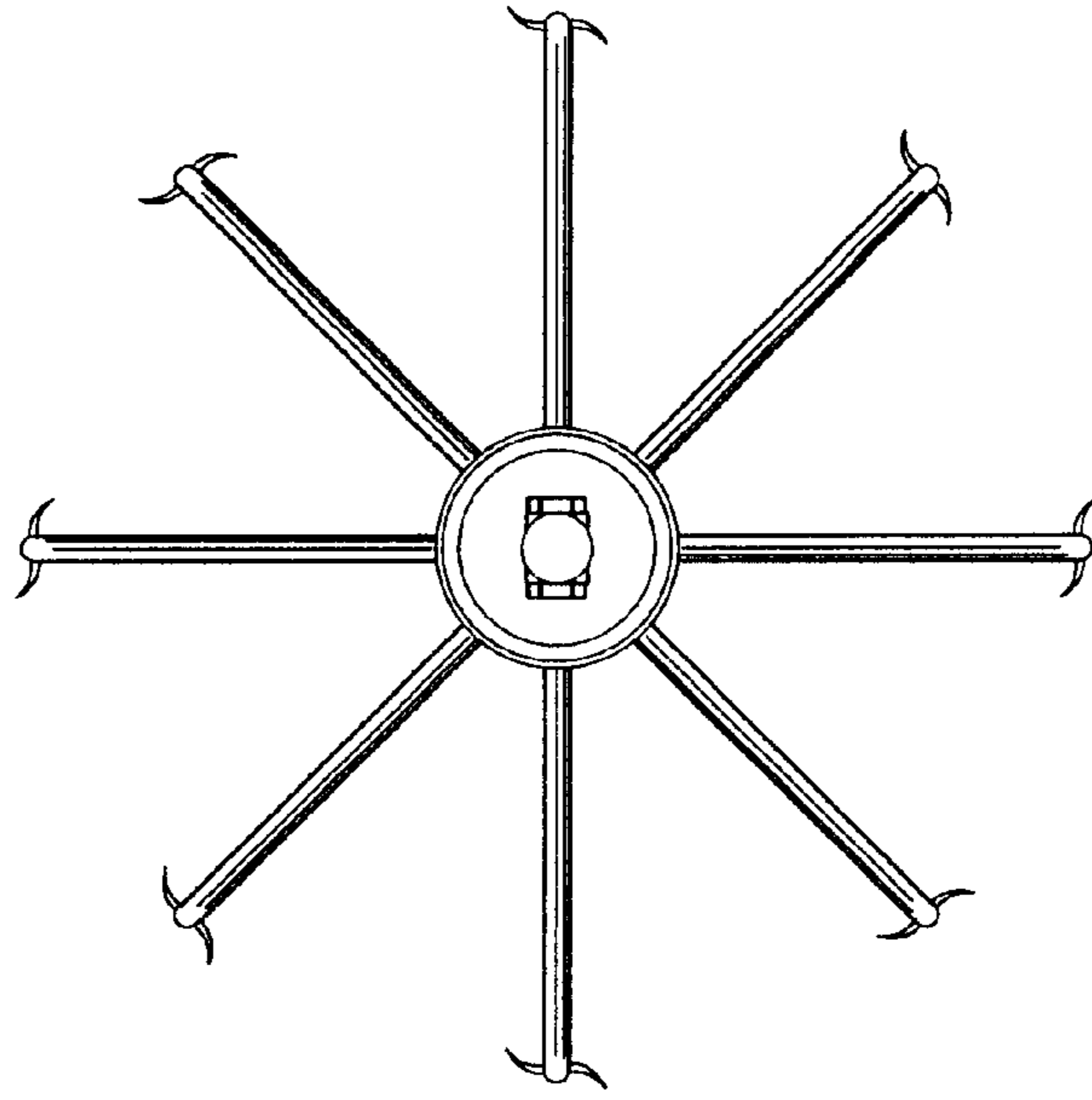




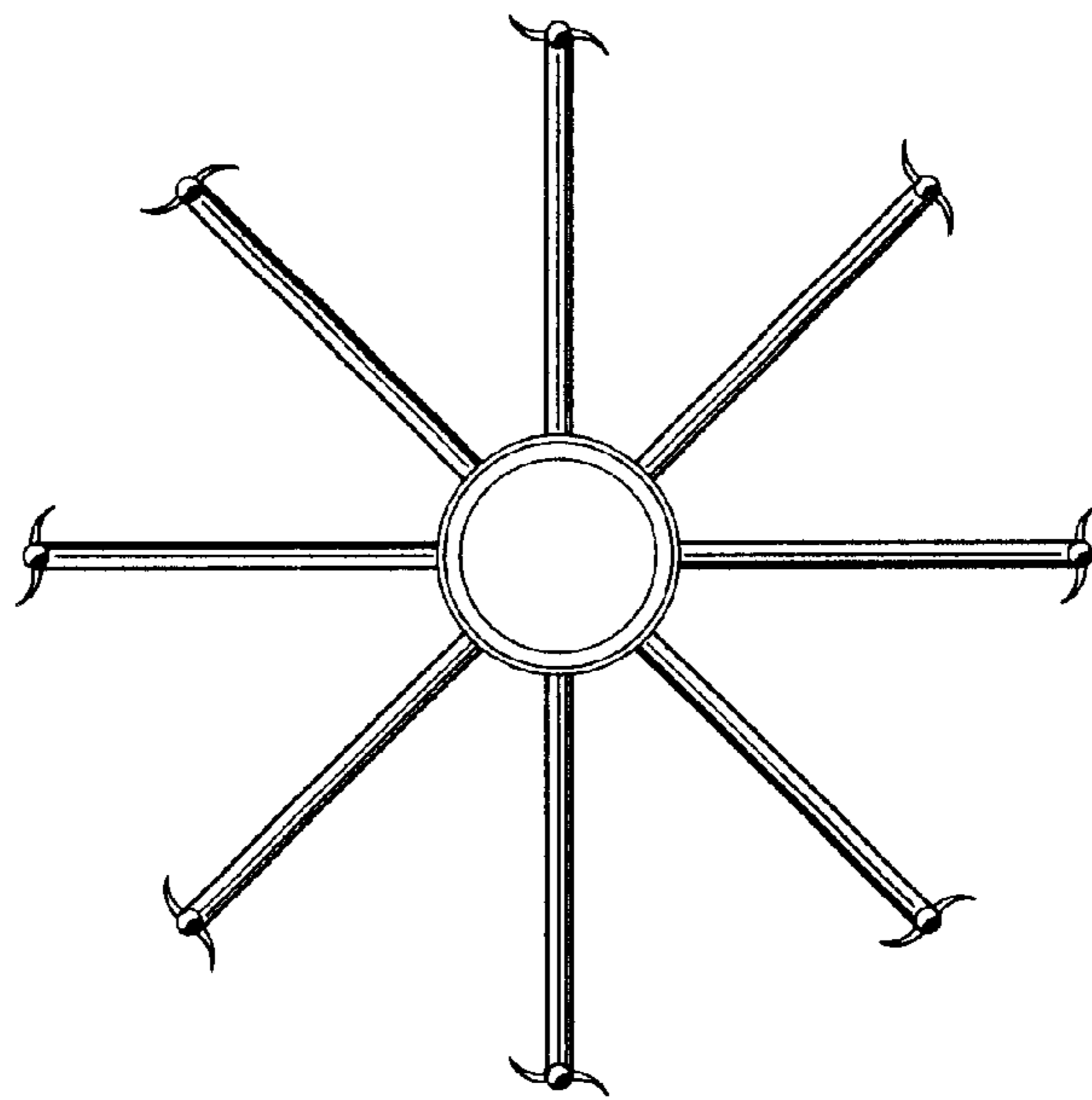
*FIG. 1*



*FIG. 2*



**FIG. 3**



**FIG. 4**