



US00D458092S

(12) **United States Design Patent**
Rumpf

(10) **Patent No.:** **US D458,092 S**

(45) **Date of Patent:** **** Jun. 4, 2002**

(54) **SOUVENIR CUP HOLDER**

D354,188 S * 1/1995 Koehler D6/567
D354,874 S * 1/1995 Burch D6/567

(76) **Inventor:** **Tony Rumpf**, 12638 Sperry Rd.,
Chesterland, OH (US) 44026

* cited by examiner

(**) **Term:** **14 Years**

Primary Examiner—Terry A. Wallace
(74) *Attorney, Agent, or Firm*—Joseph H. Taddeo

(21) **Appl. No.:** **29/135,911**

(57) **CLAIM**

(22) **Filed:** **Jan. 22, 2001**

The ornamental design for a souvenir cup holder, as shown and described.

(51) **LOC (7) Cl.** **06-04**

(52) **U.S. Cl.** **D7/707; D6/574**

(58) **Field of Search** D7/701-708, 619-625;
D6/449, 457, 466, 467, 469, 512, 524-535,
552, 553, 556, 567, 574; 211/13.1, 60.1,
63, 66, 70.1, 70.6, 71.01, 74.75

DESCRIPTION

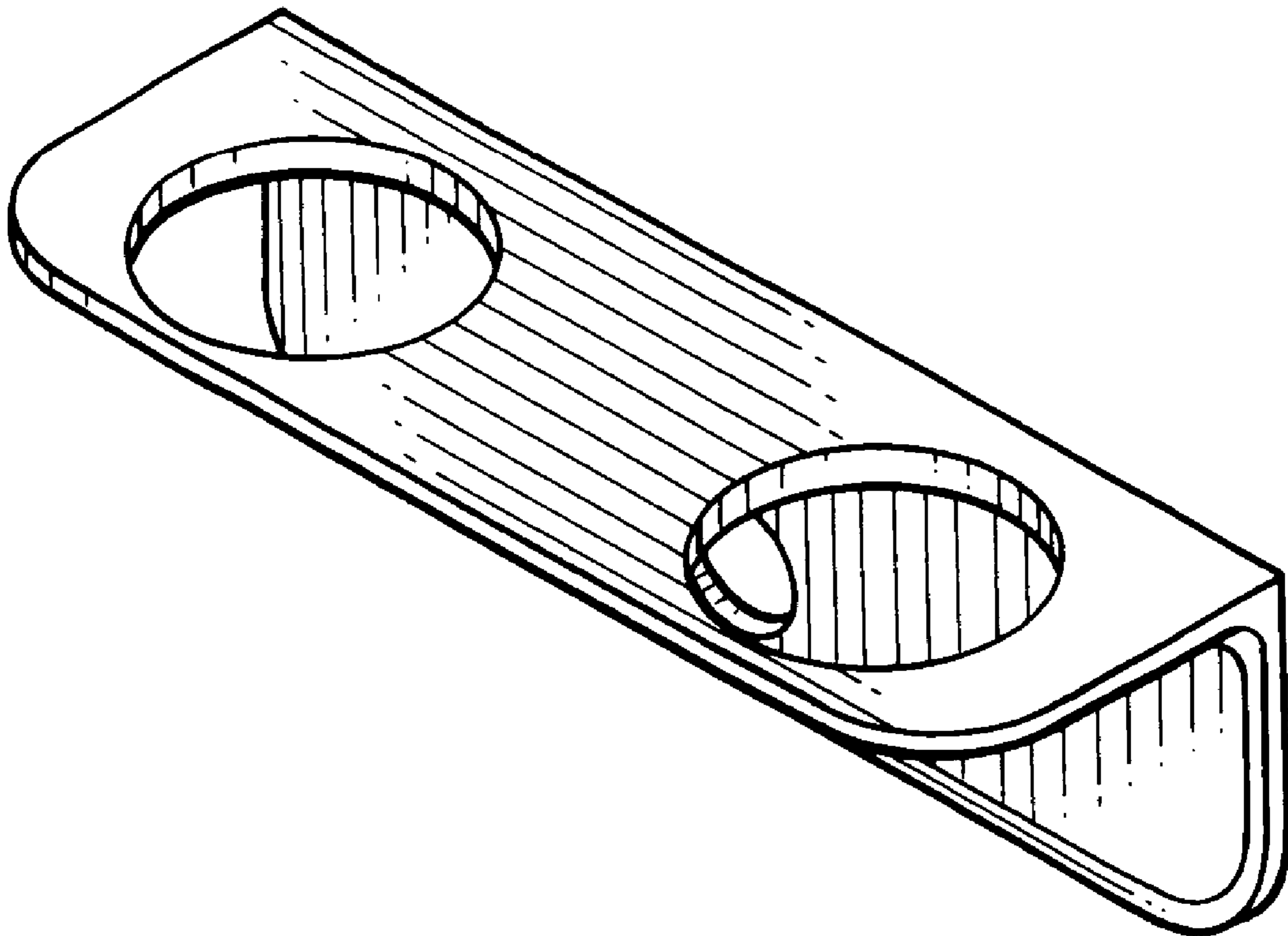
FIG. 1 is a perspective view of my new design for a souvenir cup holder;
FIG. 2 is a top plan view thereof;
FIG. 3 is a bottom plan view thereof;
FIG. 4 is a rear elevational view thereof;
FIG. 5 is a front elevational view thereof; and,
FIG. 6 is an end view of my new design, the other end is a mirror image.

(56) **References Cited**

U.S. PATENT DOCUMENTS

D248,909 S * 8/1978 Frazian D6/558
D294,548 S * 3/1988 Wallace D6/567
D328,521 S * 8/1992 Sletvold D7/620 X

1 Claim, 1 Drawing Sheet



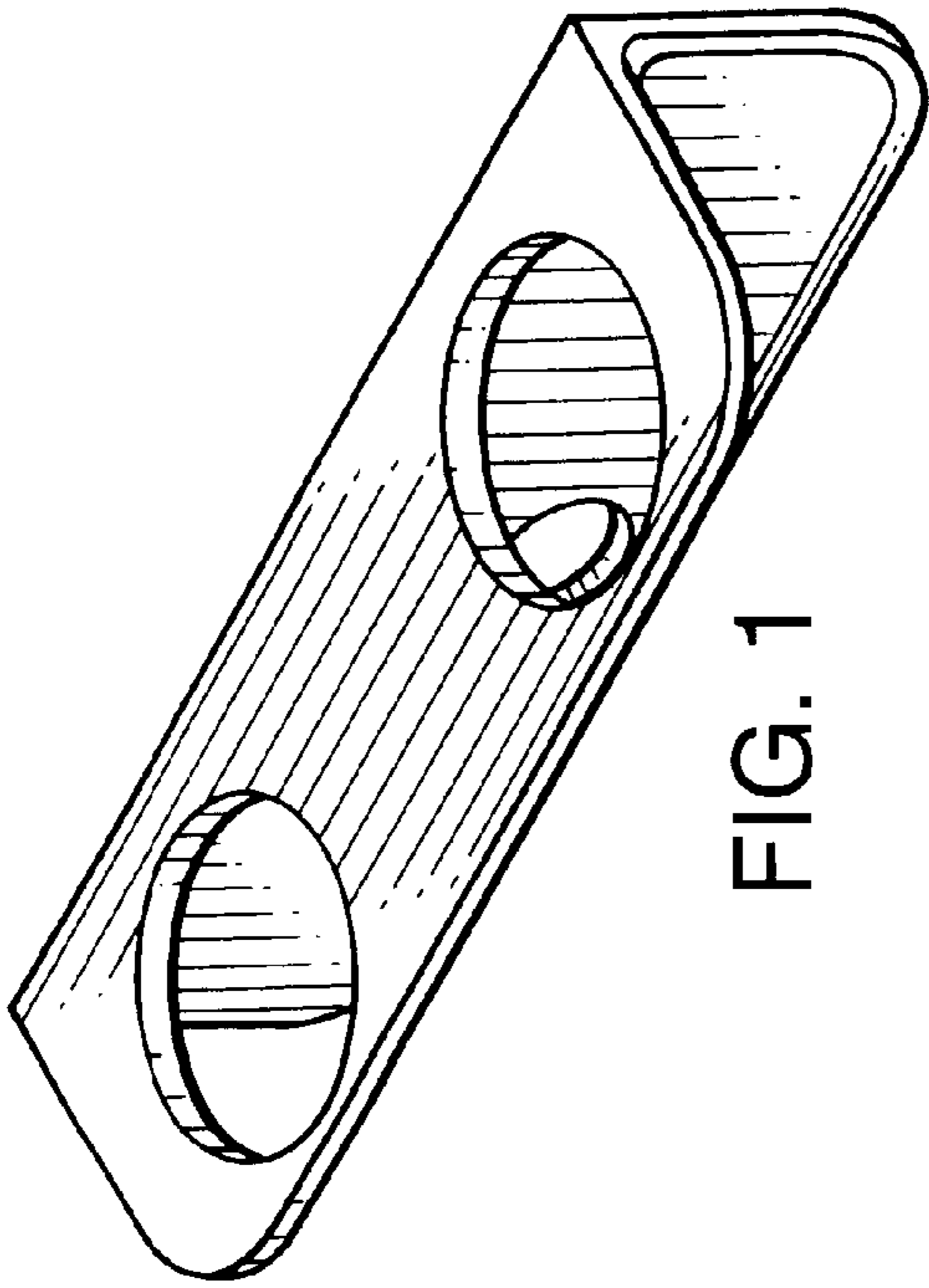


FIG. 1

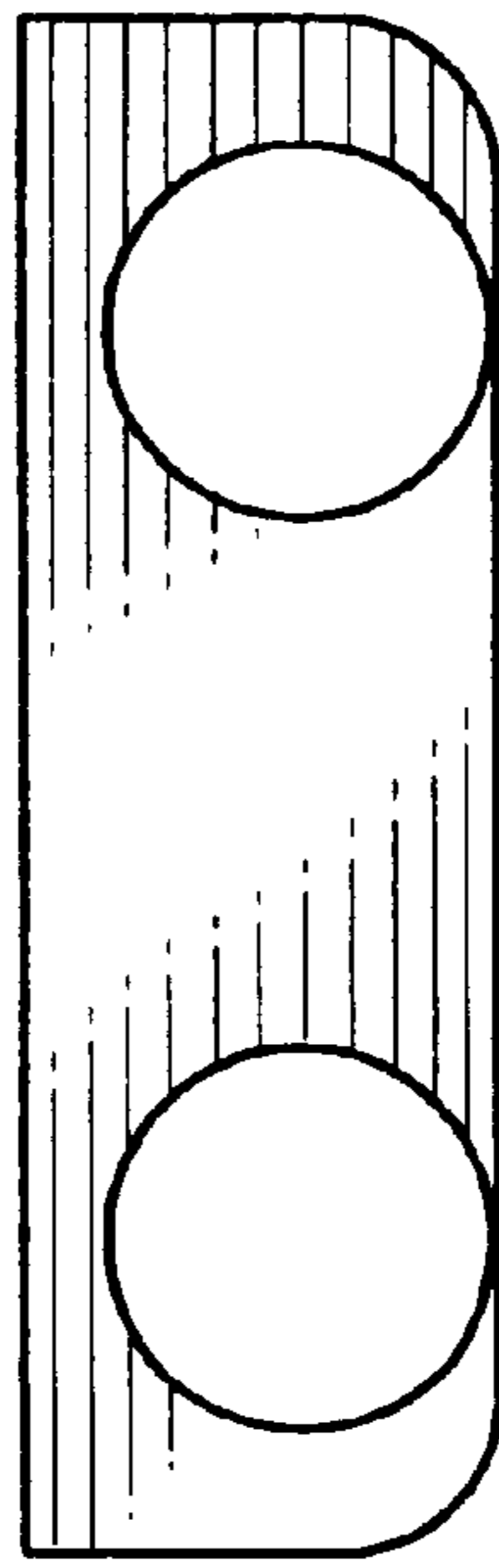


FIG. 2

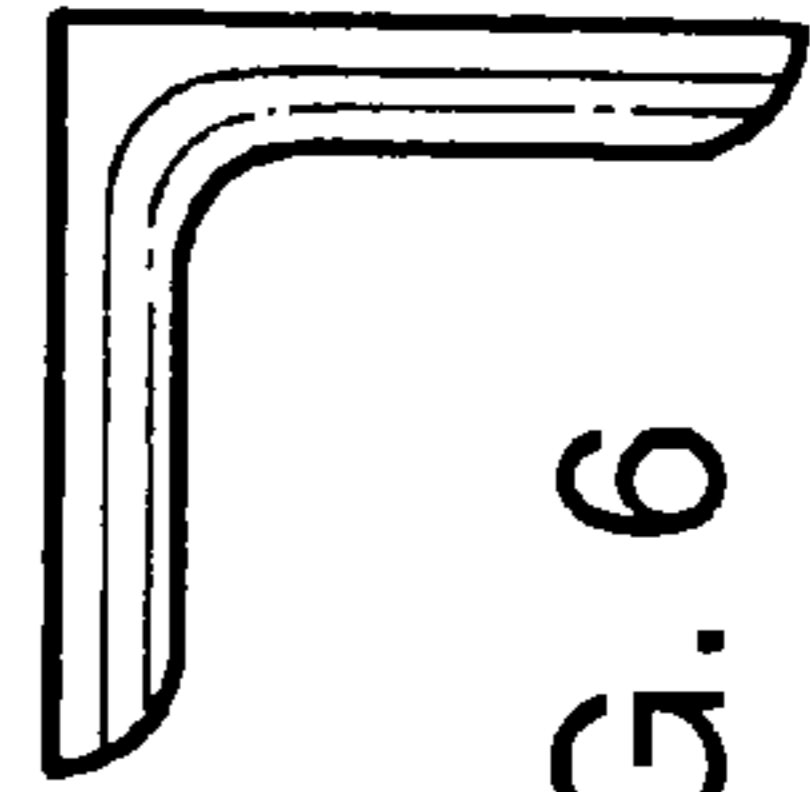


FIG. 6



FIG. 3

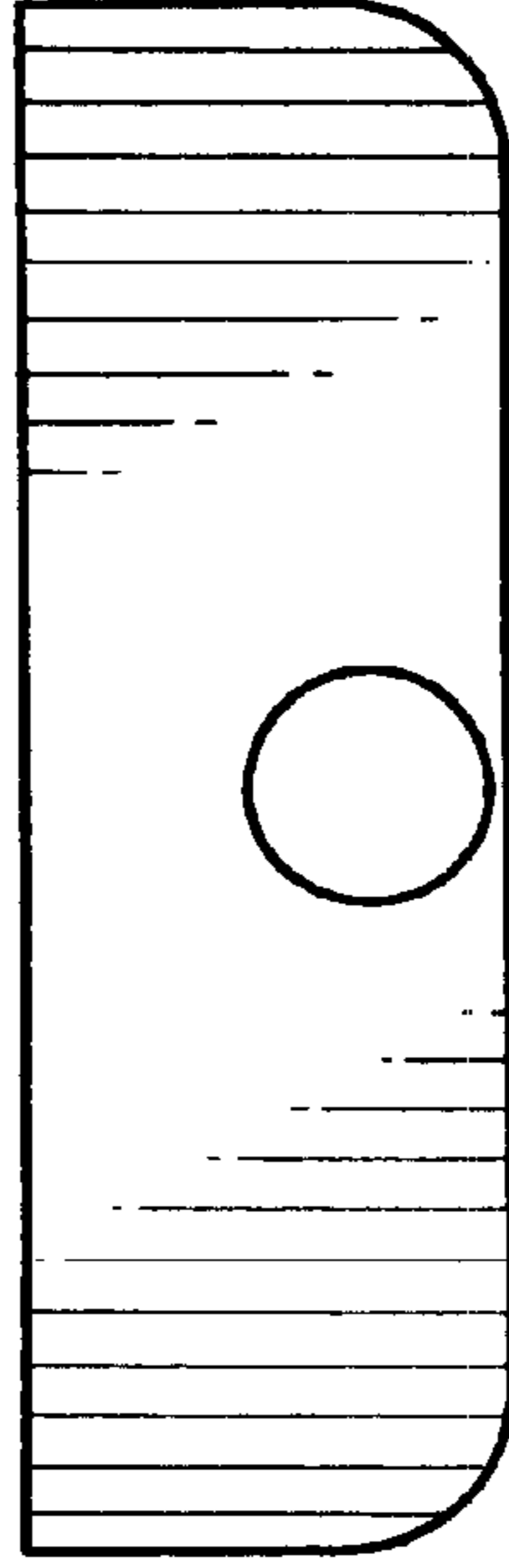


FIG. 4

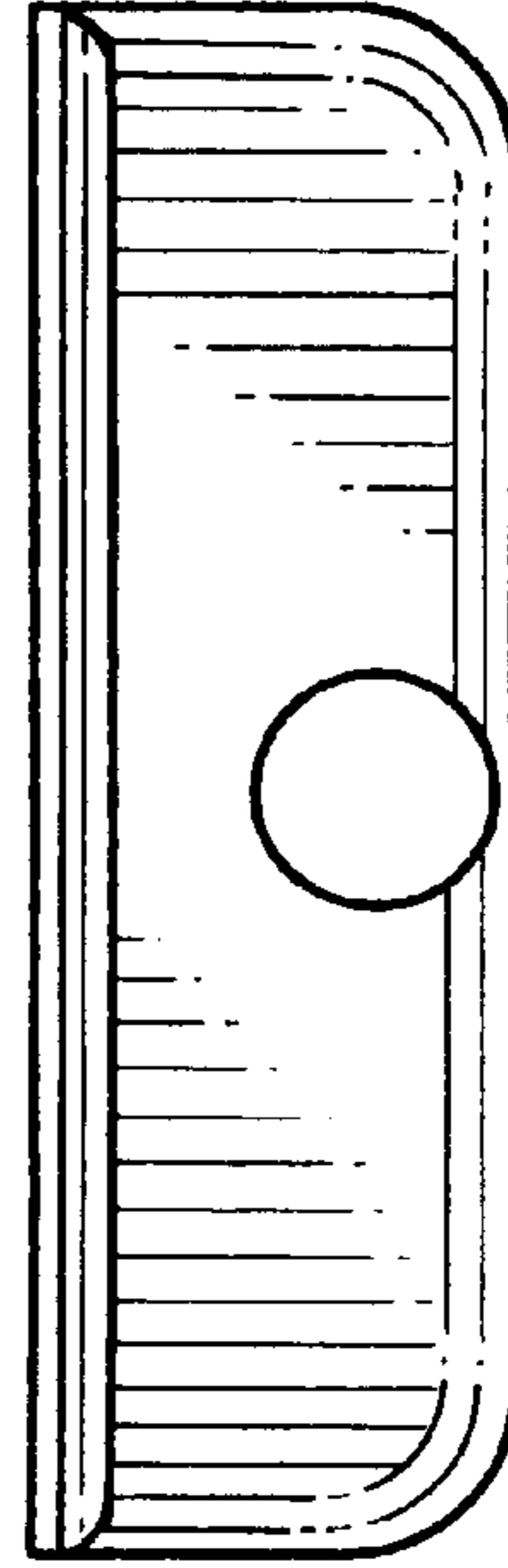


FIG. 5