



US00D458091S

(12) **United States Design Patent**
Wallays et al.

(10) **Patent No.:** **US D458,091 S**

(45) **Date of Patent:** **** Jun. 4, 2002**

- (54) **COMBINED SCOOP AND COLANDER**
- (75) Inventors: **Nele Wallays**, Antwerp; **Victor J. J. Cauteereels**, Ranst, both of (BE)
- (73) Assignee: **Dart Industries Inc**, Orlando, FL (US)
- (**) Term: **14 Years**
- (21) Appl. No.: **29/141,045**
- (22) Filed: **Apr. 27, 2001**
- (51) **LOC (7) Cl.** **07-02**
- (52) **U.S. Cl.** **D7/692**
- (58) **Field of Search** D7/667, 668, 691, D7/692, 400; 210/464, 465, 466, 469, 470, 471-4, 482, 497.01, 498, 495

- D259,166 S 5/1981 Krusche
- 4,273,318 A 6/1981 Crowhurst
- 4,440,385 A 4/1984 Kingery
- D337,186 S 7/1993 Drach
- D390,072 S 2/1998 Miller

* cited by examiner
Primary Examiner—Terry A. Wallace
 (74) *Attorney, Agent, or Firm*—Taylor J. Ross

(57) **CLAIM**

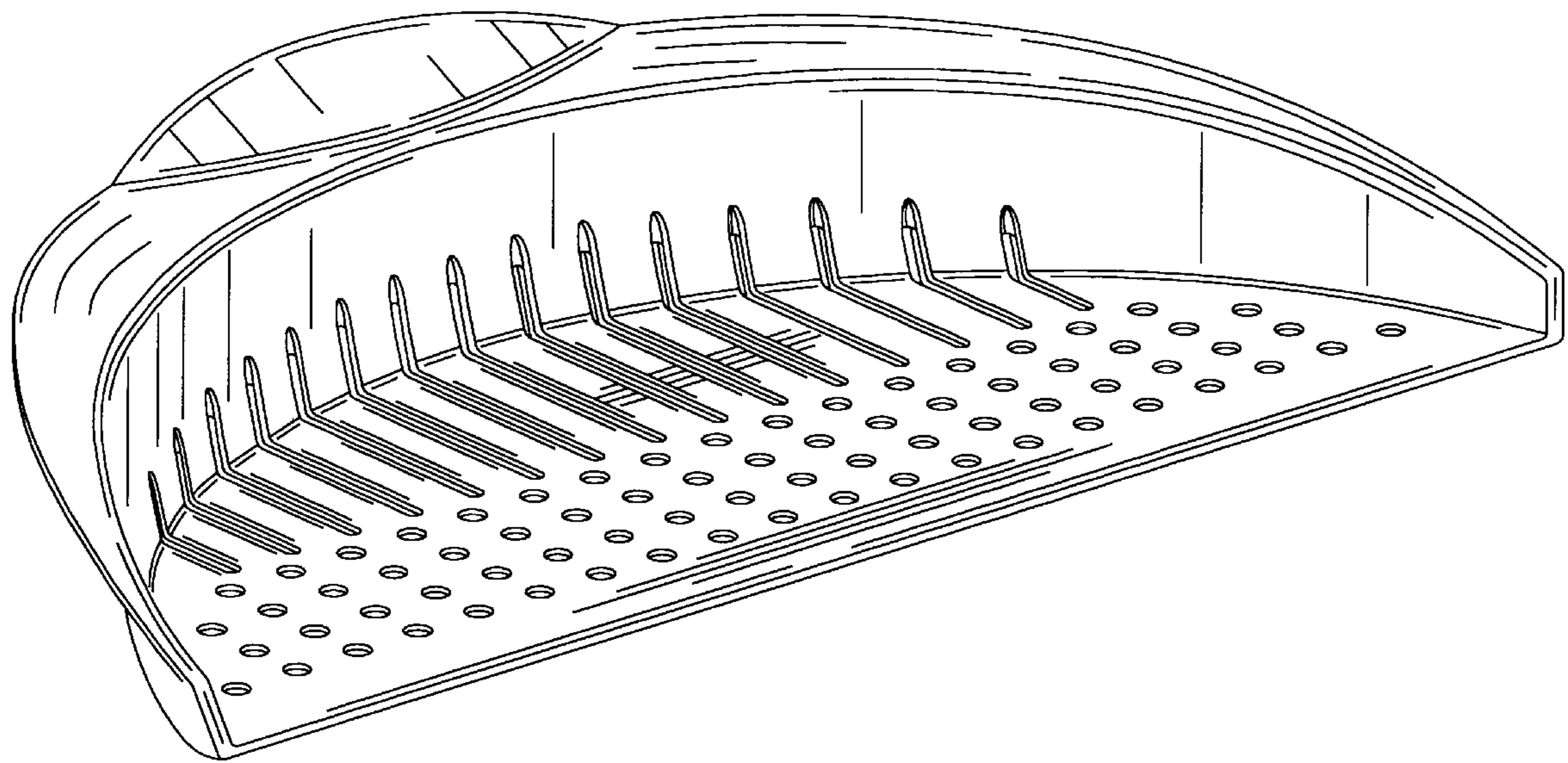
The ornamental design for a combined scoop and colander, as shown and described.

DESCRIPTION

FIG. 1 is a top, side and front perspective view of a combined scoop and colander showing the new design; FIG. 2 is a front elevation view thereof; FIG. 3 is a rear elevation view thereof; FIG. 4 is a right side elevation view thereof; FIG. 5 is a left side elevation view thereof; FIG. 6 is a top plan view thereof; and, FIG. 7 is a bottom plan view thereof.

- (56) **References Cited**
- U.S. PATENT DOCUMENTS**
- D179,912 S * 3/1957 Stanley D7/667
- D190,094 S * 4/1961 Marcus D7/667
- D192,644 S * 4/1962 Flabumm D7/667
- 3,200,954 A * 8/1965 Marcus 210/470
- 3,598,164 A 8/1971 August

1 Claim, 4 Drawing Sheets



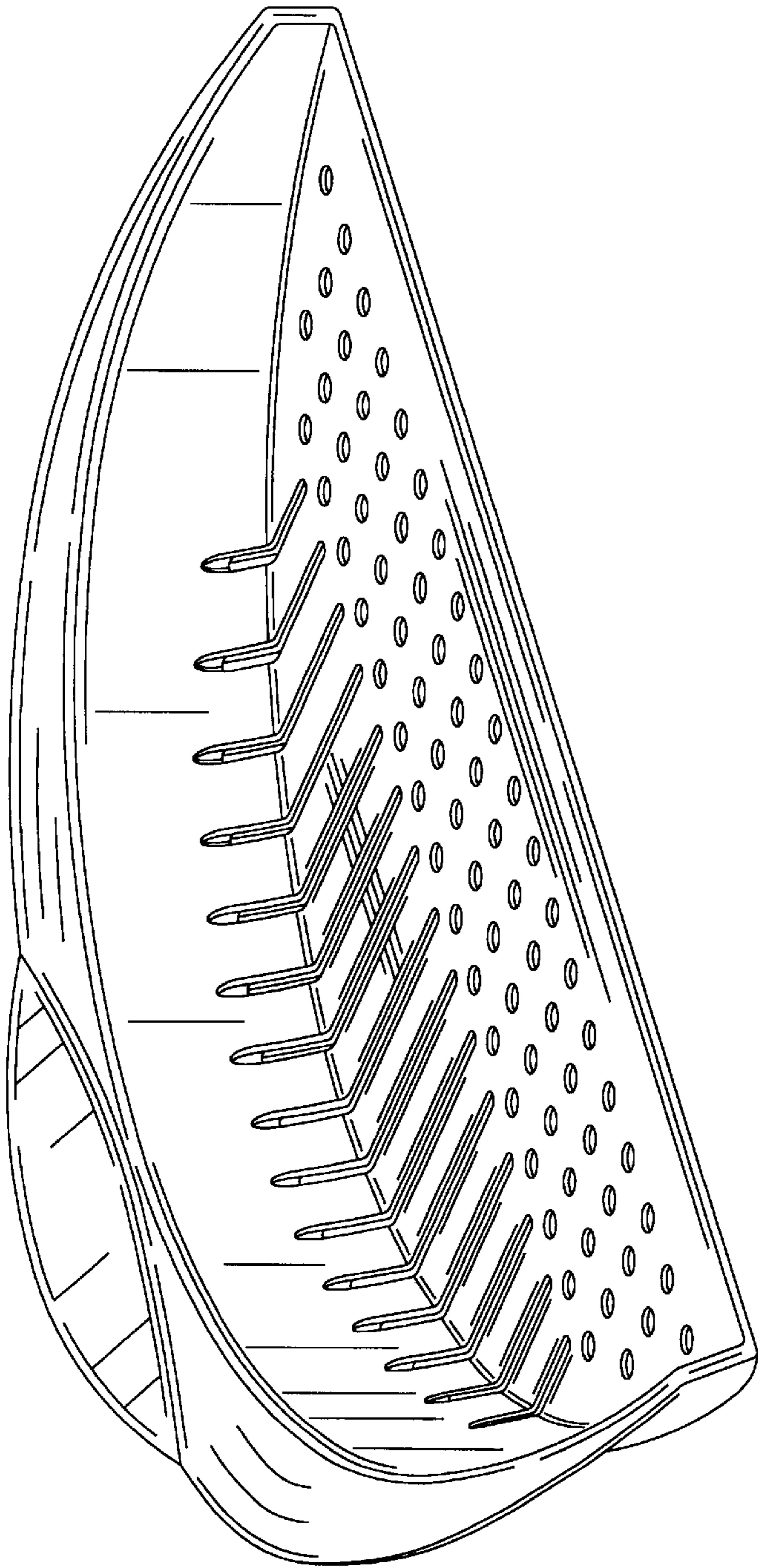


FIG. 1

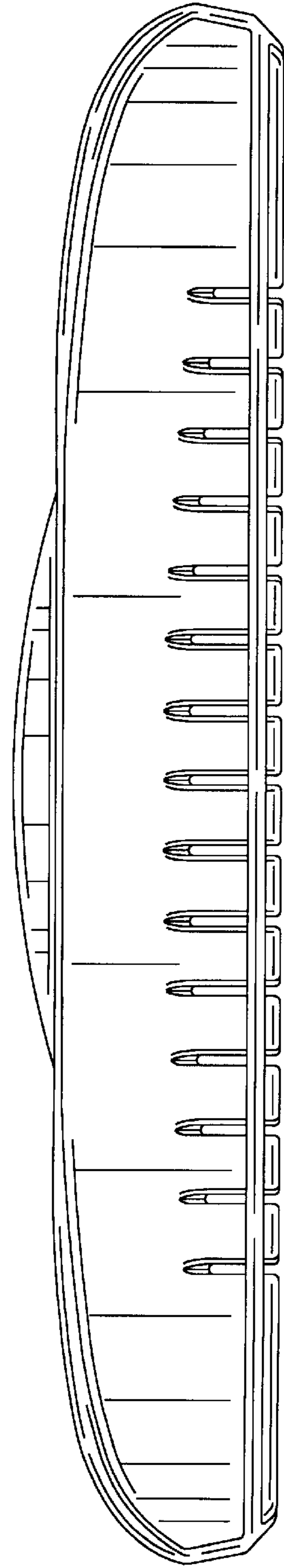


FIG. 2

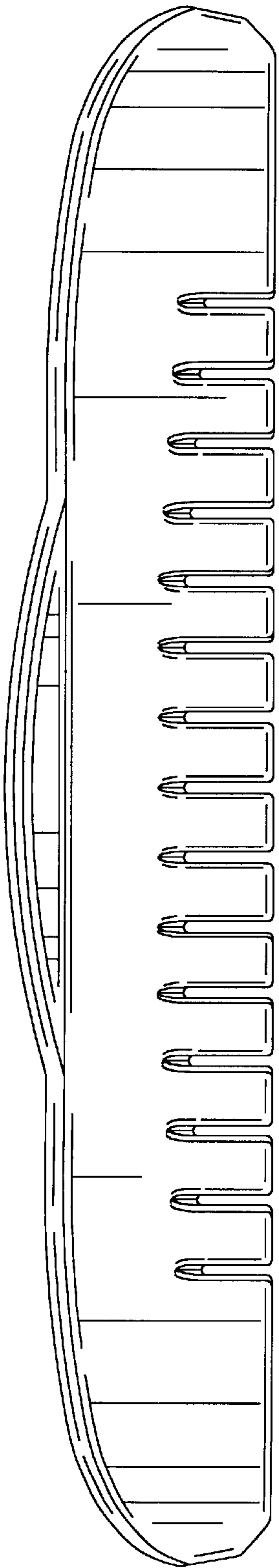


FIG. 3

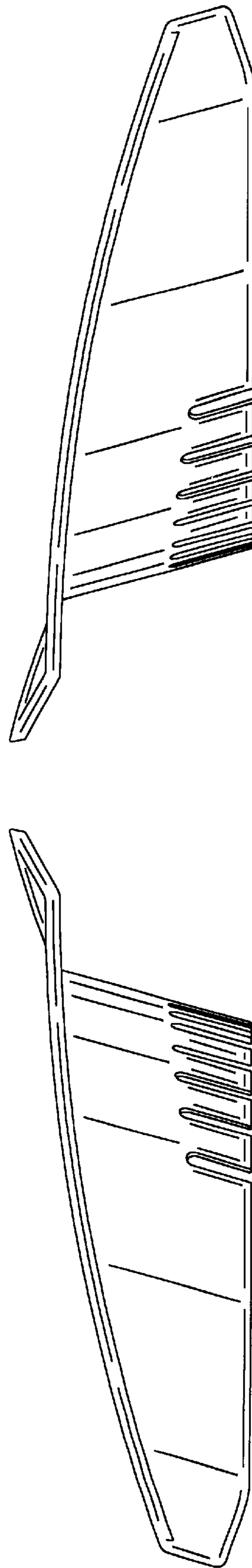


FIG. 5

FIG. 4

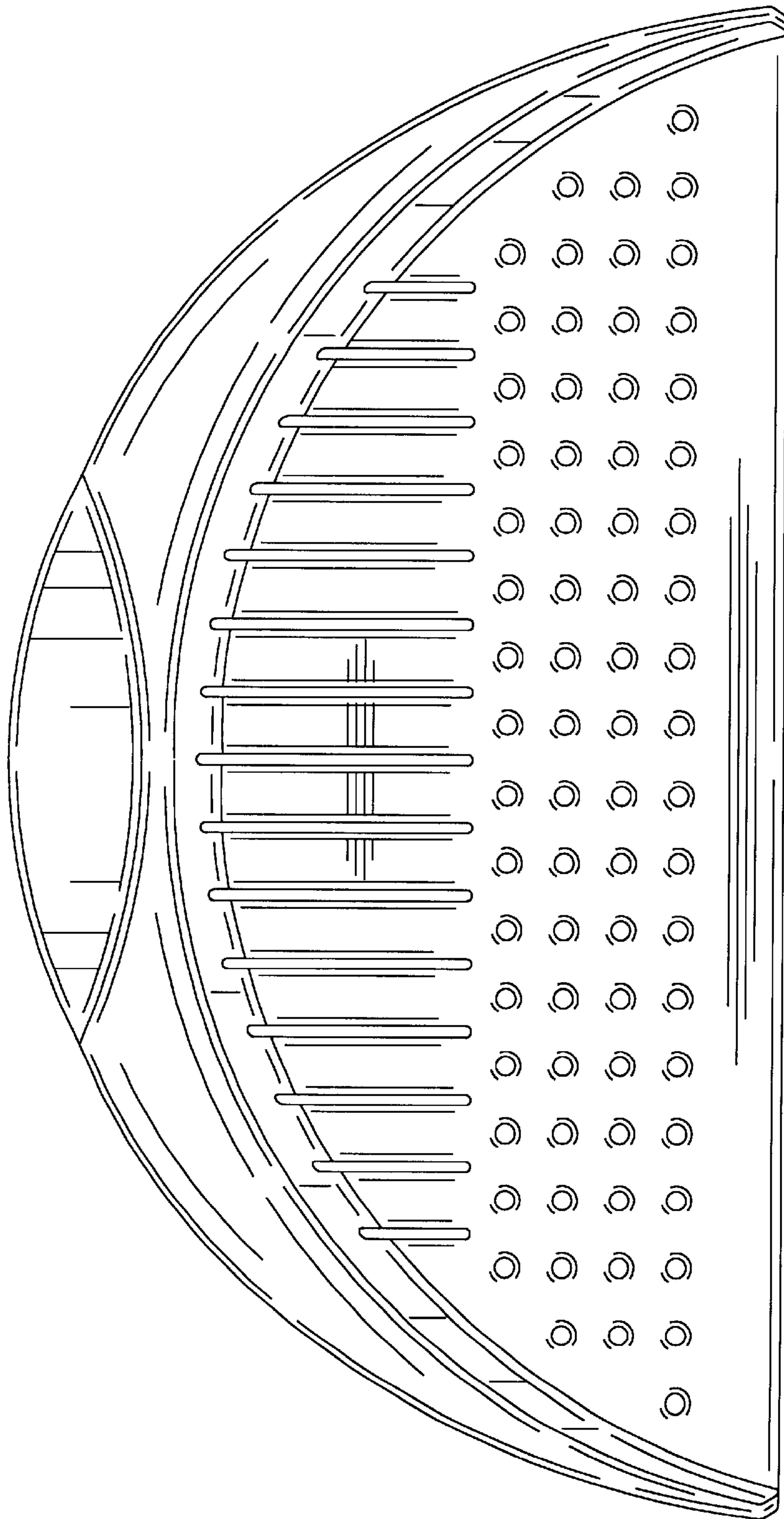


FIG. 6

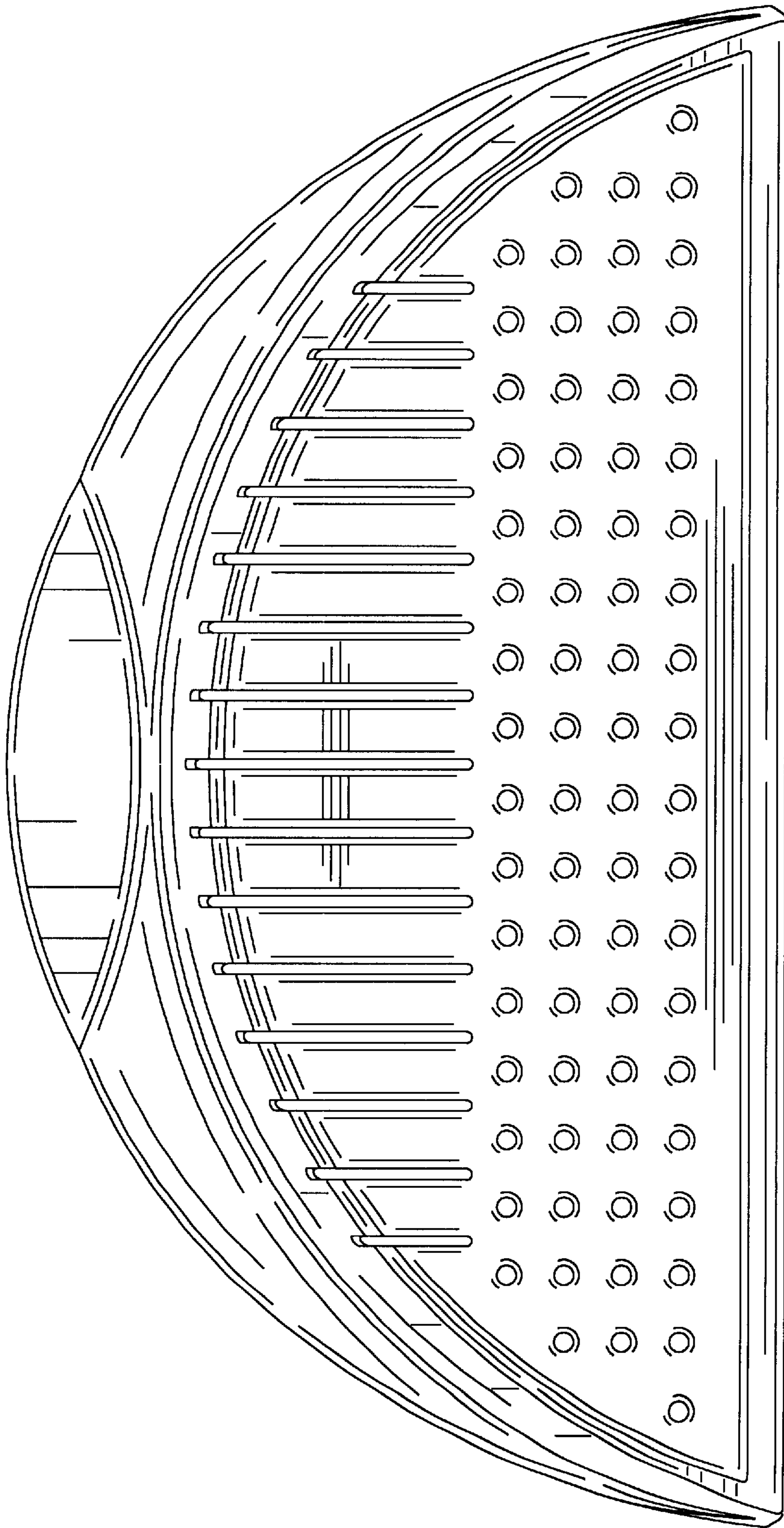


FIG. 7