



US00D458089S

(12) **United States Design Patent**  
**Huckaba**

(10) **Patent No.:** **US D458,089 S**

(45) **Date of Patent:** **\*\* Jun. 4, 2002**

(54) **COOKING IMPLEMENT**

(76) Inventor: **Harold L. Huckaba**, P.O. Box 454,  
Weatherford, OK (US) 73096

(\*\*) Term: **14 Years**

(21) Appl. No.: **29/140,858**

(22) Filed: **Apr. 27, 2001**

(51) **LOC (7) Cl.** ..... **07-02**

(52) **U.S. Cl.** ..... **D7/683**

(58) **Field of Search** ..... D7/682-696; 30/322,  
30/323, 123, 142; 294/5, 26, 50, 55.5, 61;  
99/419, 441, 421 A

(56) **References Cited**

**U.S. PATENT DOCUMENTS**

- 3,162,475 A \* 12/1964 Van Allen ..... 294/26
- 3,706,154 A 12/1972 Luebbers et al.
- D253,989 S \* 1/1980 Rhoades ..... D7/683
- D268,561 S \* 4/1983 Risser ..... D7/683

- D310,554 S 9/1990 Smith
- 4,964,192 A \* 10/1990 Marui ..... 16/DIG. 12
- D356,409 S \* 3/1995 Kanaskie ..... D8/107 X

\* cited by examiner

*Primary Examiner*—Terry A. Wallace

(74) *Attorney, Agent, or Firm*—Stephen R. Greiner

(57) **CLAIM**

The ornamental design for a cooking implement, as shown and described.

**DESCRIPTION**

FIG. 1 is a perspective view of a cooking implement showing my new design;

FIG. 2 is a front elevational view thereof;

FIG. 3 is a top view thereof;

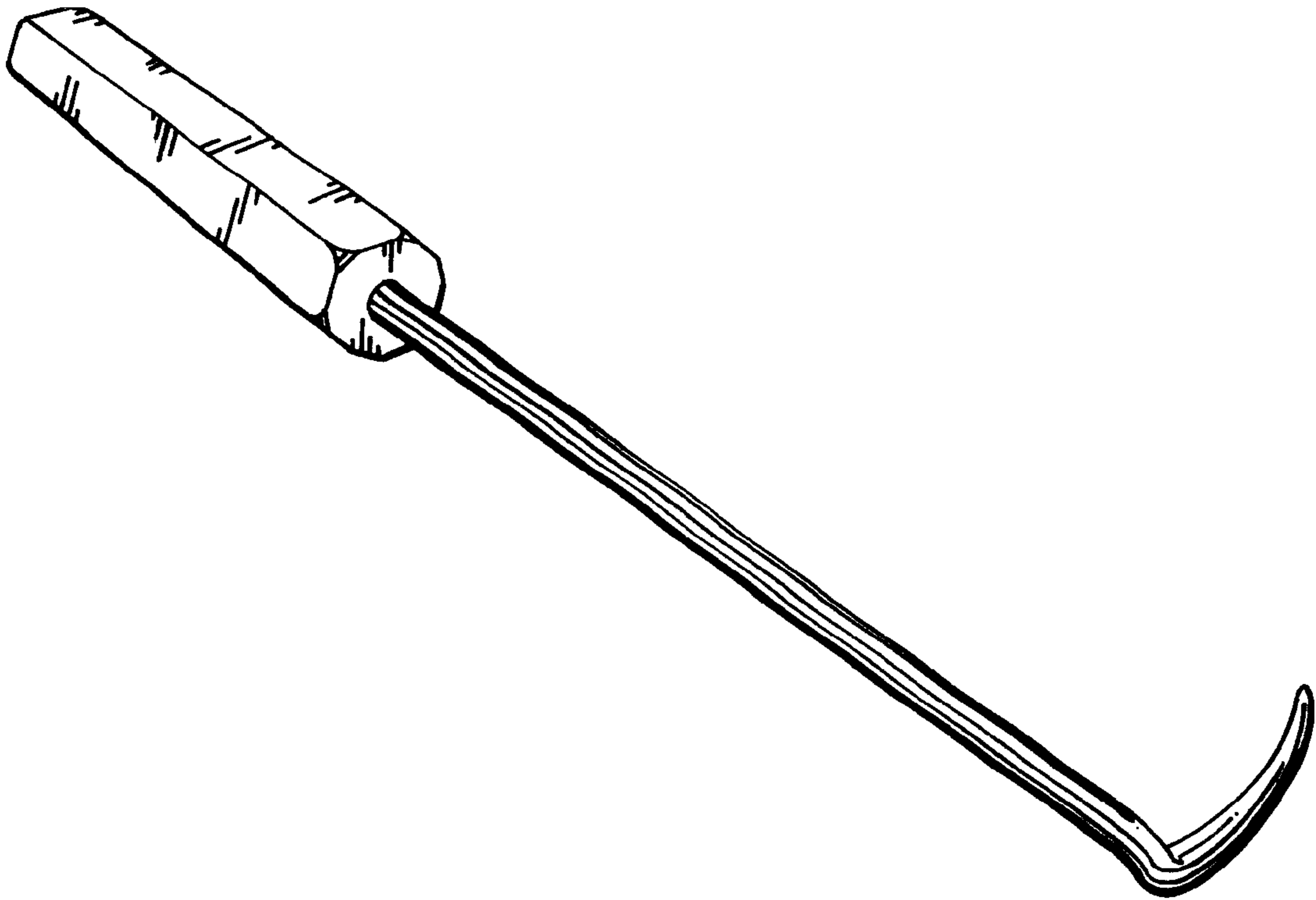
FIG. 4 is a right side elevational view thereof;

FIG. 5 is a left side elevational view thereof;

FIG. 6 is a bottom view thereof; and,

FIG. 7 is a rear elevational view thereof.

**1 Claim, 2 Drawing Sheets**



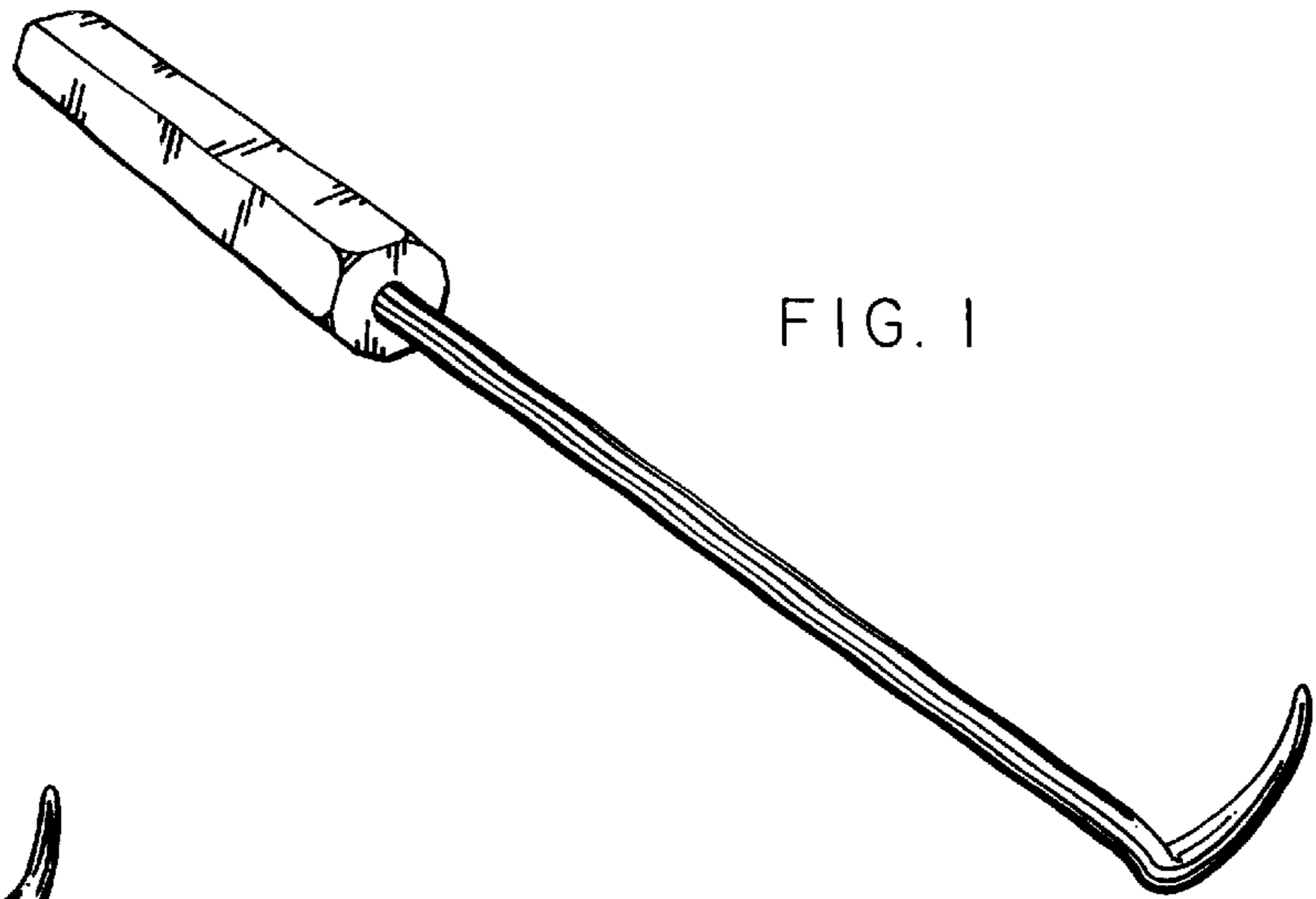


FIG. 1

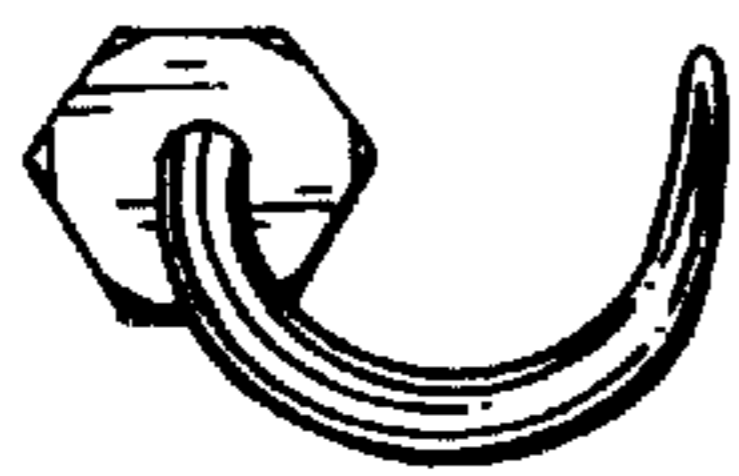


FIG. 2



FIG. 3

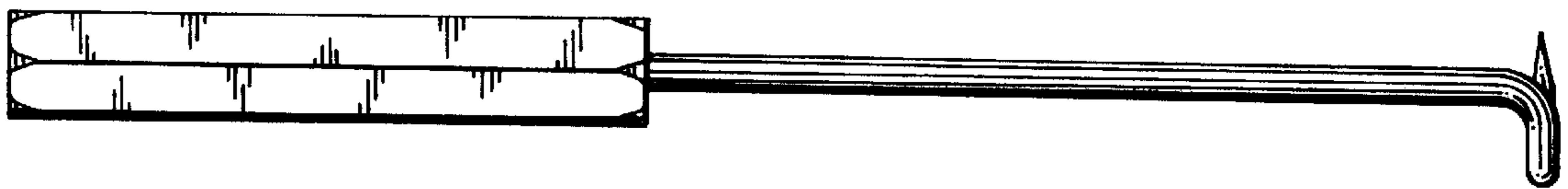


FIG. 4



FIG. 5

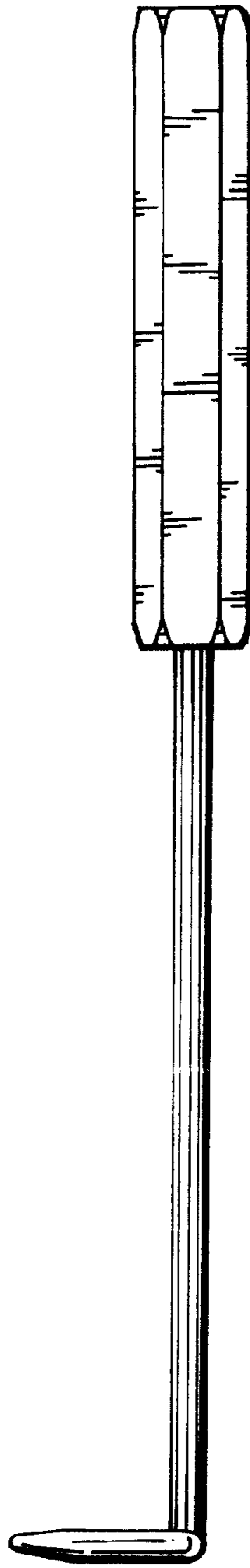


FIG. 6

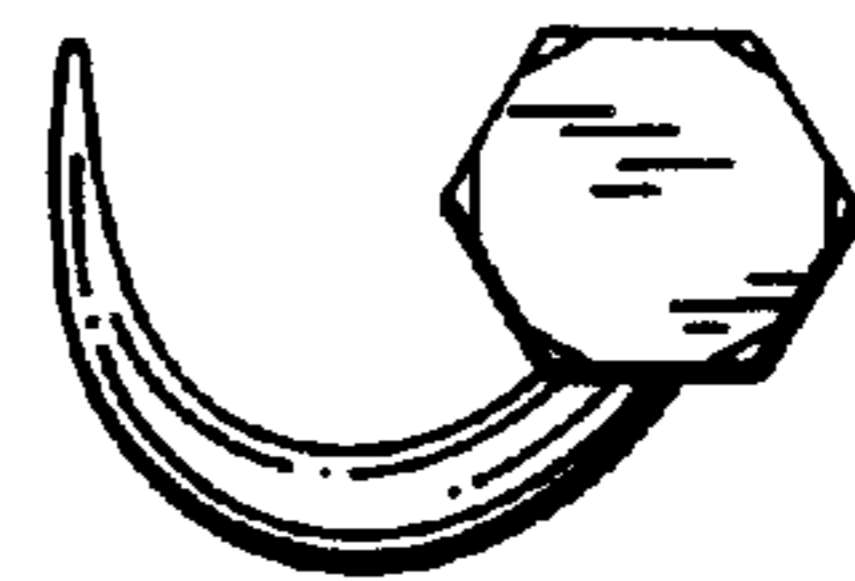


FIG. 7