



US00D458088S

(12) **United States Design Patent**  
**O'Flynn et al.**

(10) **Patent No.:** **US D458,088 S**  
(45) **Date of Patent:** **\*\* Jun. 4, 2002**

- (54) **PART OF A JUICER**
- (75) Inventors: **Brian J. O'Flynn; Brian R. Sullivan,**  
both of Richmond, VA (US)
- (73) Assignee: **Hamilton Beach/Proctor-Silex, Inc.,**  
Glen Allen, VA (US)
- (\*\*) Term: **14 Years**

- 4,706,559 A 11/1987 De Zarate
- 4,941,403 A 7/1990 Cimenti
- D311,842 S 11/1990 Ogvist et al.
- 5,035,174 A 7/1991 Seal, Jr.
- D371,055 S 6/1996 Fouquet
- 5,551,335 A 9/1996 McClean
- D431,973 S 10/2000 O'Flynn et al.
- D442,032 S 5/2001 O'Flynn et al.

**FOREIGN PATENT DOCUMENTS**

FR 1164016 10/1958

*Primary Examiner*—Terry A. Wallace  
(74) *Attorney, Agent, or Firm*—Roger S. Dybvig

- (21) Appl. No.: **29/139,329**
- (22) Filed: **Mar. 28, 2001**
- (51) **LOC (7) Cl.** ..... **31-00**
- (52) **U.S. Cl.** ..... **D7/666**
- (58) **Field of Search** ..... D7/665, 666, 372-374,  
D7/381, 384; 99/495, 501-508; 100/110,  
125, 131-135, 213, 283

(57) **CLAIM**

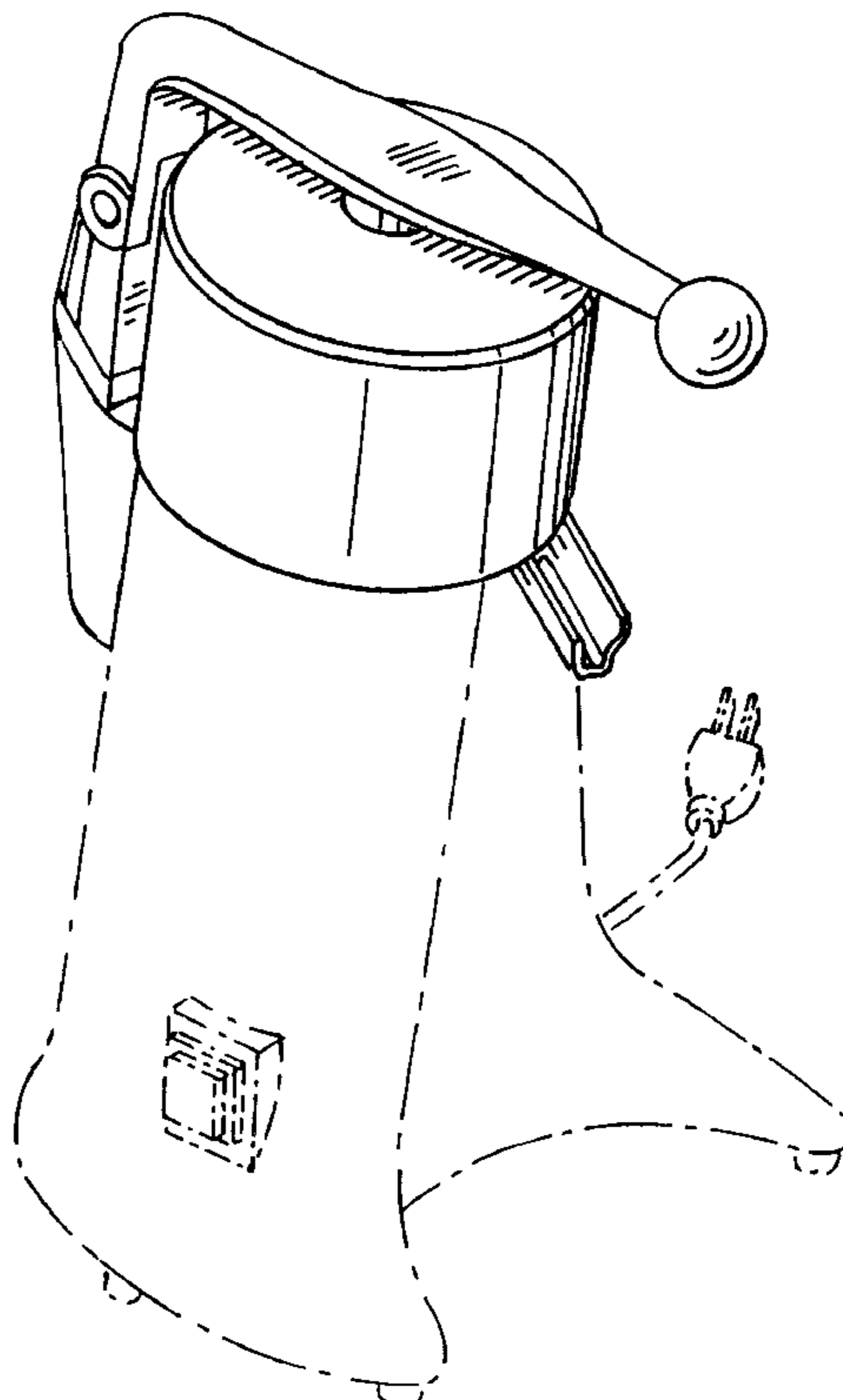
The ornamental design for part of a juicer, as shown and described.

**DESCRIPTION**

FIG. 1 is a top, front, left side perspective view of a part of a juicer showing our new design, the broken lines are for illustrative purposes only and form no part of the claimed design;  
FIG. 2 is a front elevational view thereof;  
FIG. 3 is a top plan view thereof;  
FIG. 4 is a left side elevational view thereof;  
FIG. 5 is a right side elevational view thereof;  
FIG. 6 is a rear elevational view thereof; and,  
FIG. 7 is a bottom plan view thereof.

- (56) **References Cited**
- U.S. PATENT DOCUMENTS**
- 1,412,996 A 4/1922 Blessing
- 1,757,326 A 5/1930 Miller
- D84,066 S 4/1931 Orfanon
- 1,955,975 A 4/1934 Puterbaugh
- 1,995,670 A 3/1935 Crowe
- 2,026,918 A 1/1936 Streckfuss
- 2,160,388 A 5/1939 Morse
- 2,215,994 A 9/1940 Bean
- 2,249,817 A 7/1941 Fromm
- 2,315,018 A 3/1943 Lawrence
- D151,822 S 11/1948 Hammers

**1 Claim, 2 Drawing Sheets**



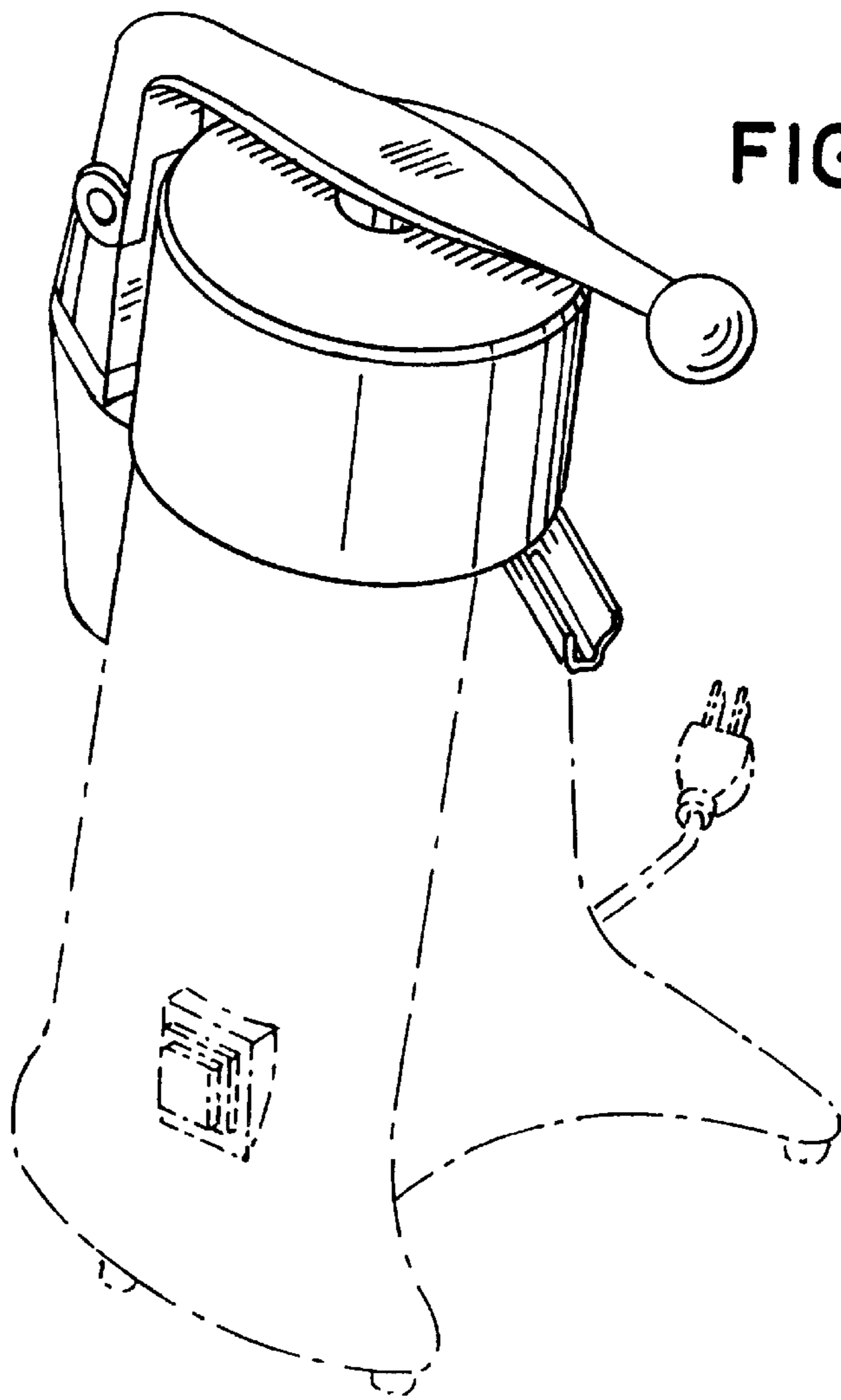


FIG-1

FIG-2

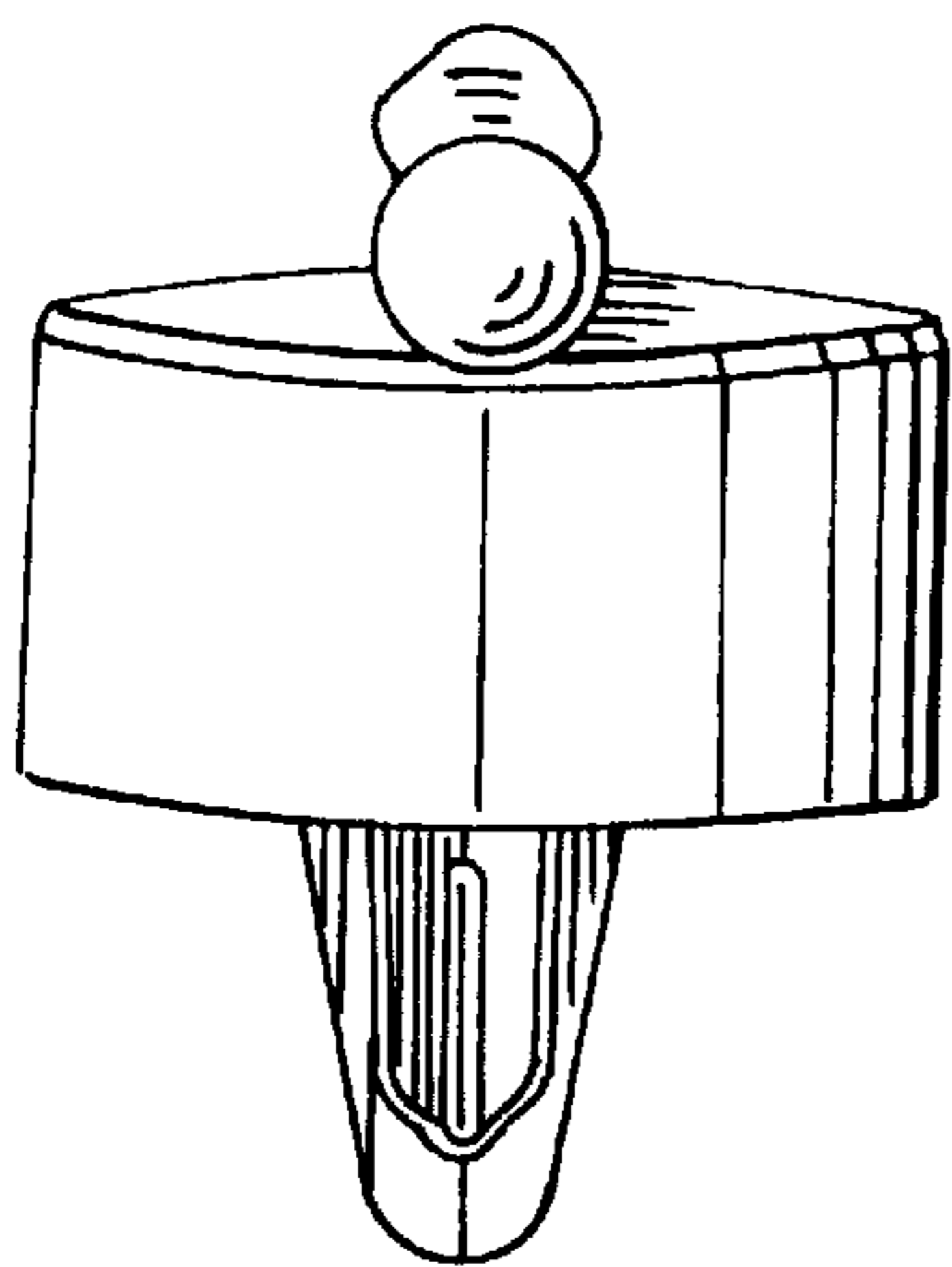


FIG-3

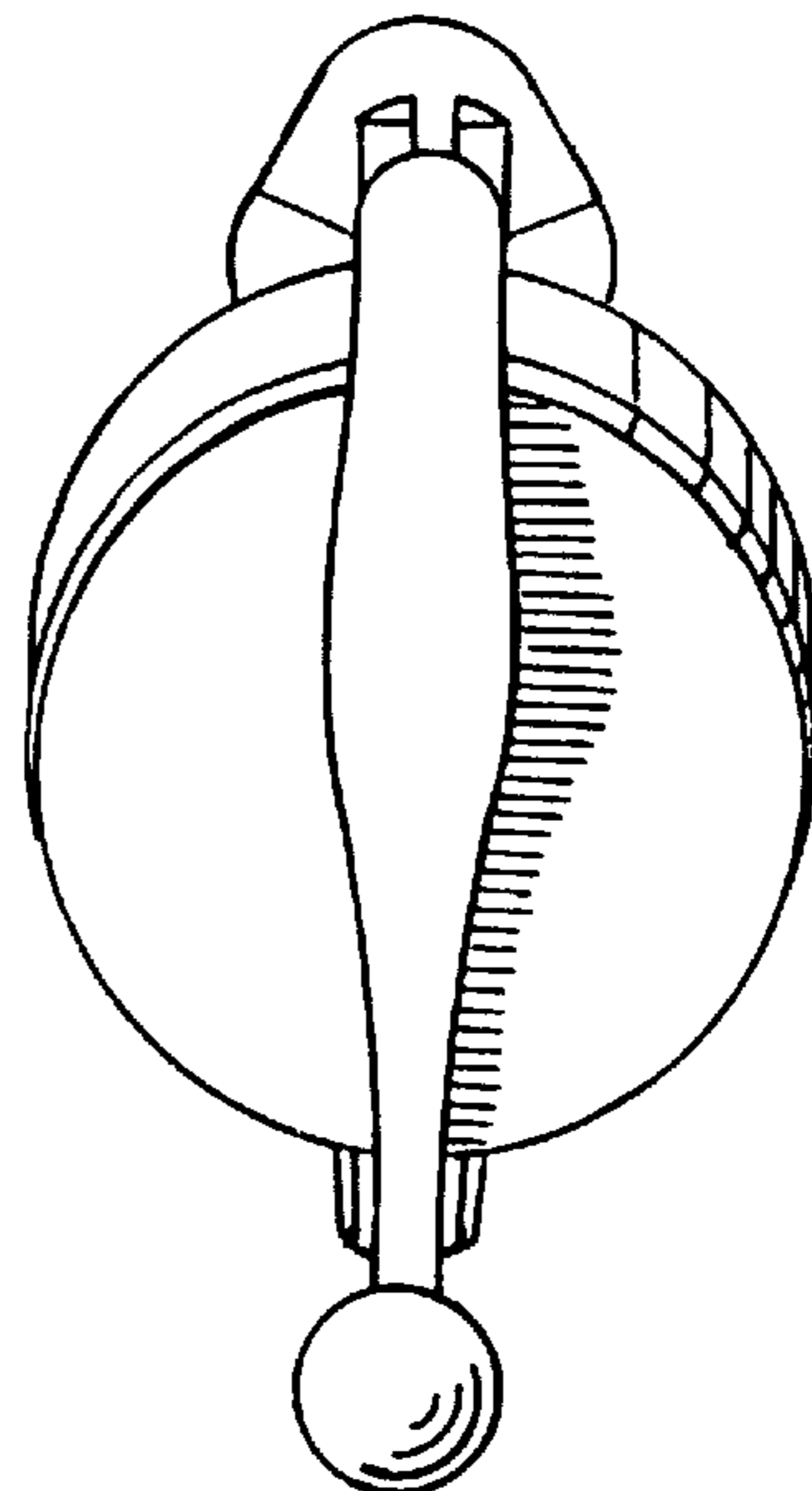


FIG-4

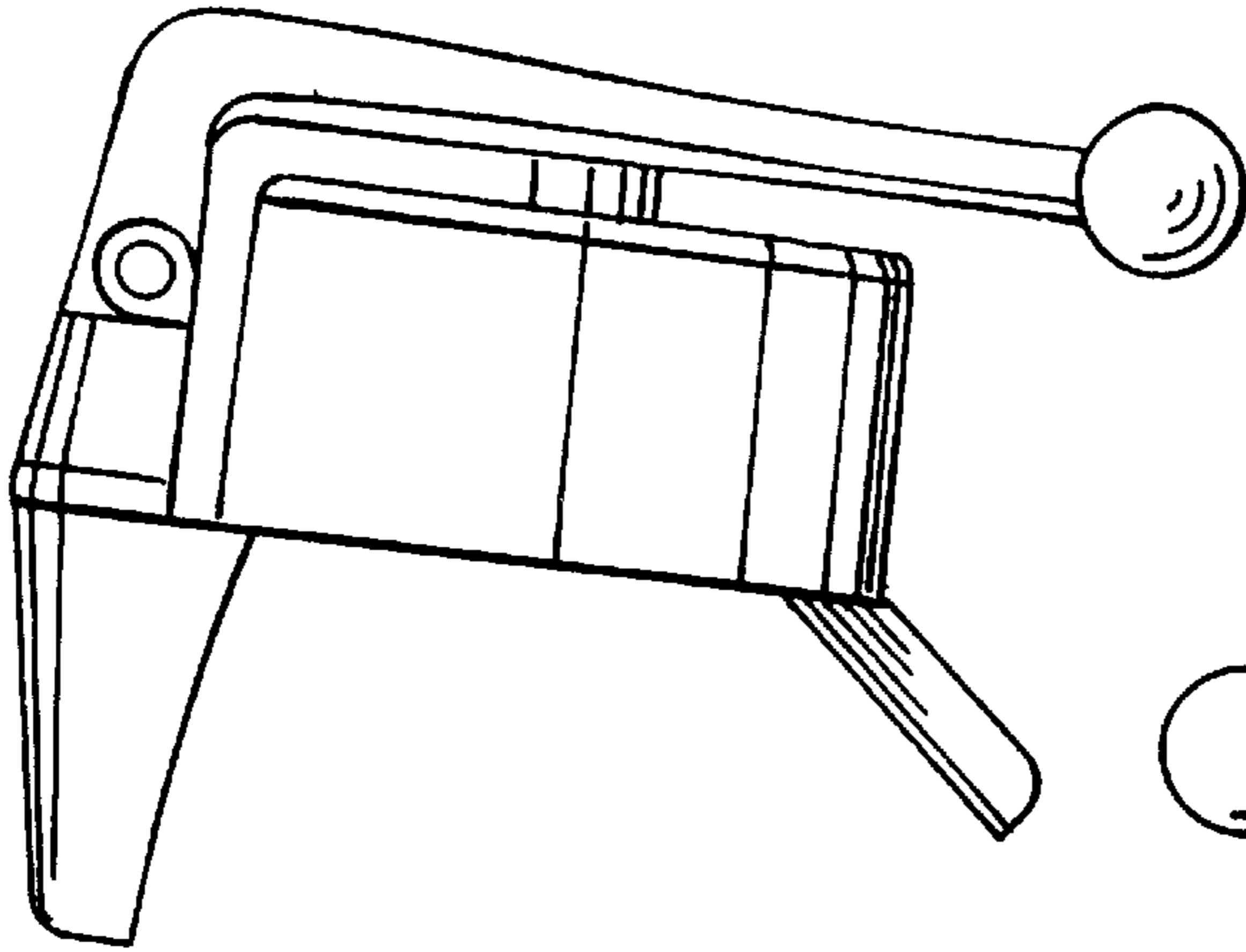


FIG-5

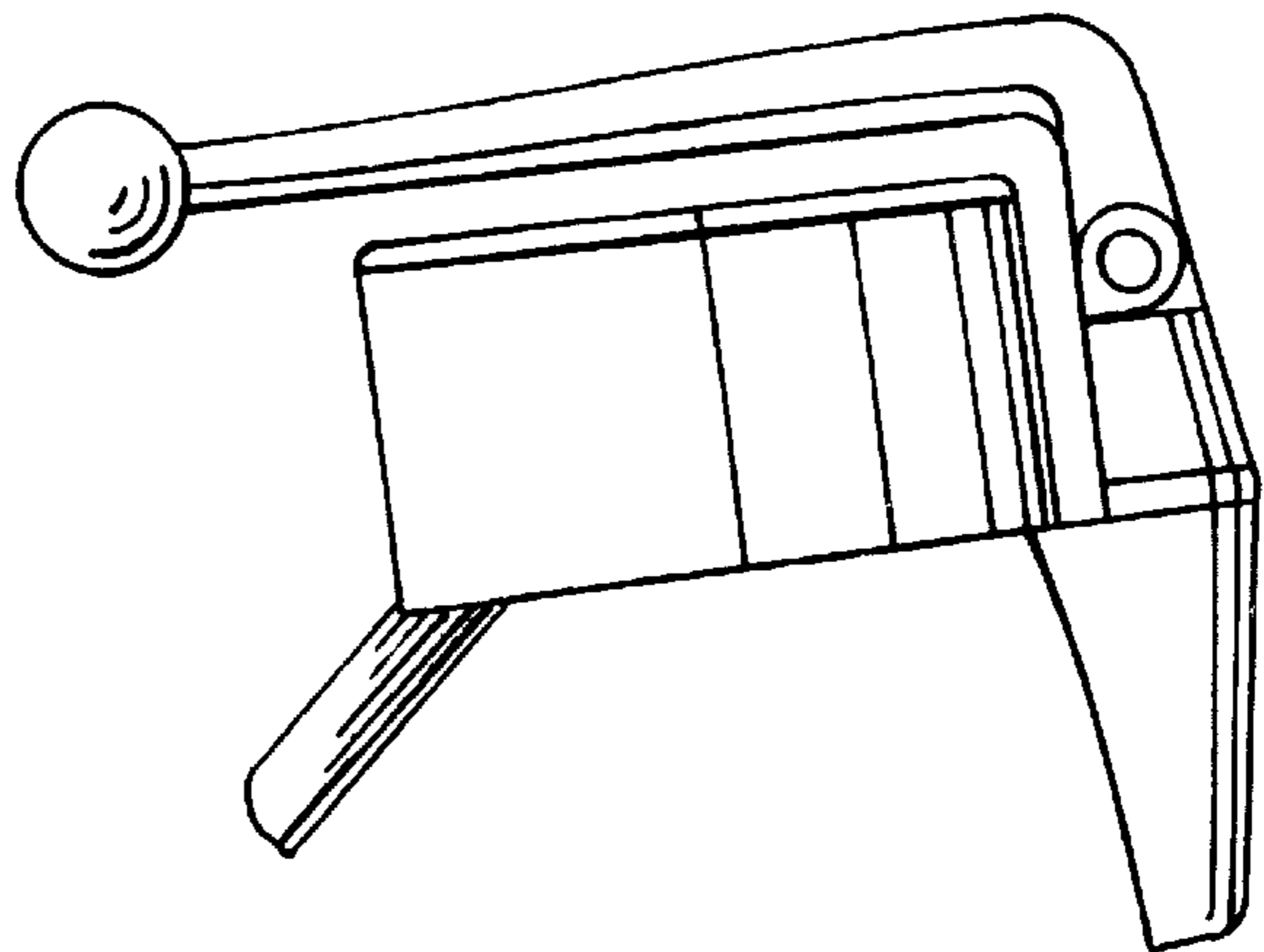


FIG-6

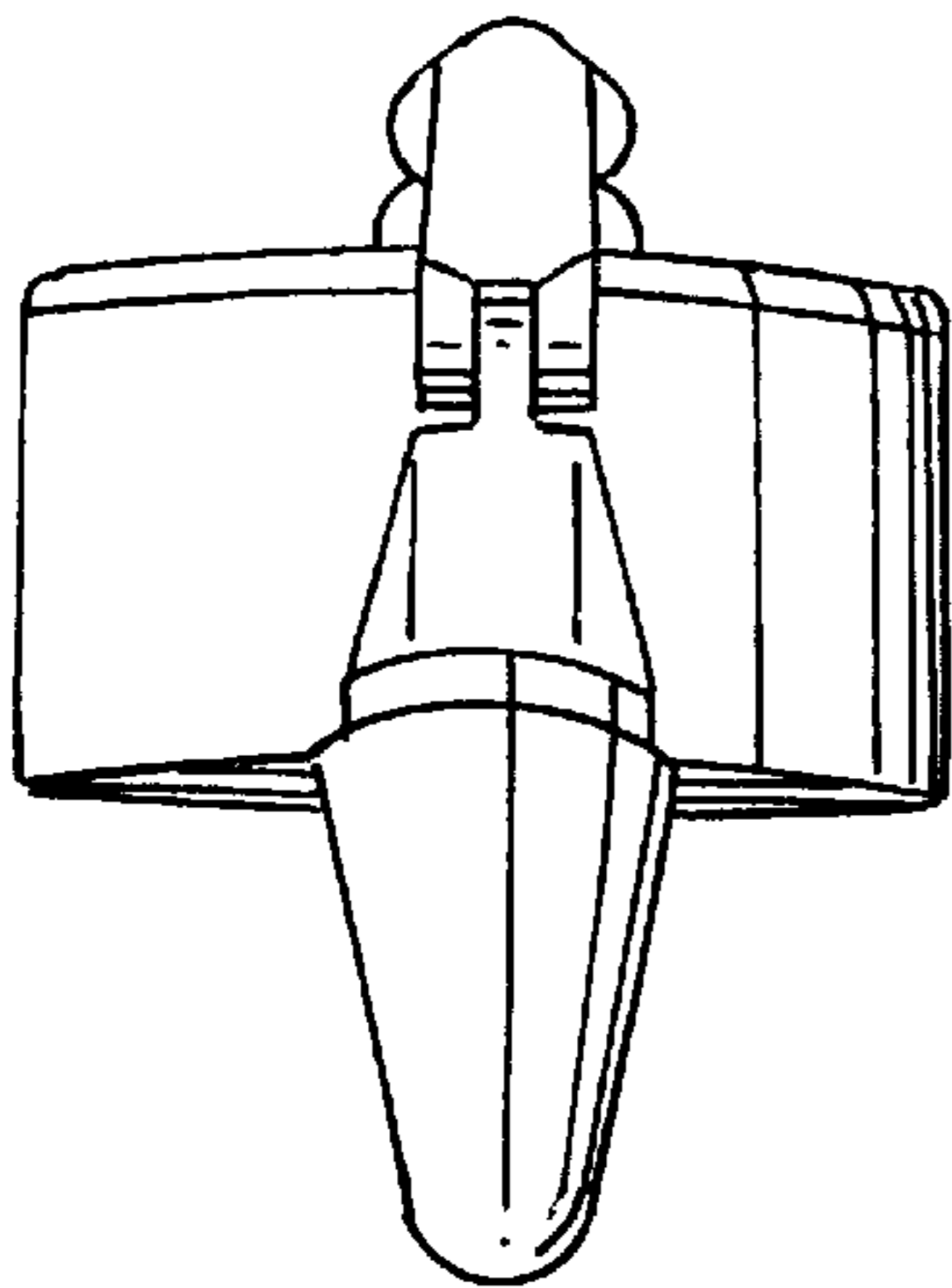


FIG-7

