



US00D458086S

(12) **United States Design Patent**
Marks et al.

(10) **Patent No.:** **US D458,086 S**

(45) **Date of Patent:** **** Jun. 4, 2002**

(54) **SELF-CONTAINED WARMING AND COOLING VESSEL**

(76) Inventors: **Michael Howard Marks; Arlene Joan Marks**, both of 90 Birchwood Ter., Wayne, NJ (US) 07470

(**) Term: **14 Years**

(21) Appl. No.: **29/122,538**

(22) Filed: **May 1, 2000**

(51) **LOC (7) Cl.** **07-01**

(52) **U.S. Cl.** **D7/605**

(58) **Field of Search** D7/605, 608; D15/80, D15/89, 90; 62/457.1-457.7, 1, 66; 215/12.1, 12.2, 13.1, 6; 220/592.16

(56) **References Cited**

U.S. PATENT DOCUMENTS

1,519,034 A * 12/1924 Livingston 215/12.1
4,402,195 A * 9/1983 Campbell 62/457.3

4,410,085 A * 10/1983 Beneziat et al. 215/6 X
5,189,892 A * 3/1993 Roberts 62/457.1
5,487,486 A * 1/1996 Meneo 215/6 X

* cited by examiner

Primary Examiner—Terry A. Wallace

(74) *Attorney, Agent, or Firm*—Lawrence G. Fridman

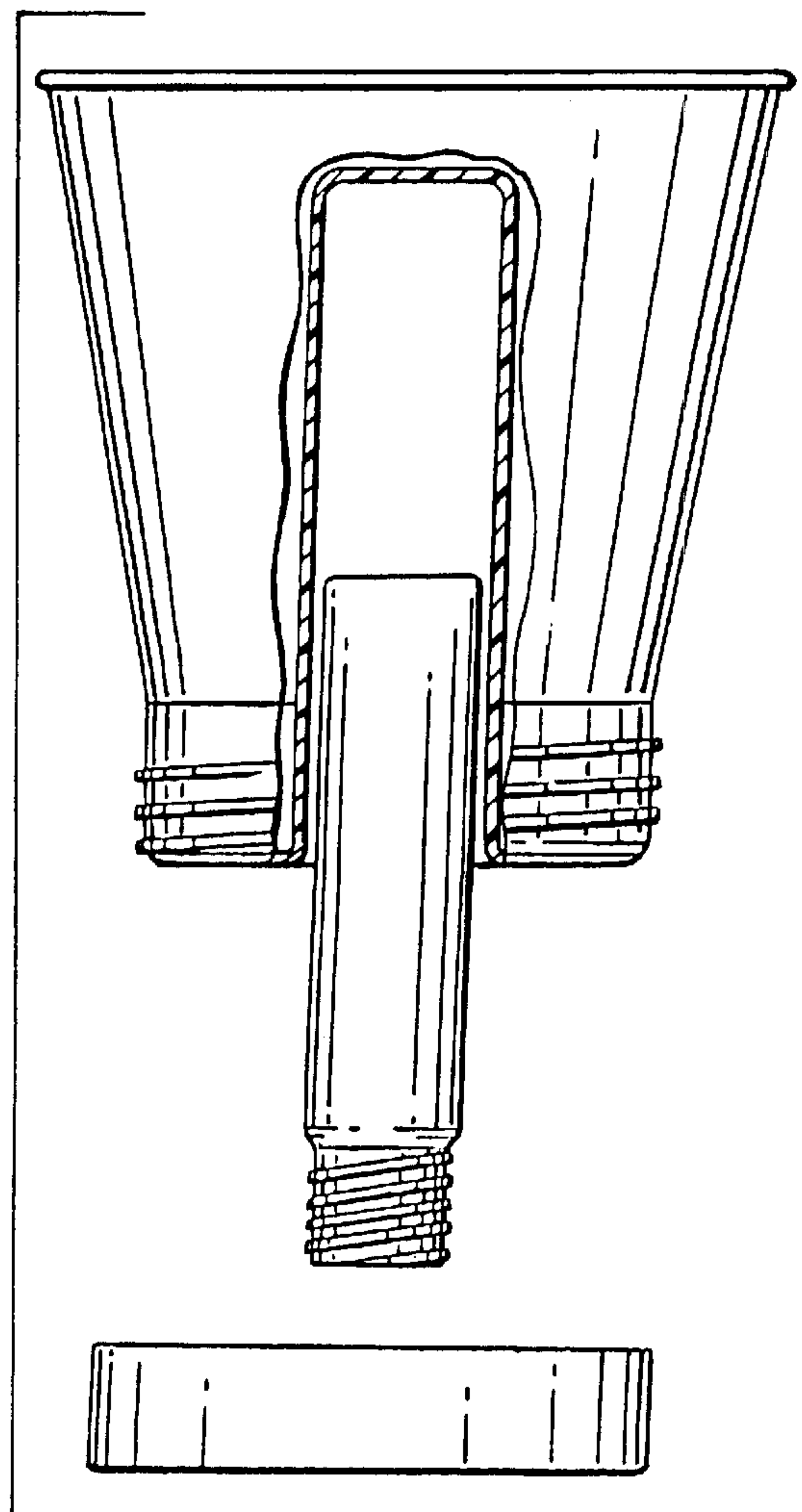
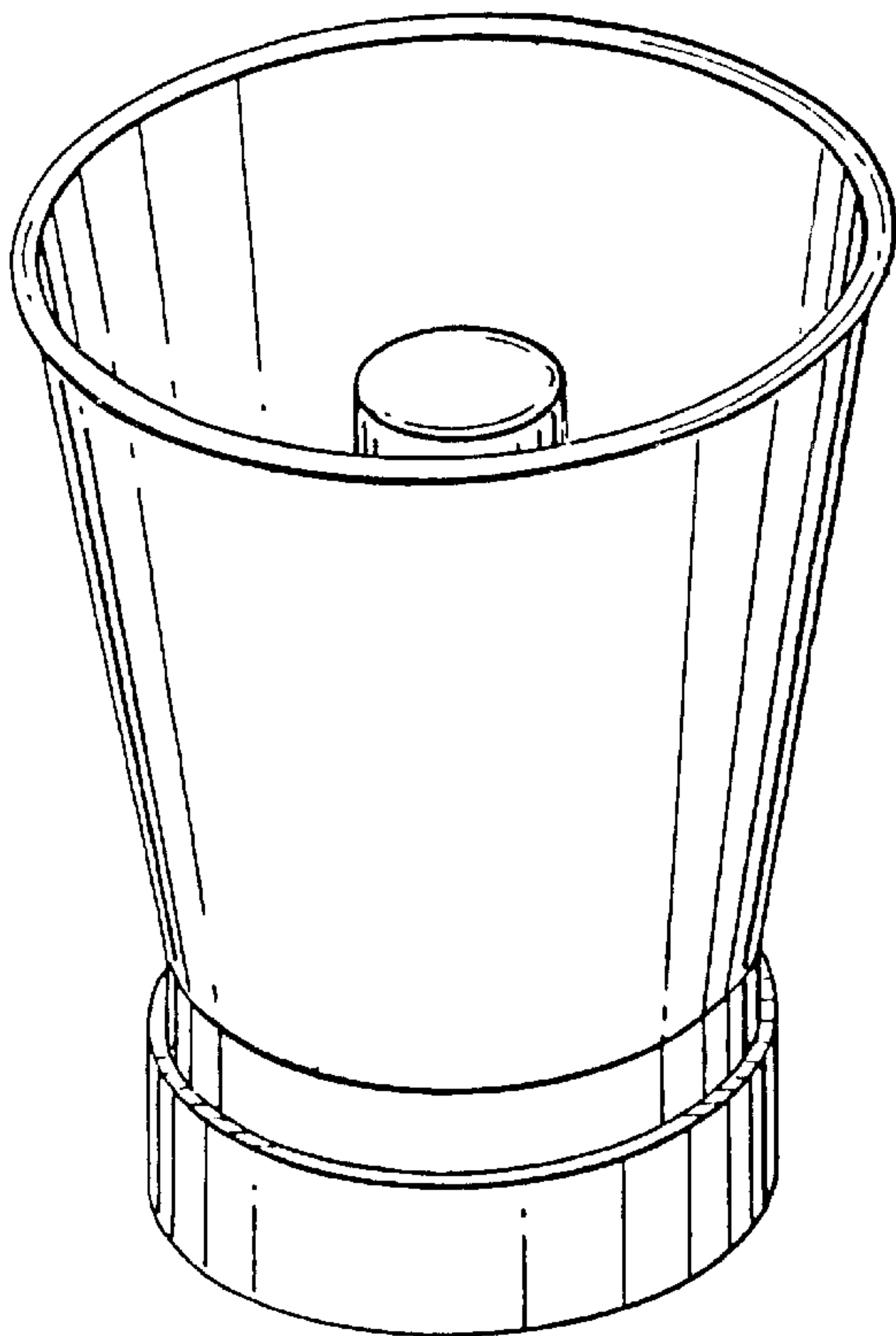
(57) **CLAIM**

The ornamental design for self-contained warming and cooling vessel, as shown and described.

DESCRIPTION

FIG. 1 is a perspective view of the self-contained warming and cooling vessel;
FIG. 2 is a front elevational view thereof;
FIG. 3 is an exploded view thereof;
FIG. 4 is a top plan view thereof;
FIG. 5 is a bottom plan view thereof; and,
FIG. 6 is a top plan view of the lower member shown in FIG. 3.

1 Claim, 2 Drawing Sheets



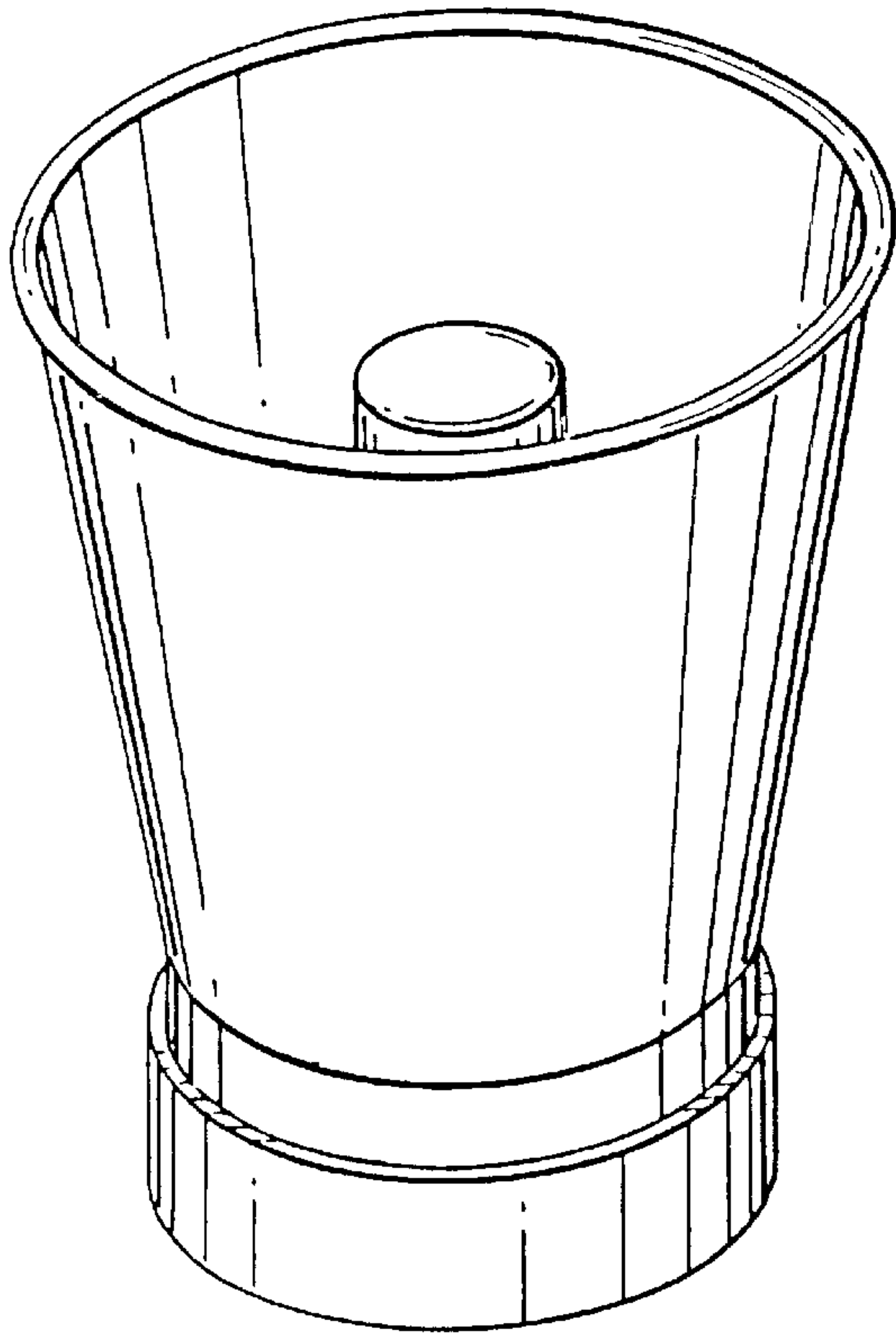


FIG. 1

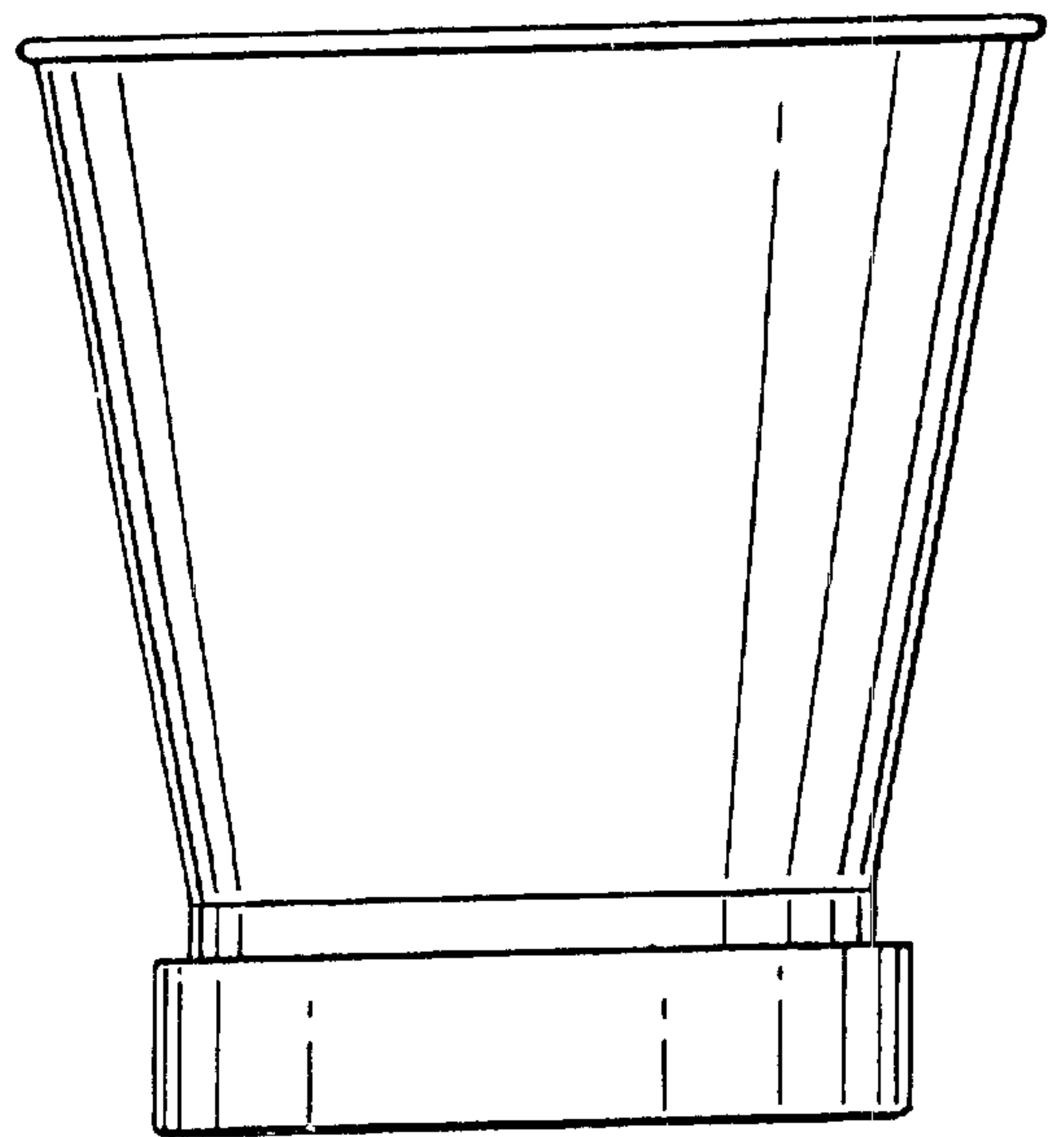


FIG. 2

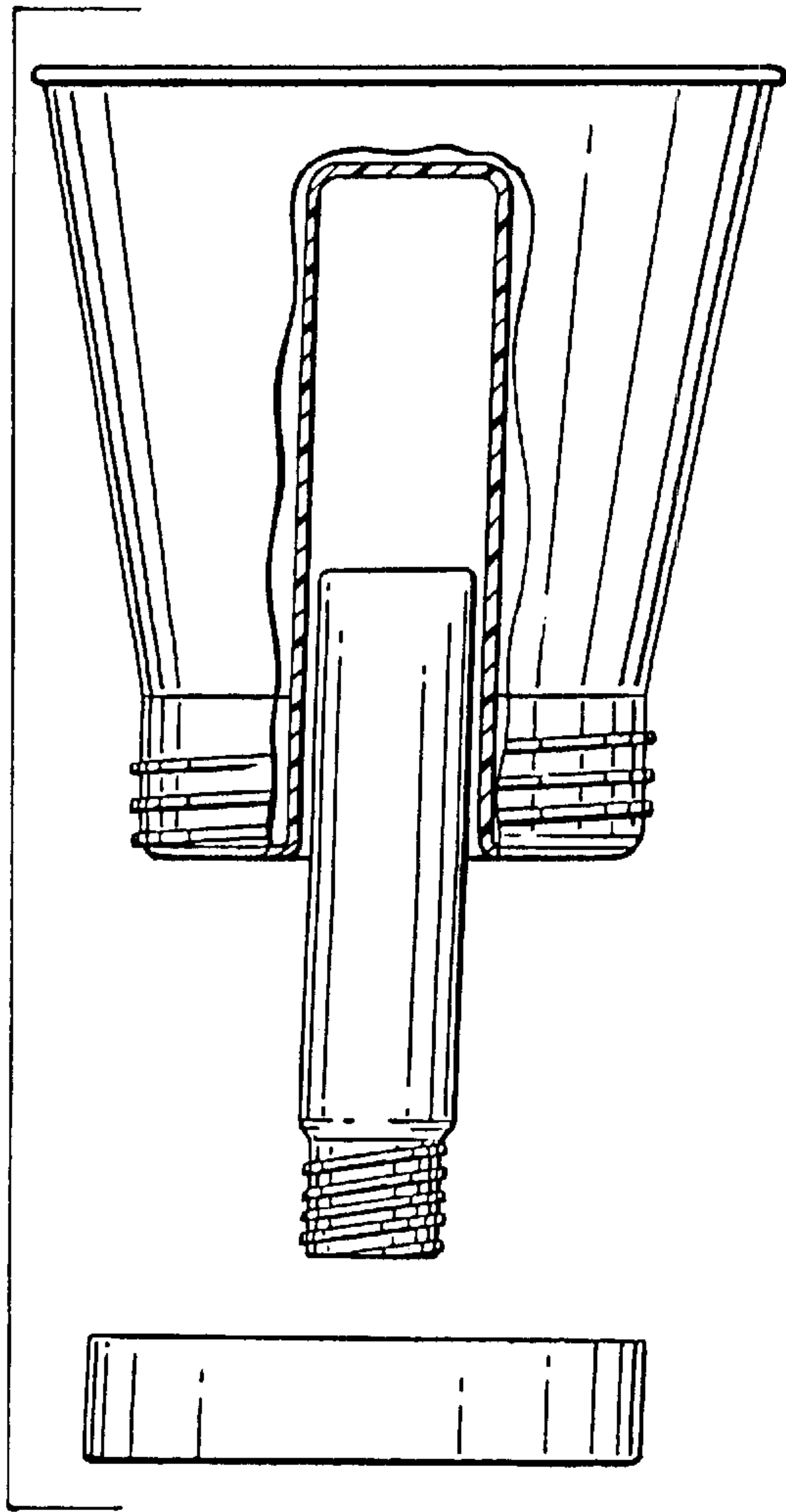


FIG. 3

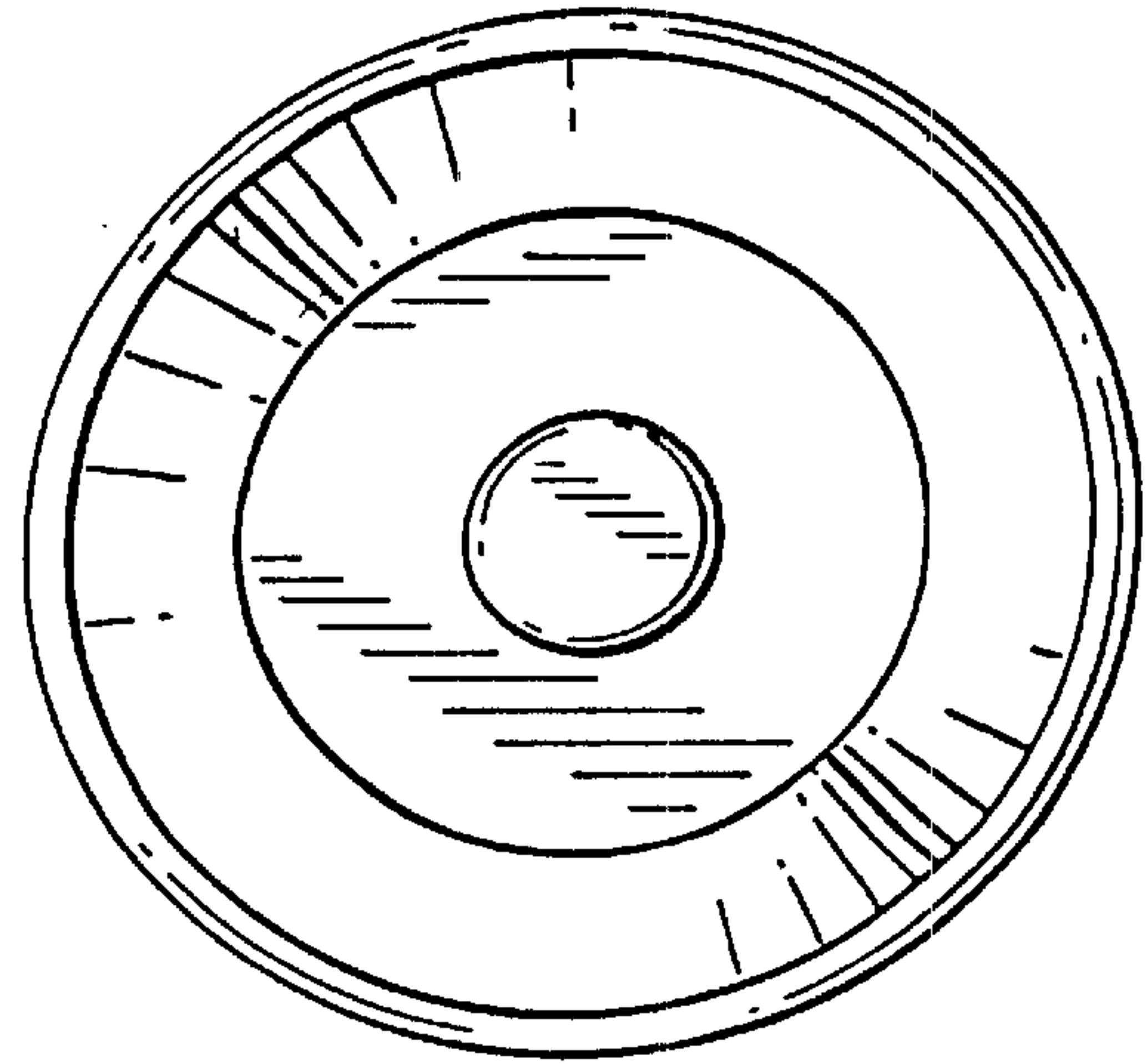


FIG. 4

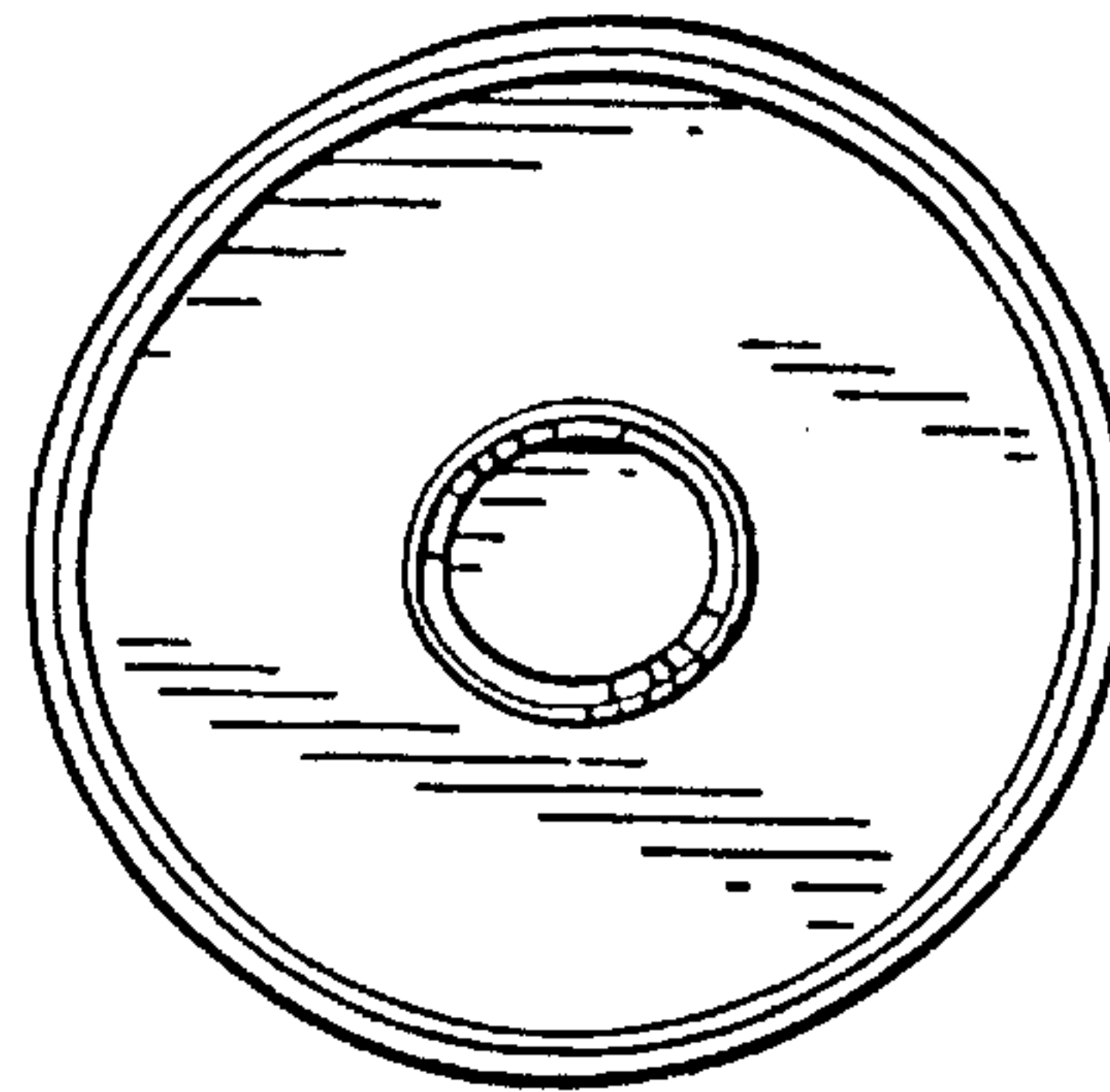


FIG. 6

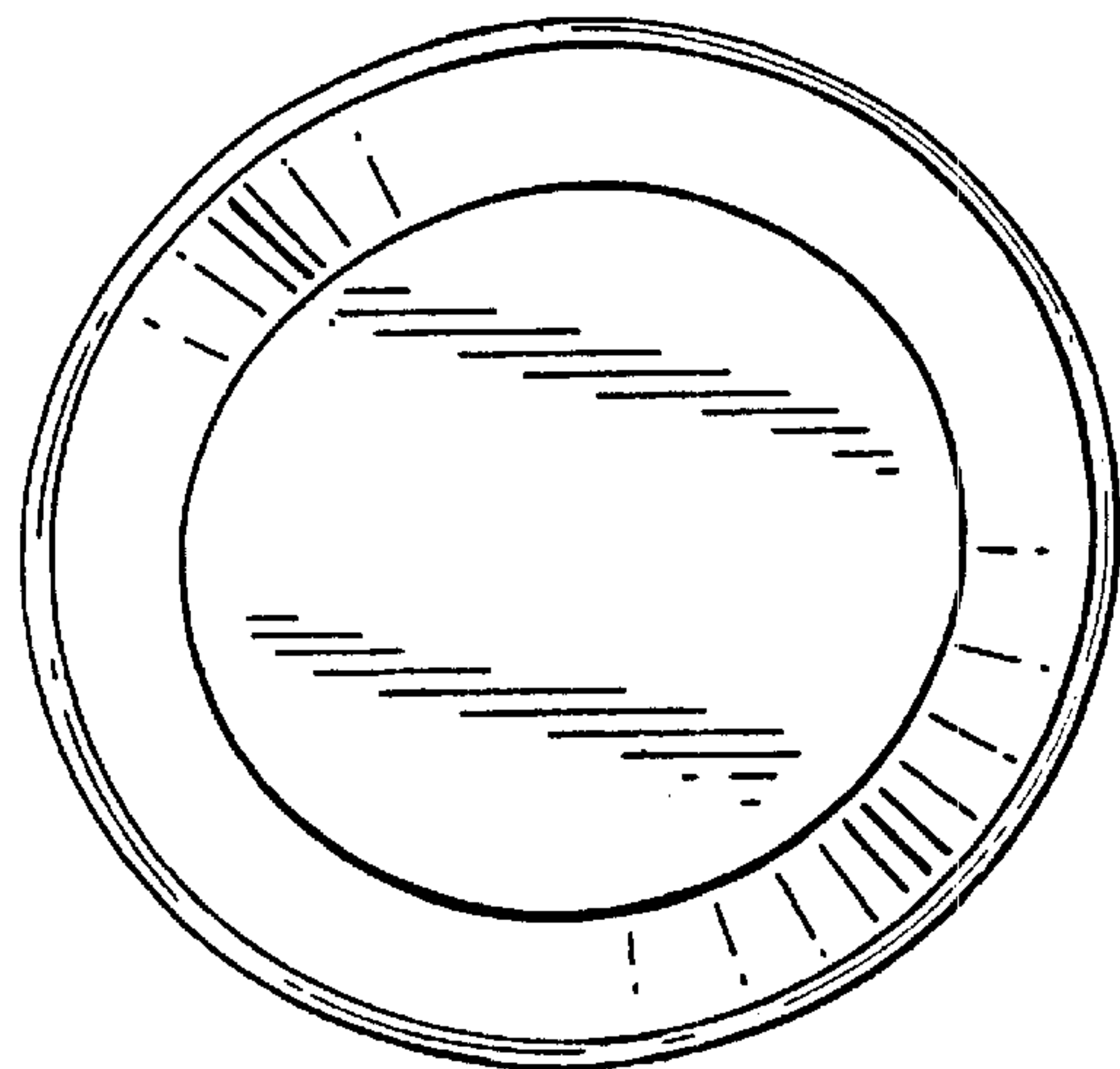


FIG. 5