



US00D458078S

(12) **United States Design Patent**
Lin

(10) **Patent No.:** **US D458,078 S**

(45) **Date of Patent:** **** Jun. 4, 2002**

(54) **INDOOR GRILL WITH FILTER**

(76) Inventor: **Yu-Yuan Lin**, 72-1, Shin-Lo Road,
Tainan (TW), 702

(**) Term: **14 Years**

(21) Appl. No.: **29/131,871**

(22) Filed: **Oct. 30, 2000**

(51) **LOC (7) Cl.** **07-02**

(52) **U.S. Cl.** **D7/362**

(58) **Field of Search** D7/323, 352, 362-367,
D7/332, 337-338, 402, 409-410, 328-330;
99/372, 374-377, 379-380, 389, 425, 386,
443 C, 329 RT, 450, 446; 219/450.1, 452.11,
512, 395; 126/28, 21 R, 19 M, 80, 299 R,
299 D, 299 F; 454/63, 65, 67; D23/370-372

5,404,798 A	*	4/1995	Omarini	99/395
5,404,801 A		4/1995	Holland		
5,536,518 A		7/1996	Rummel		
5,649,475 A		7/1997	Murphy et al.		
5,719,377 A		2/1998	Giebel et al.		
5,752,433 A		5/1998	Charlson et al.		
5,782,168 A		7/1998	Krhnak		
5,801,357 A		9/1998	Danen		
5,845,562 A		12/1998	Deni et al.		
5,848,567 A		12/1998	Chiang		
5,934,180 A		8/1999	Lin		
D415,927 S	*	11/1999	Weber	D7/363
6,005,230 A	*	12/1999	White, Jr. et al.	219/492
D423,280 S		4/2000	Lin		
D439,792 S	*	4/2001	Hedrington et al.	D7/323
D442,822 S	*	5/2001	Lin	D7/362

* cited by examiner

Primary Examiner—Ruth McInroy
(74) *Attorney, Agent, or Firm*—Dilworth & Barrese, LLP

(56) **References Cited**

U.S. PATENT DOCUMENTS

D181,526 S	*	11/1957	Fitzgerald	D7/365
3,487,199 A		12/1969	Hamlin		
3,943,837 A		3/1976	Trkla		
3,956,979 A		5/1976	Coroneos		
D244,444 S	*	5/1977	Bessier et al.	D7/365
4,034,663 A	*	7/1977	Jenn et al.	99/446
4,158,992 A		6/1979	Malafouris		
4,436,023 A	*	3/1984	Takahashi	99/400
4,663,517 A		5/1987	Huff et al.		
D295,251 S	*	4/1988	Veniat	D7/328
4,827,903 A		5/1989	Kim		
5,140,896 A		8/1992	Duran		
5,195,425 A		3/1993	Koziol		
5,203,316 A		4/1993	Pritchett		
D340,615 S	*	10/1993	Guerrier et al.	D7/365
5,297,534 A		3/1994	Louden		
5,367,950 A		11/1994	Sarich		

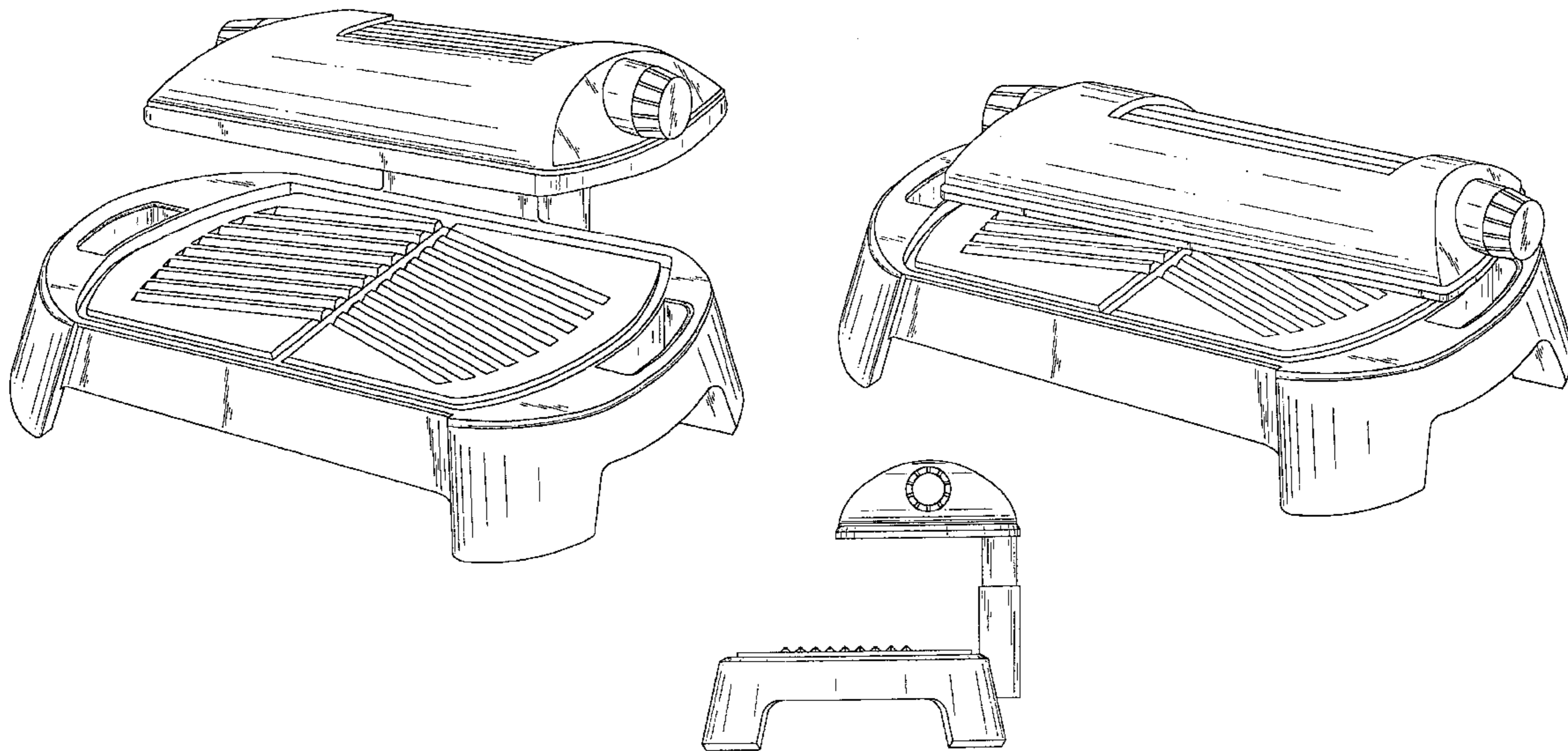
(57) **CLAIM**

I claim the ornamental design for an indoor grill with filter, as shown.

DESCRIPTION

FIG. 1 is a top, perspective view of an indoor grill with a filter unit in cooking position above a grilling surface showing my new design;
FIG. 2 is a front view of the indoor grill of FIG. 1;
FIG. 3 is a right side view of the indoor grill of FIG. 1;
FIG. 4 is a rear view of the indoor grill of FIG. 1;
FIG. 5 is a top view of the indoor grill of FIG. 1;
FIG. 6 is a bottom view of the indoor grill of FIG. 1; and,
FIG. 7 is a top, perspective view of the indoor grill of FIG. 1 showing the filter unit in a reduced configuration.

1 Claim, 4 Drawing Sheets



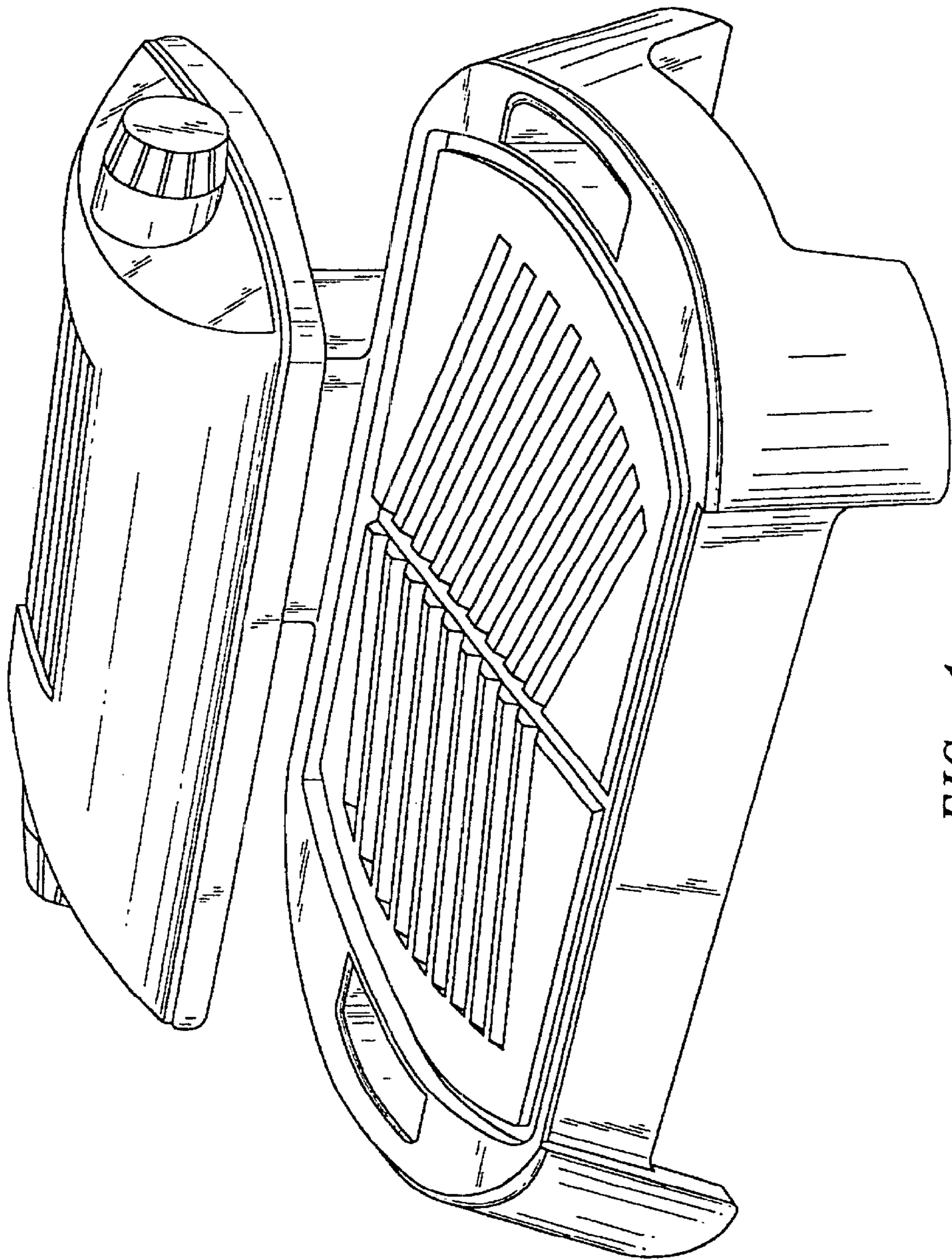


FIG. 1

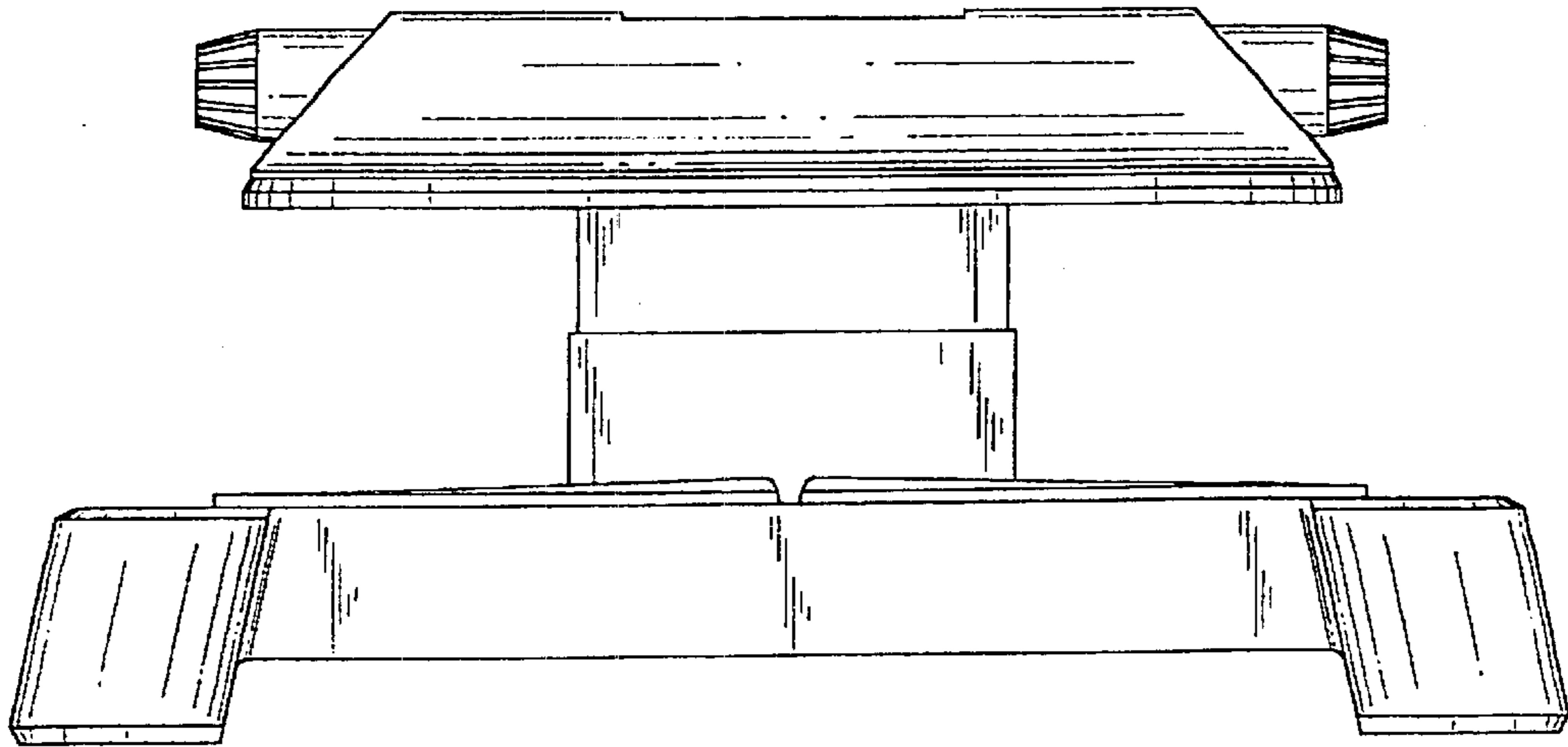


FIG. 2

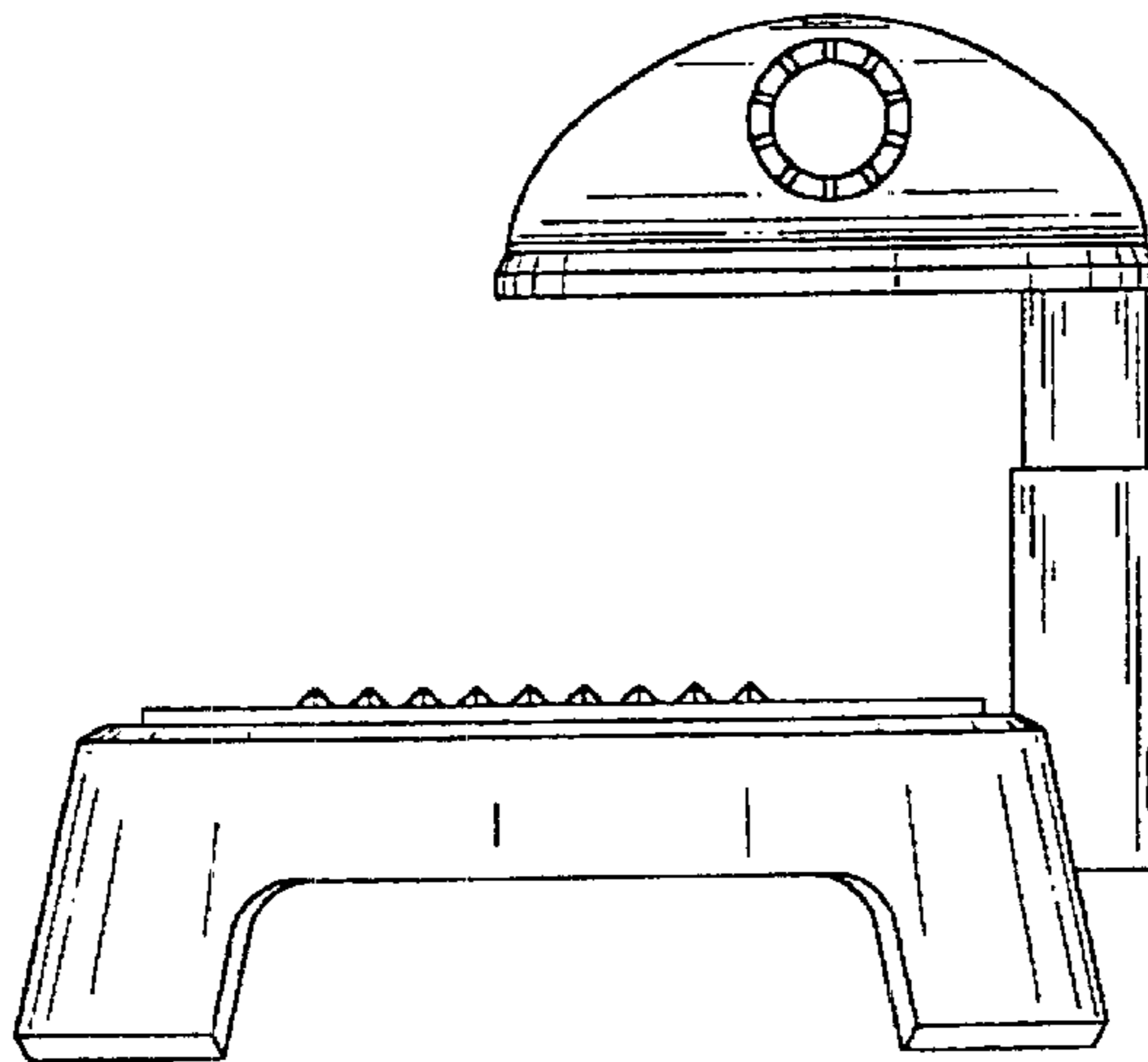


FIG. 3

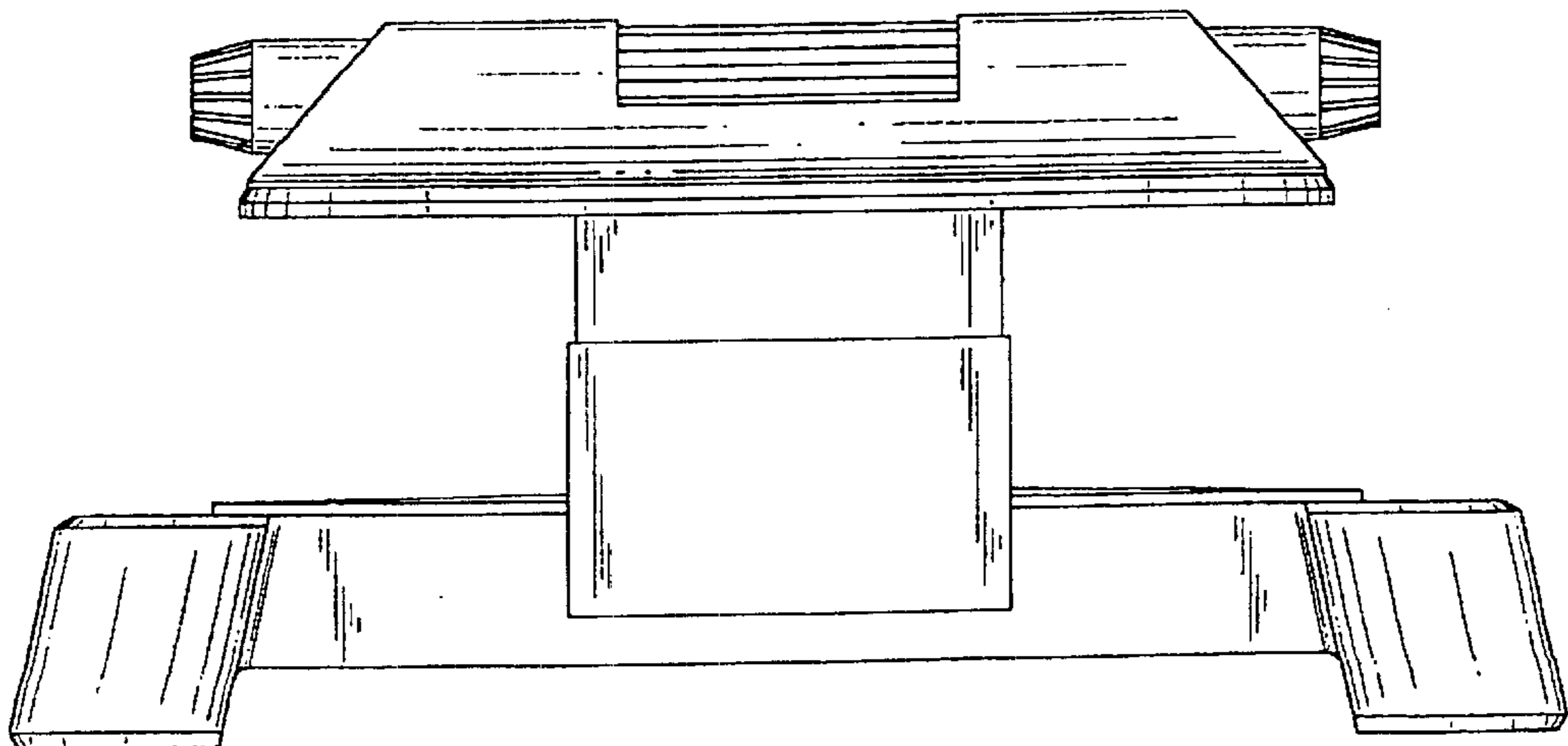


FIG. 4

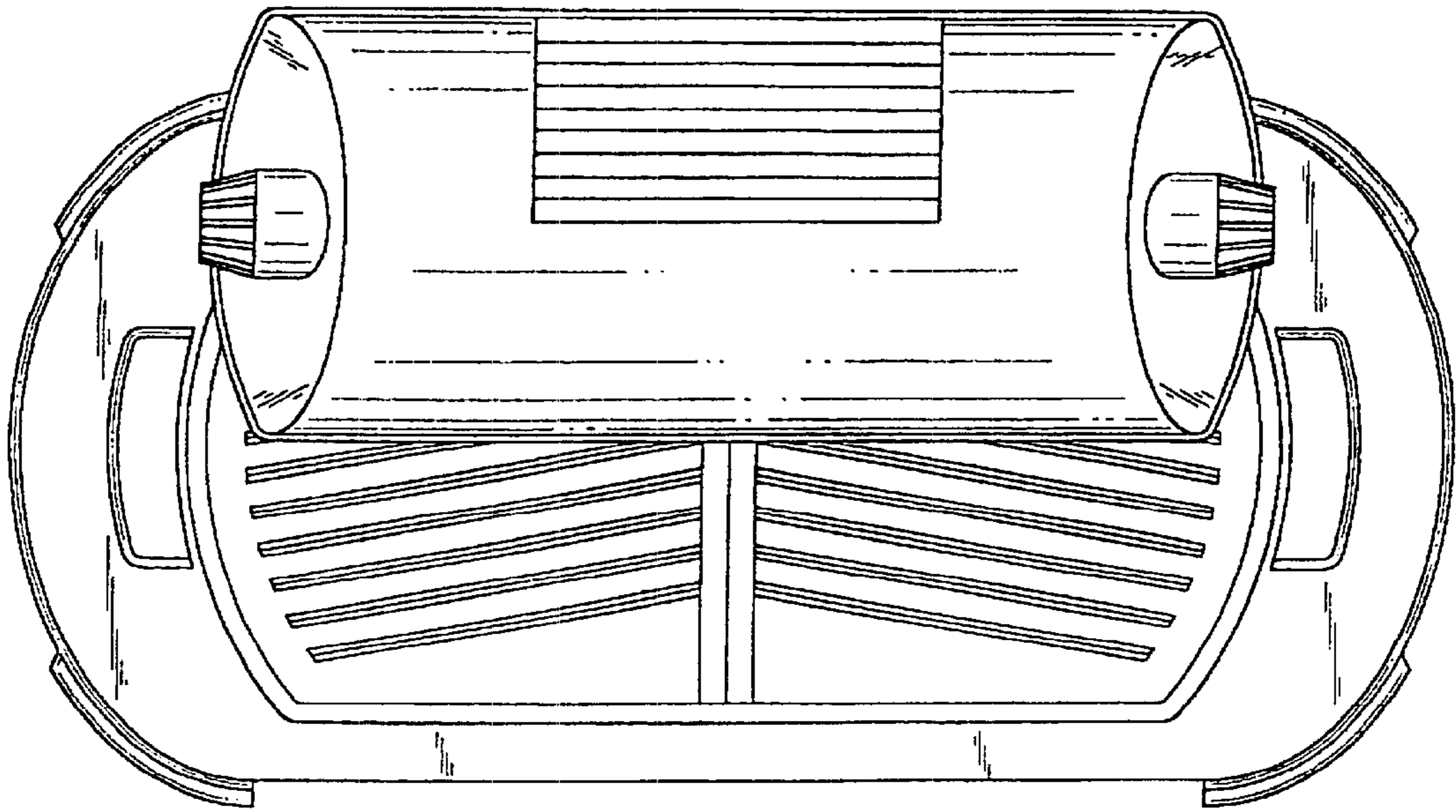


FIG. 5

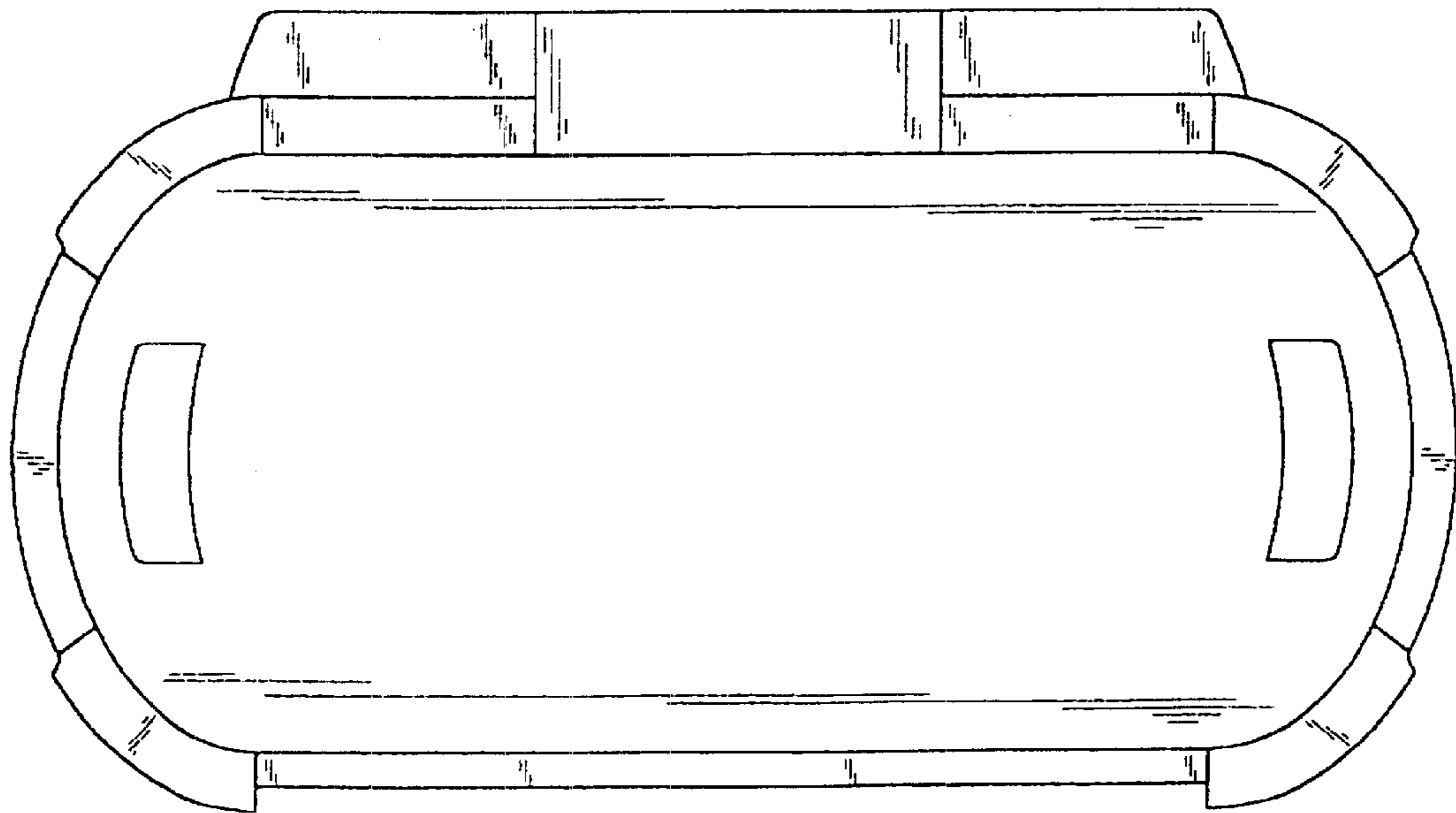


FIG. 6

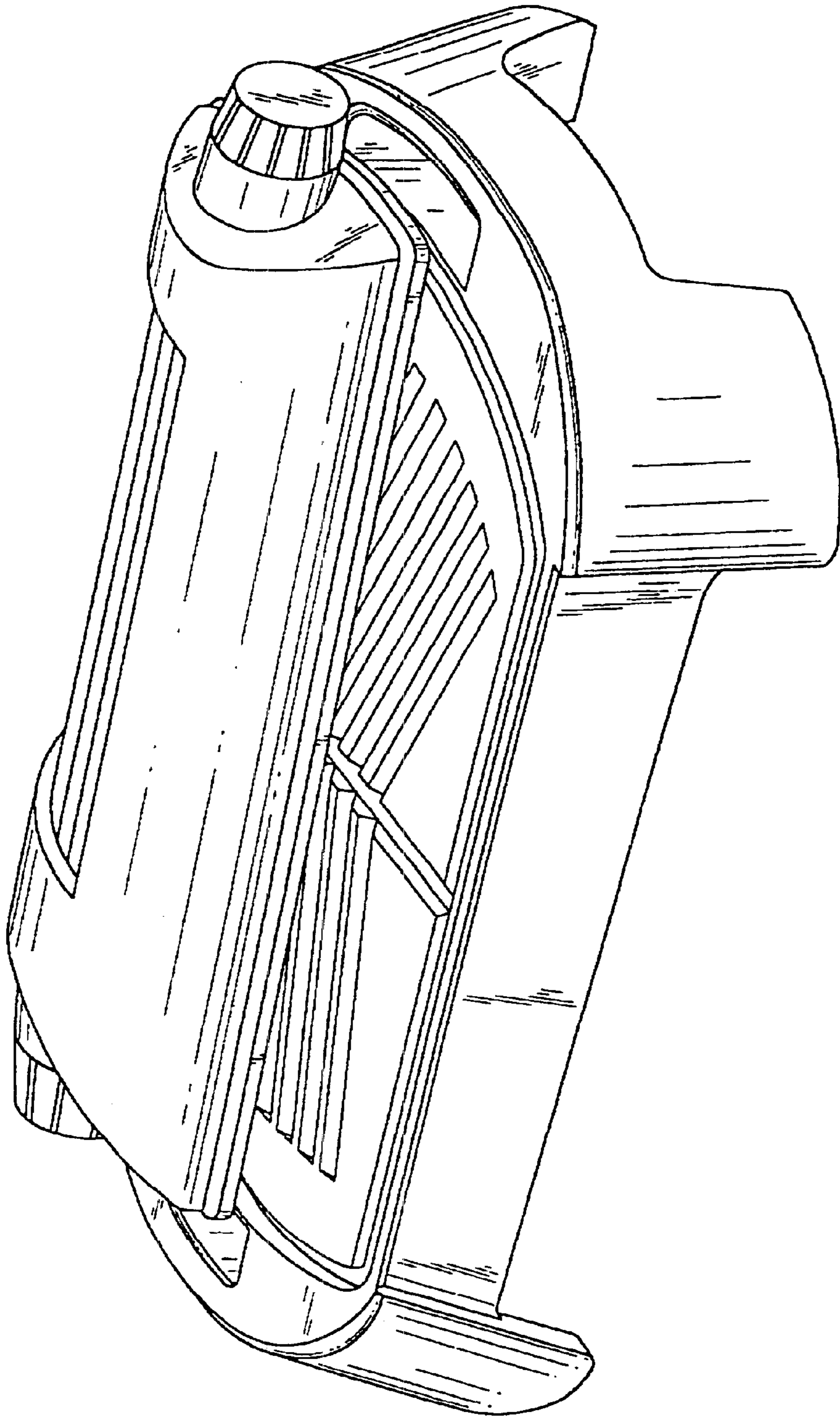


FIG. 7