



US00D458076S

(12) **United States Design Patent**
Hoekstra

(10) **Patent No.:** **US D458,076 S**
(45) **Date of Patent:** **** Jun. 4, 2002**

(54) **PAN**

OTHER PUBLICATIONS

(75) Inventor: **Jan Hoekstra**, Rotterdam (NL)

Macy's circular, Nov. 4, 1993; p. 1a; Calphalon 8 qt. stock pot, top left of page.*

(73) Assignee: **B.V. Koninklijke Van Kempen & Begeer**, Zoetermeer (NL)

* cited by examiner

(**) Term: **14 Years**

Primary Examiner—Caron D. Veynar

(21) Appl. No.: **29/128,022**

(74) *Attorney, Agent, or Firm*—Altera Law Group, LLC.

(22) Filed: **Aug. 16, 2000**

(57) **CLAIM**

(30) **Foreign Application Priority Data**

The ornamental design for a pan, as shown and described.

Feb. 16, 2000 (XH) DM/051 019

DESCRIPTION

(51) **LOC (7) Cl.** **07-02**

FIG. 1 is a perspective view of the pan showing my new design.

(52) **U.S. Cl.** **D7/360**

FIG. 2 is a perspective view of the cover shown separately for ease of illustration; and,

(58) **Field of Search** D7/323, 354-361;
220/573.1, 573.2; 99/324, 339

FIG. 3 is a perspective view of the pan without the lid.

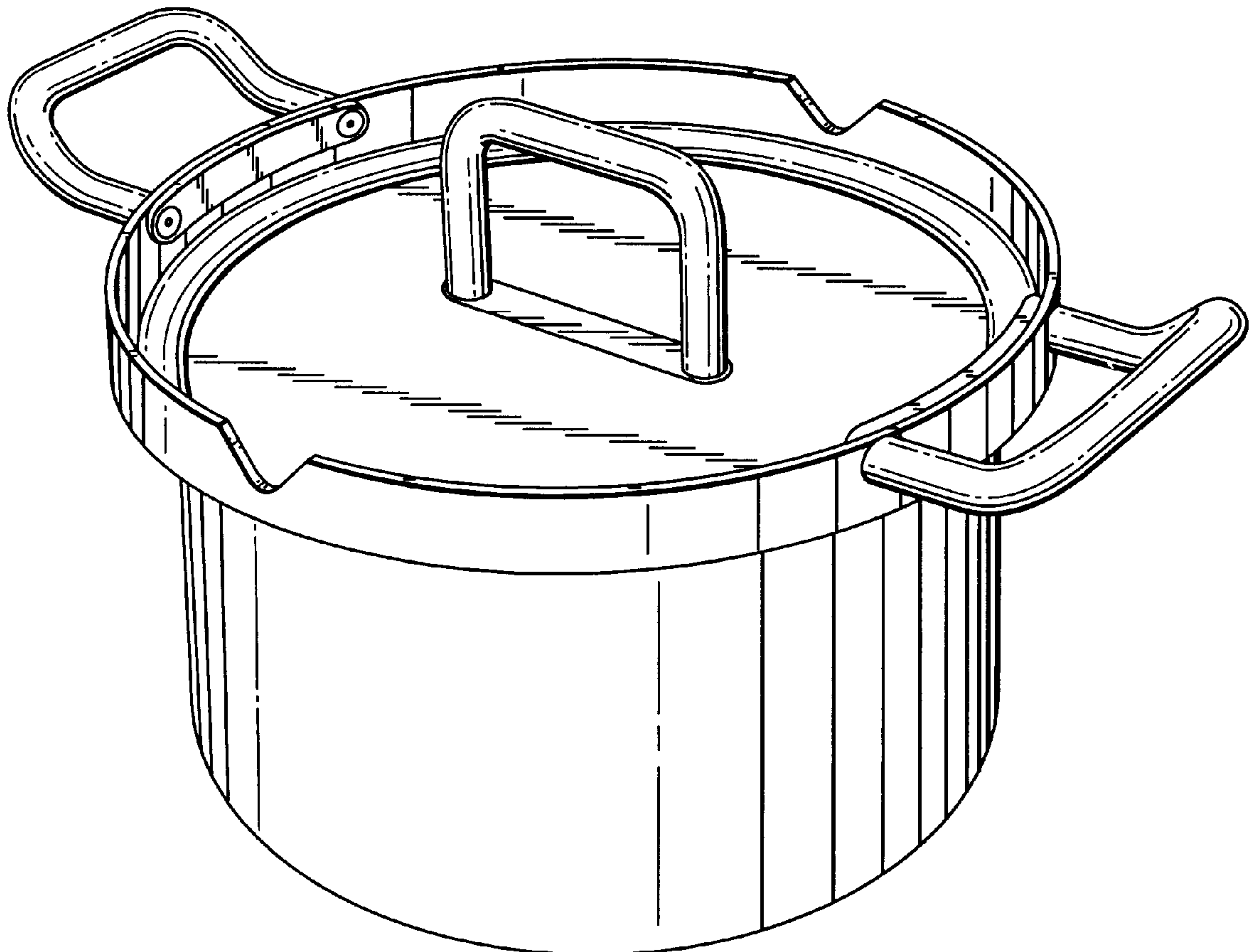
(56) **References Cited**

The pan is symmetrical front to back and side to side. The bottom of the pan is unornamented.

U.S. PATENT DOCUMENTS

D265,161 S * 6/1982 Otake D7/360

1 Claim, 3 Drawing Sheets



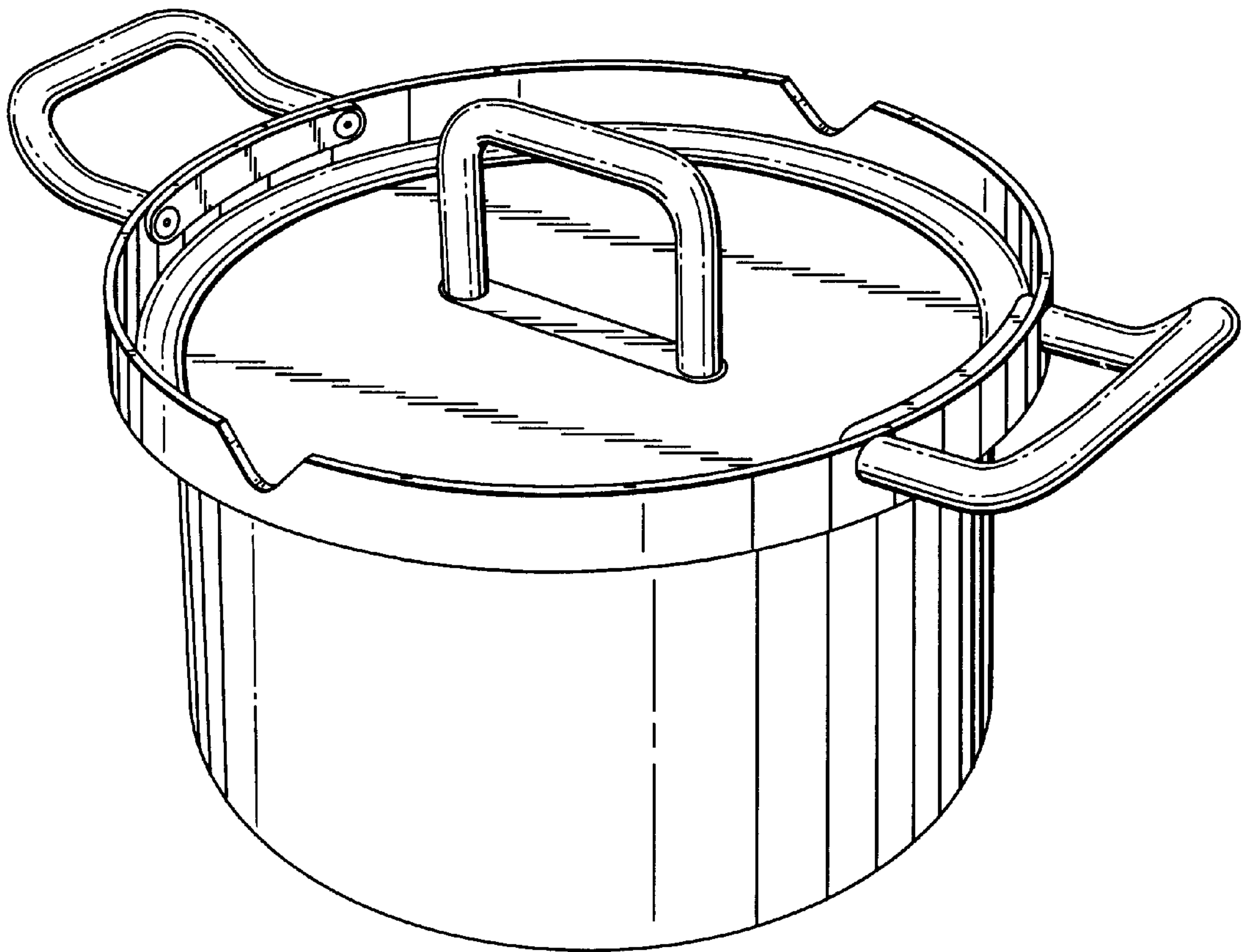


Fig. 1

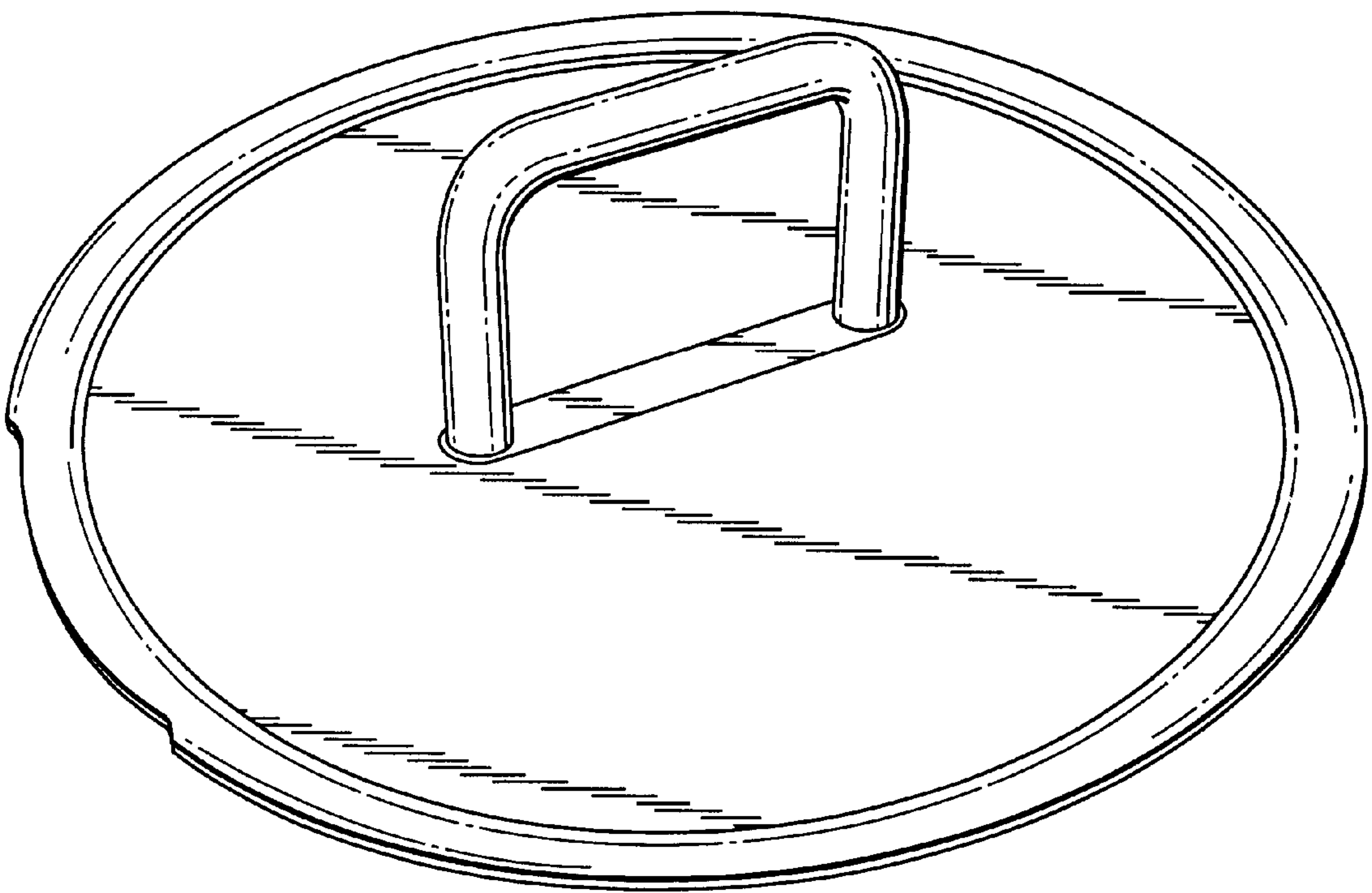


Fig. 2

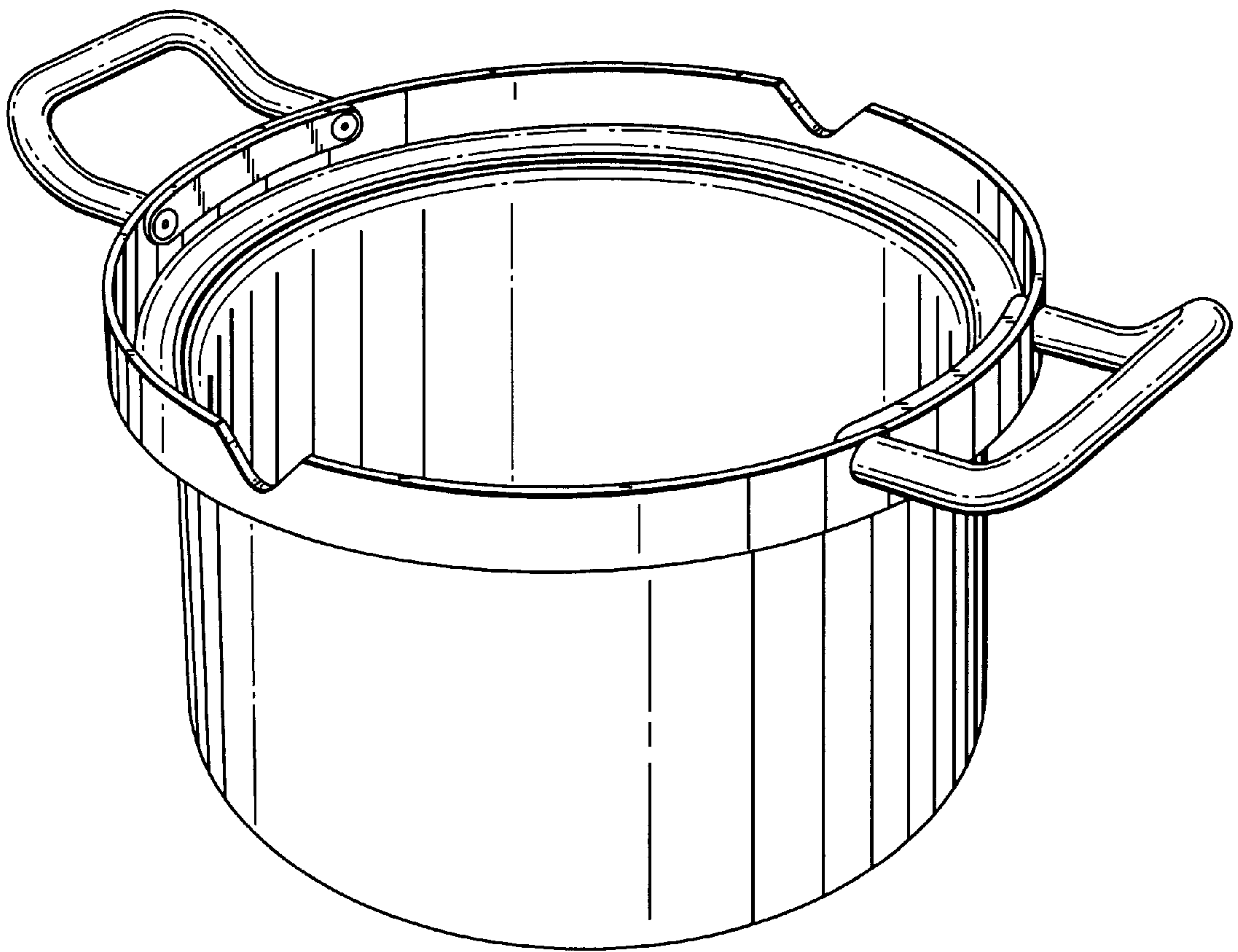


Fig. 3