

US00D458075S

(12) **United States Design Patent**  
**Holbrook**

(10) **Patent No.:** **US D458,075 S**

(45) **Date of Patent:** **\*\* Jun. 4, 2002**

(54) **RESTAURANT GRIDDLE**

(76) **Inventor:** **Troy A. Holbrook**, 2749 E. Parley's Way, Suite 100, Salt Lake City, UT (US) 84109

(\*\*) **Term:** **14 Years**

(21) **Appl. No.:** **29/131,682**

(22) **Filed:** **Oct. 27, 2000**

(51) **LOC (7) Cl.** ..... **07-02**

(52) **U.S. Cl.** ..... **D7/346; D7/364**

(58) **Field of Search** ..... D7/340, 346-9, D7/402, 406, 407, 364, 339; D6/476; 219/428, 472, 443.1, 450.1, 452.11, 452.12, 470, 478; 62/252-4, 331; 312/236; 126/39 R, 40, 39 BA, 39 G, 211, 214 R, 214 A, 214 C; 108/25, 50.11

(56) **References Cited**

**U.S. PATENT DOCUMENTS**

2,786,337 A \* 3/1957 Spring ..... 312/236

D197,394 S \* 1/1964 Werner ..... D7/347  
D205,820 S \* 9/1966 Ryan ..... D7/364  
D222,515 S \* 10/1971 Goetz ..... D7/339  
D287,795 S \* 1/1987 Streepy ..... D6/476  
6,268,592 B1 \* 7/2001 Hu et al. .... 219/450.1

\* cited by examiner

*Primary Examiner*—B. J. Bullock

(74) *Attorney, Agent, or Firm*—K. S. Cornaby

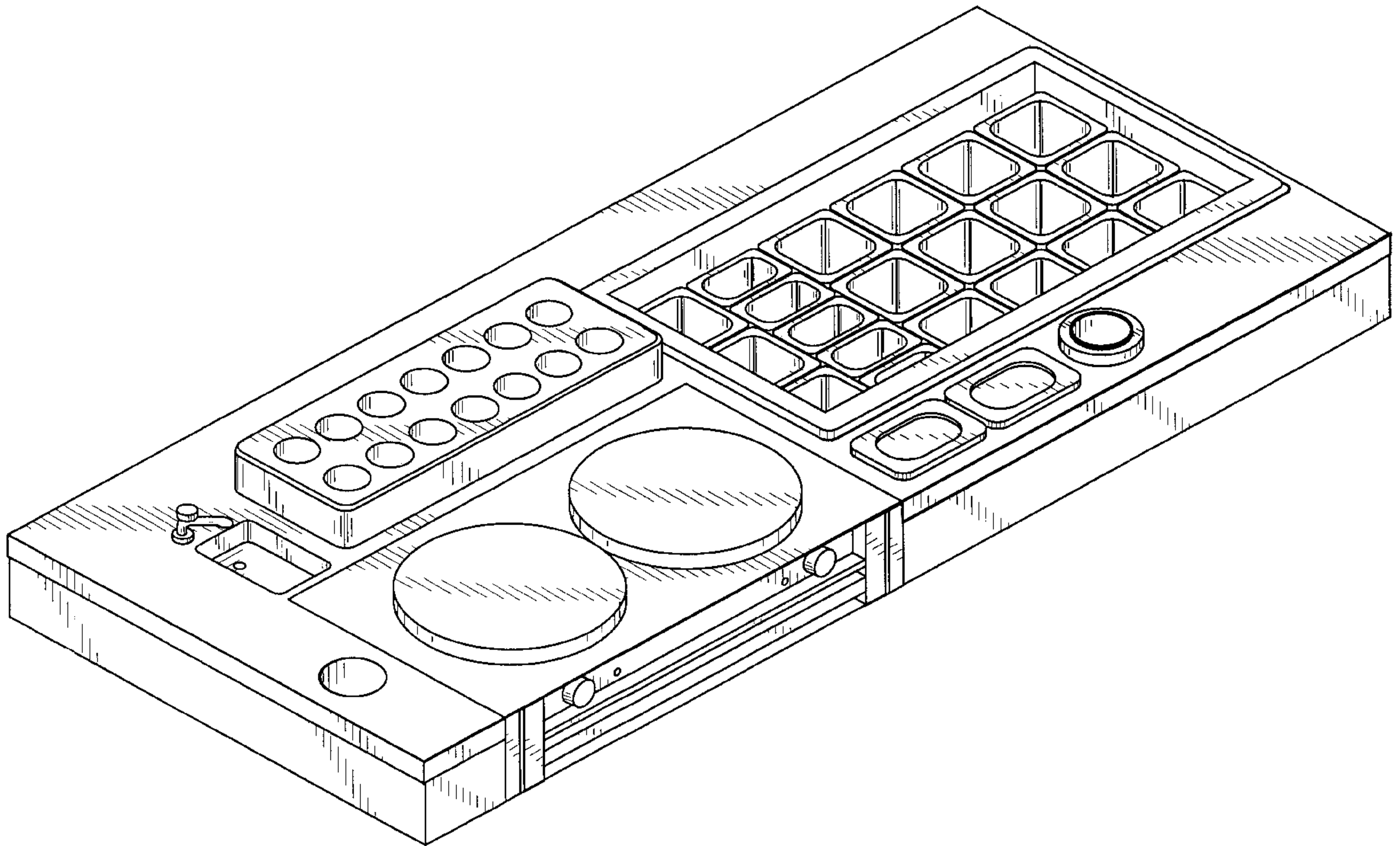
(57) **CLAIM**

The ornamental design for a restaurant griddle, as shown.

**DESCRIPTION**

FIG. 1 is a perspective view taken from the top, front and left side of a restaurant griddle showing my new design; FIG. 2 is a top plan view thereof; FIG. 3 is a front elevational view thereof; FIG. 4 is a rear elevational view thereof; FIG. 5 is a right rear elevational view thereof; and, FIG. 6 is a left rear elevational view thereof.

**1 Claim, 4 Drawing Sheets**



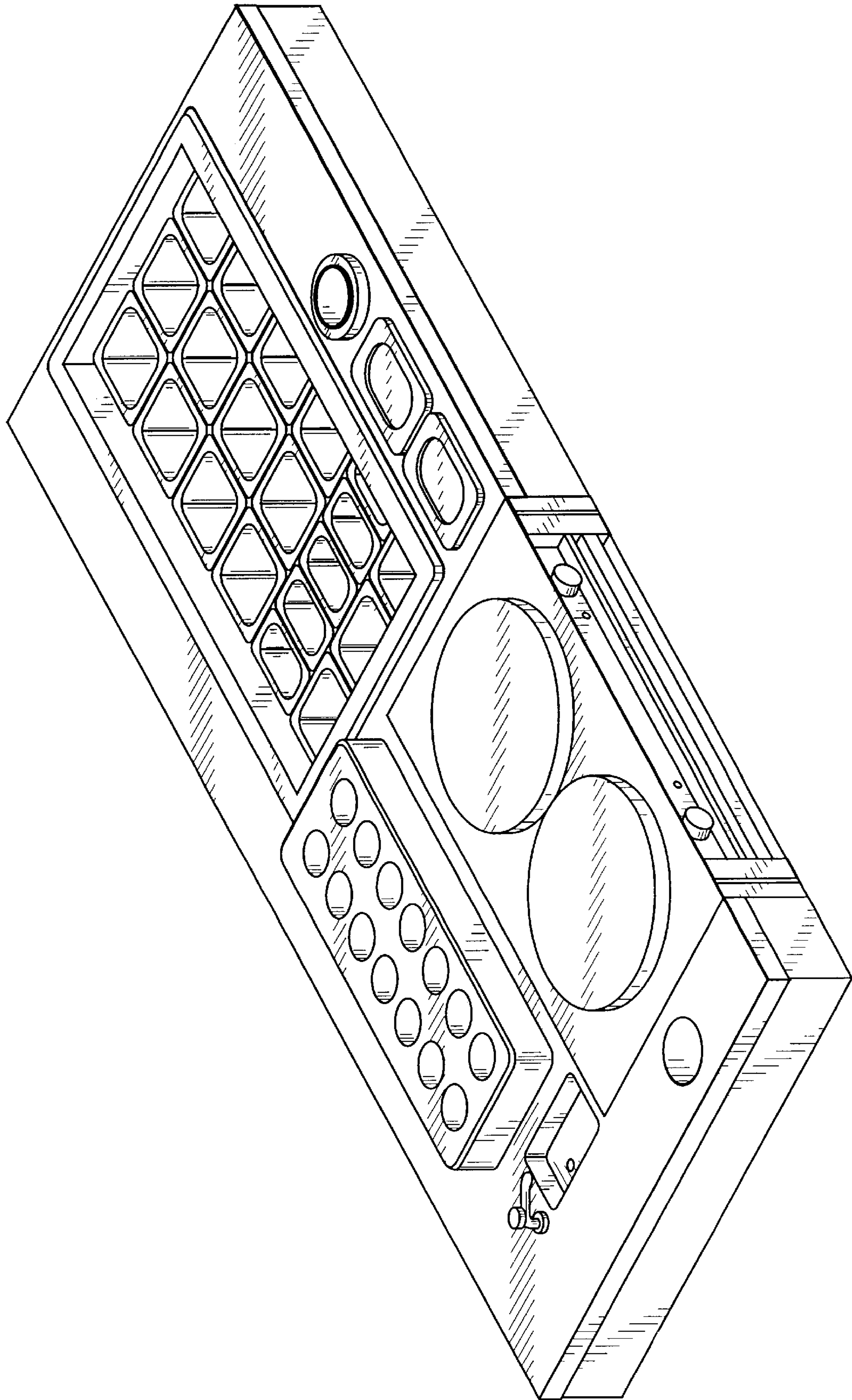


Fig. 1

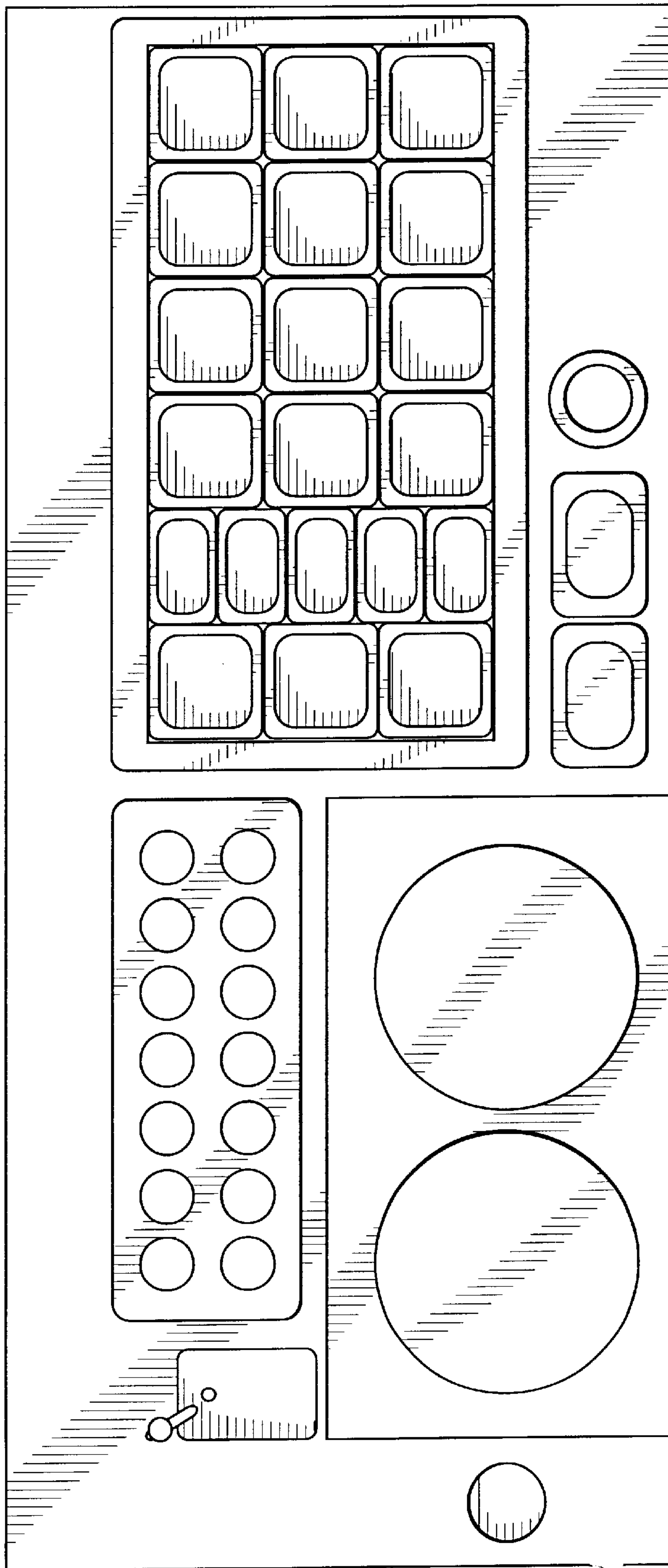
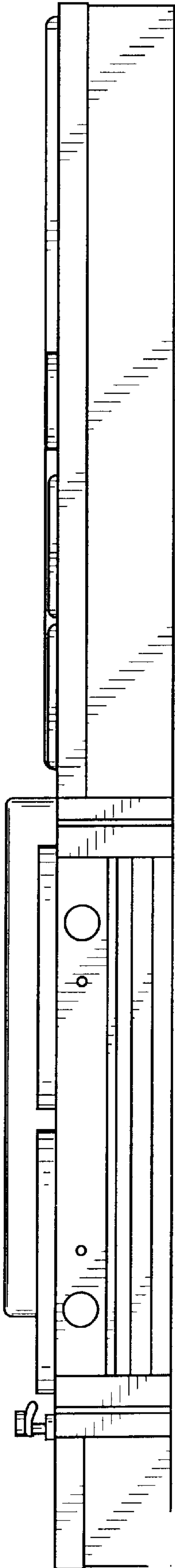
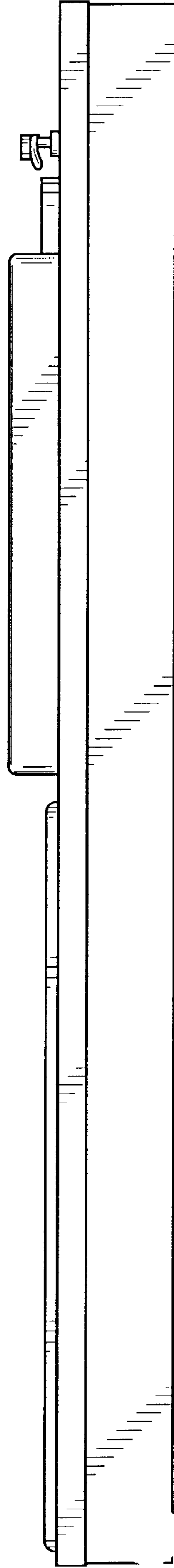


Fig. 2



*Fig. 3*



*Fig. 4*



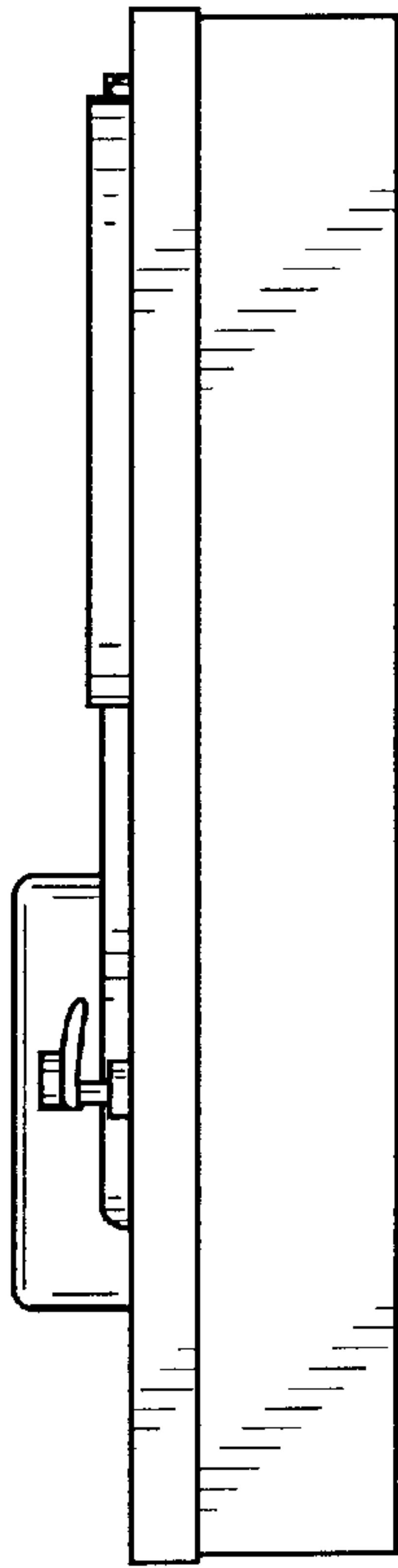


Fig. 6

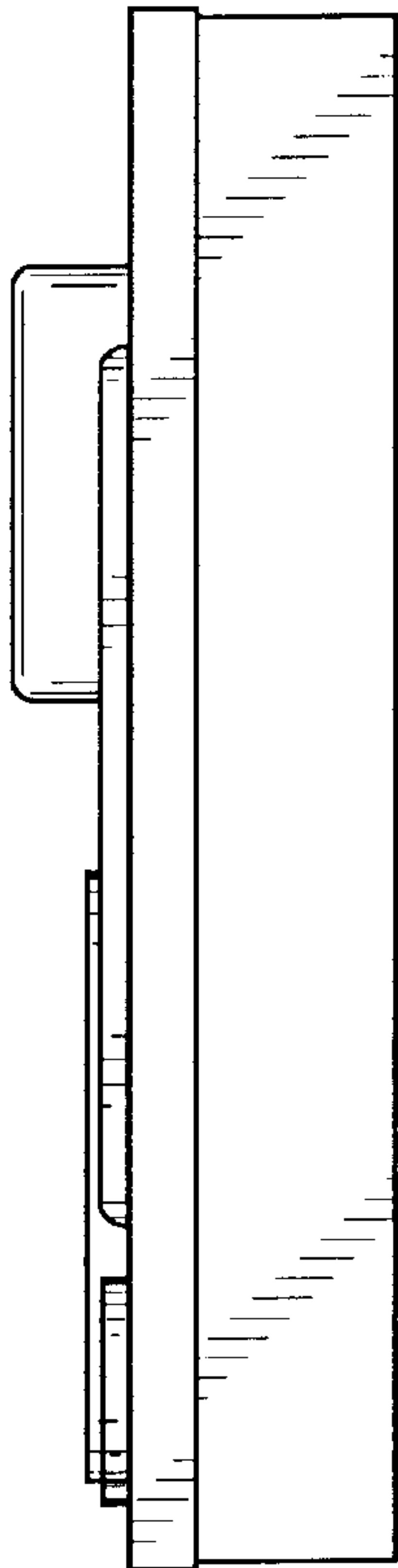


Fig. 5