



US00D458074S

(12) **United States Design Patent**  
**Bodum**

(10) **Patent No.:** **US D458,074 S**

(45) **Date of Patent:** **\*\* Jun. 4, 2002**

(54) **COFFEE MAKER**

(75) Inventor: **Jørgen Bodum**, St. Niklausen (CH)

(73) Assignee: **PI-Design AG**, Triengen (CH)

(\*\*) Term: **14 Years**

(21) Appl. No.: **29/148,647**

(22) Filed: **Sep. 26, 2001**

(30) **Foreign Application Priority Data**

Apr. 6, 2001 (DK) ..... MA 2001 00372

(51) **LOC (7) Cl.** ..... **07-01**

(52) **U.S. Cl.** ..... **D7/319; D7/317**

(58) **Field of Search** ..... D7/312, 300, 316,  
D7/317, 318, 319, 310; 215/396, 12.1,  
314; 206/446; 99/319, 306; 366/256; 222/470,  
210

(56) **References Cited**

**U.S. PATENT DOCUMENTS**

1,782,962	A	*	11/1930	Hobbs	.....	206/446	X
4,365,544	A	*	12/1982	Howitt	.....	99/297	
D342,414	S	*	12/1993	Jorgensen	.....	D7/317	
D343,333	S	*	1/1994	Jorgensen	.....	D7/317	
D372,627	S	*	8/1996	Ireland	.....	D7/319	
D377,132	S	*	1/1997	Jorgensen	.....	D7/318	
D378,261	S	*	3/1997	Jorgensen	.....	D7/319	
D383,639	S	*	9/1997	Jorgensen	.....	D7/319	
D384,540	S	*	10/1997	Joergensen	.....	D7/319	

D386,040	S	*	11/1997	Joergensen	.....	D7/317	
D405,641	S	*	2/1999	Brady	.....	D7/319	
D405,642	S	*	2/1999	Toriba	.....	D7/319	
D410,170	S	*	5/1999	Sheu	.....	D7/319	
D413,480	S	*	9/1999	Joergensen	.....	D7/317	
D441,248	S	*	5/2001	Brady	.....	D7/319	
D448,601	S	*	10/2001	Yeh	.....	D7/319	
D448,602	S	*	10/2001	Bodum	.....	D7/319	
D448,603	S	*	10/2001	Yeh	.....	D7/319	
D449,760	S	*	10/2001	Yeh	.....	D7/319	
D449,957	S	*	11/2001	Yeh	.....	D7/319	

\* cited by examiner

*Primary Examiner*—M. N. Pandozzi

(74) *Attorney, Agent, or Firm*—Nath & Associates PLLC;  
Gary M. Nath

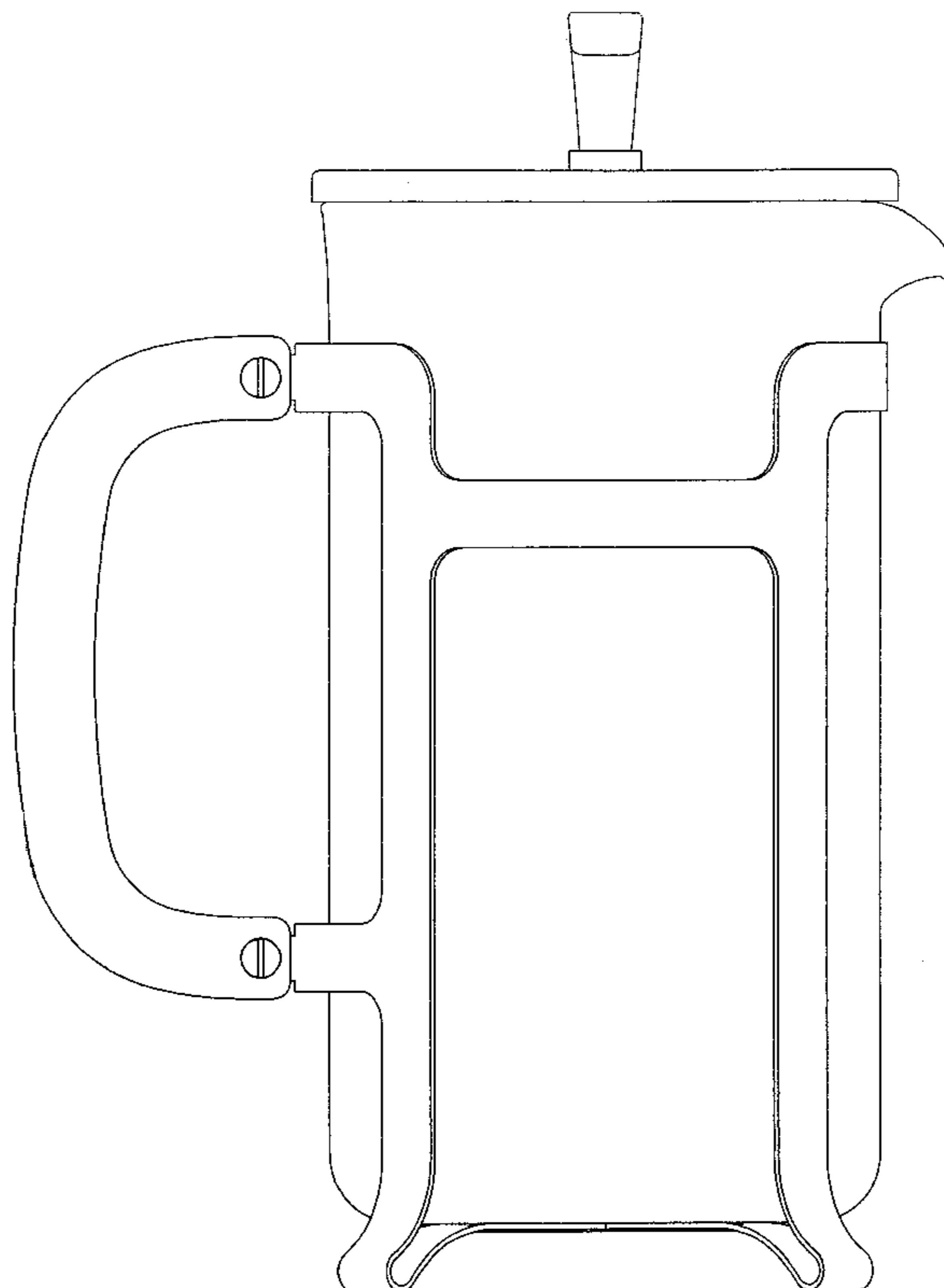
(57) **CLAIM**

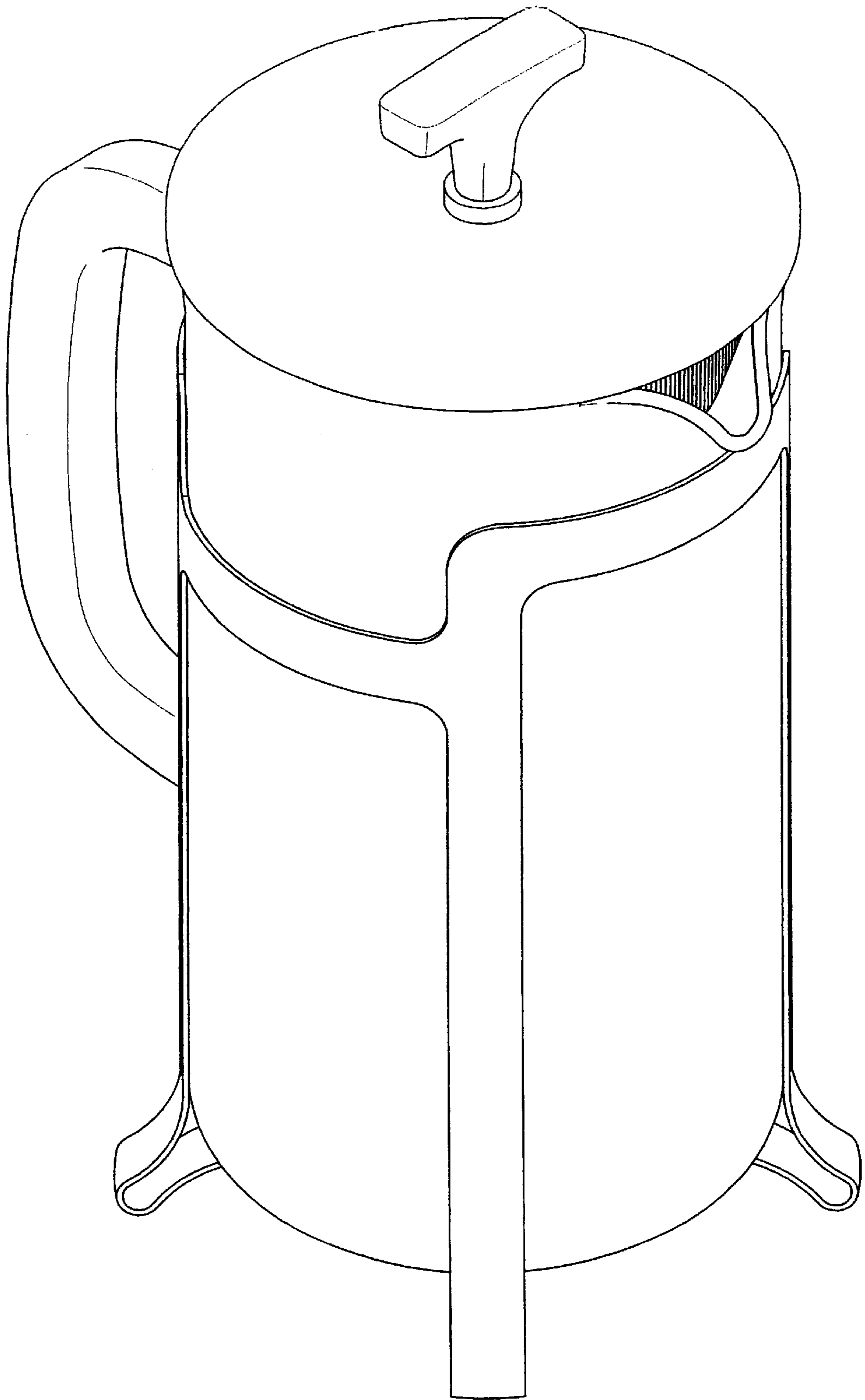
The ornamental design for a coffee maker, as shown and described.

**DESCRIPTION**

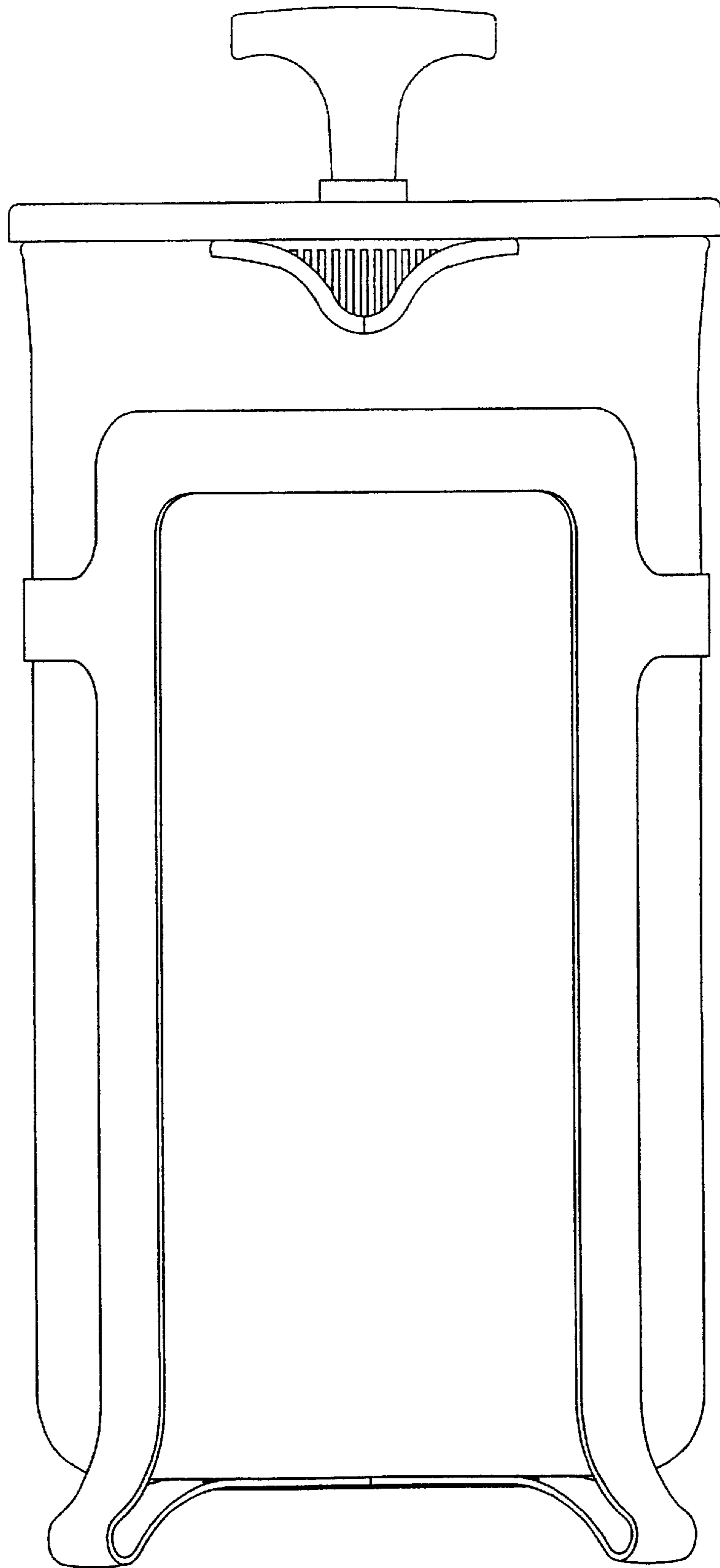
FIG. 1 is an oblique perspective view of the coffee maker; FIG. 2 is a right side view of the coffee maker, as shown in FIG. 1; FIG. 3 is a left side view of the coffee maker; FIG. 4 is a front side view of the coffee maker; FIG. 5 is a back side view of the coffee maker; FIG. 6 is a top view of the coffee maker; and, FIG. 7 is a bottom view of the coffee maker.

**1 Claim, 7 Drawing Sheets**

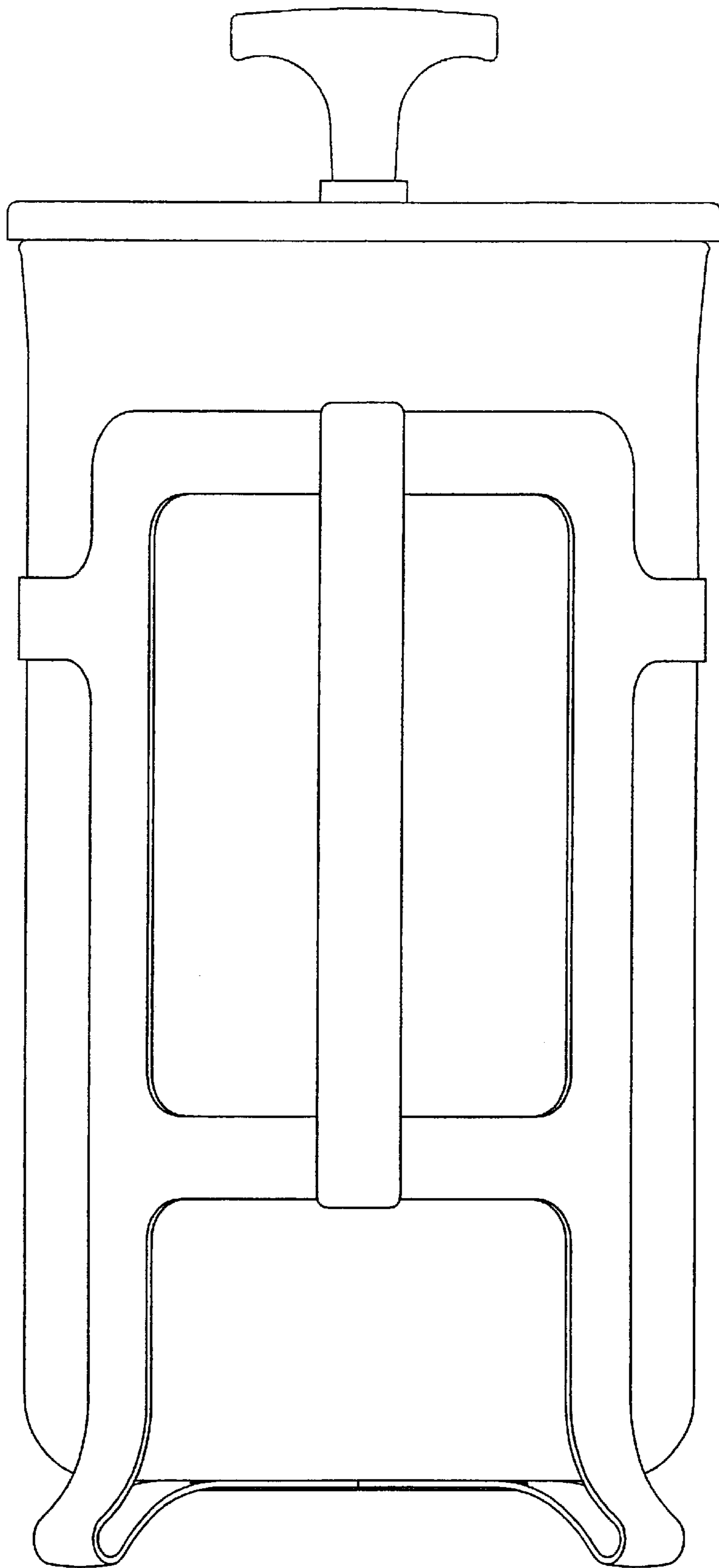




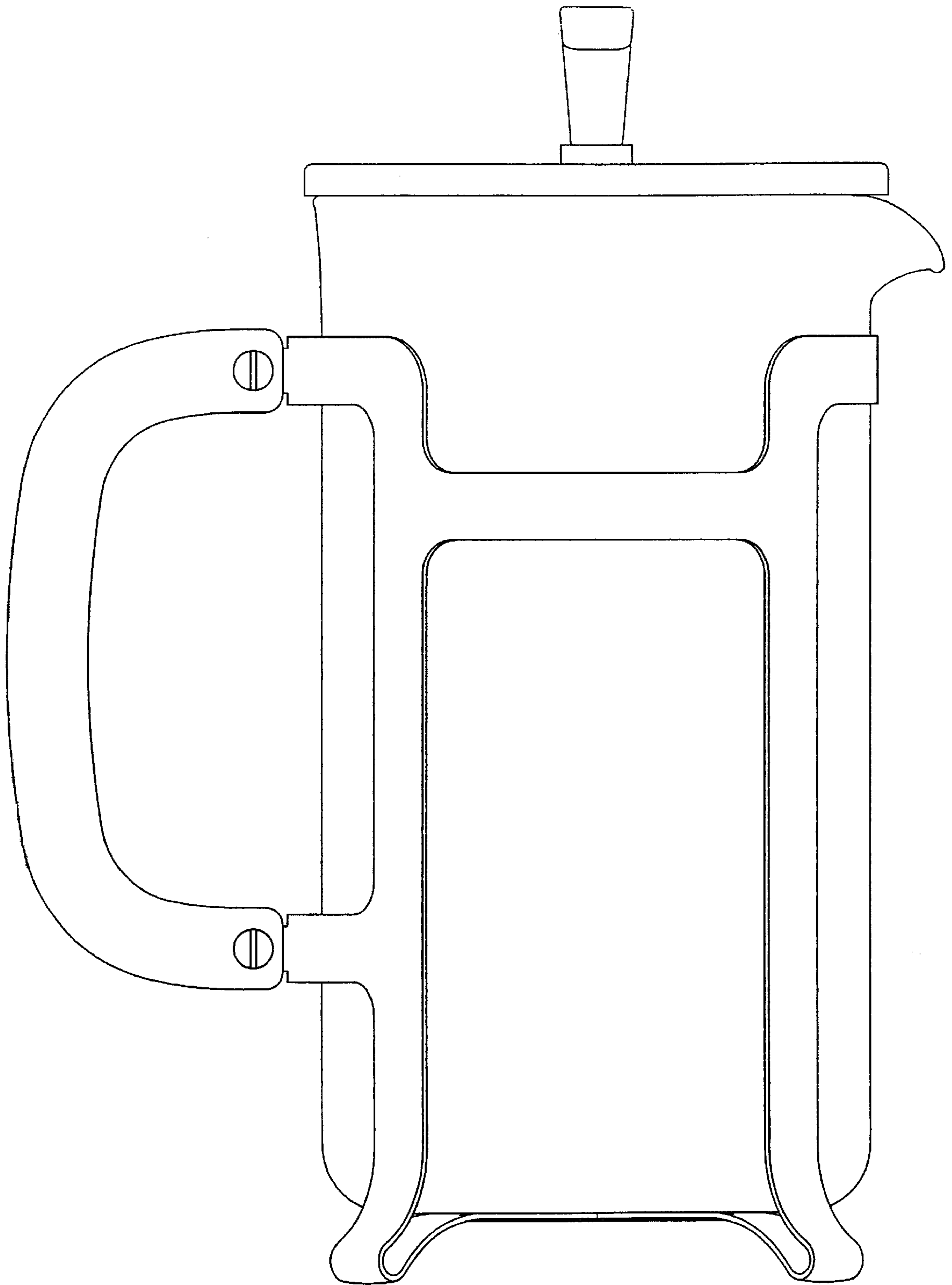
**Fig. 1**



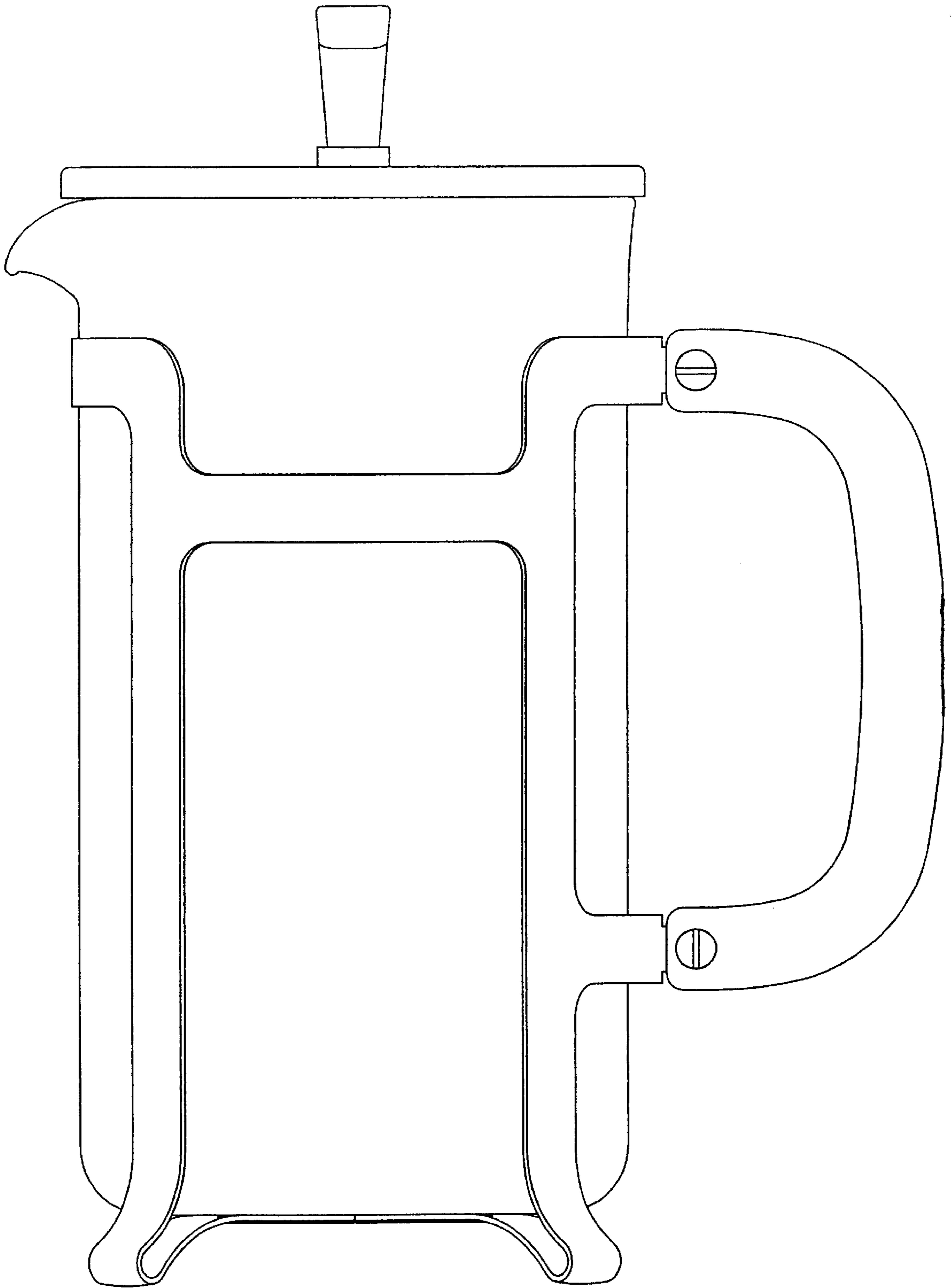
**Fig. 2**



**Fig. 3**



**Fig. 4**



**Fig. 5**

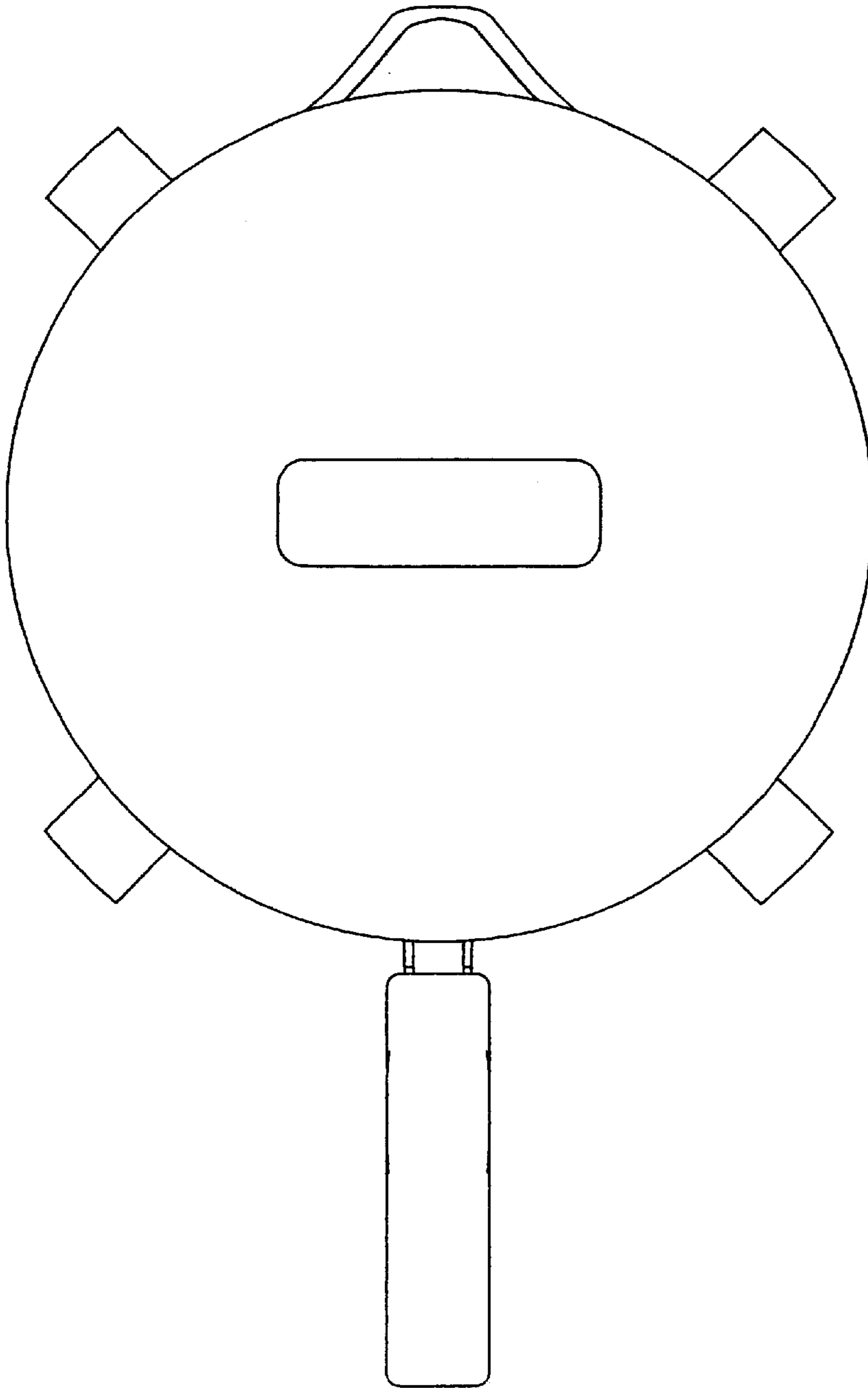
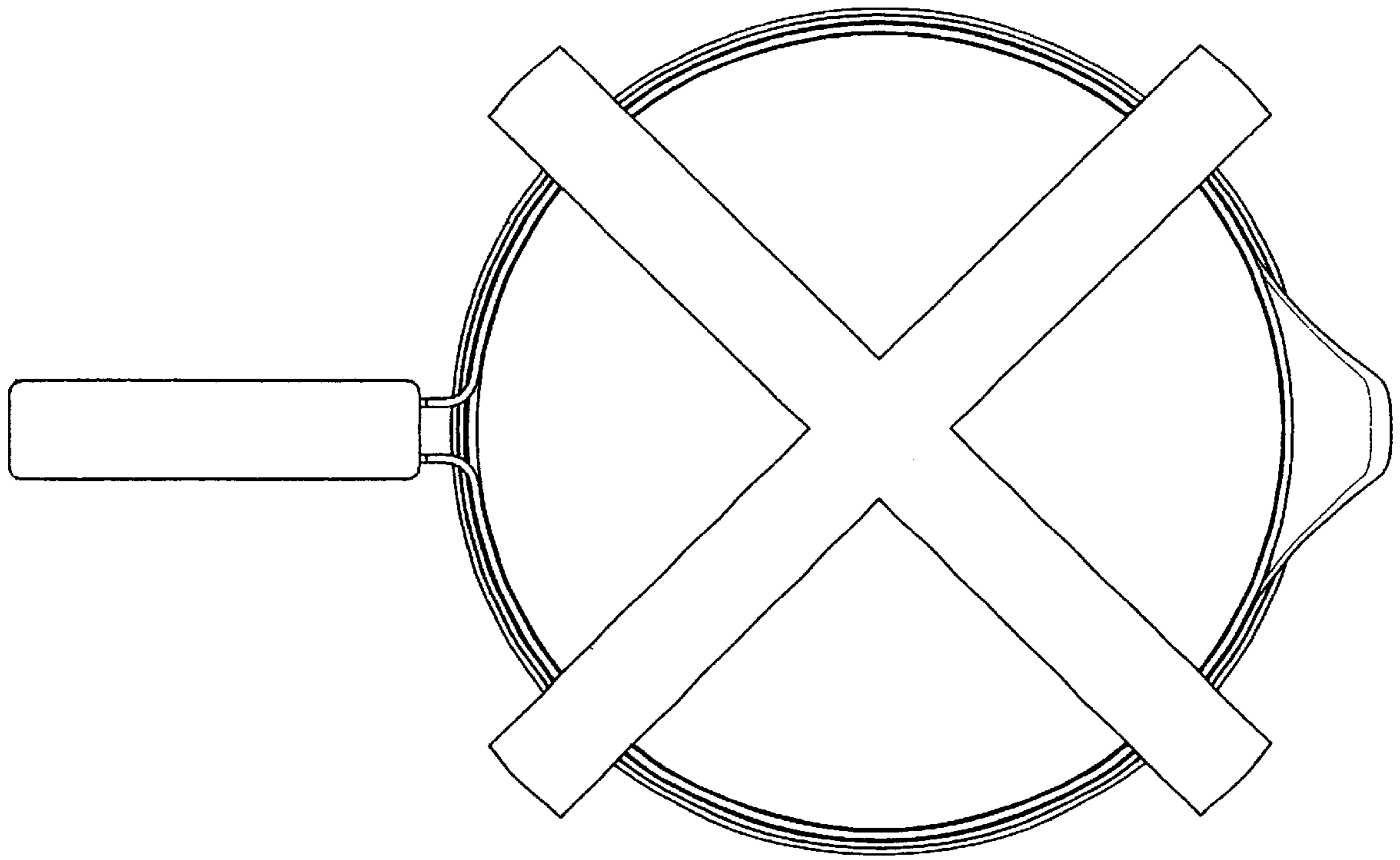


Fig. 6



**Fig. 7**