



US00D458072S

(12) **United States Design Patent**
Hoernig

(10) **Patent No.:** **US D458,072 S**

(45) **Date of Patent:** **** Jun. 4, 2002**

(54) **WALL SHELF**

(75) Inventor: **Victor Hoernig**, Lowell, IN (US)

(73) Assignee: **GUSA, Inc.**, Fort Mill, SC (US)

(**) Term: **14 Years**

(21) Appl. No.: **29/144,483**

(22) Filed: **Jul. 3, 2001**

(51) **LOC (7) Cl.** **06-04**

(52) **U.S. Cl.** **D6/574**

(58) **Field of Search** D6/566, 567, 569,
D6/570, 574; 211/13.1, 30, 32, 34, 35,
86.01, 87.01, 88.01, 90.01, 126.1, 134

(56) **References Cited**

U.S. PATENT DOCUMENTS

D29,442 S * 10/1898 Connally D6/574
D267,059 S * 11/1982 Thompson D6/574

* cited by examiner

Primary Examiner—Brian N. Vinson

(74) *Attorney, Agent, or Firm*—Edgar A. Zarins; Lloyd D. Doigan

(57) **CLAIM**

The ornamental design for a wall shelf, as shown and described.

DESCRIPTION

FIG. 1 is a perspective view of a wall shelf showing my new design;

FIG. 2 is a right side view thereof;

FIG. 3 is a left side view thereof;

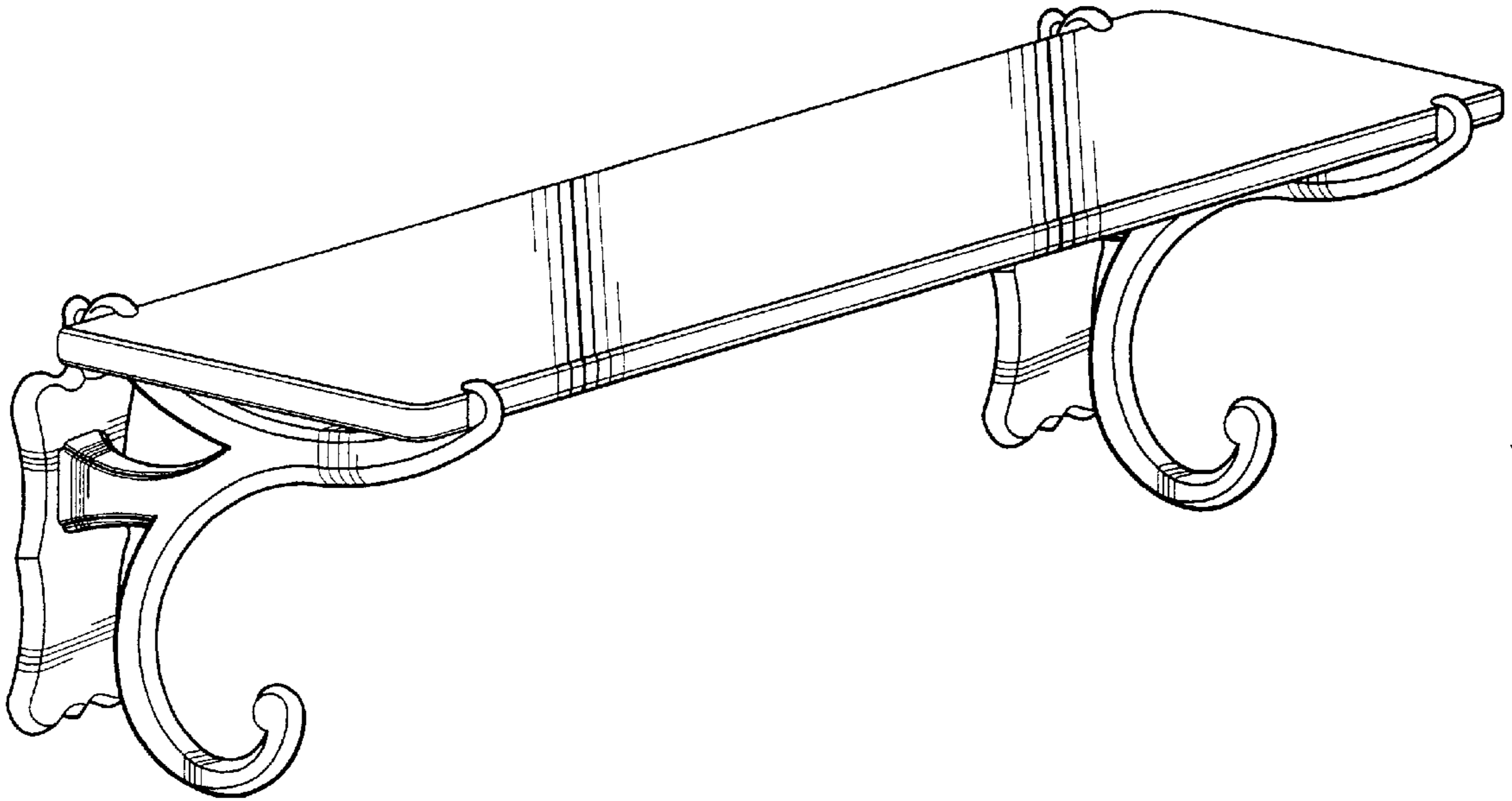
FIG. 4 is a front elevational view thereof;

FIG. 5 is a top plan view thereof;

FIG. 6 is a bottom plan view thereof; and,

FIG. 7 is a rear elevational view thereof.

1 Claim, 3 Drawing Sheets



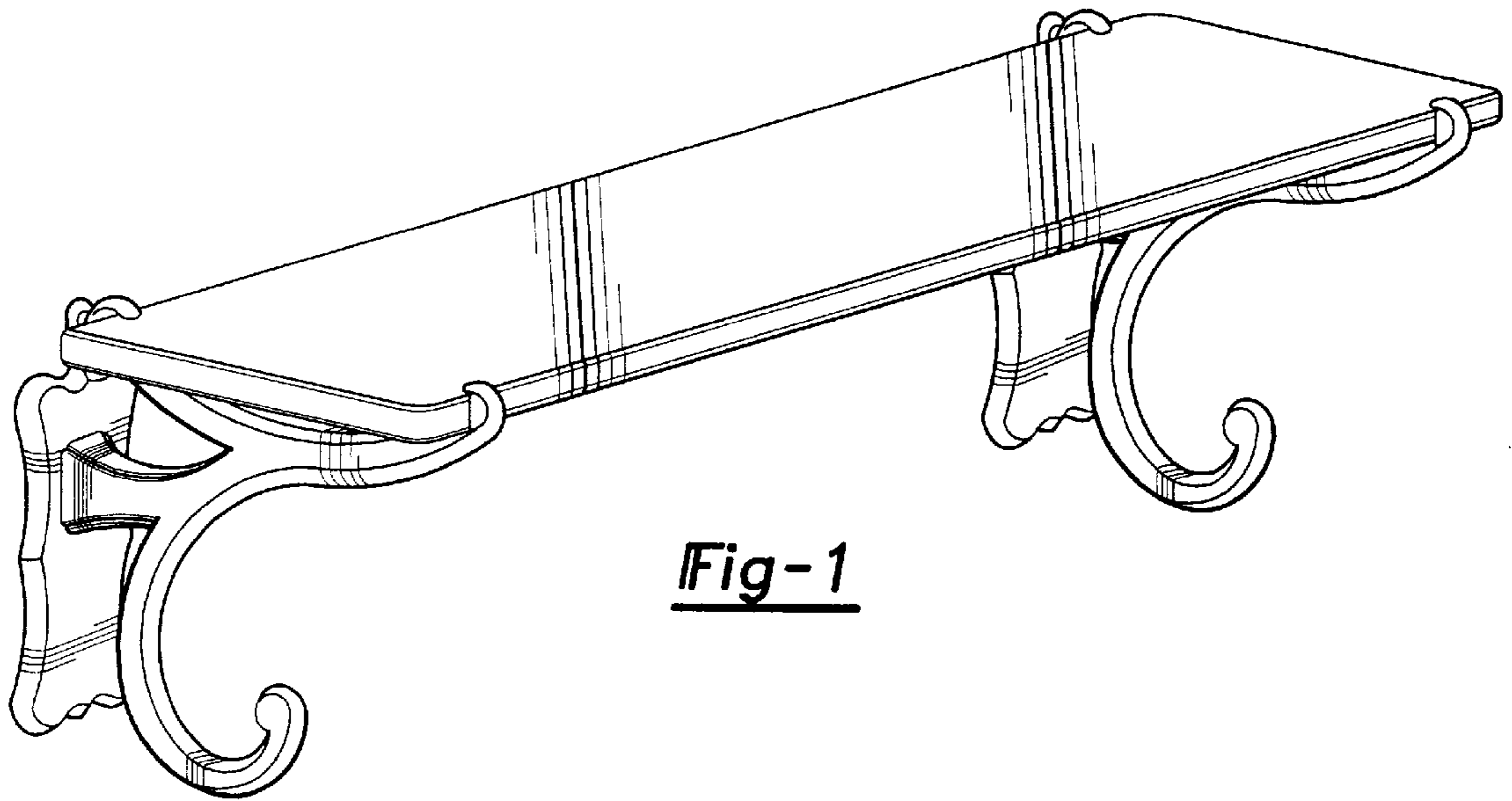


Fig-1

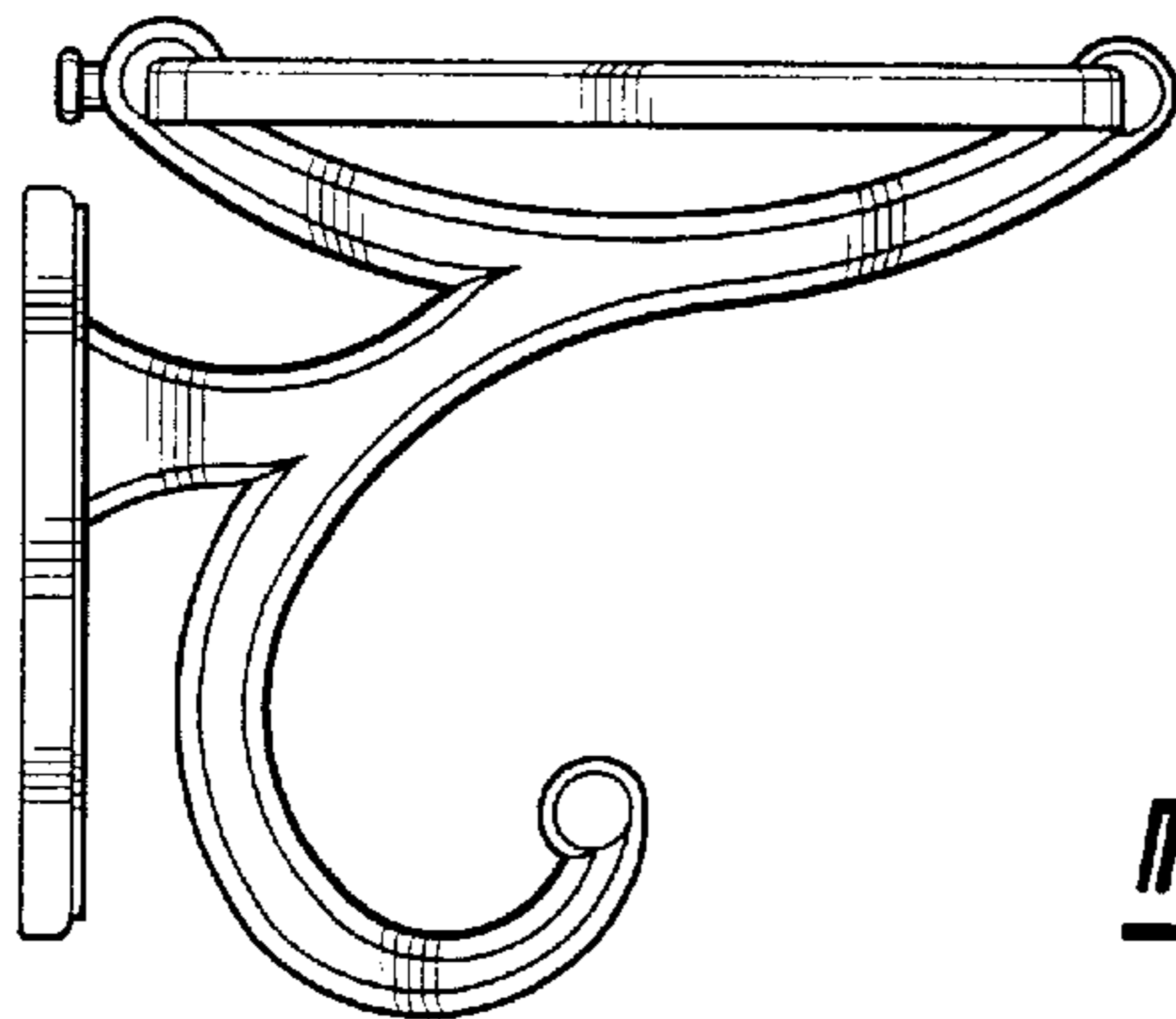


Fig-2

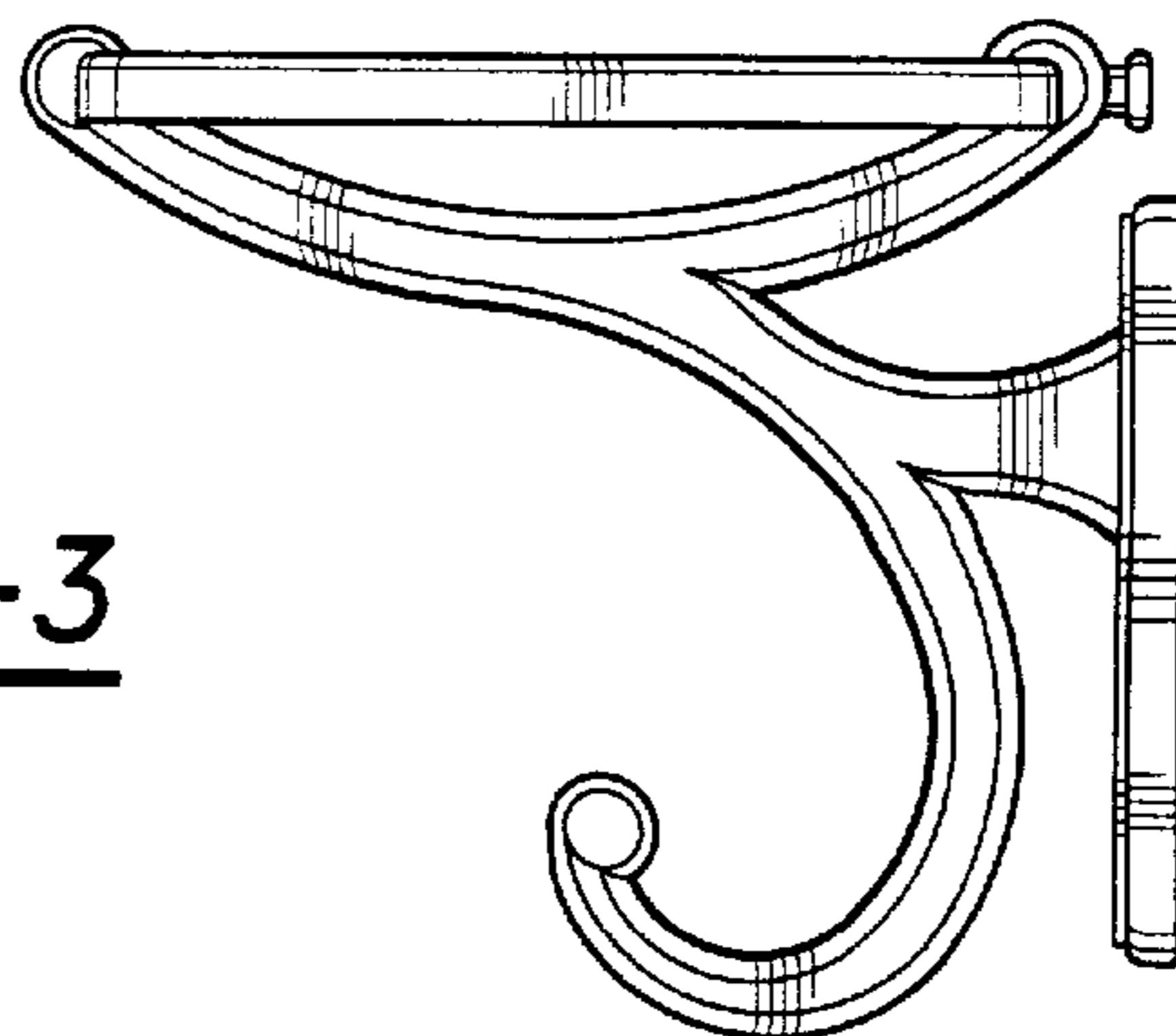


Fig-3

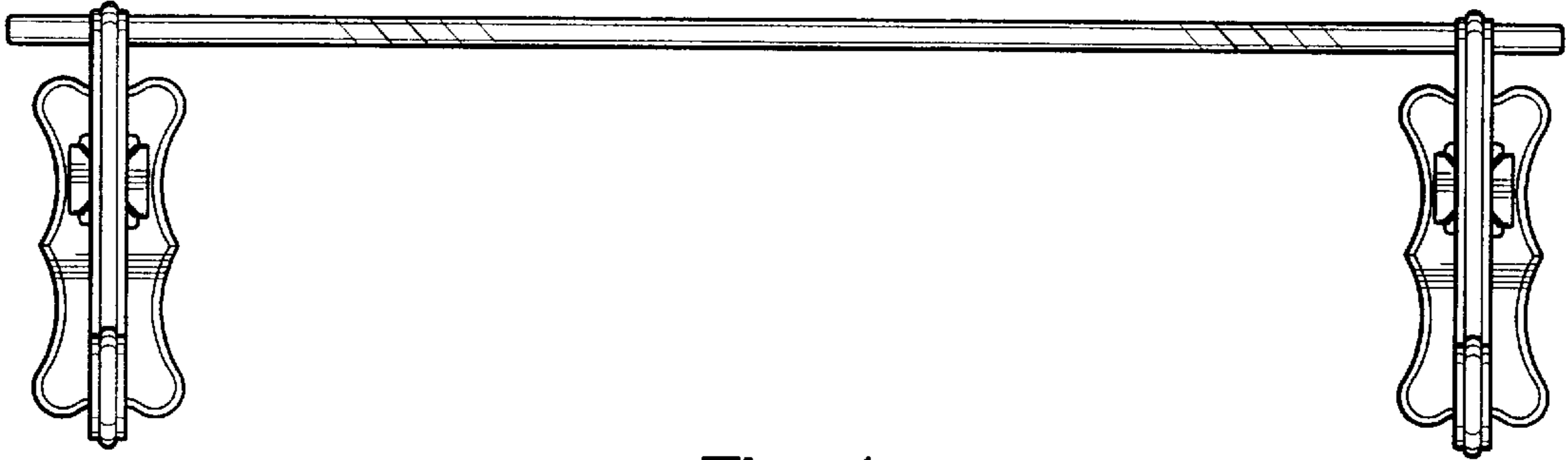


Fig-4

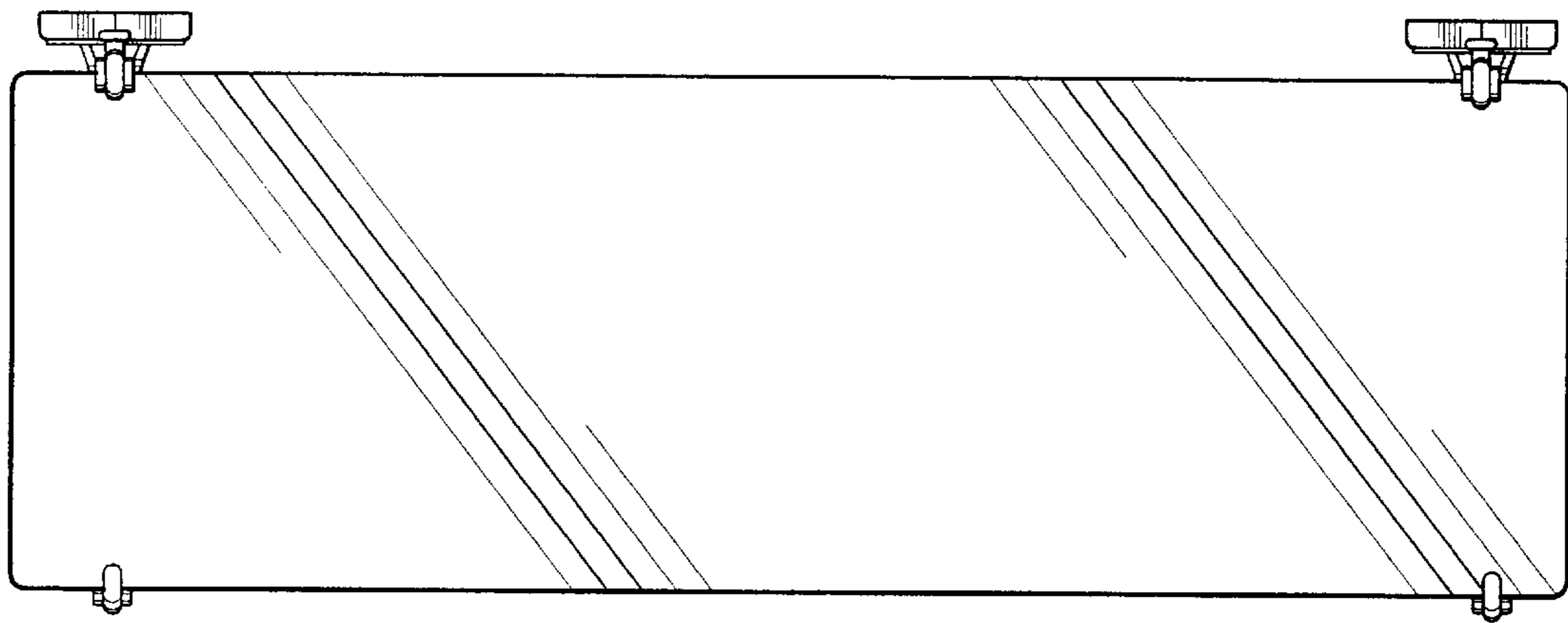


Fig-5

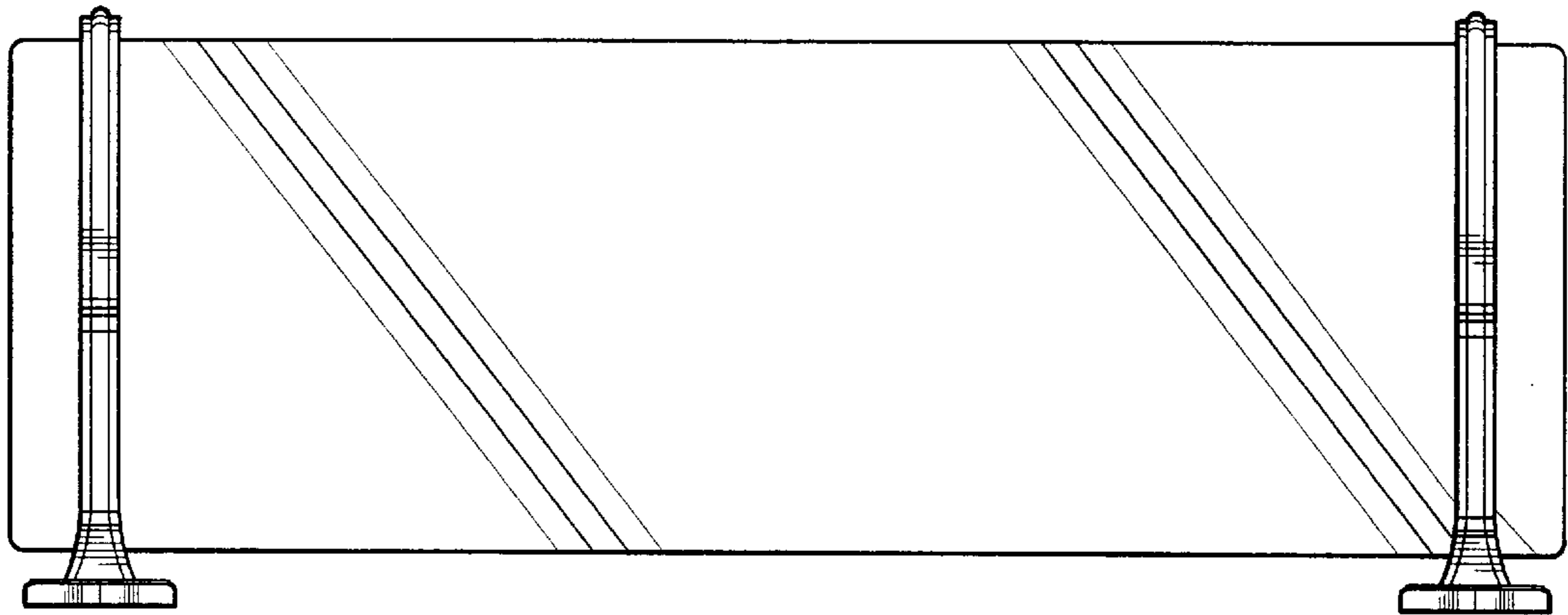


Fig-6

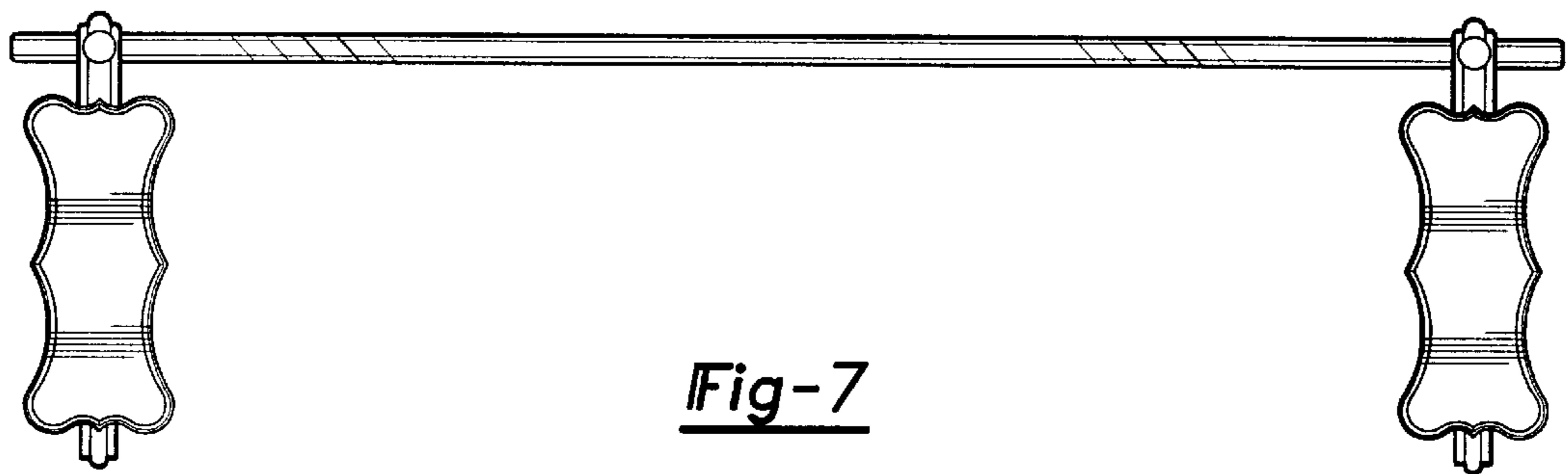


Fig-7