



US00D458070S

(12) **United States Design Patent**
Bennett et al.

(10) **Patent No.:** **US D458,070 S**

(45) **Date of Patent:** **** Jun. 4, 2002**

(54) **TOOL HANGER**

(75) Inventors: **Eric D. Bennett**, Williamstown, WV (US); **Steven F. Brooker**, Marietta, OH (US); **John R. Grishaber**, Parkersburg, WV (US)

(73) Assignee: **Ames True Temper, Inc.**, Camp Hill, PA (US)

(**) Term: **14 Years**

(21) Appl. No.: **29/143,746**

(22) Filed: **Jun. 20, 2001**

(51) **LOC (7) Cl.** **06-04**

(52) **U.S. Cl.** **D6/567**

(58) **Field of Search** D6/553, 552, 567,
D6/569, 572, 574; 211/13.1, 60.1, 70.6;
206/349

(56) **References Cited**

U.S. PATENT DOCUMENTS

2,805,777 A	9/1957	Larson	
3,187,902 A	6/1965	Nelson	
3,650,407 A	3/1972	Benham, Jr.	
4,108,313 A	8/1978	Bogar, Jr.	
4,199,070 A	4/1980	Magnussen, Jr.	
4,310,094 A	1/1982	Hotchkiss, Jr.	
4,326,761 A *	4/1982	Schwartz	211/13.1 X
4,372,450 A	2/1983	Licari et al.	
4,778,065 A	10/1988	Chiarot	
D299,481 S	1/1989	Handler et al.	
D299,687 S *	2/1989	Handler et al.	D6/574
D310,762 S	9/1990	Embree et al.	
D313,915 S	1/1991	Adams et al.	

D324,314 S	3/1992	Licari et al.	
5,097,966 A	3/1992	Miller	
D372,620 S	8/1996	Tisbo	
5,669,515 A	9/1997	Tisbo et al.	
D392,142 S *	3/1998	Weisburn et al.	D6/567
D392,144 S *	3/1998	Vogler	D6/574
5,743,416 A	4/1998	Yemini	
D394,775 S *	6/1998	Anderson et al.	D6/574
5,853,092 A	12/1998	Goodman et al.	

* cited by examiner

Primary Examiner—Brian N. Vinson

(74) *Attorney, Agent, or Firm*—Pillsbury Winthrop LLP

(57) **CLAIM**

The ornamental design for a tool hanger, as shown and described.

DESCRIPTION

A portion of the disclosure of this patent document contains material to which a claim for copyright is made. The copyright owner has no objection to the facsimile reproduction of the patent document or the patent disclosure, as it appears in the Patent and Trademark Office patent file or records, but reserves all other copyrights whatsoever.

FIG. 1 is a perspective view of a tool hanger embodying our new design;

FIG. 2 is front elevational view of the tool hanger of FIG. 1;

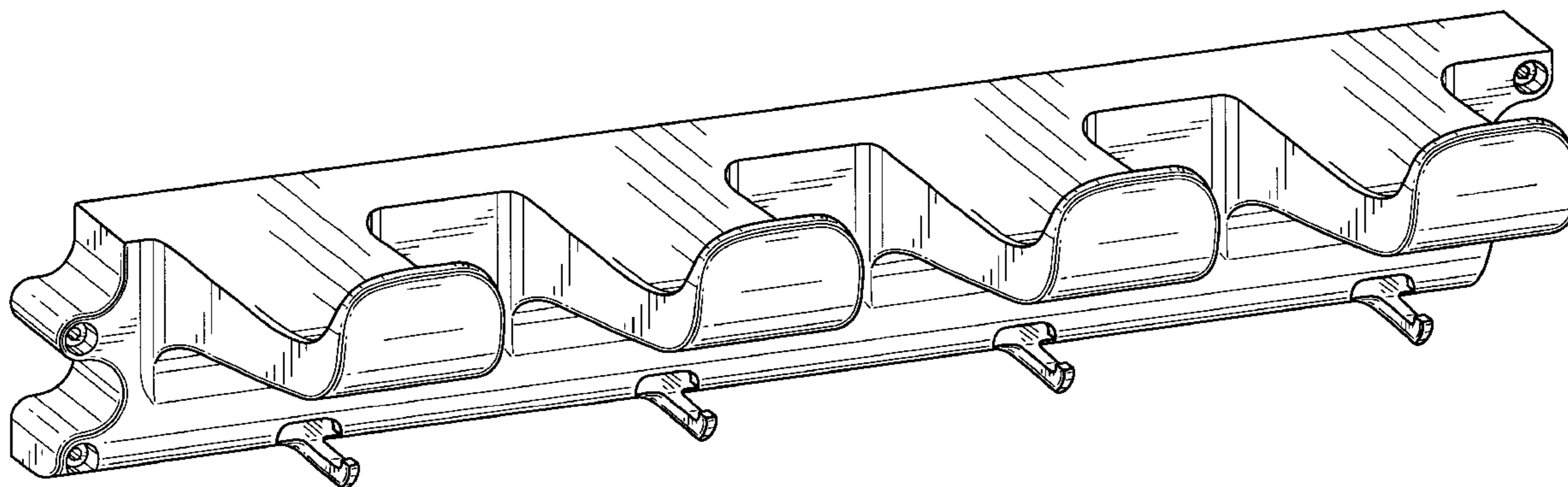
FIG. 3 is a bottom plan view of the tool hanger of FIG. 1;

FIG. 4 is a top plan view the tool hanger of FIG. 1;

FIG. 5 is a left side profile view of the tool hanger FIG. 1; and,

FIG. 6 is a right side profile view of the tool hanger of FIG. 1.

1 Claim, 5 Drawing Sheets



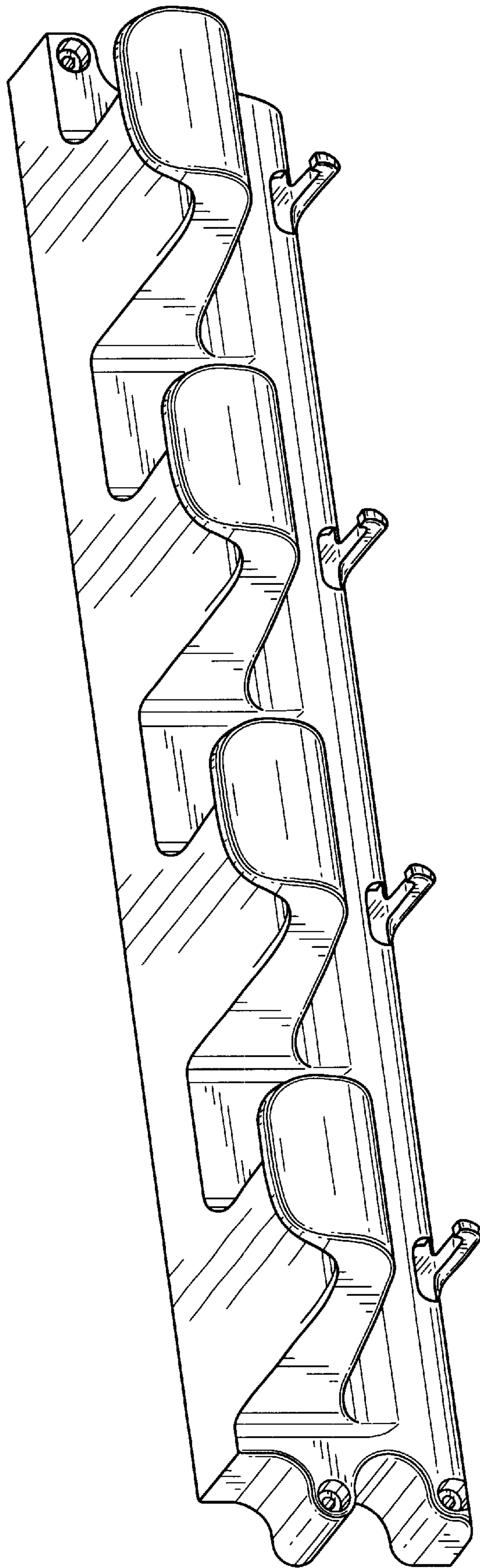


FIG. 1

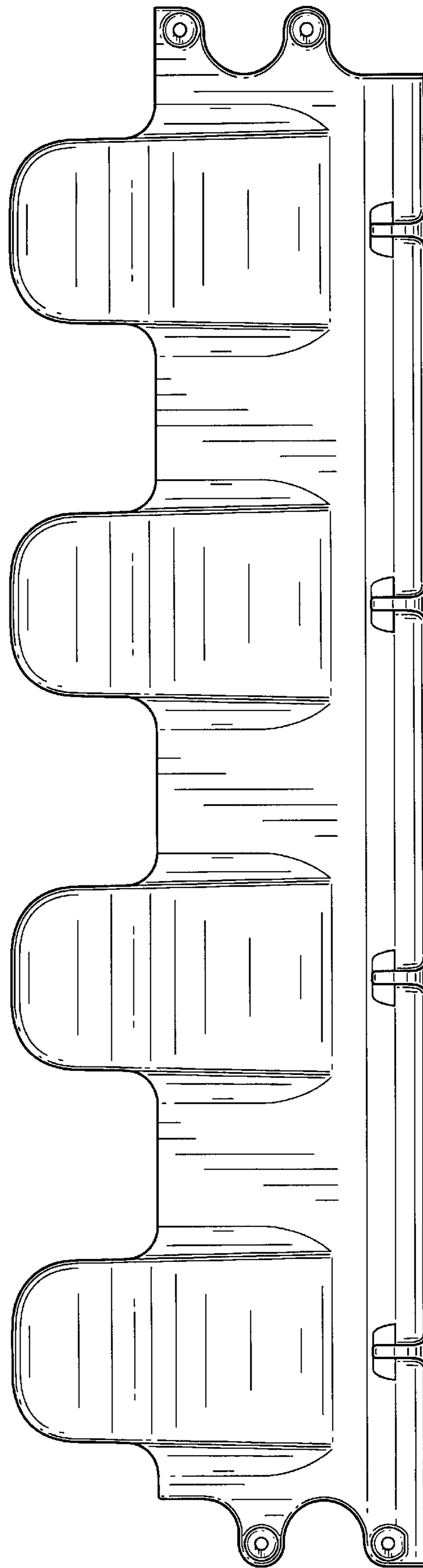


FIG. 2

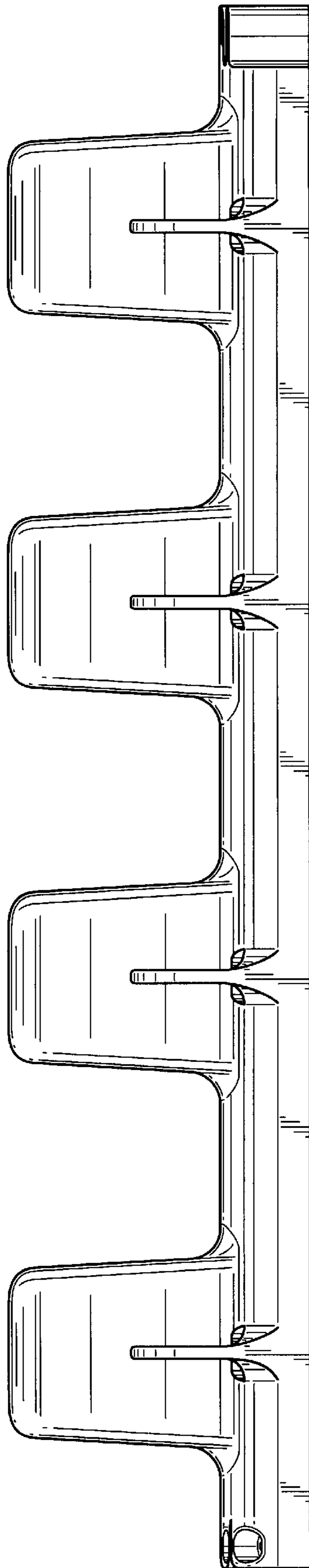


FIG. 3

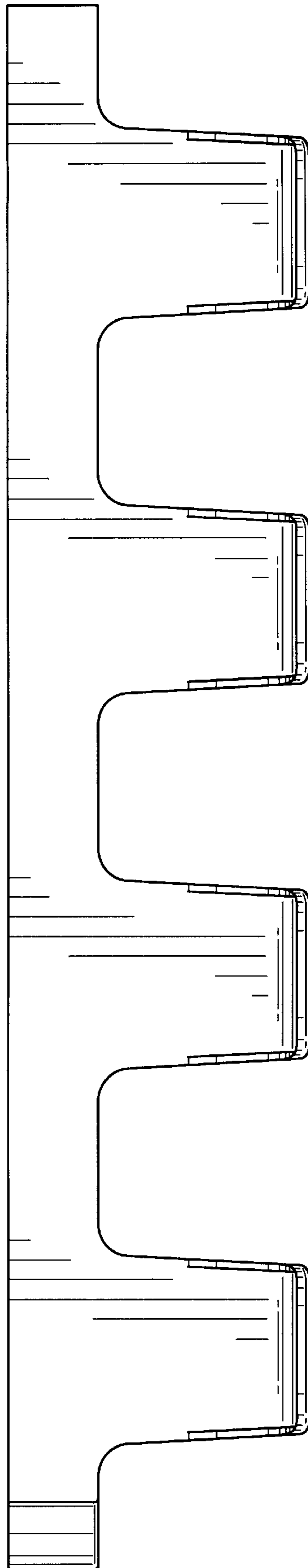


FIG. 4

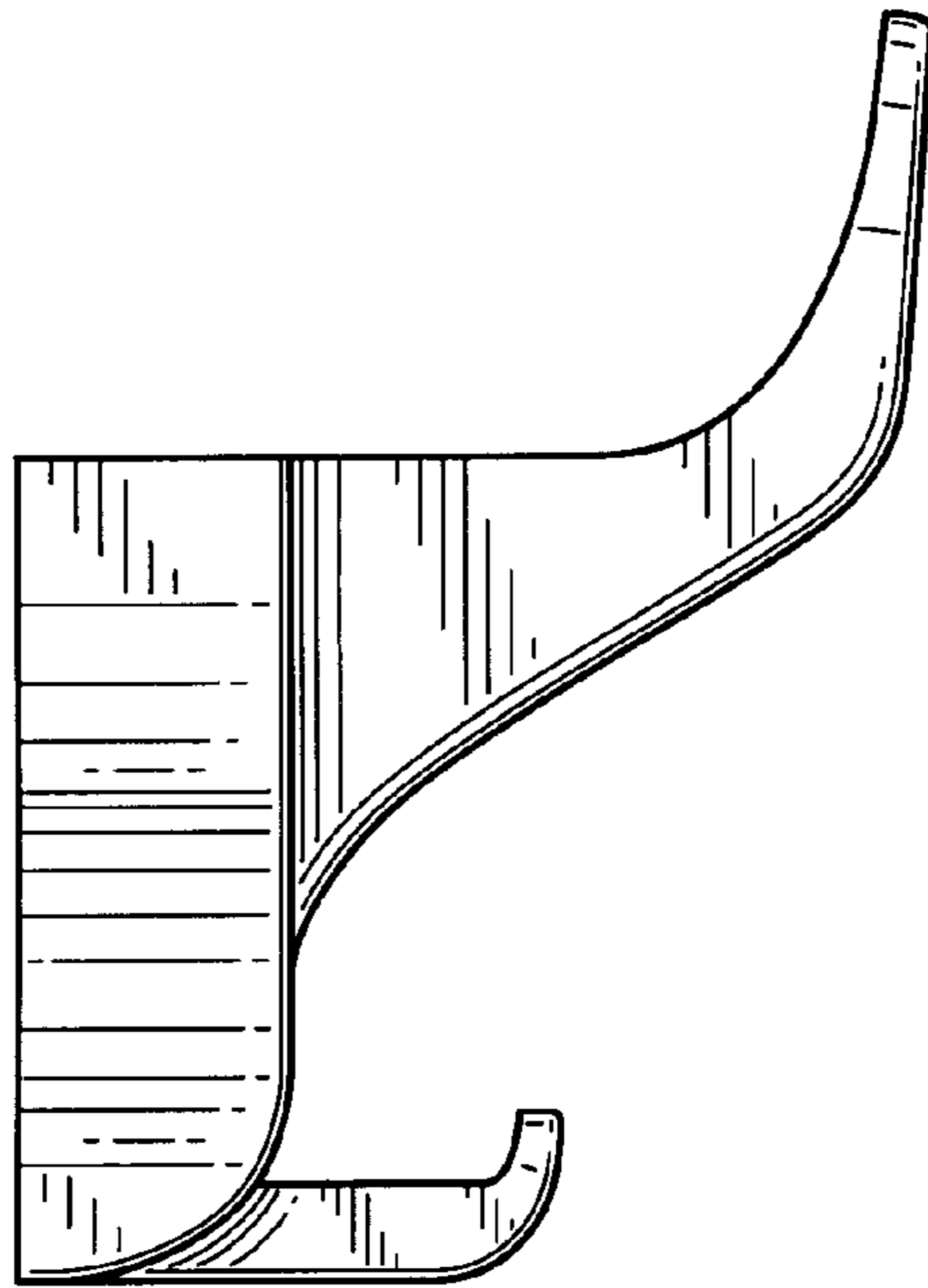


FIG. 5

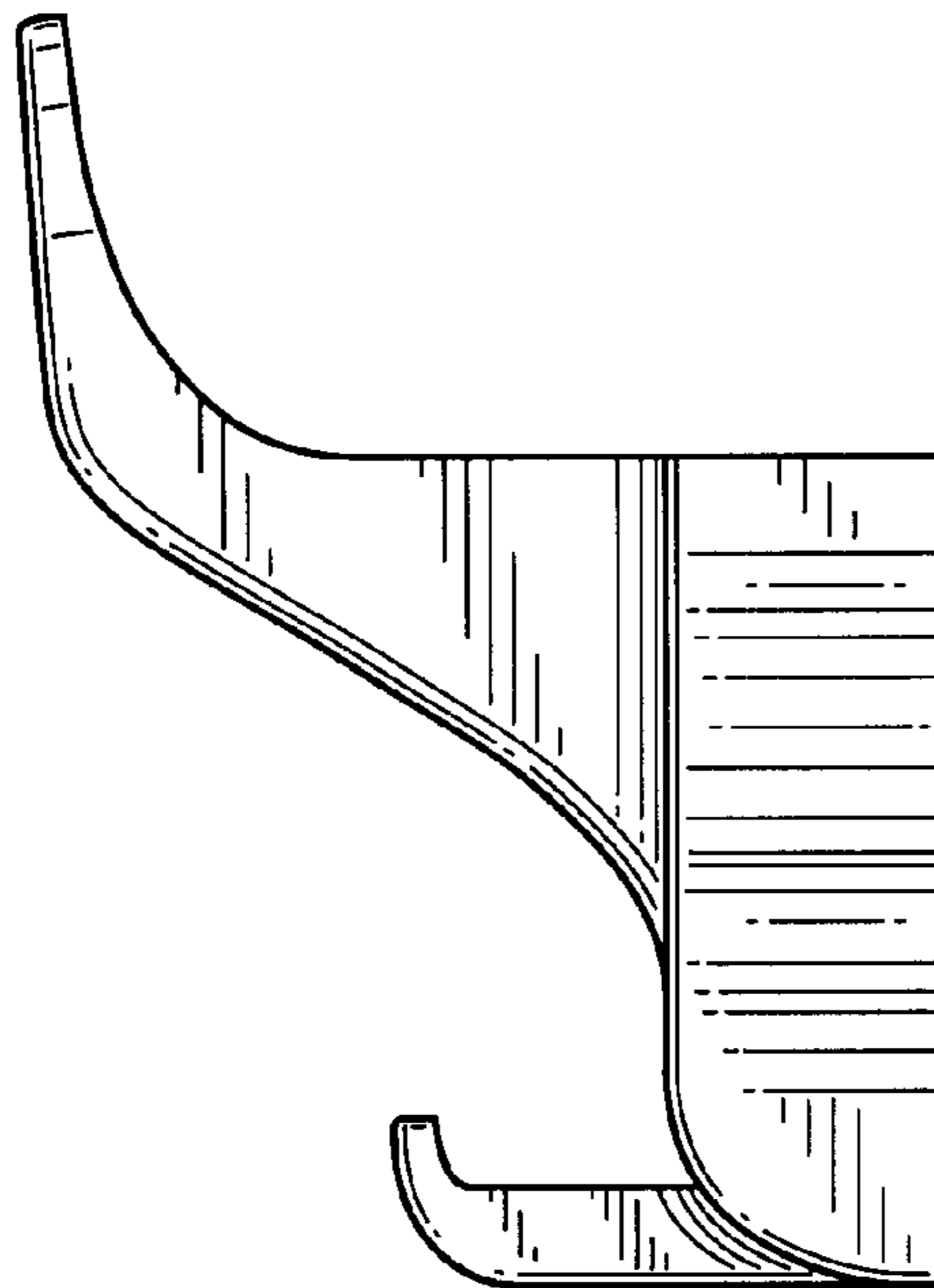


FIG. 6