



US00D458069S

(12) **United States Design Patent**
Shiflet

(10) **Patent No.:** **US D458,069 S**

(45) **Date of Patent:** **** Jun. 4, 2002**

(54) **GOLF BAG TAG POLE RACK**

(76) Inventor: **Douglas F. Shiflet**, 4111 Maystair Way,
Hilliard, OH (US) 43026

(**) Term: **14 Years**

(21) Appl. No.: **29/127,438**

(22) Filed: **Aug. 4, 2000**

(51) **LOC (7) Cl.** **08-08**

(52) **U.S. Cl.** **D6/552; D21/759**

(58) **Field of Search** D6/512-514, 552,
D6/553, 566, 567, 569, 572; D21/319,
733, 735, 753, 759; 211/13.1, 85.9, 44,
70.6, 86.01, 88.04, 89.01, 113, 181.1; 248/176.1,
304, 309.1, 317

(56) **References Cited**

U.S. PATENT DOCUMENTS

- D119,760 S * 4/1940 Kopp D6/572 X
- D165,553 S * 12/1951 Schoor D6/572
- D250,925 S * 1/1979 Flanigan et al. D6/552
- D280,046 S * 8/1985 Benedict D6/513 X
- 4,586,616 A * 5/1986 Cooper et al. 211/88.04
- D324,793 S * 3/1992 Johnson D6/552

- D325,474 S * 4/1992 Jackson D6/569 X
- D351,305 S * 10/1994 Law D6/567
- D387,933 S * 12/1997 Effron D6/566
- D388,645 S * 1/1998 Whang D6/566 X
- D390,737 S * 2/1998 Strnad D6/552
- D416,423 S * 11/1999 Green D6/572
- D433,857 S * 11/2000 Nguyen D6/566 X

* cited by examiner

Primary Examiner—Brian N. Vinson

(74) *Attorney, Agent, or Firm*—Crosby, Heafey, Roach &
May; J. William Wigert, Jr.

(57) **CLAIM**

The ornamental design for a golf bag tag pole rack, as shown
and described.

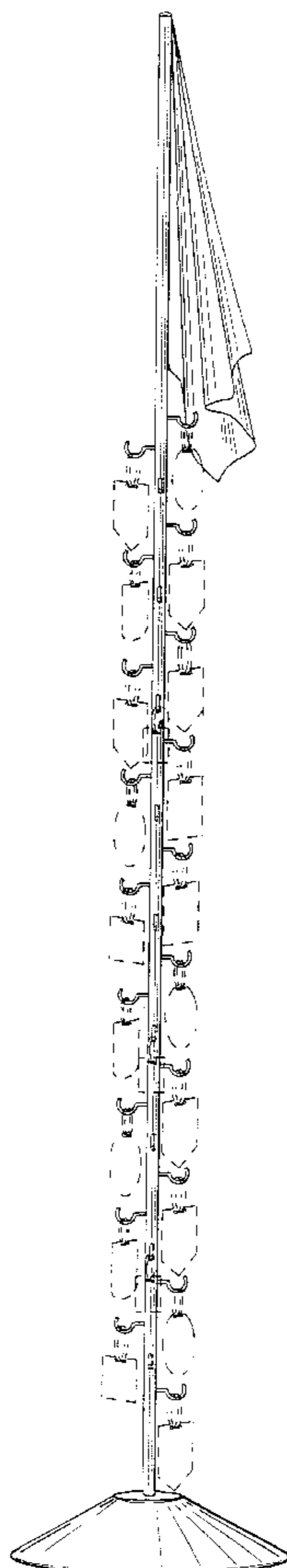
DESCRIPTION

FIG. 1 is a top and front perspective view of a golf bag tag
pole rack showing my new design, the broken-line disclo-
sure of golf tags being for illustrative purposes only and
forming no part of the claimed design;

FIG. 2 is a front elevational view thereof; and,

FIG. 3 is an enlarged top plan view thereof.

1 Claim, 1 Drawing Sheet



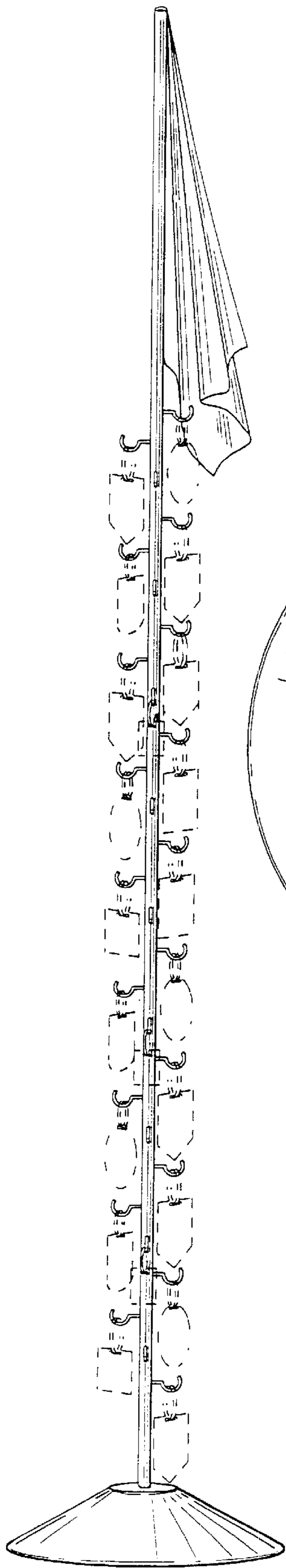


FIG. 1

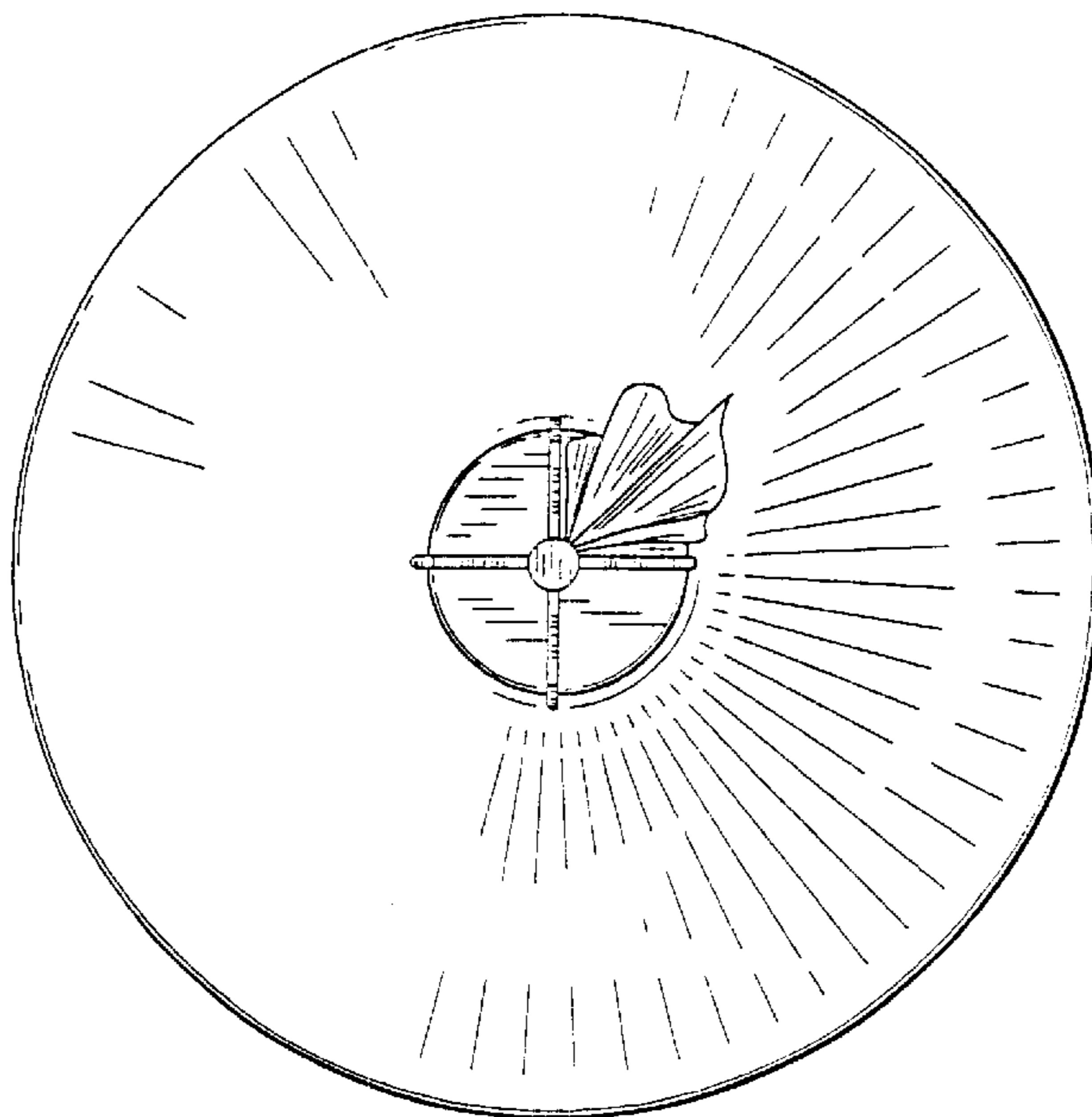


FIG. 3

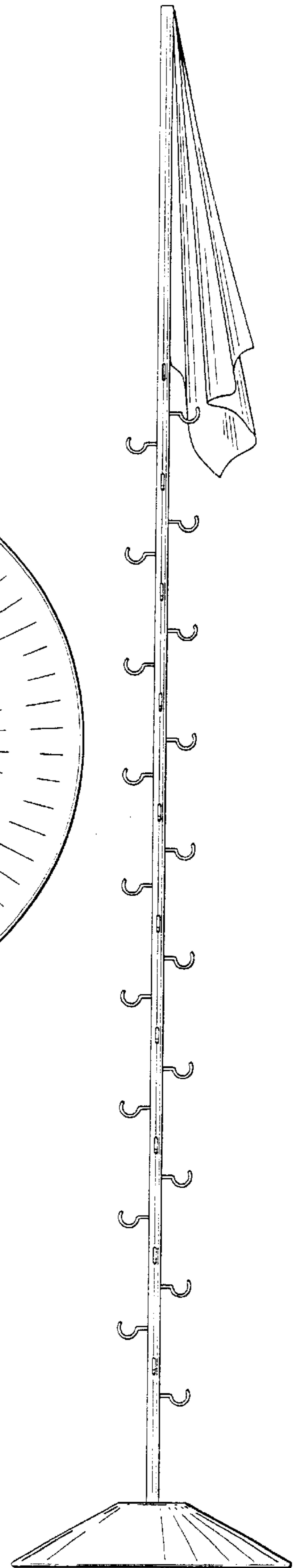


FIG. 2