



US00D458063S

(12) **United States Design Patent**
List, Jr. et al.

(10) **Patent No.:** **US D458,063 S**

(45) **Date of Patent:** **** Jun. 4, 2002**

(54) **TRANSPARENT BOX LOCKER DOOR WITH SINGLE POINT RECESSED HANDLE**

D381,839 S * 8/1997 Dorigo D6/470
6,213,576 B1 * 4/2001 Muller et al. 312/223.1

(76) Inventors: **Herbert A. List, Jr.; Michael Strange,**
both of 401 NW. 12th Ave., Deerfield
Beach, FL (US) 33442

* cited by examiner

Primary Examiner—Cathron C. Brooks

(74) *Attorney, Agent, or Firm*—Robert M. Downey, P.A.

(**) Term: **14 Years**

(57) **CLAIM**

(21) Appl. No.: **29/137,333**

The ornamental design for a transparent box locker door with single point recessed handle, as shown and described.

(22) Filed: **Feb. 17, 2001**

DESCRIPTION

(51) **LOC (7) Cl.** **06-06**

(52) **U.S. Cl.** **D6/509**

(58) **Field of Search** D6/397, 432, 433,
D6/436, 437, 438, 440, 441, 445, 446,
448, 491, 470; 312/107, 204, 213, 284,
114, 138.1; 206/557

FIG. 1 is a front top perspective view of a transparent box locker door showing our new design;

FIG. 2 is a bottom plan view thereof, the top plan view being identical to the bottom plan view;

FIG. 3 is a rear elevational view thereof;

FIG. 4 is a left end elevational view thereof, the right end elevational view being identical to the left end elevational view;

FIG. 5 is a top front perspective view of a transparent box locker door showing a further embodiment of our new design; and,

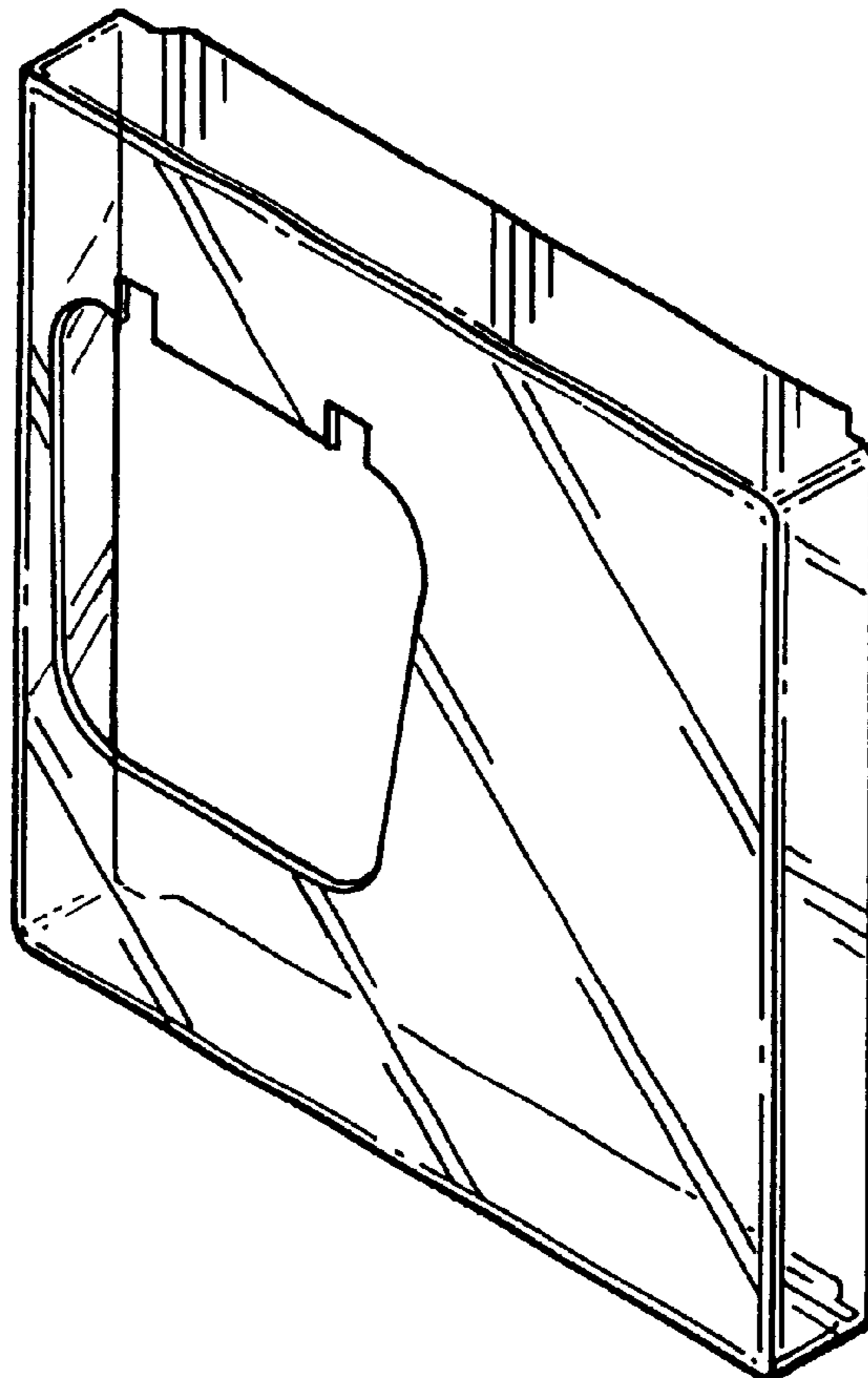
FIG. 6 is a front top perspective view of a transparent box locker door showing yet a further embodiment of our new design.

(56) **References Cited**

U.S. PATENT DOCUMENTS

- 4,255,001 A * 3/1981 Frishman 312/114
- D278,495 S * 4/1985 Rattner D6/470
- D292,249 S * 10/1987 Stade D6/406.3
- D296,634 S * 7/1988 Suttles D6/492
- D297,490 S * 9/1988 Suttles D6/492
- D322,725 S * 12/1991 Strickland, III D6/631
- D368,588 S * 4/1996 Goraleski et al. D6/300
- D370,568 S * 6/1996 Wynne D6/306

1 Claim, 2 Drawing Sheets



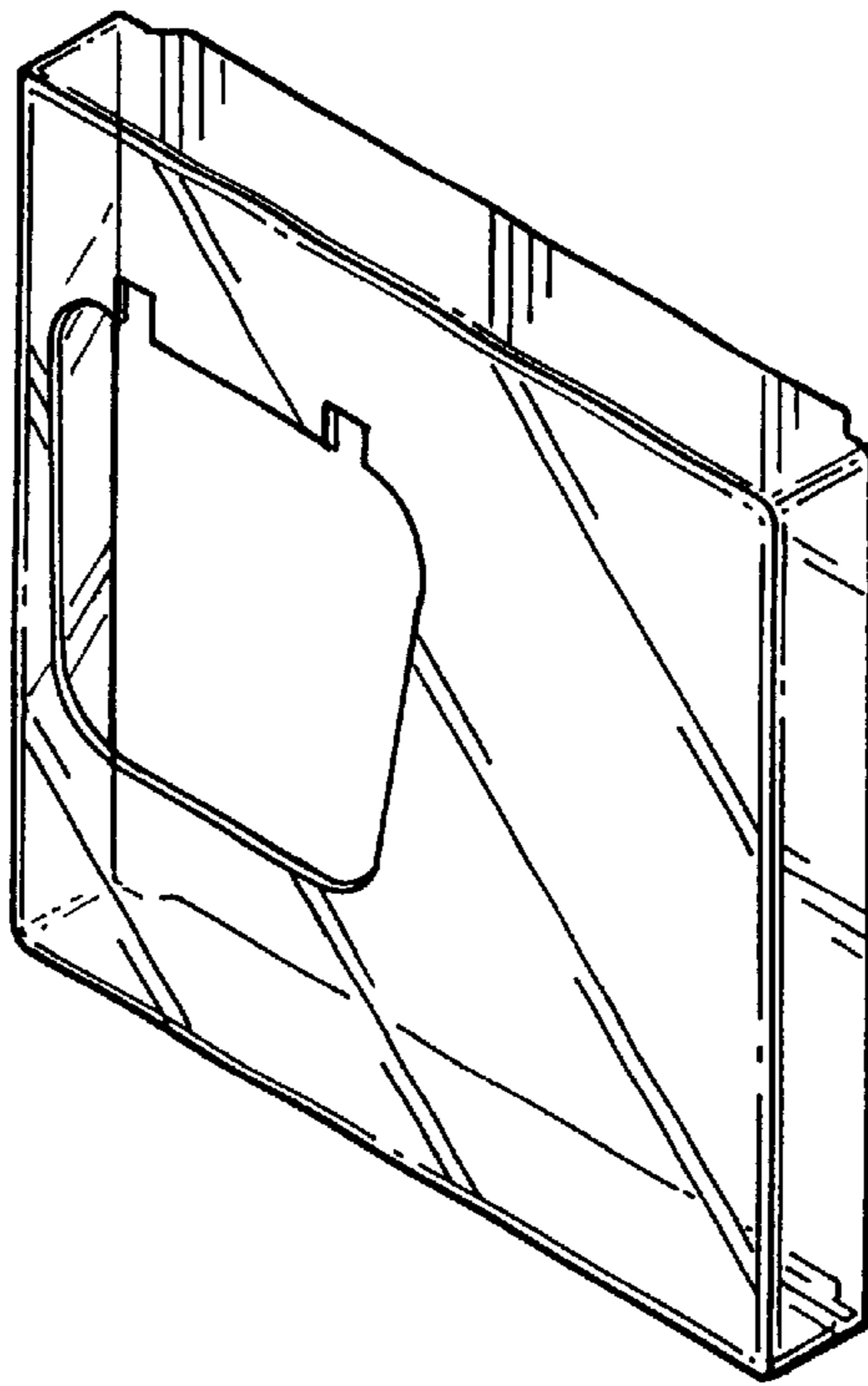


FIG. 1

FIG. 2

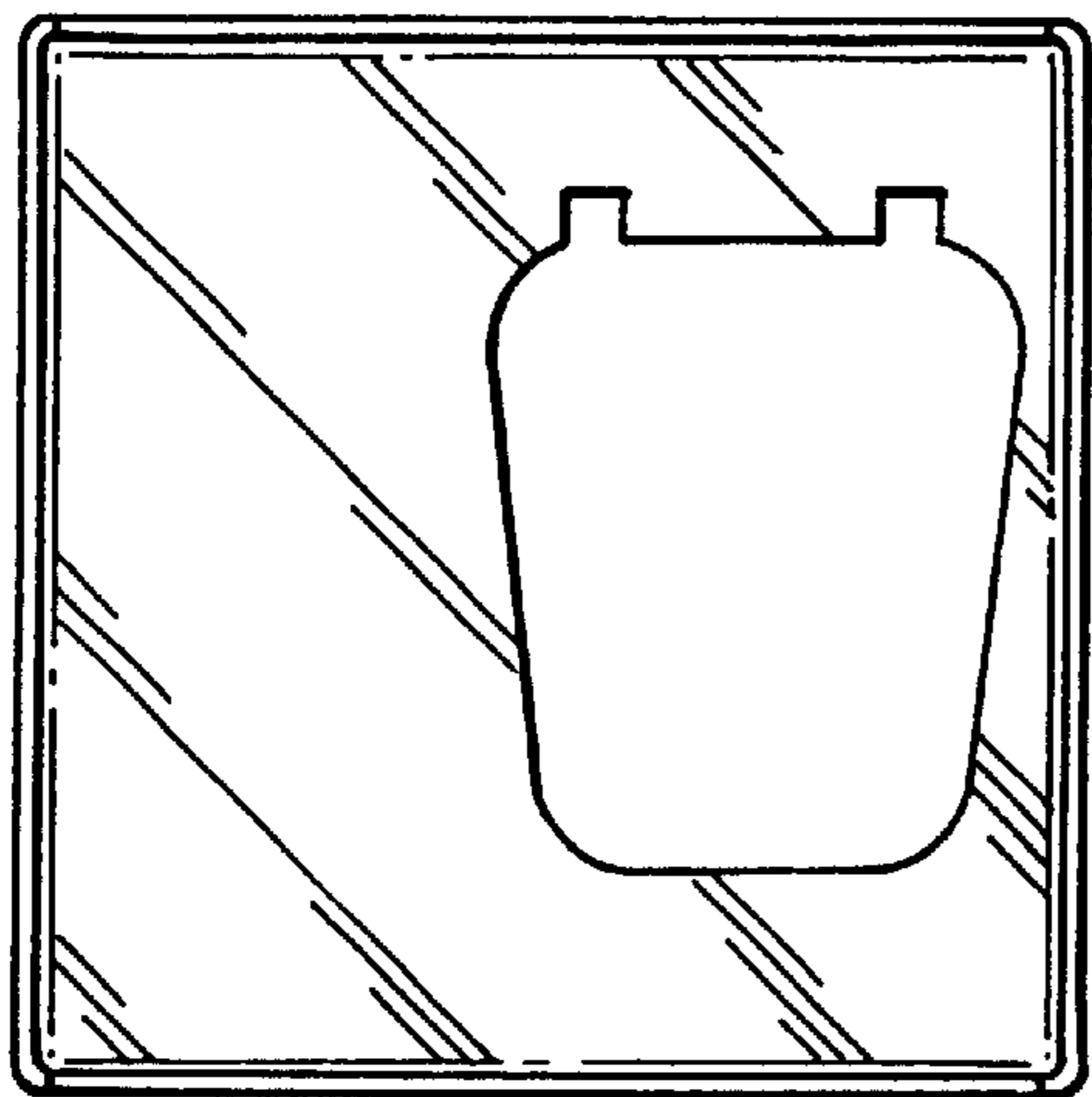


FIG. 3



FIG. 4

FIG. 5

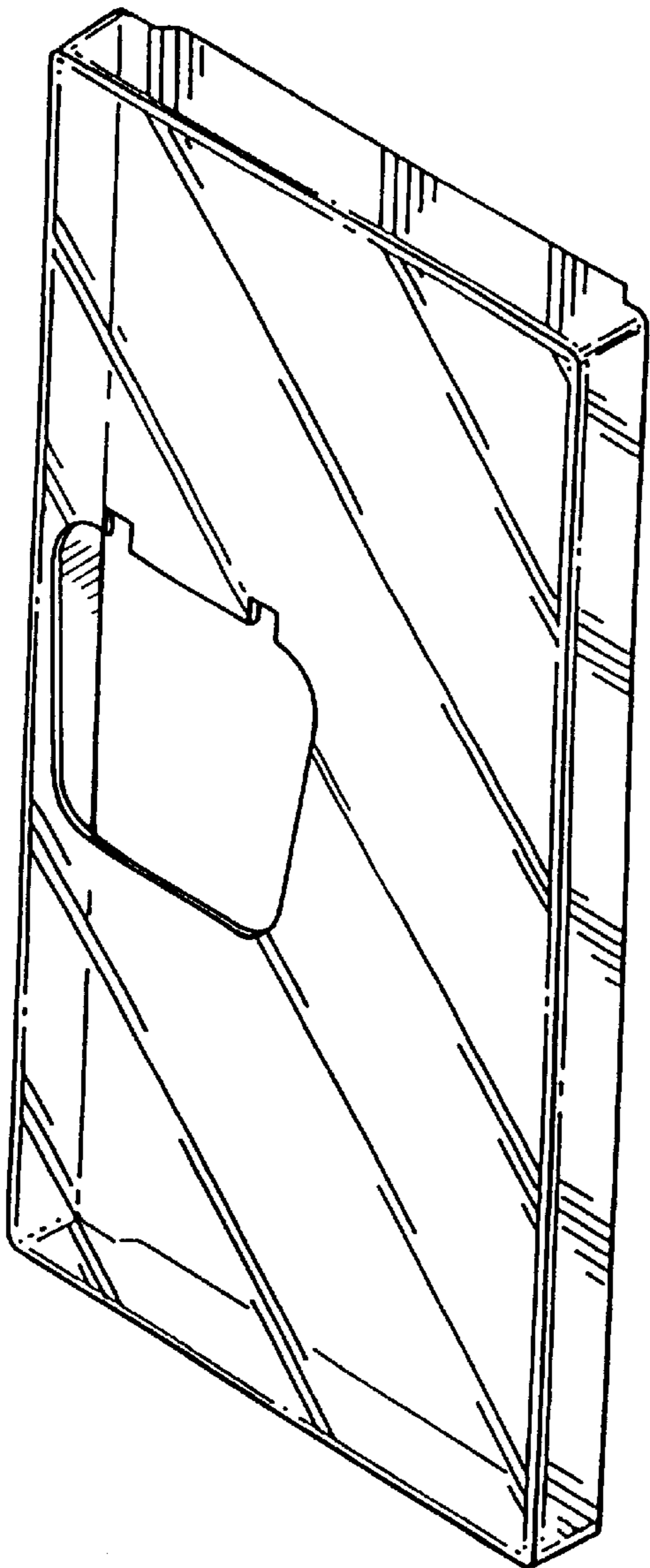
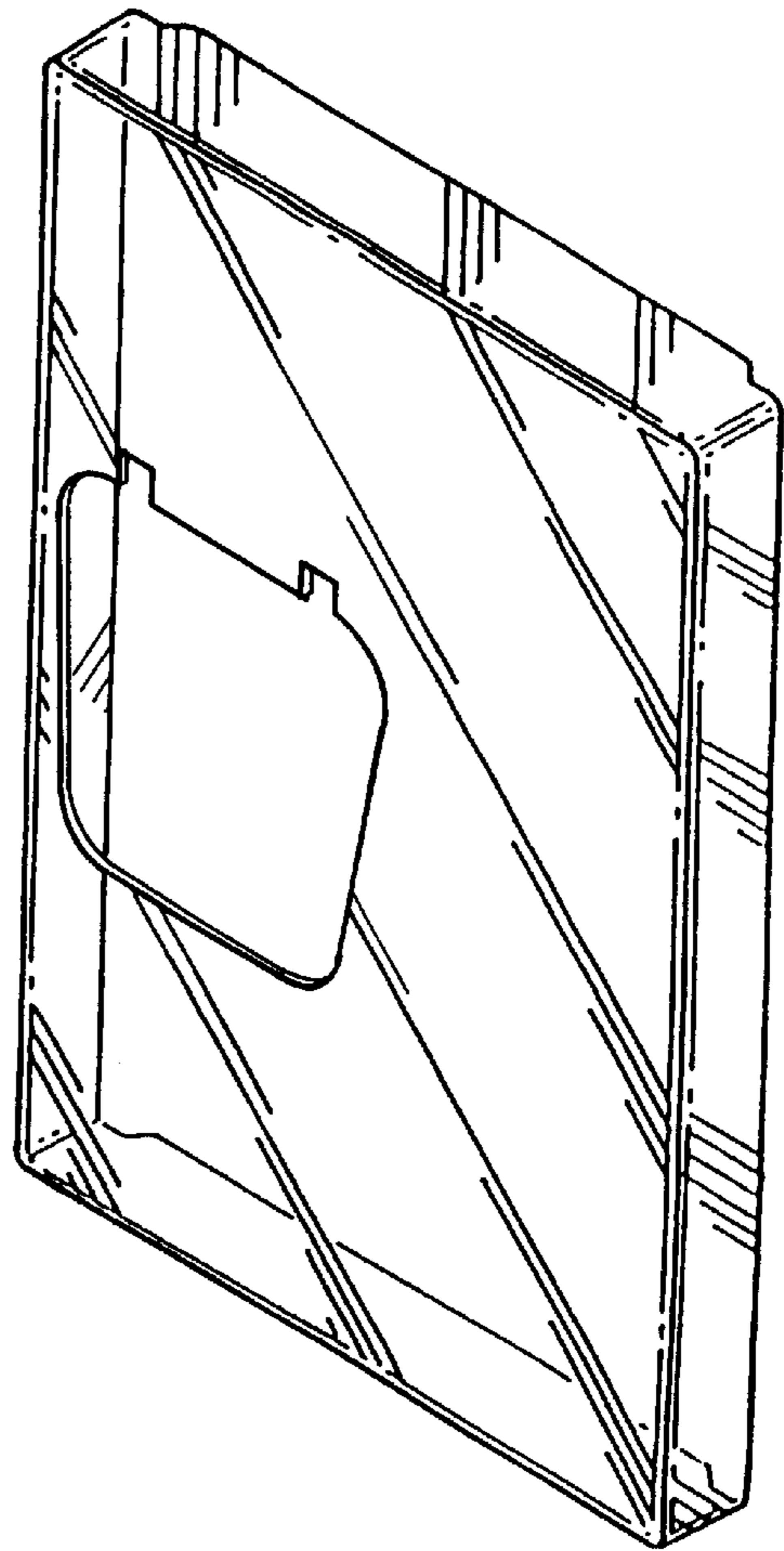


FIG. 6