



US00D458059S

(12) **United States Design Patent**
Dudley

(10) **Patent No.:** **US D458,059 S**

(45) **Date of Patent:** **** Jun. 4, 2002**

(54) **MULTIPLE FOODSERVICE UNITS**

(75) **Inventor:** **William R. Dudley**, Lawrenceville, GA (US)

(73) **Assignee:** **Duke Manufacturing Company**, St. Louis, MO (US)

(**) **Term:** **14 Years**

(21) **Appl. No.:** **29/130,208**

(22) **Filed:** **Sep. 28, 2000**

(51) **LOC (7) Cl.** **06-06**

(52) **U.S. Cl.** **D6/495; D6/396; D6/509**

(58) **Field of Search** D6/396, 397, 402, D6/411, 413, 414, 423, 436, 470, 495, 481; D20/41, 42; 211/182, 184; 312/140.4, 351.2; 261/DIG. 14

(56) **References Cited**

U.S. PATENT DOCUMENTS

2,894,604	A	7/1959	McMillan	
2,900,045	A	8/1959	Conklin et al.	
3,170,541	A	2/1965	Werner	
3,874,479	A	4/1975	Onori et al.	
D264,907	S	* 6/1982	Barnhill D6/471 X
5,163,536	A	* 11/1992	Tuhro et al. 193/38 X
5,413,135	A	5/1995	Poole	
D374,576	S	* 10/1996	Kaplan D6/481
5,943,828	A	* 8/1999	Samborn et al. 312/140.2 X
D427,801	S	* 7/2000	Cary, Jr. et al. D6/436 X
D427,808	S	* 7/2000	Bedard D6/470

* cited by examiner

Primary Examiner—Cathron C. Brooks

(74) *Attorney, Agent, or Firm*—R. G. Heywood

(57) **CLAIM**

The ornamental design for multiple foodservice units, as shown and described.

DESCRIPTION

FIG. 1 is a front perspective view showing one embodiment of multiple foodservice units,

FIG. 2 is a rear perspective view of the first embodiment of FIG. 1,

FIG. 3 is a front perspective view of a second embodiment of the invention,

FIG. 4 is a rear perspective view of the second embodiment of FIG. 3,

FIG. 5 is a front perspective view of a third embodiment of the invention,

FIG. 6 is a rear perspective view of the third embodiment of FIG. 5,

FIGS. 7A and 7B are front perspective views illustrating two sections of a fourth embodiment that match up substantially along the phantom line,

FIGS. 8A and 8B are plan views of the two sections of FIGS. 7A and 7B,

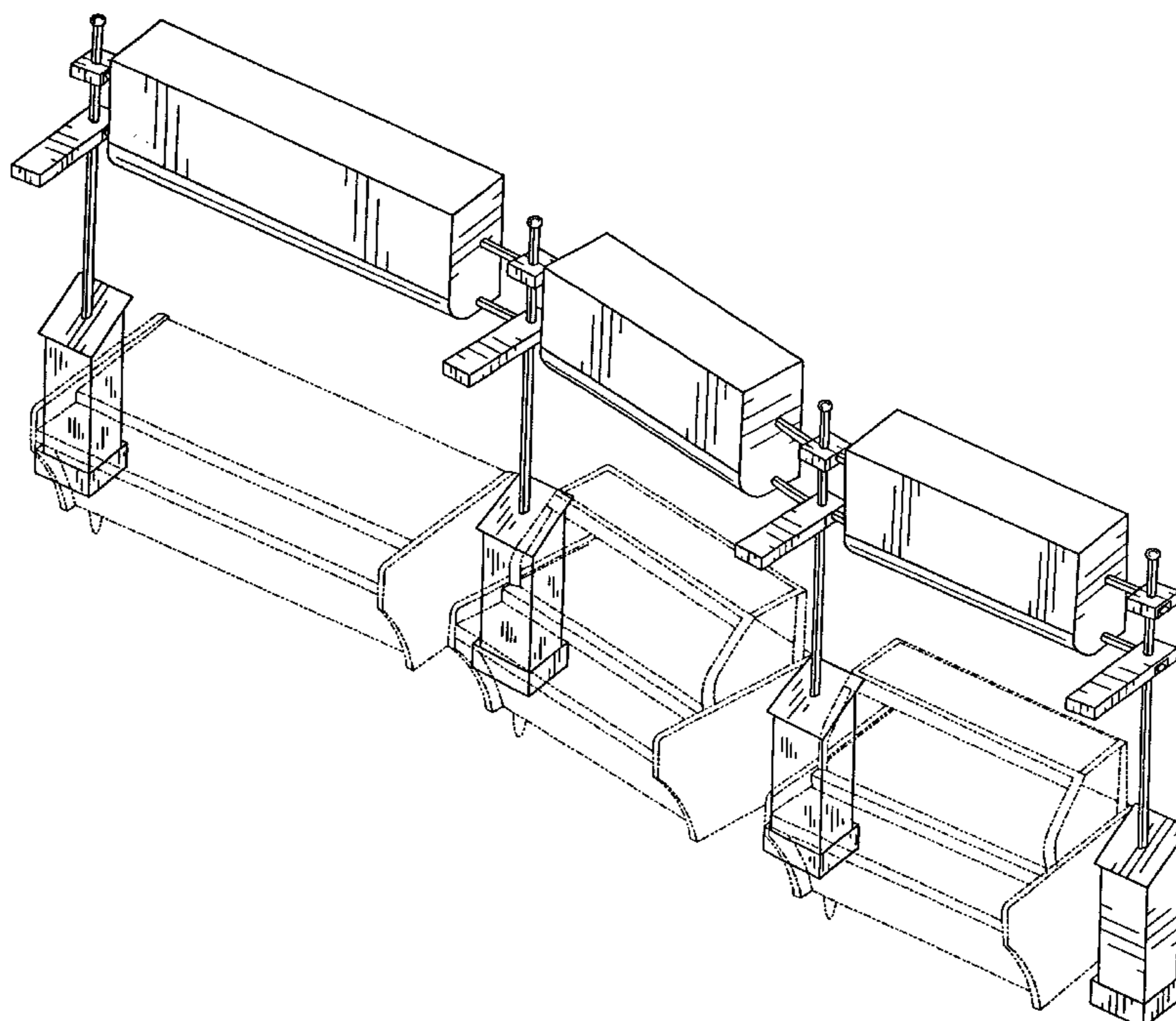
FIG. 9 is a front perspective view of a fifth embodiment of the invention; and,

FIG. 10 is a plan view of the fifth embodiment.

The broken lines shown are for illustrative purposes only and forms no part of the claimed design.

The characteristic features of the present design reside in the special relationship between multiple foodservice counters shown in phantom, and comprises intermediate and/or flanking pylons and upper canopies disposed over the counters and bridging between the pylons.

1 Claim, 8 Drawing Sheets



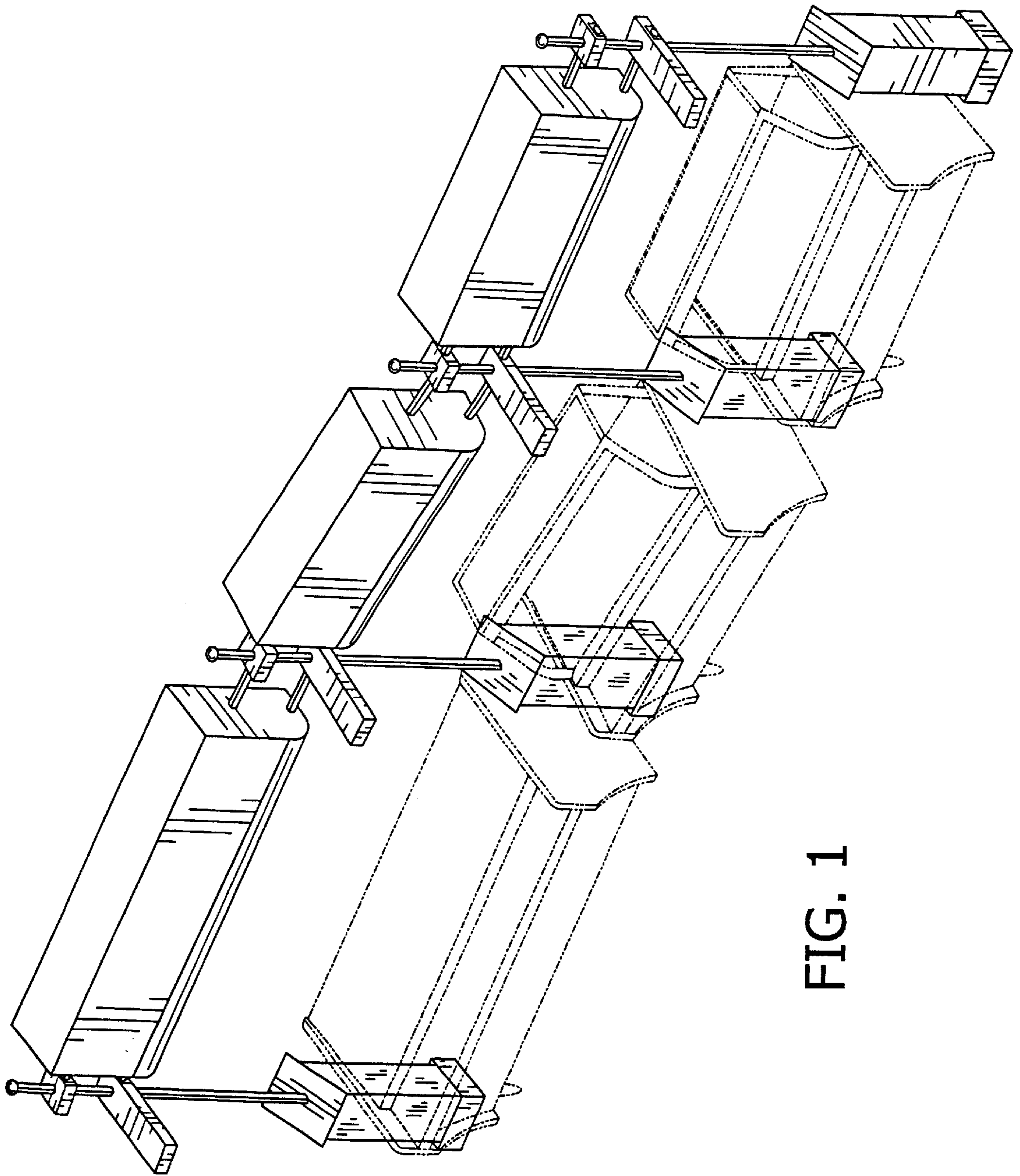


FIG. 1

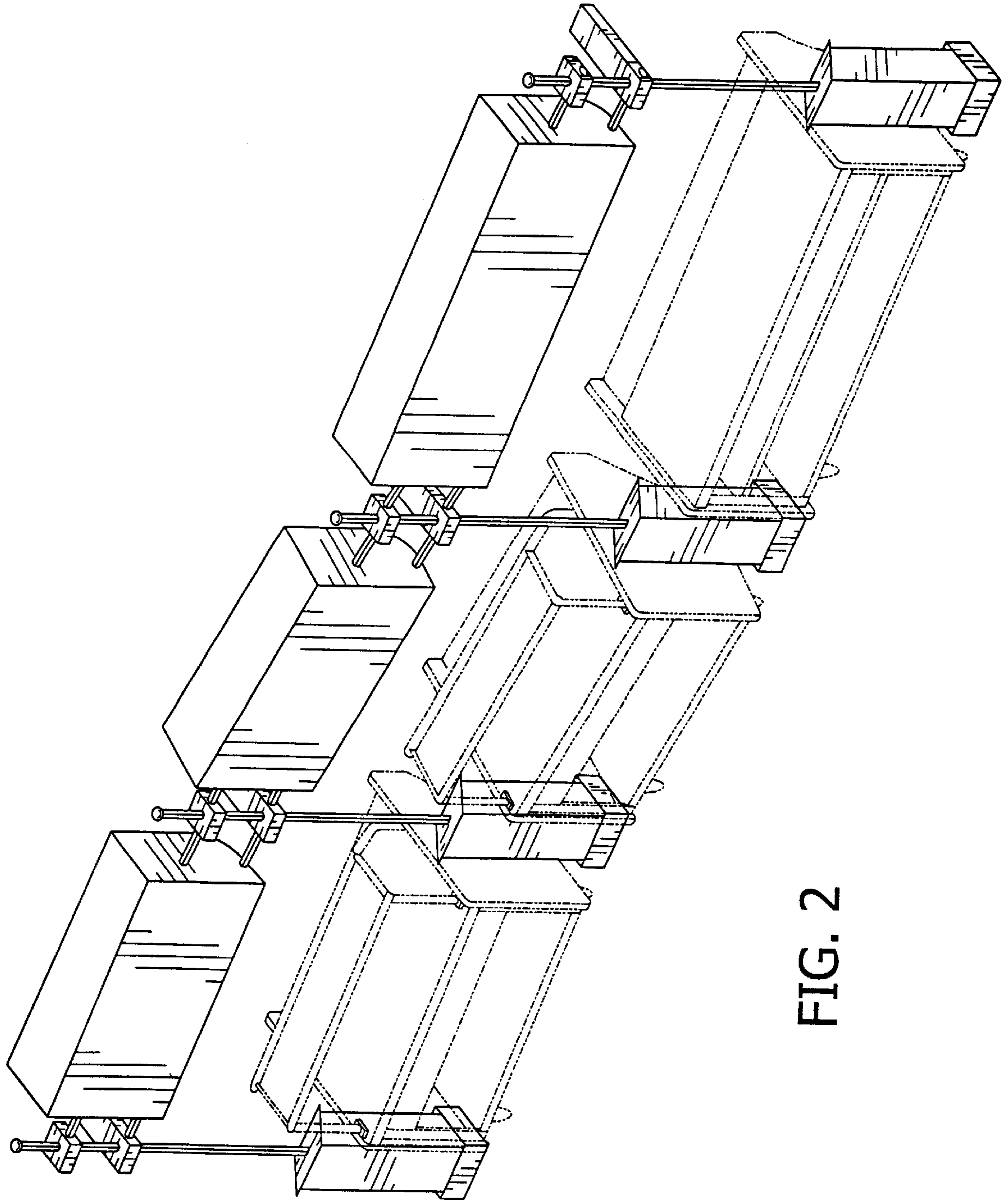


FIG. 2

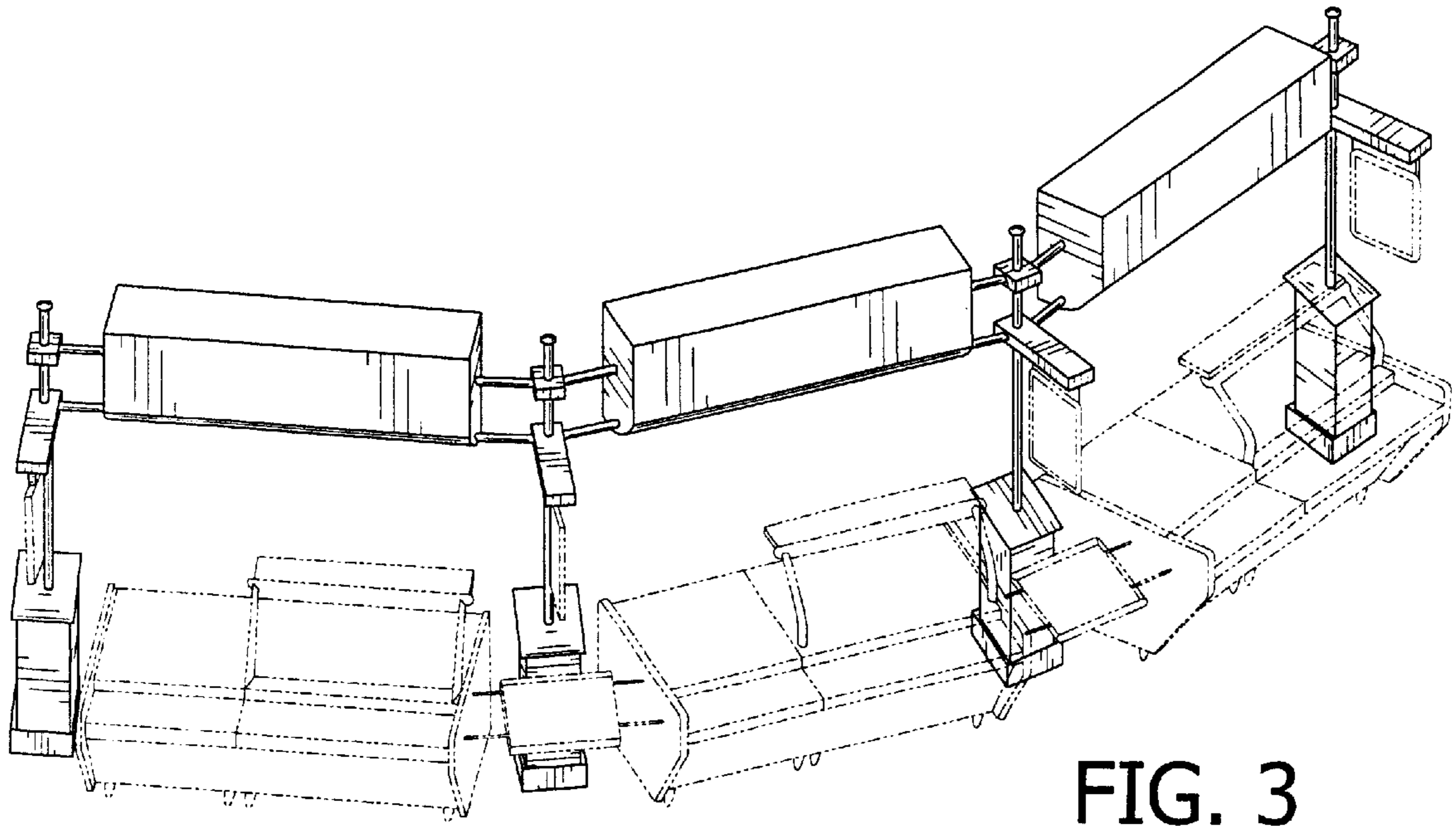


FIG. 3

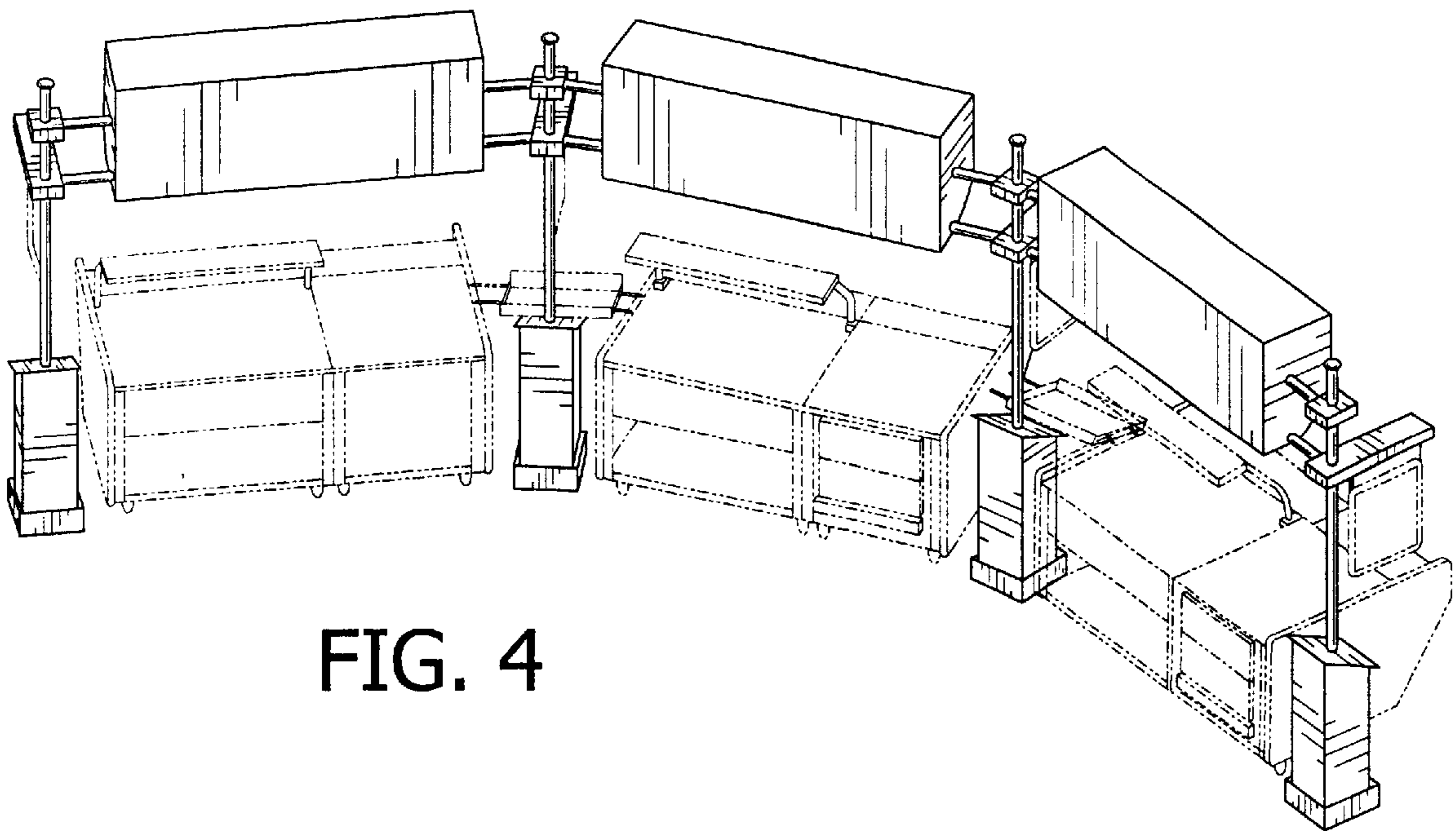


FIG. 4

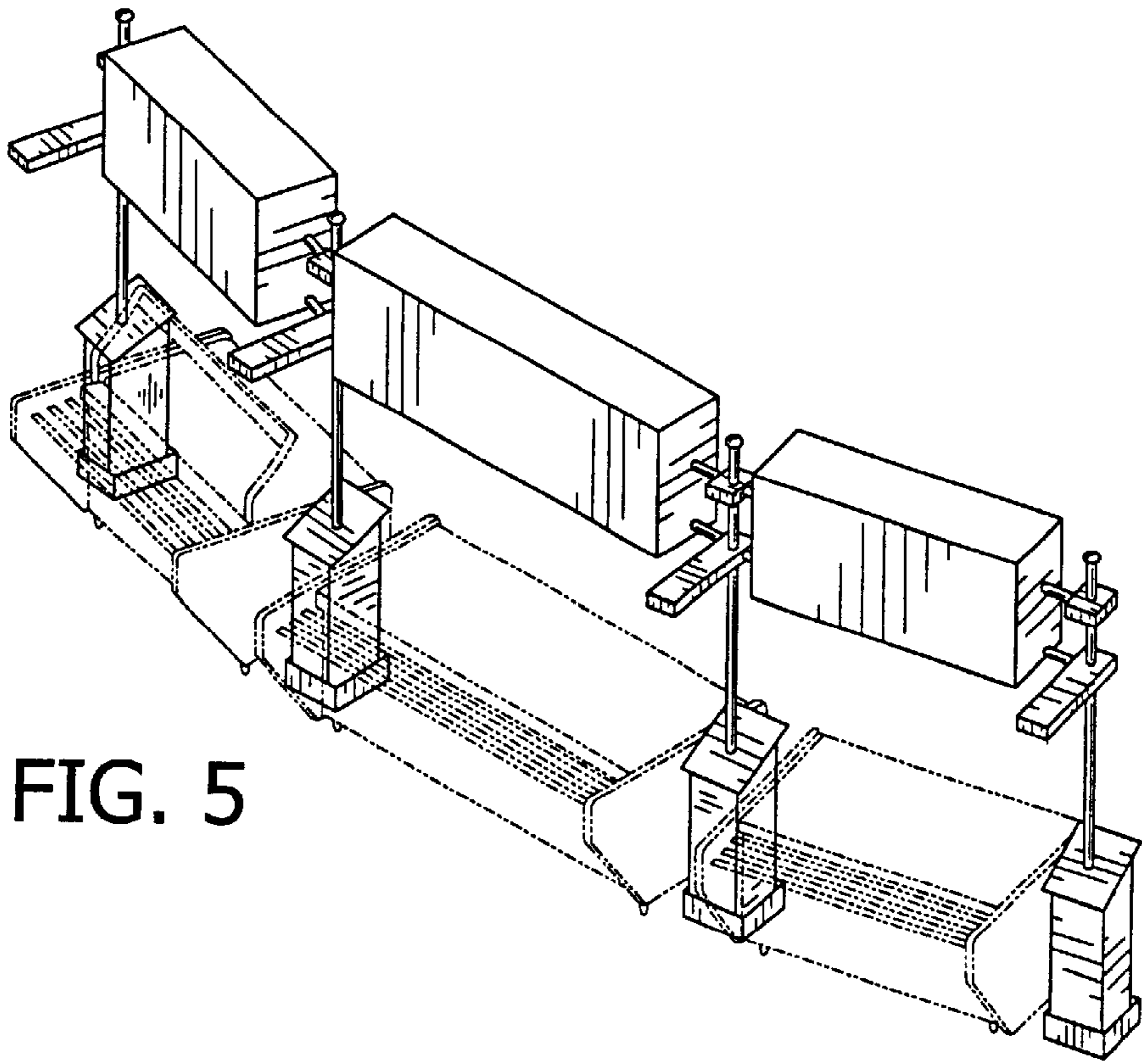


FIG. 5

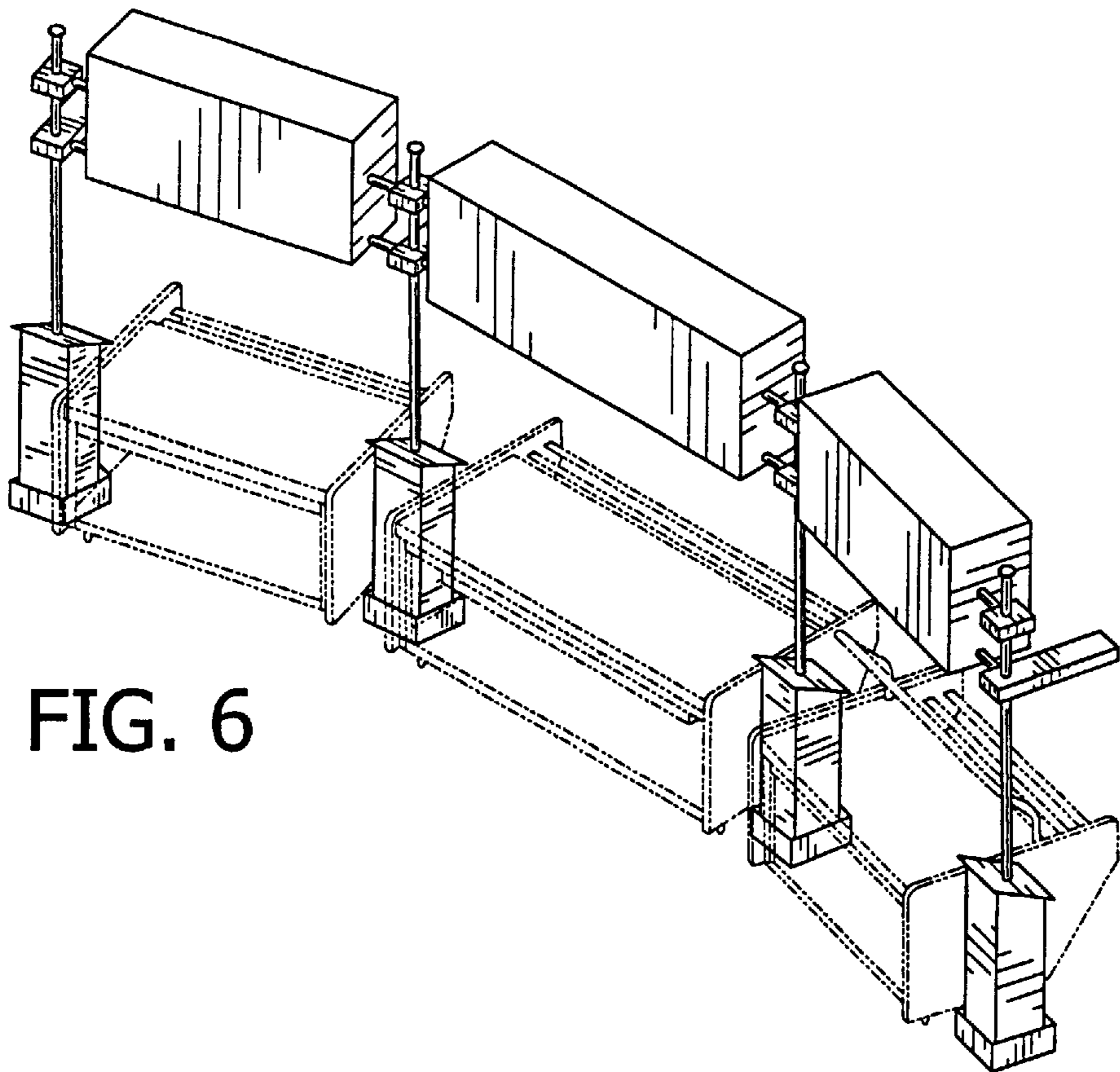


FIG. 6

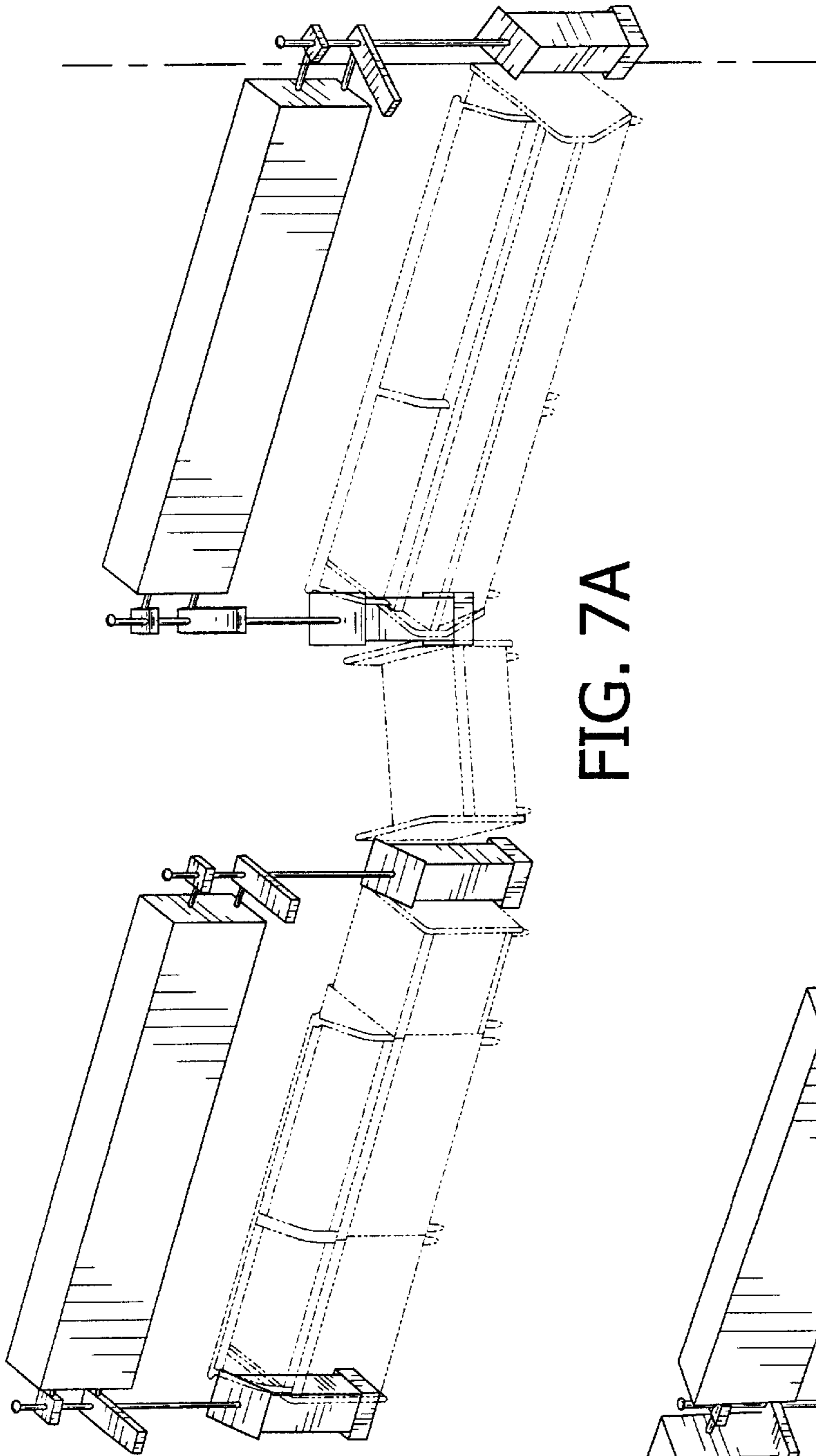


FIG. 7A

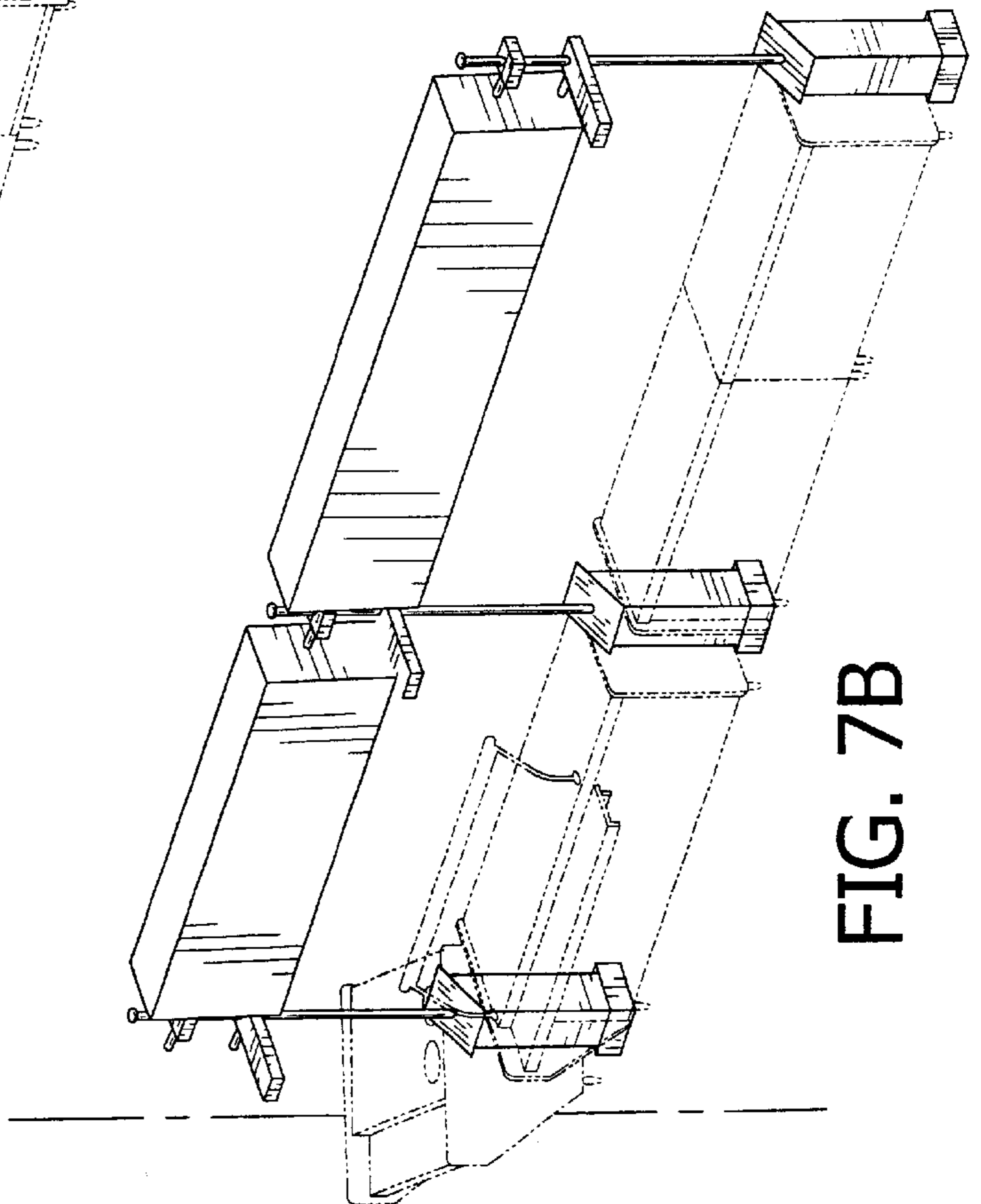
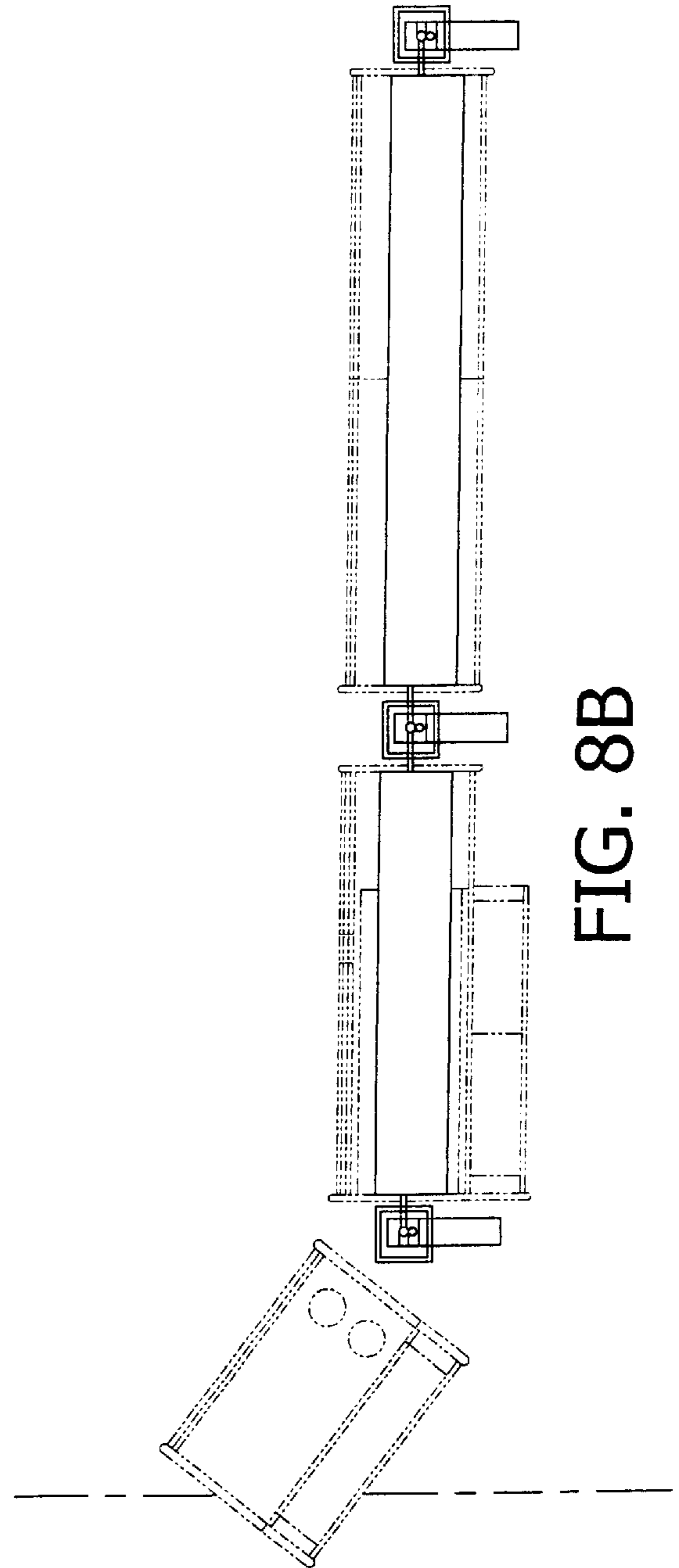
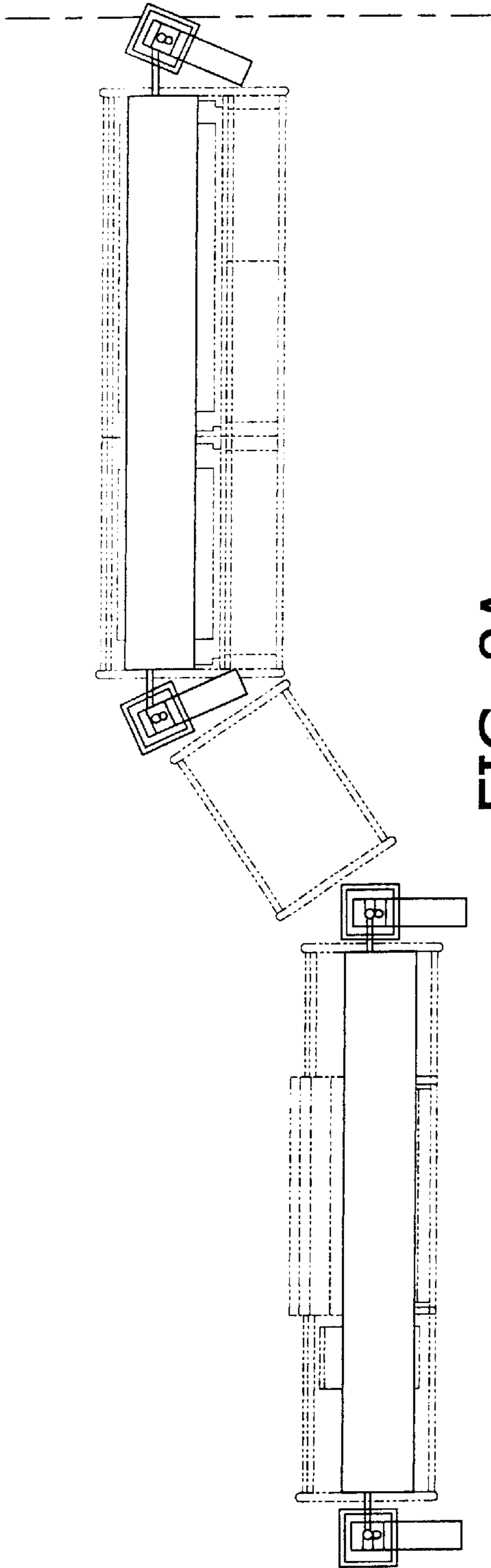


FIG. 7B



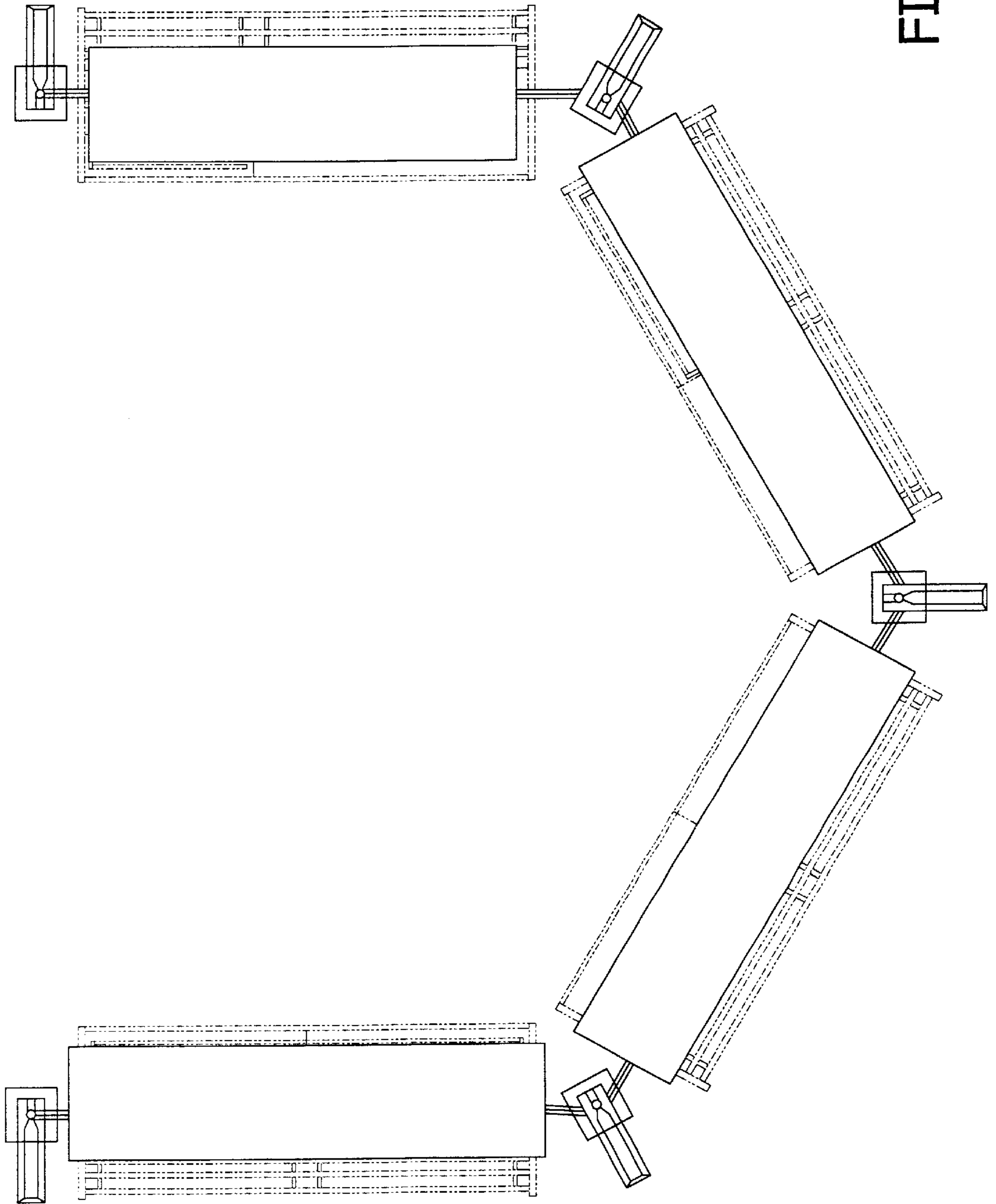


FIG. 9

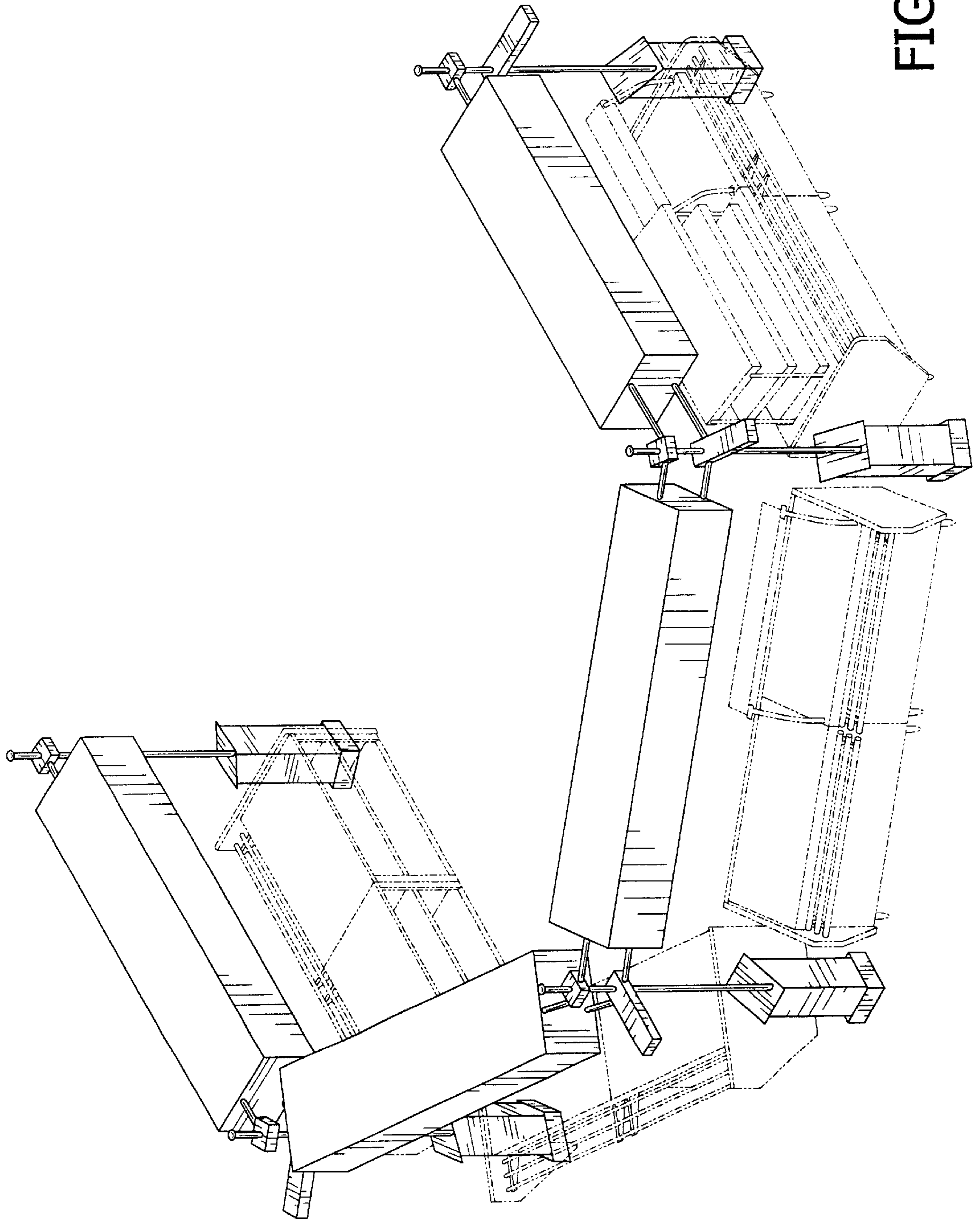


FIG. 10