



US00D458057S

(12) **United States Design Patent**
Nichols

(10) **Patent No.:** **US D458,057 S**
(45) **Date of Patent:** **** Jun. 4, 2002**

(54) **FREE STANDING BAR WITH BUBBLING PANEL**

6,295,749 B1 * 10/2001 Lin 40/406

* cited by examiner

(76) **Inventor:** **Richard W. Nichols**, 2608 Midsummer Dr., Windemere, FL (US) 34786

Primary Examiner—Janice E. Seeger
(74) *Attorney, Agent, or Firm*—Pearne & Gordon LLP

(**) **Term:** **14 Years**

(57) **CLAIM**

(21) **Appl. No.:** **29/139,727**

The ornamental design for a free standing bar with bubbling panel, as shown and described.

(22) **Filed:** **Apr. 5, 2001**

DESCRIPTION

(51) **LOC (7) Cl.** **06-03**

(52) **U.S. Cl.** **D6/481**

(58) **Field of Search** D6/480-489, 495; 312/140.1, 140.2, 278, 236; D14/173; 40/406

FIG. 1 is a perspective view of a free standing bar with bubbling panel, in accordance with the present invention. FIG. 2 is a front elevation view thereof; FIG. 3 is a top plan view thereof; FIG. 4 is a left side elevation view thereof, the right side elevation view being a mirror image thereof; FIG. 5 is a rear elevation view thereof; and, FIG. 6 is a bottom plan view thereof.

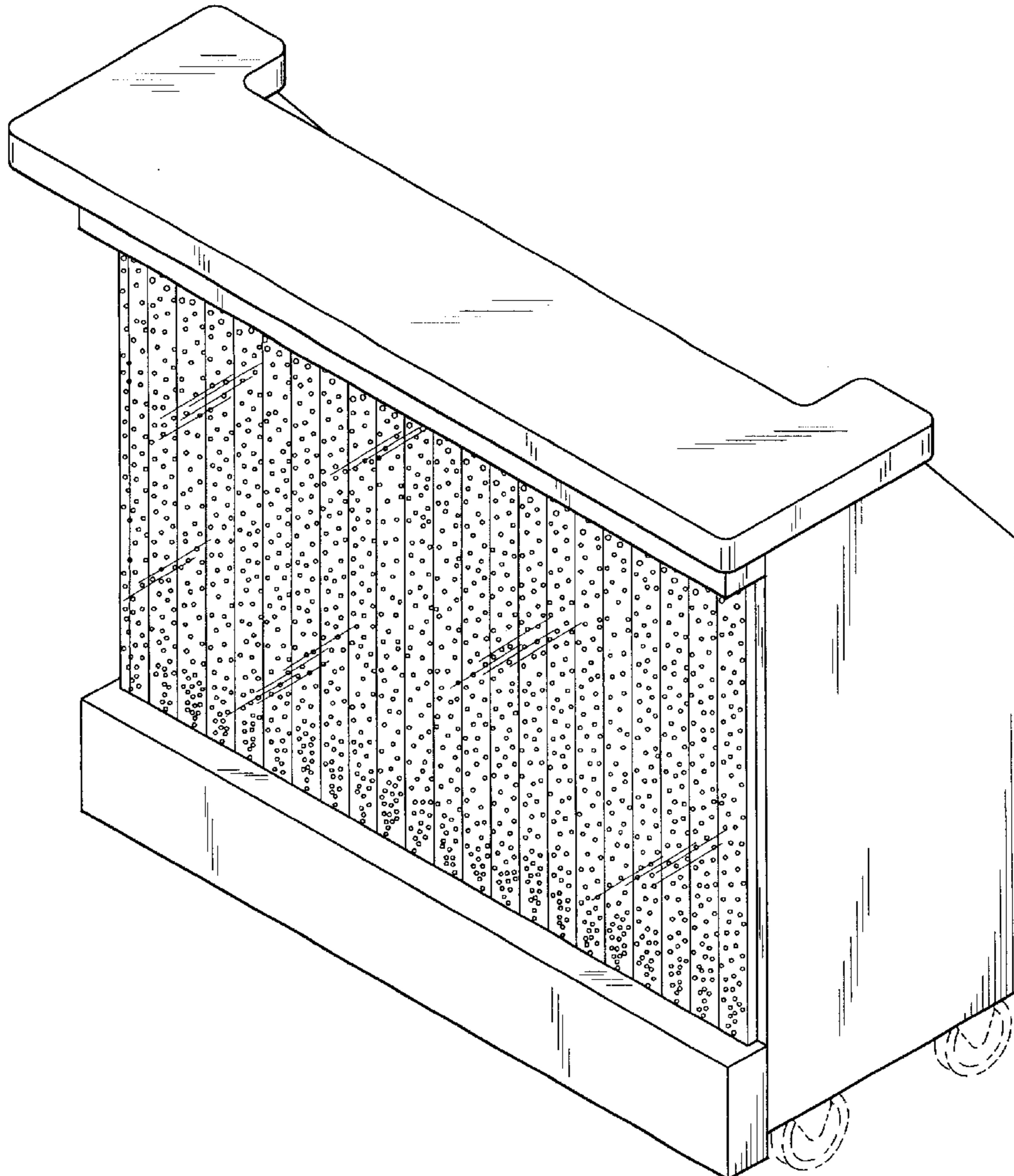
(56) **References Cited**

U.S. PATENT DOCUMENTS

2,165,930	A	*	7/1939	Levine et al.	312/140.1
D150,194	S	*	7/1948	Barrett	D6/481
D184,520	S	*	3/1959	Greenberg	D6/481
D264,784	S	*	6/1982	Johnson	D6/451
6,187,394	B1	*	2/2001	Johnson et al.	428/13

The broken lines are for environmental purposes only and form no part of the claimed design.

1 Claim, 4 Drawing Sheets



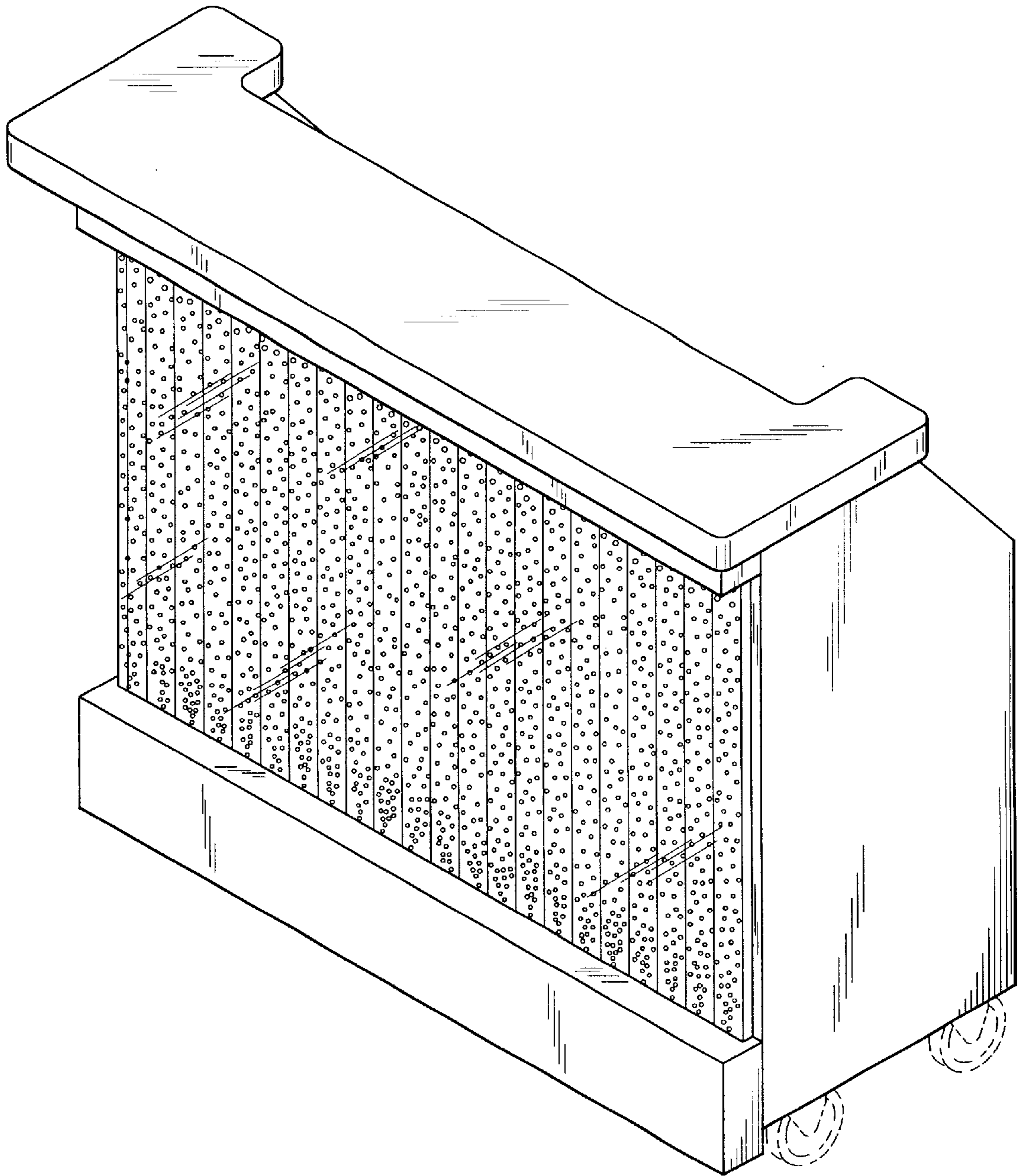


FIG. 1

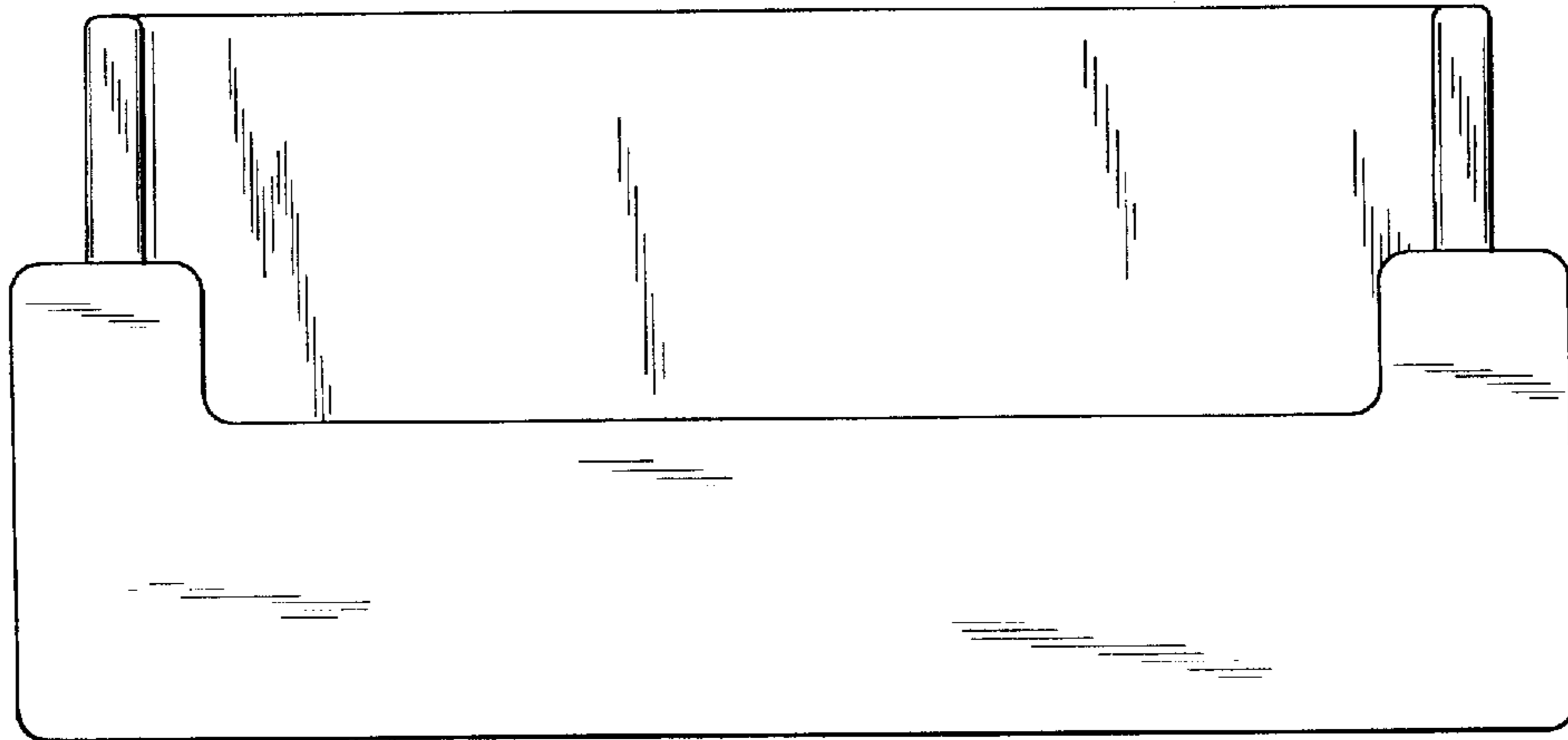


FIG. 3

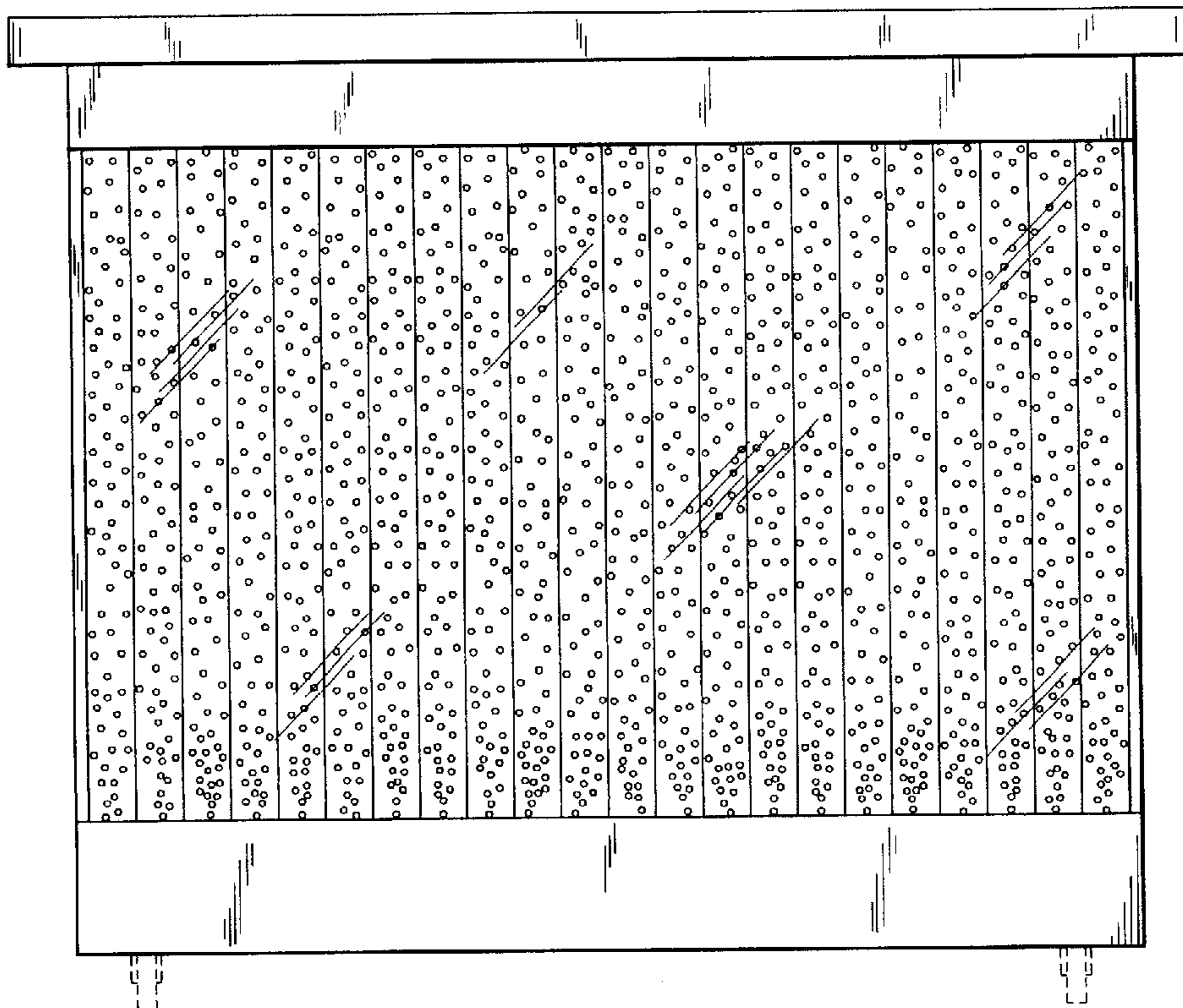


FIG. 2

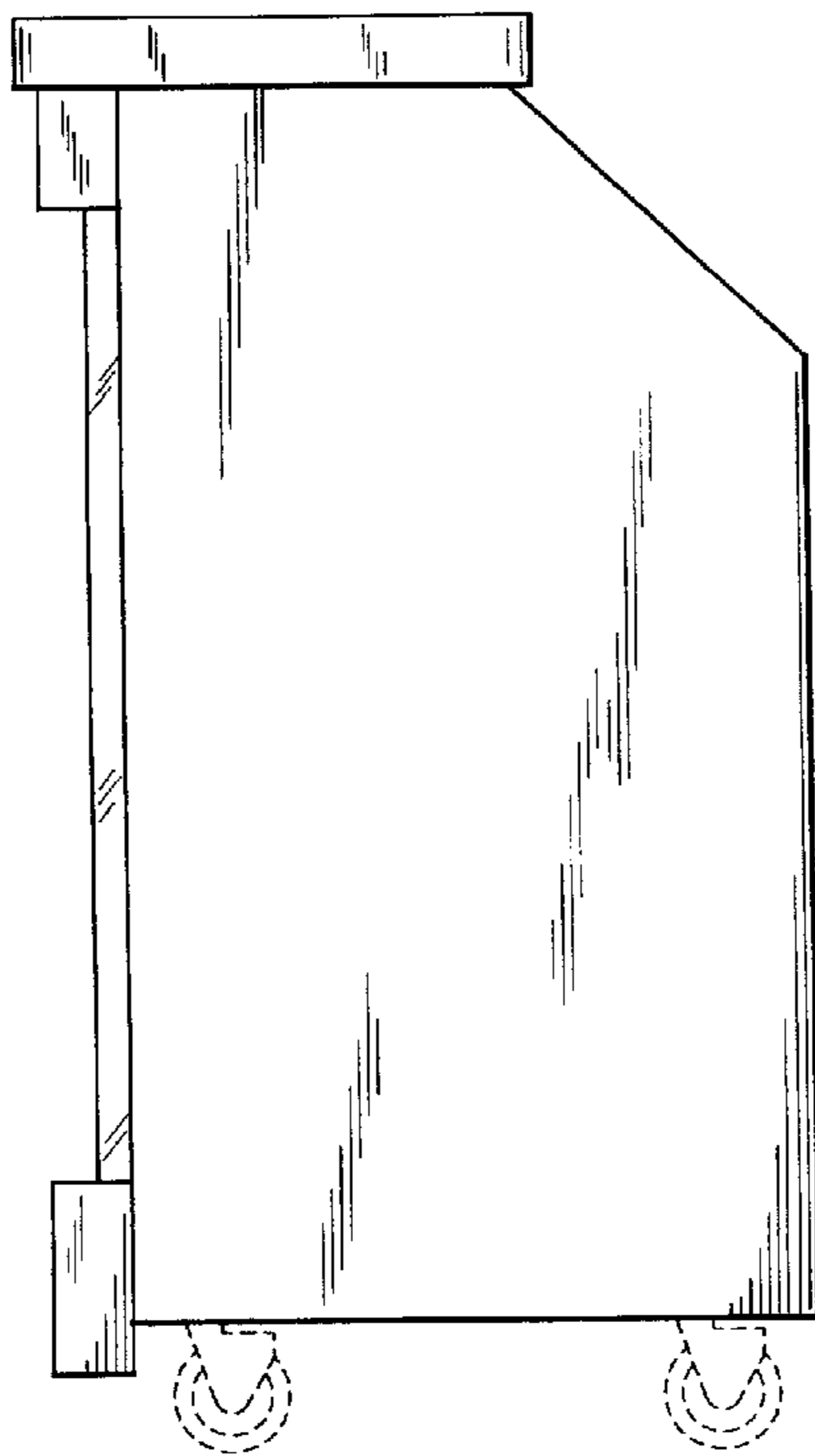


FIG. 4

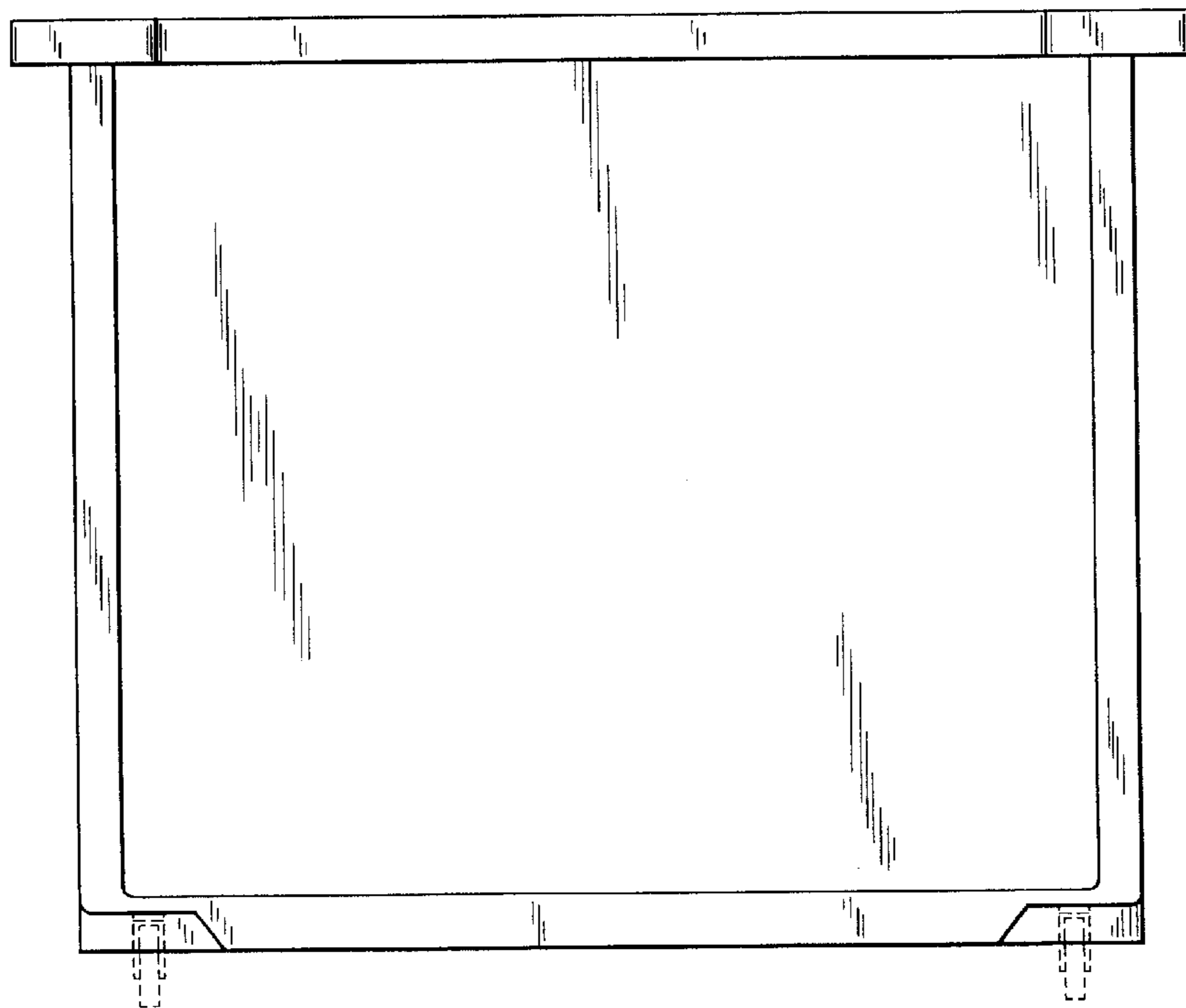


FIG. 5

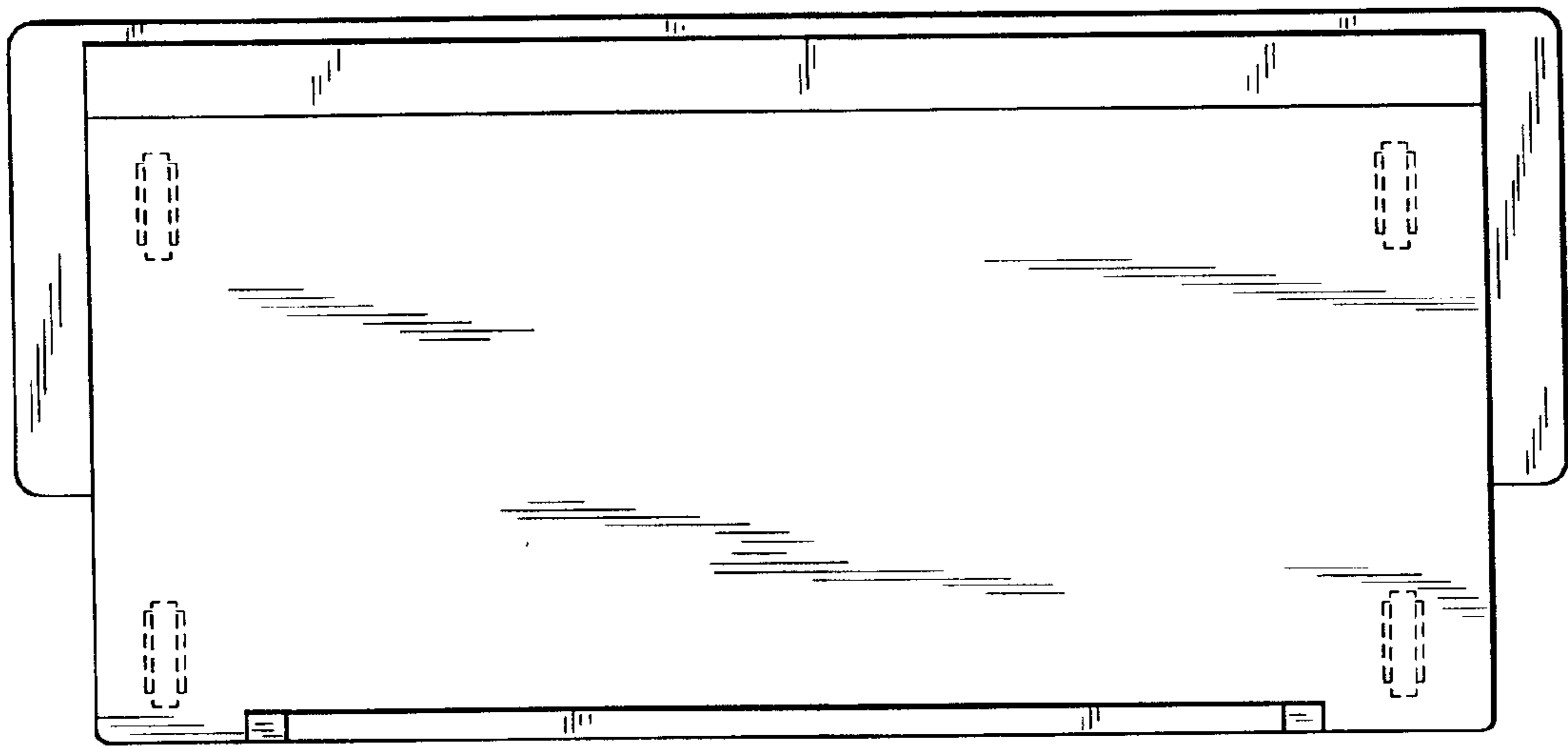


FIG. 6