



US00D458056S

(12) **United States Design Patent**
Solloway

(10) **Patent No.:** **US D458,056 S**

(45) **Date of Patent:** **** Jun. 4, 2002**

(54) **CONFERENCE TABLE**

(75) **Inventor:** **Stanley N. Solloway**, 2424 Butler Dr., Norman, OK (US) 73069

(73) **Assignee:** **Stanley N. Solloway**, Norman, OK (US)

(**) **Term:** **14 Years**

(21) **Appl. No.:** **29/149,651**

(22) **Filed:** **Oct. 15, 2001**

Related U.S. Application Data

(62) Division of application No. 29/126,783, filed on Jul. 24, 2000, now Pat. No. Des. 449,185.

(51) **LOC (7) Cl.** **06-03**

(52) **U.S. Cl.** **D6/480**

(58) **Field of Search** D6/480-489, 495-499; 108/153.1, 155, 156, 157.1, 157.15, 157.16, 149, 161; 248/188, 188.1, 188.8

(56) **References Cited**

U.S. PATENT DOCUMENTS

D239,891 S * 5/1976 Cipullo D6/486

D252,431 S * 7/1979 Pfister D6/484

D261,839 S * 11/1981 Kvasnicka D6/451

D449,185 S * 10/2001 Solloway D6/480

* cited by examiner

Primary Examiner—Janice E. Seeger

(74) *Attorney, Agent, or Firm*—Welsh & Katz, Ltd.; Thomas W. Tolpin

(57) **CLAIM**

The ornamental design for a conference table, substantially as shown and described.

DESCRIPTION

FIG. 1 is a perspective view of a conference table with a solid opaque table surface showing my new design;

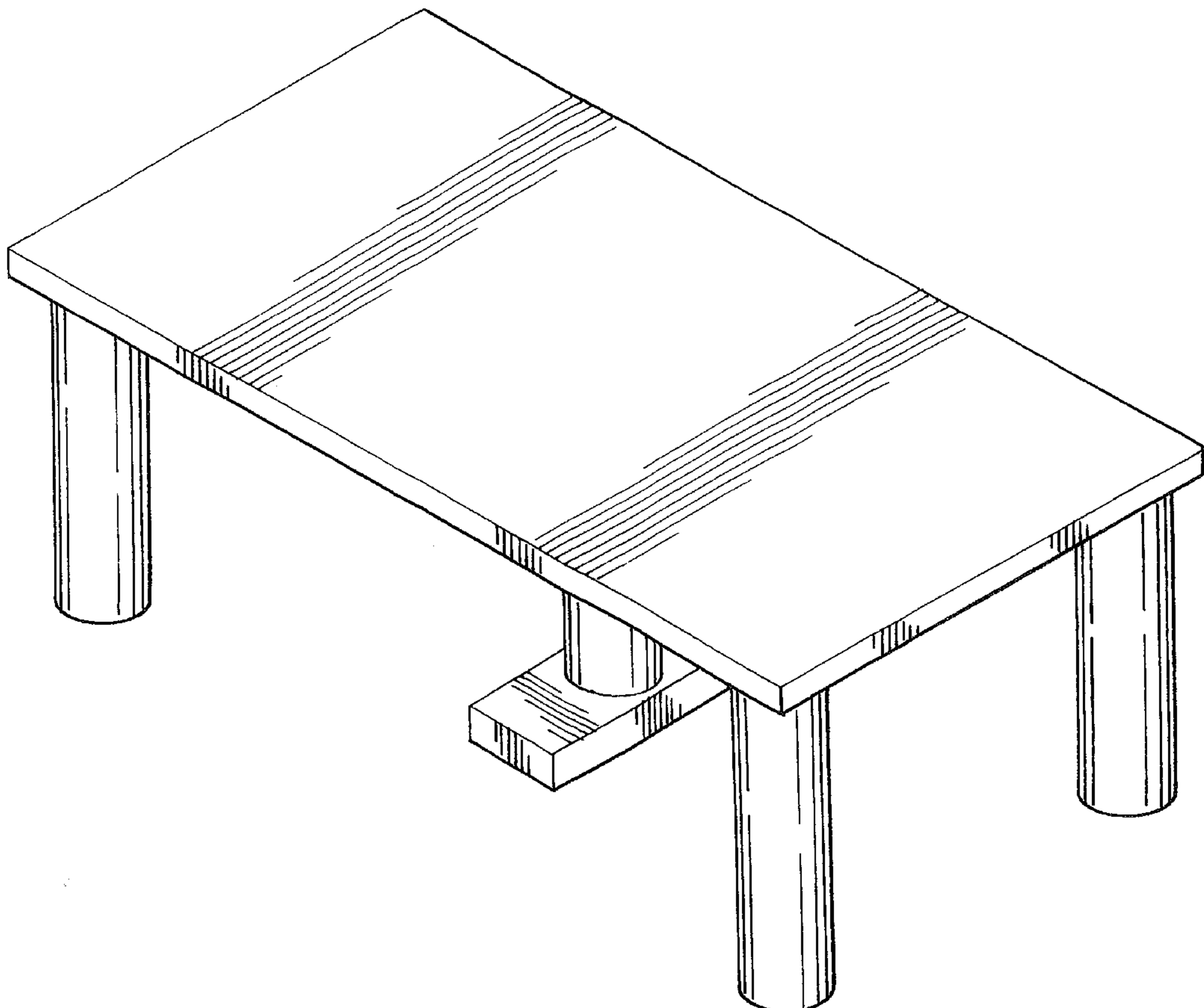
FIG. 2 is a left side view thereof; the right side view thereof being a mirror image and symmetrical to the left side view thereof;

FIG. 3 is a front view thereof; the back view thereof being a mirror image and symmetrical to the front view thereof;

FIG. 4 is a top plan view thereof; and,

FIG. 5 is a bottom view thereof.

1 Claim, 3 Drawing Sheets



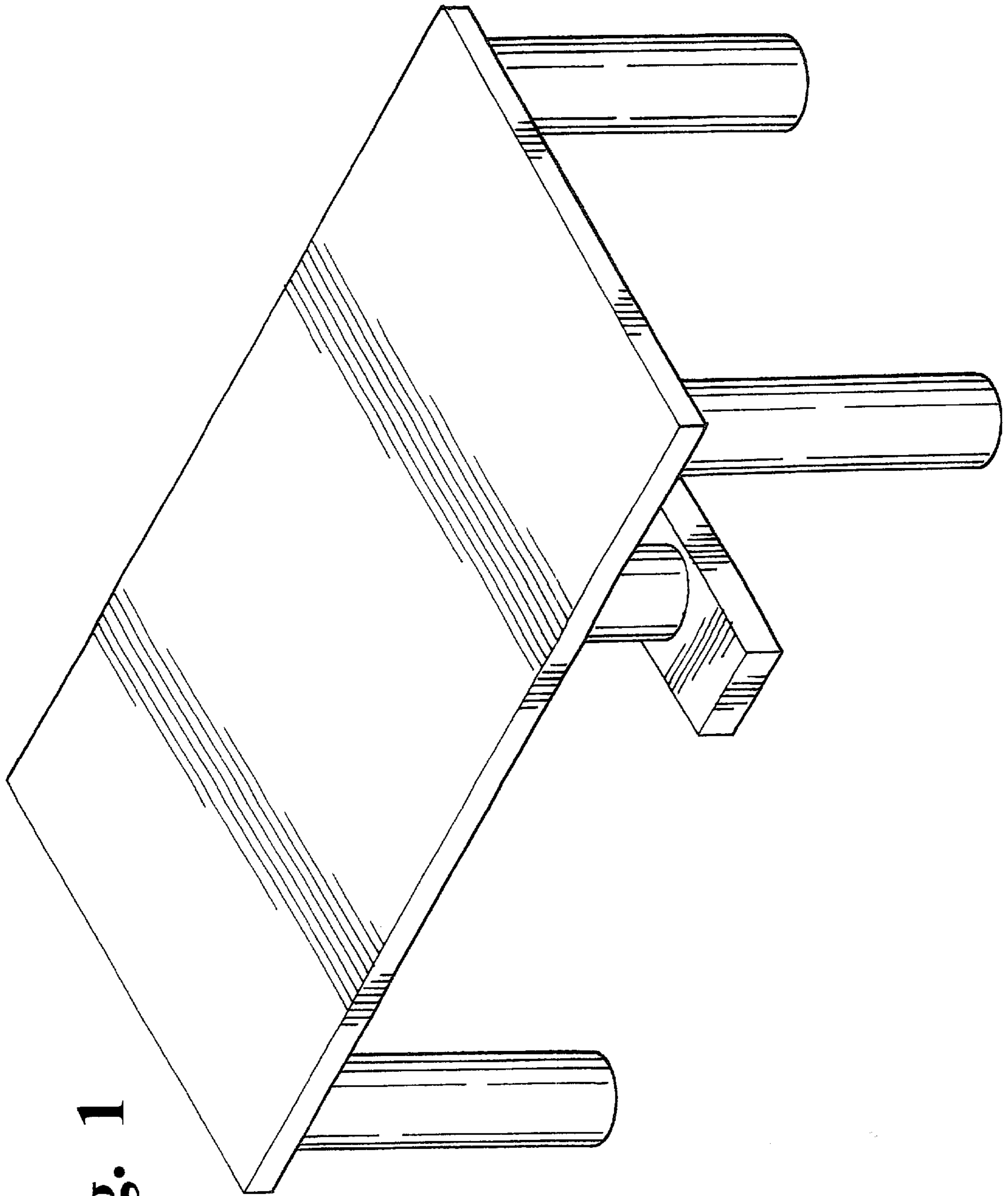


Fig. 1

Fig. 2

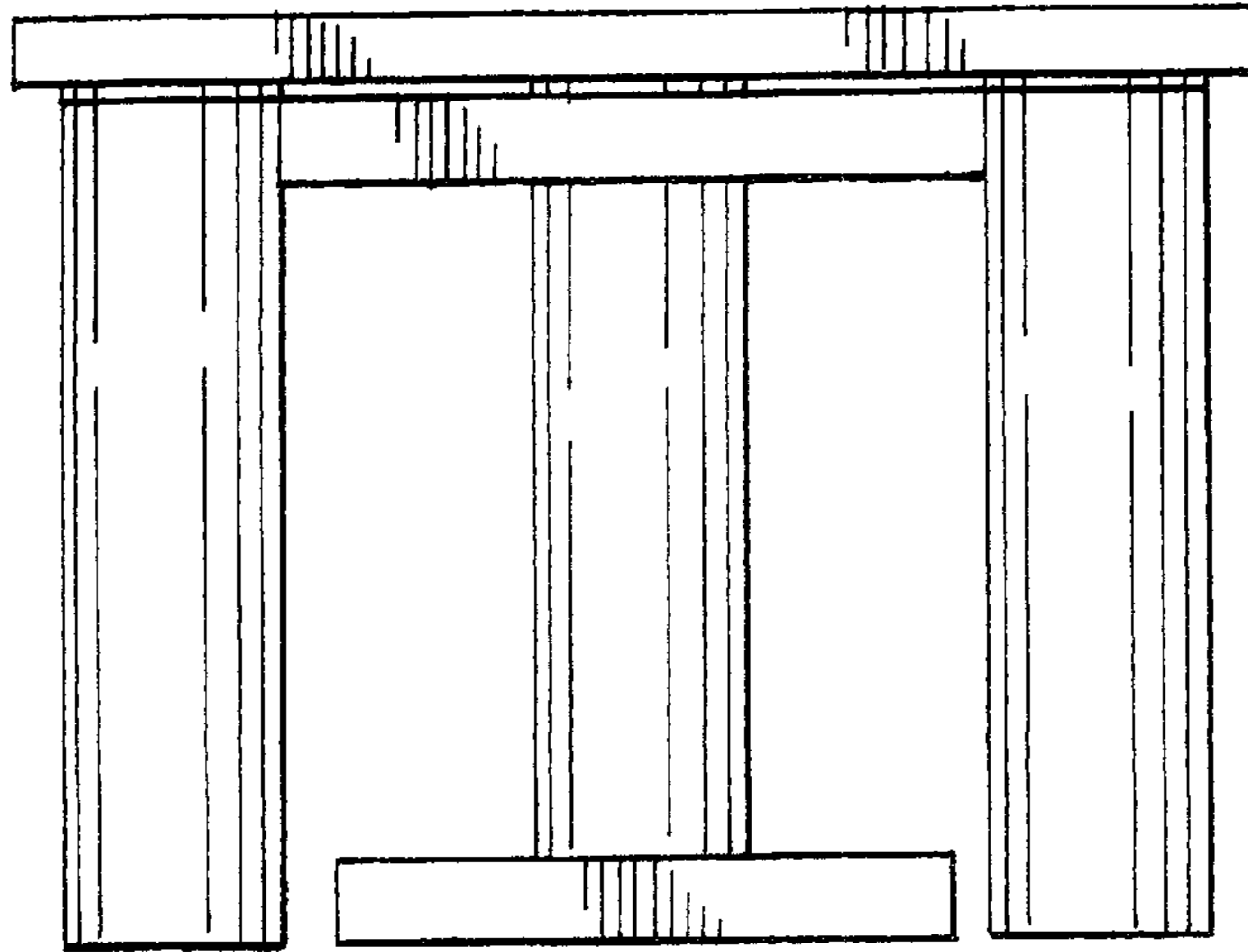


Fig. 3

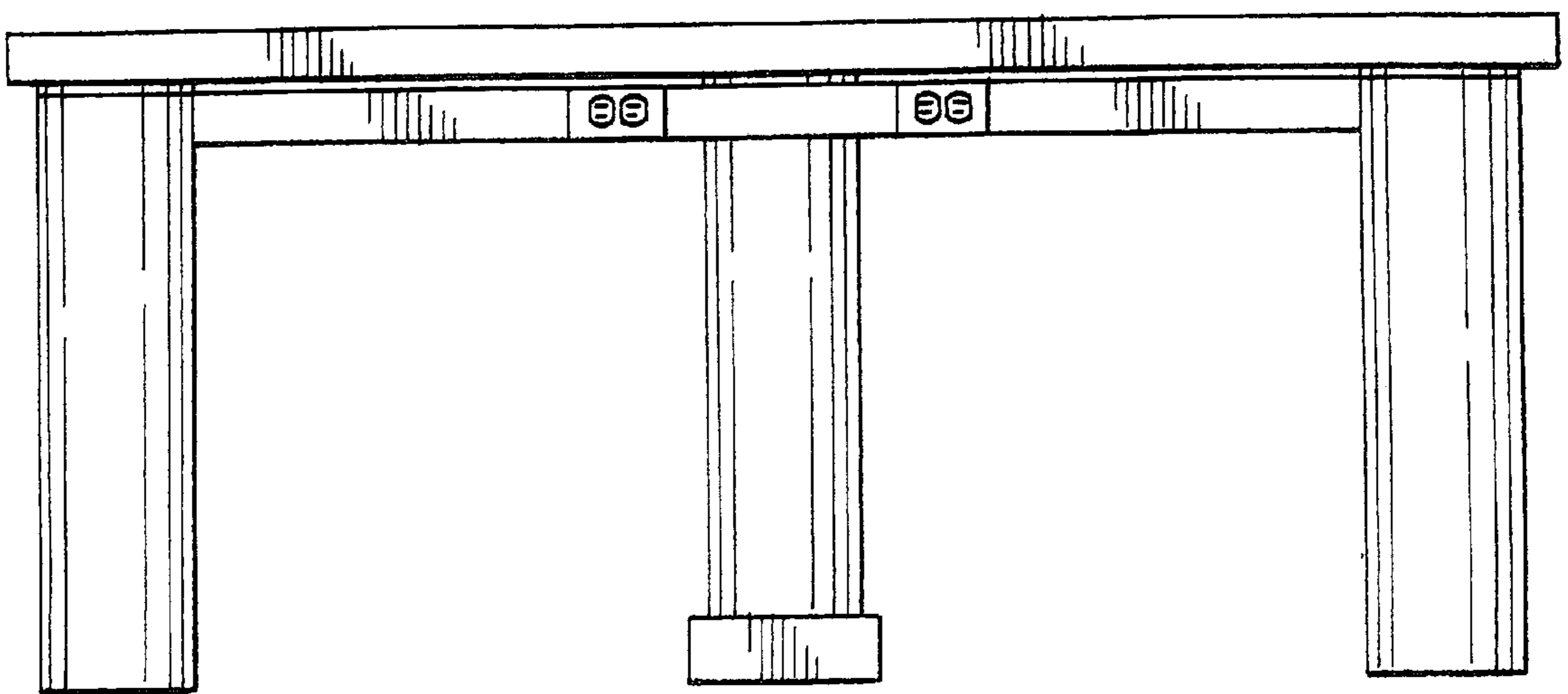


Fig. 4

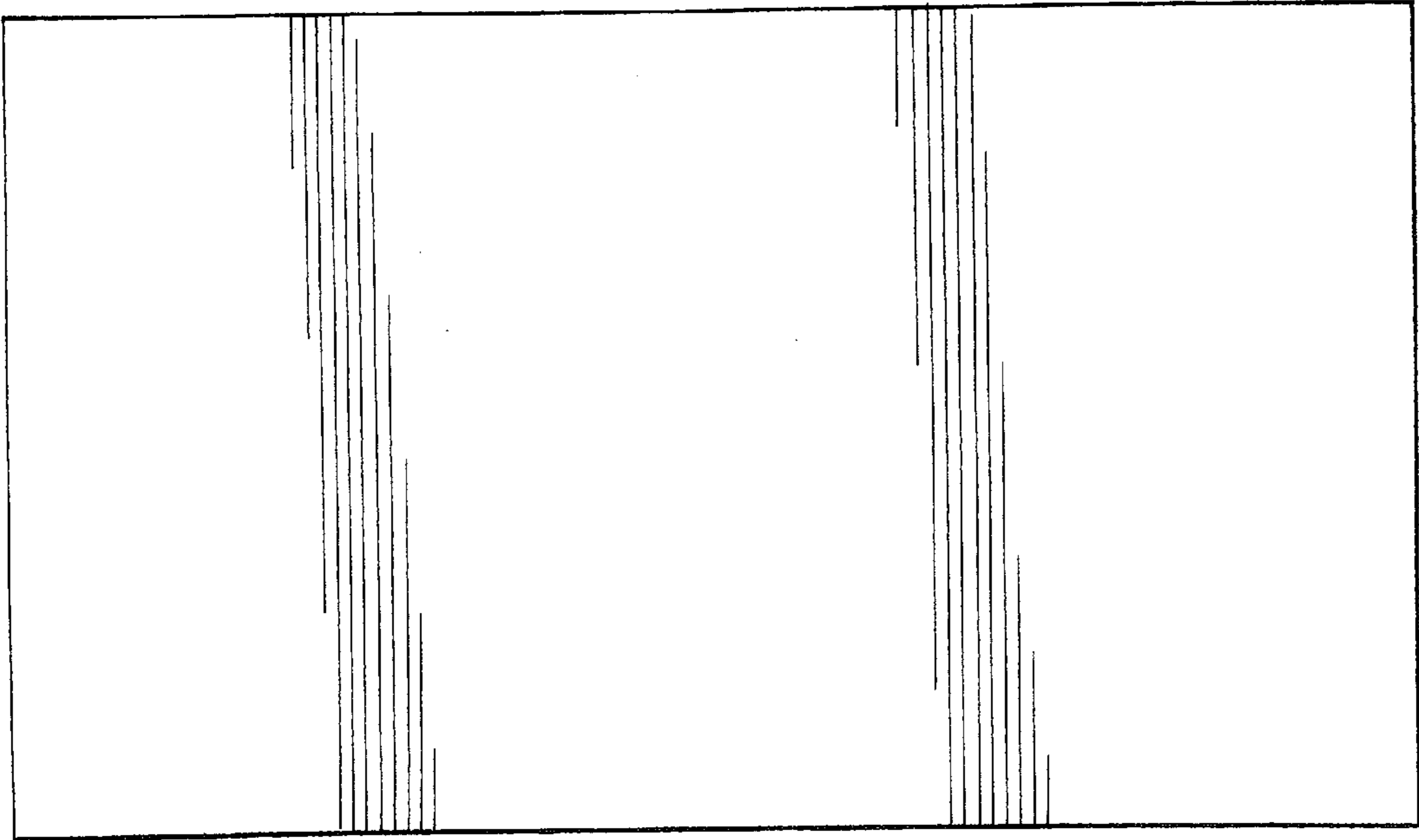


Fig. 5

