



US00D458053S

(12) **United States Design Patent**
Luong

(10) **Patent No.:** **US D458,053 S**

(45) **Date of Patent:** **** Jun. 4, 2002**

(54) **ENTERTAINMENT CENTER**
(75) Inventor: **Phuoc H. Luong**, Fountain Valley, CA (US)

D402,486 S * 12/1998 Wada et al. D6/479
D403,536 S * 1/1999 Olson et al. D6/479
D451,307 S * 12/2001 Dong D6/474

* cited by examiner

(73) Assignee: **Elite Manufacturing Corporation**, Santa Fe Springs, CA (US)

Primary Examiner—Cathron C. Brooks
(74) *Attorney, Agent, or Firm*—George W. Finch

(**) Term: **14 Years**

(57) **CLAIM**

(21) Appl. No.: **29/146,295**

The ornamental design for an entertainment center, as shown.

(22) Filed: **Aug. 6, 2001**

(51) **LOC (7) Cl.** **06-04**

(52) **U.S. Cl.** **D6/477; D6/474**

(58) **Field of Search** D6/407, 629, 630, D6/449, 465, 477, 478, 479, 552, 474; 108/1, 3, 59, 60, 93, 94, 96, 147.11, 147.17, 150; 211/85.3, 34, 36, 42, 50, 70, 90.01, 90.04, 115, 144, 163; 312/9.1, 9.47, 9.48, 9.52, 9.53, 9.54, 223.1

DESCRIPTION

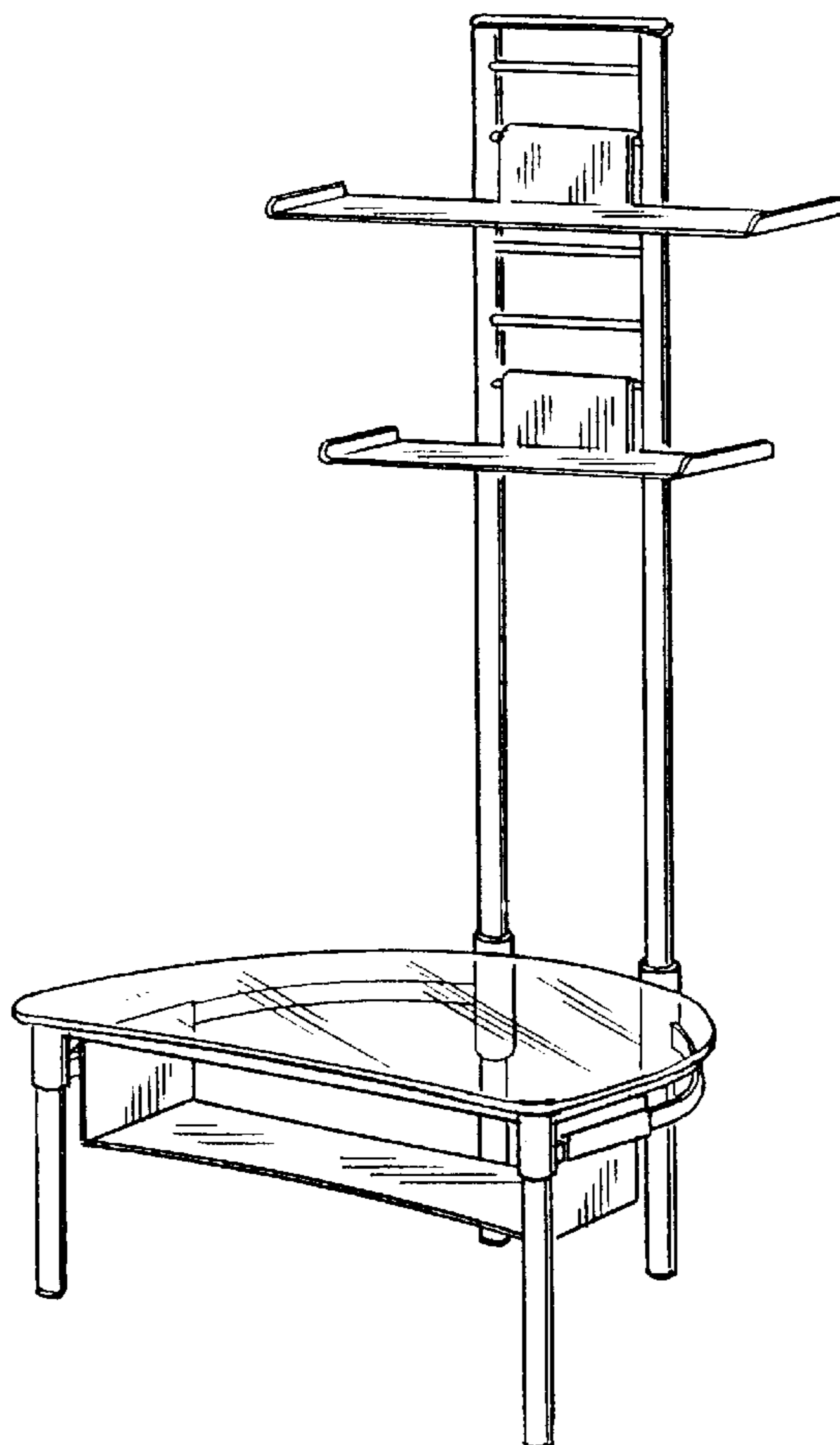
FIG. 1 is a perspective view showing the front side, left side, and top of the ornamental design;
FIG. 2 is a underside view of the same;
FIG. 3 is a top plan view of the same;
FIG. 4 is a right side elevational view of the same;
FIG. 5 is a front elevational view of the same;
FIG. 6 is a back view of the same; and,
FIG. 7. is a left side elevational view of the same.

(56) **References Cited**

U.S. PATENT DOCUMENTS

D301,093 S * 5/1989 Oto D6/474 X

1 Claim, 2 Drawing Sheets



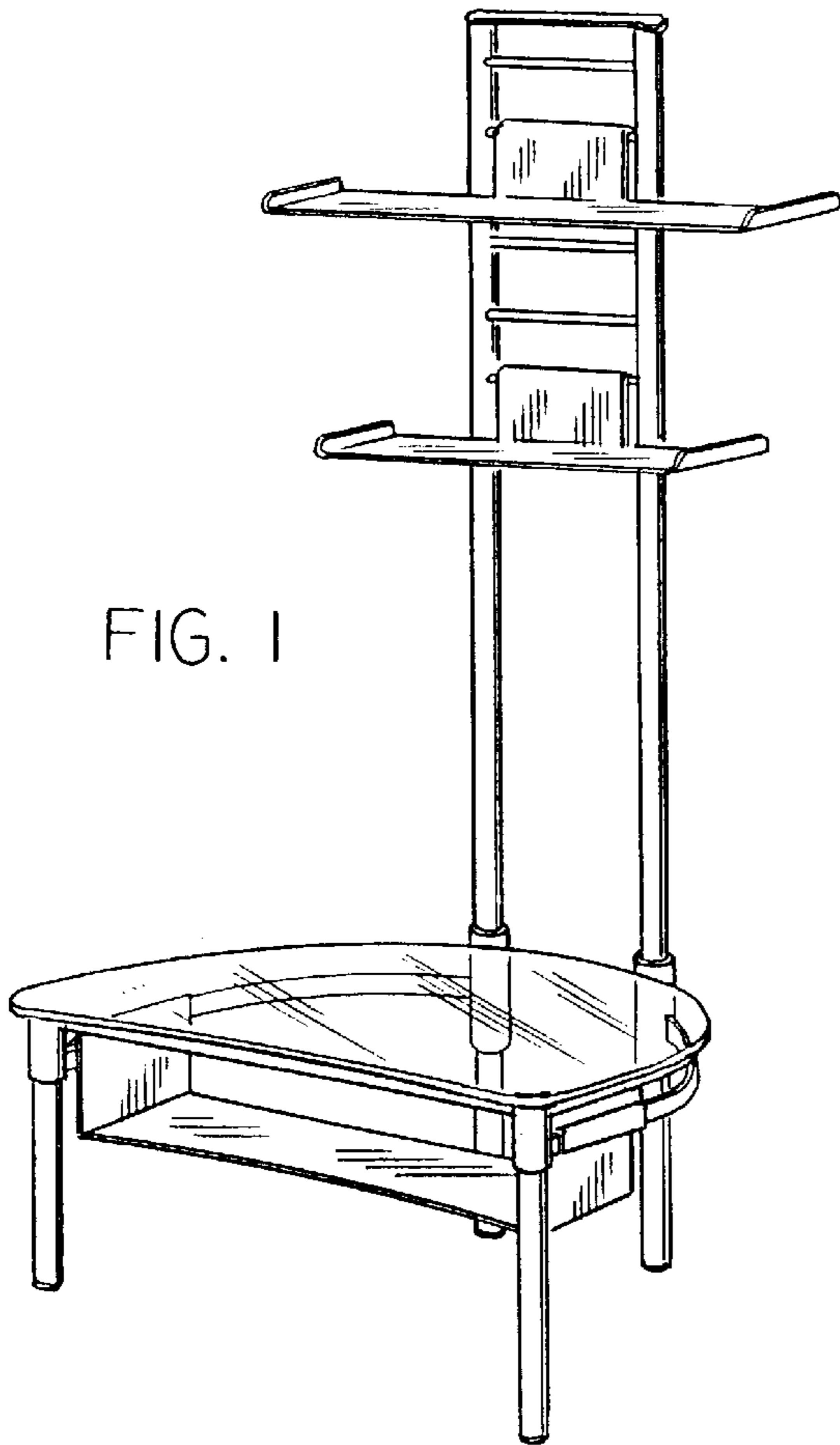


FIG. 1

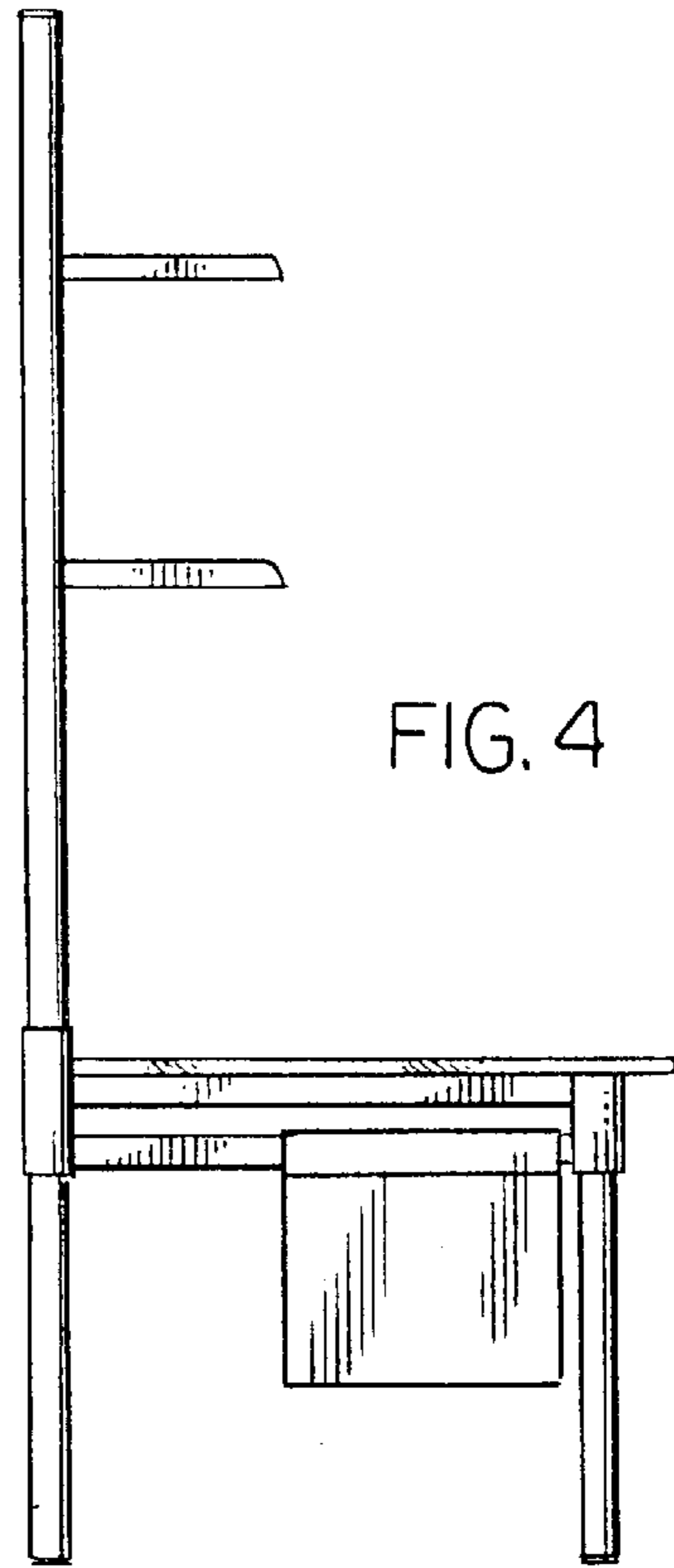


FIG. 4

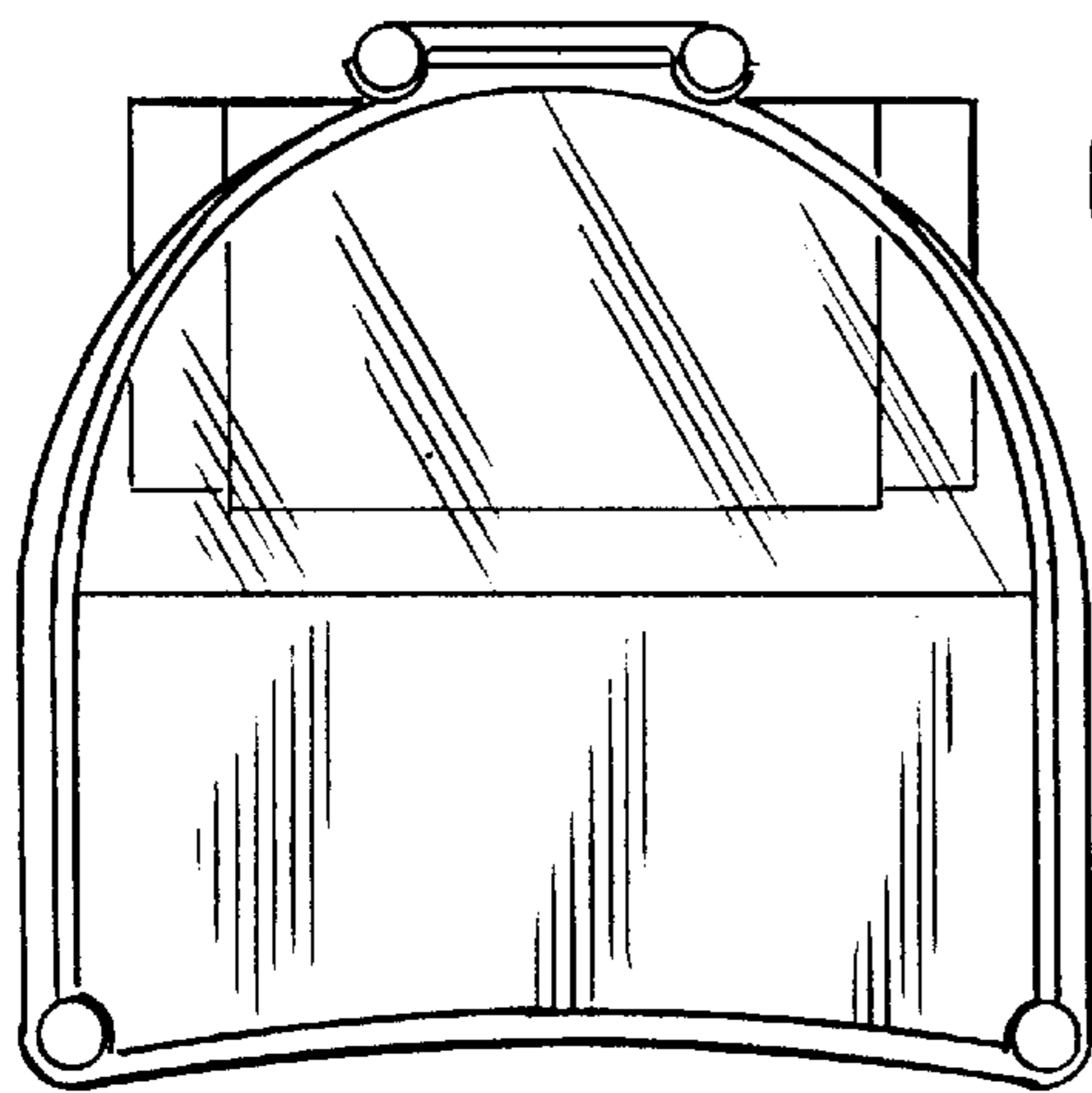


FIG. 2

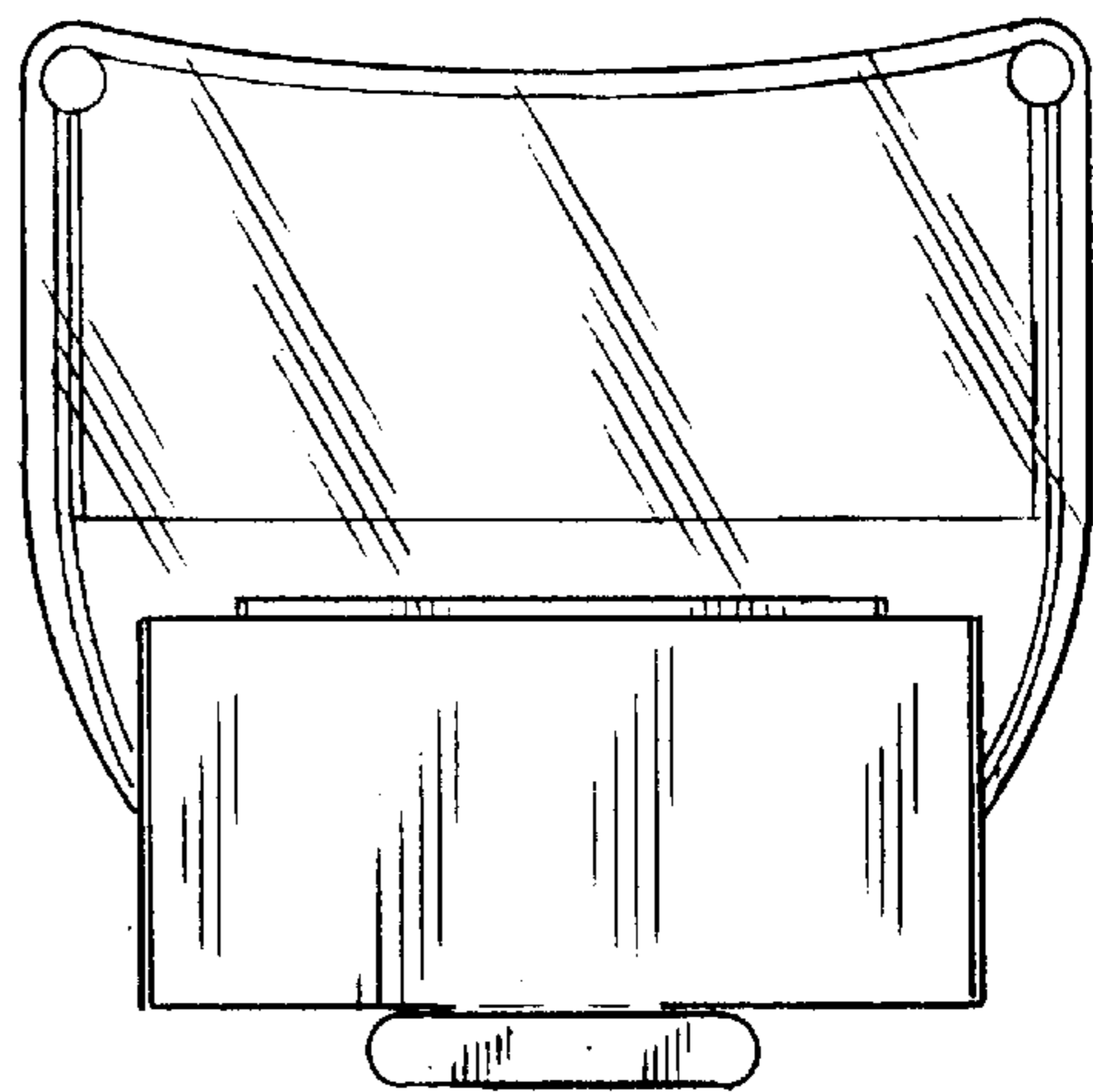


FIG. 3

