



US00D458045S

(12) **United States Design Patent**
Tseng

(10) **Patent No.:** **US D458,045 S**

(45) **Date of Patent:** **** Jun. 4, 2002**

(54) **HAMMOCK FRAME**

D376,275 S * 12/1996 Whittemore D6/387
D451,322 S * 12/2001 Oahare et al. D6/503

(75) Inventor: **Chuen-Jong Tseng**, Chiayi Hsien (TW)

* cited by examiner

(73) Assignee: **Shin Yeh Enterprise Co., Ltd.**, Chiayi Hsien (TW)

Primary Examiner—Janice E. Seeger
(74) *Attorney, Agent, or Firm*—Ladas & Parry

(**) Term: **14 Years**

(57) **CLAIM**

(21) Appl. No.: **29/137,764**

The ornamental design for hammock frame, as shown and described.

(22) Filed: **Feb. 27, 2001**

DESCRIPTION

(51) **LOC (7) Cl.** **06-06**

FIG. 1 is a perspective view of hammock frame showing my new design;

(52) **U.S. Cl.** **D6/387; D6/499; D6/503**

FIG. 2 is a front elevational view thereof;

(58) **Field of Search** D6/382, 386, 387,
D6/495, 499, 503; 5/279.1, 280, 281, 907,
120, 122, 124, 127, 130

FIG. 3 is a rear elevational view thereof;

FIG. 4 is a left side elevational view thereof;

FIG. 5 is a right side elevational view thereof;

FIG. 6 is a top plan view thereof; and,

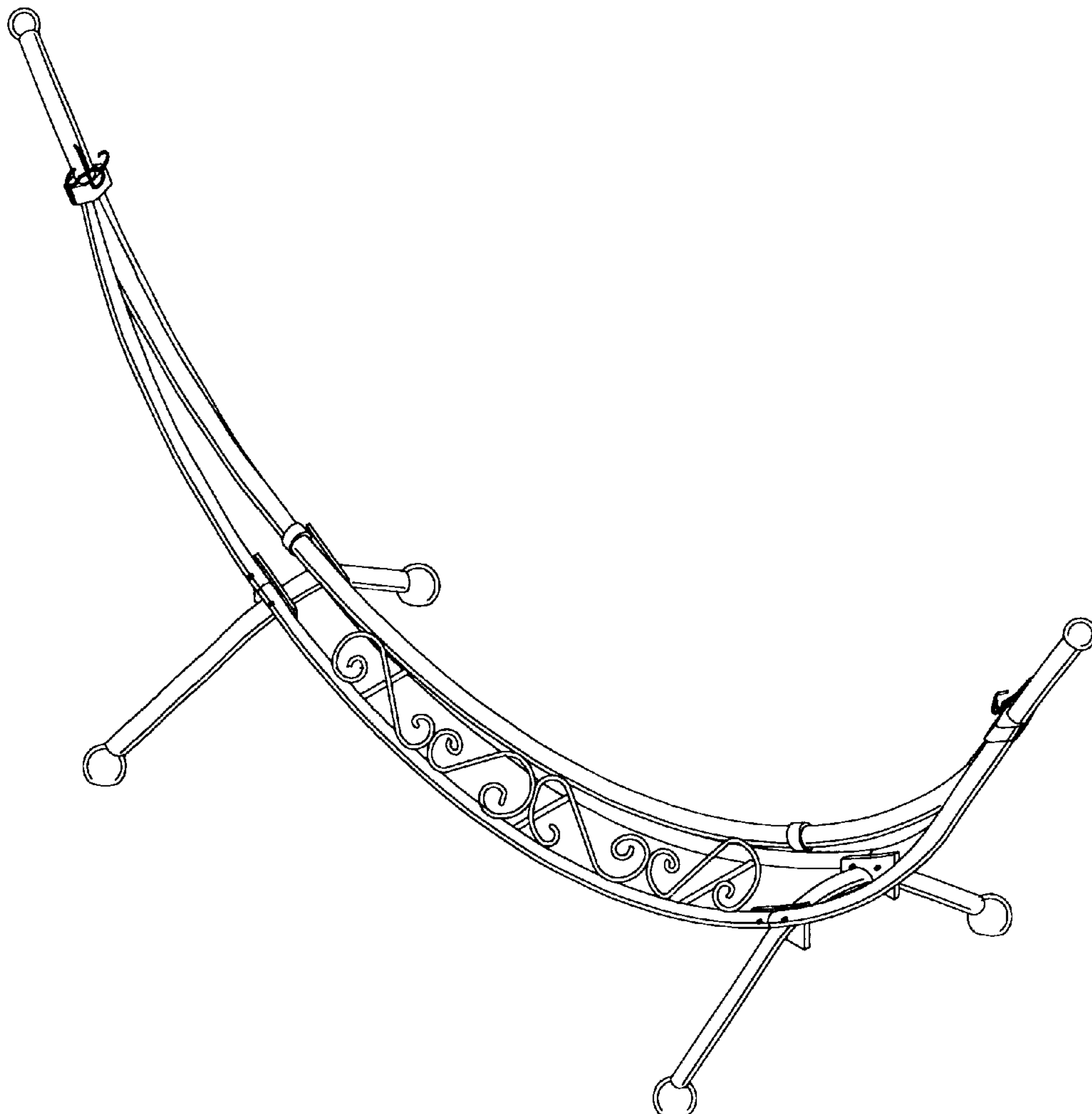
FIG. 7 is a bottom plan view thereof.

(56) **References Cited**

U.S. PATENT DOCUMENTS

4,975,994 A * 12/1990 Barmettler 5/120
D358,045 S * 5/1995 Wolf D6/387

1 Claim, 4 Drawing Sheets



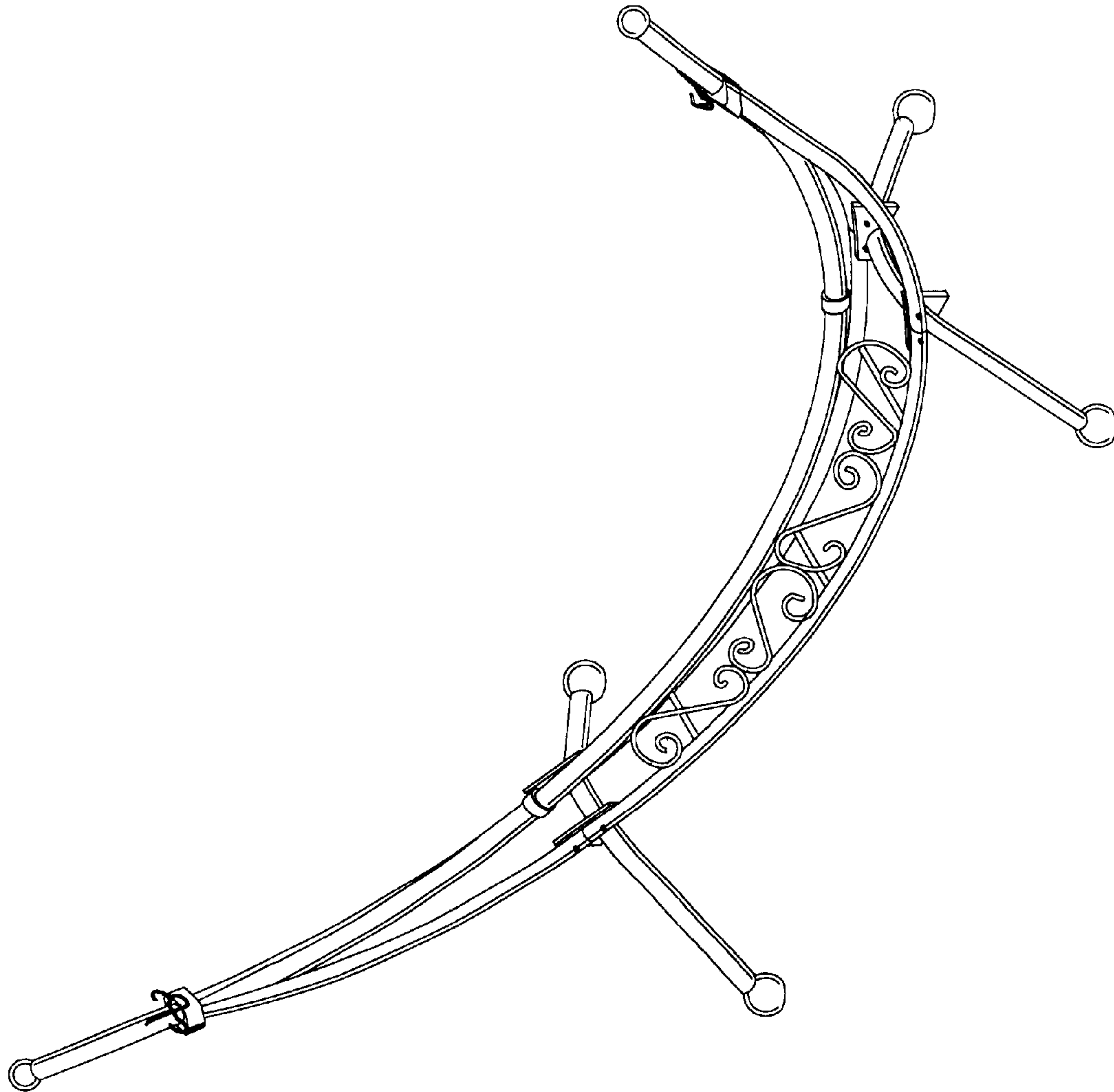


FIG. 1

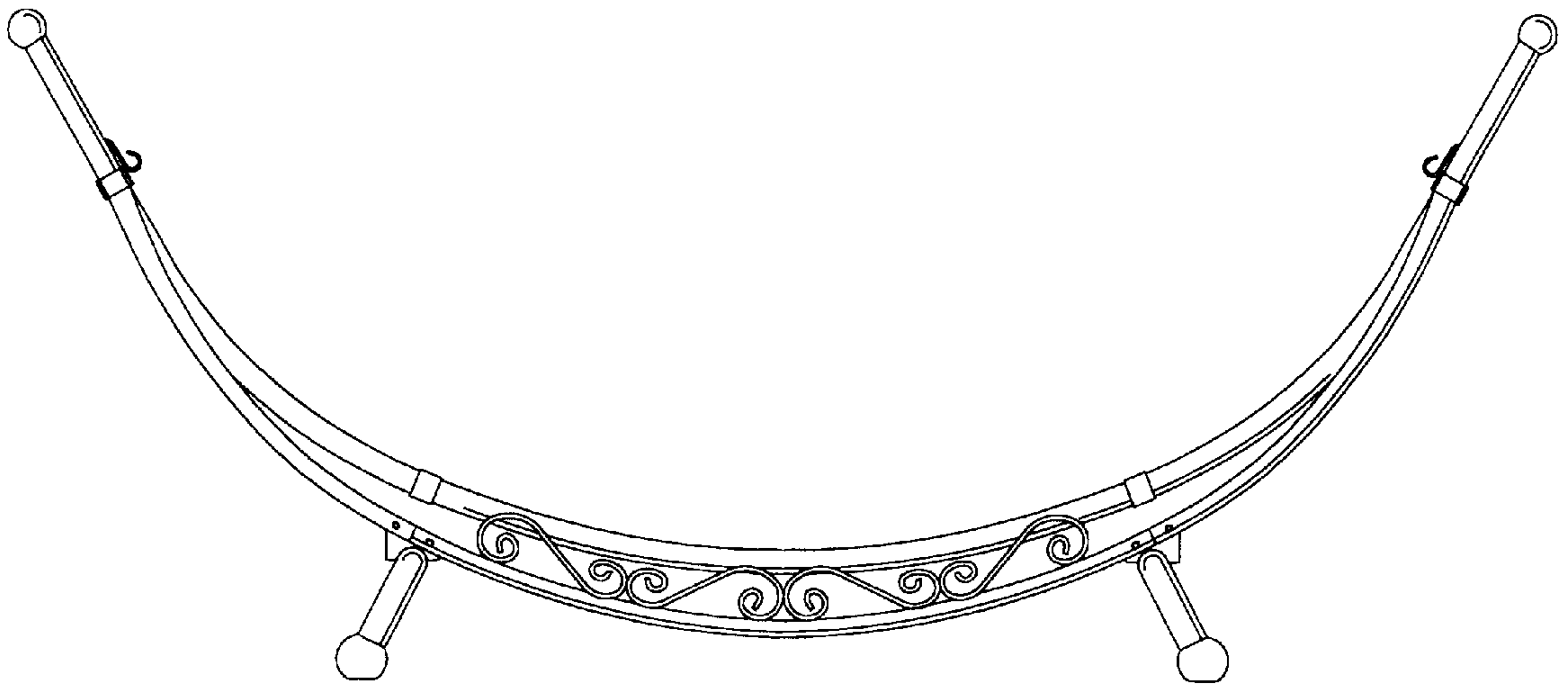


FIG. 2

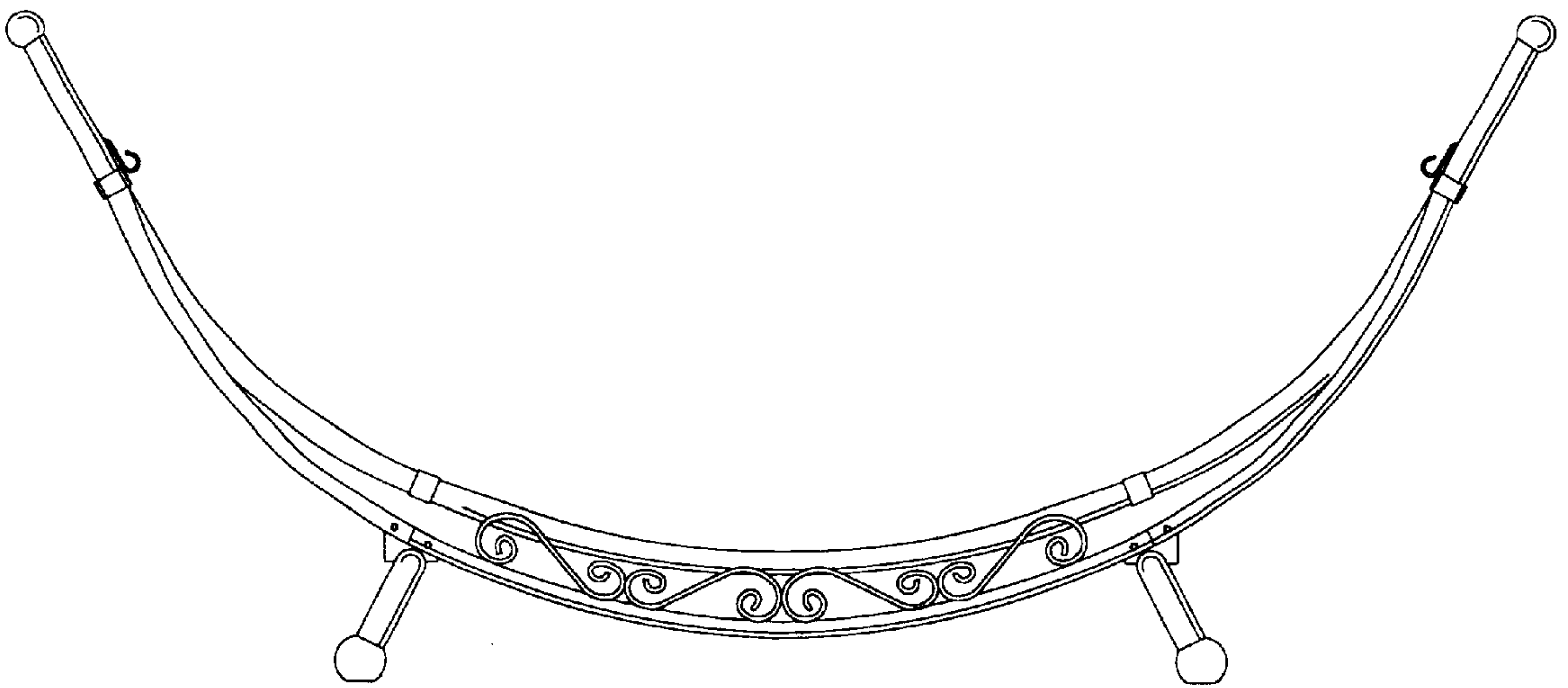


FIG. 3

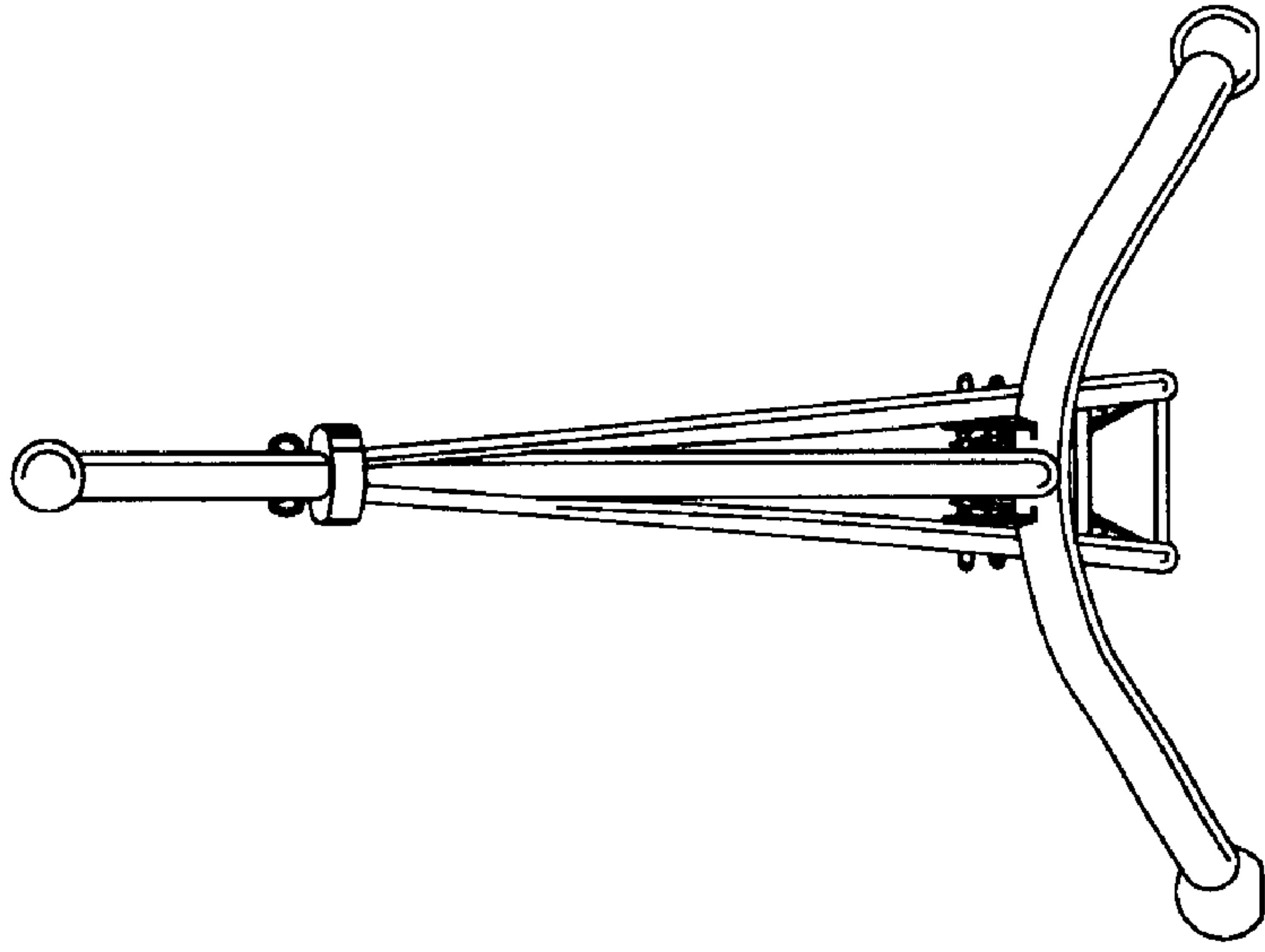


FIG. 5

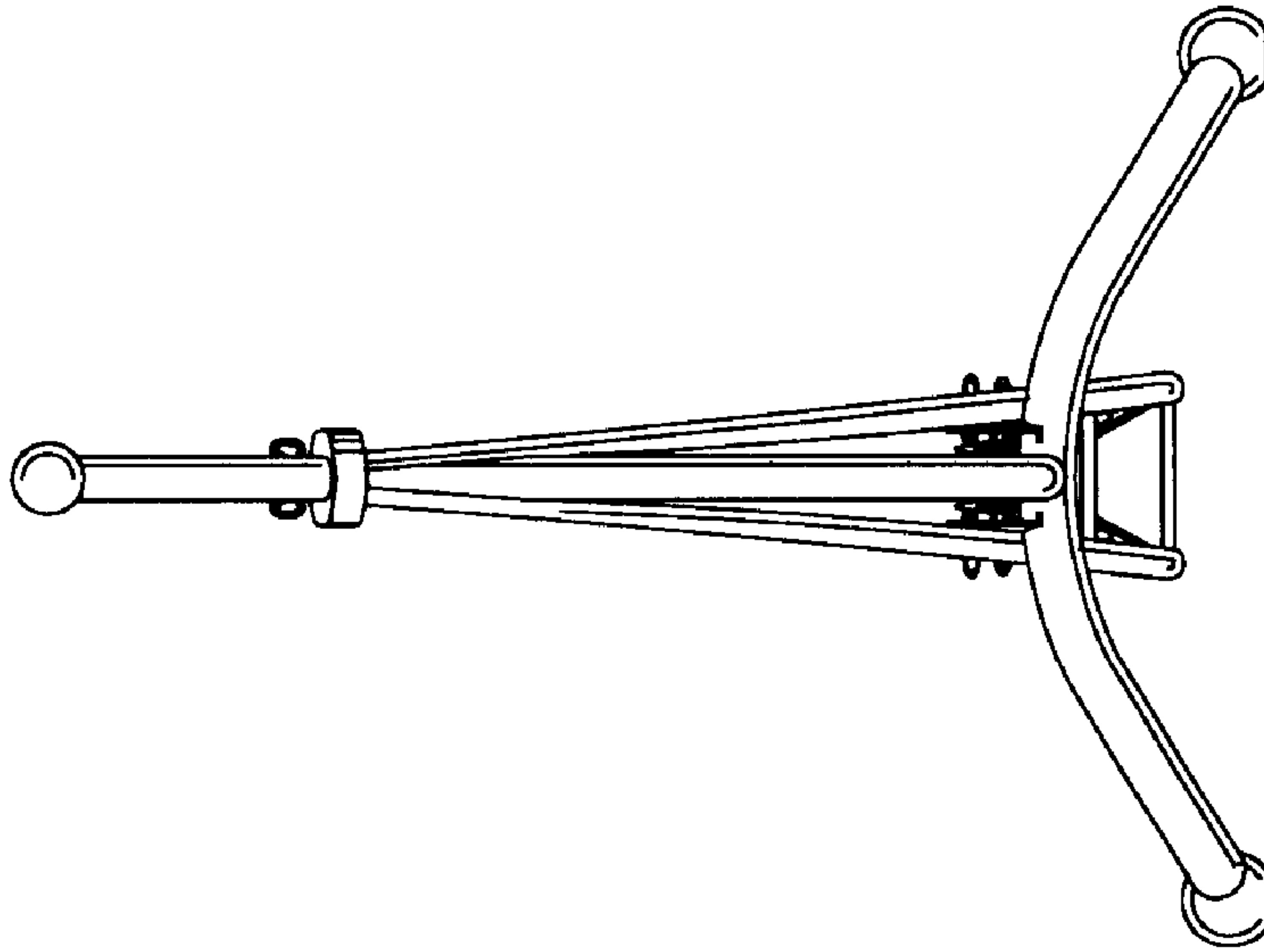


FIG. 4

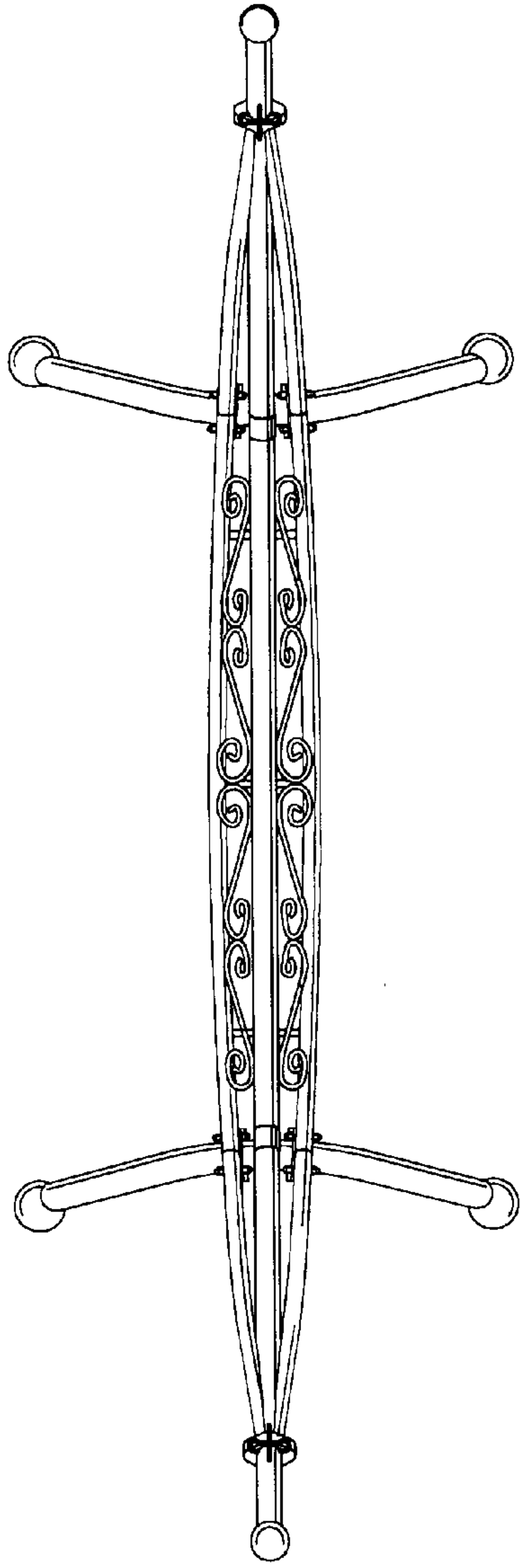


FIG. 6

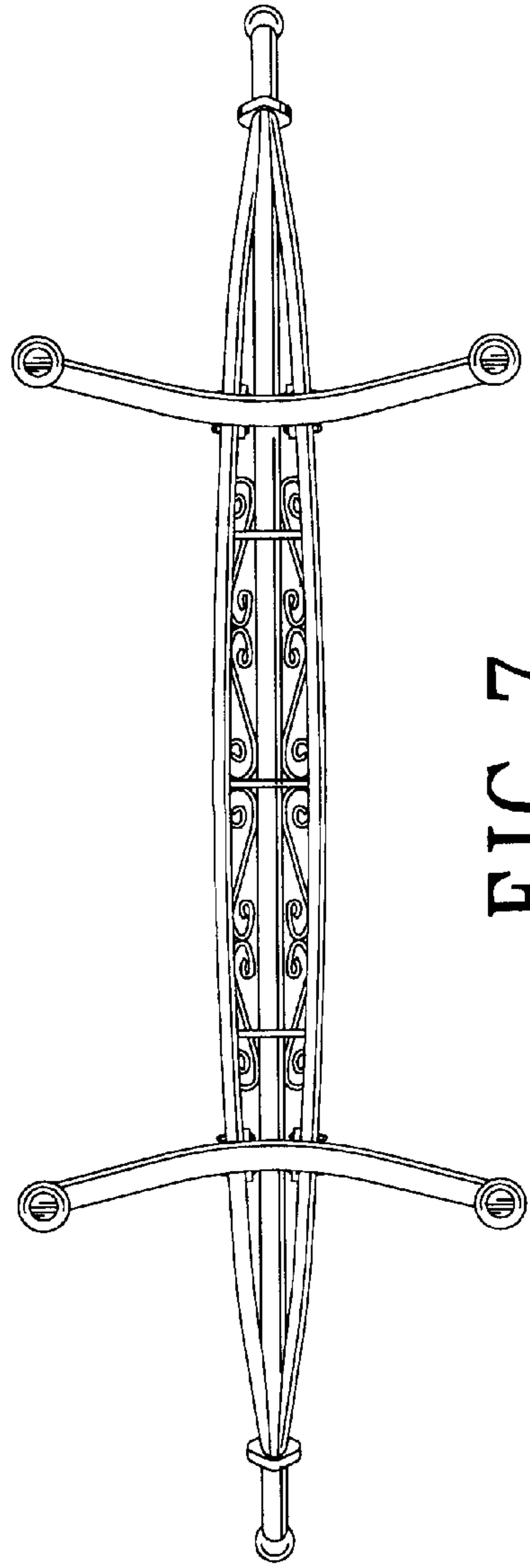


FIG. 7