



US00D458032S

(12) **United States Design Patent**
Er

(10) **Patent No.:** **US D458,032 S**

(45) **Date of Patent:** **** Jun. 4, 2002**

(54) **PAINTING TOOL**

6,036,392 A 3/2000 Er
6,098,240 A 8/2000 Taylor 15/230.11

(76) Inventor: **Poh Leong Er**, Block 2, No. 449,
Lorong 3 Geylang Singapore (SG),
388920

* cited by examiner

(**) Term: **14 Years**

Primary Examiner—Alan P. Douglas

Assistant Examiner—Lavone Tabor

(74) *Attorney, Agent, or Firm*—Lawrence Y. D. Ho &
Assoc.

(21) Appl. No.: **29/148,620**

(22) Filed: **Sep. 24, 2001**

(57) **CLAIM**

The ornamental design for a painting tool, as shown and
described.

(51) **LOC (7) Cl.** **08-05**

(52) **U.S. Cl.** **D4/122**

(58) **Field of Search** D4/122, 138, 199,
D4/114; 15/27, 104.002, 143.1, 230.11;
401/197, 203, 207; 492/13, 17, 19, 29

DESCRIPTION

FIG. 1 is a front perspective view of a painting tool, showing
my new design;

FIG. 2 is a front view thereof;

FIG. 3 is a rear view thereof;

FIG. 4 is a right side view thereof;

FIG. 5 is a left side view thereof;

FIG. 6 is a plan view thereof; and,

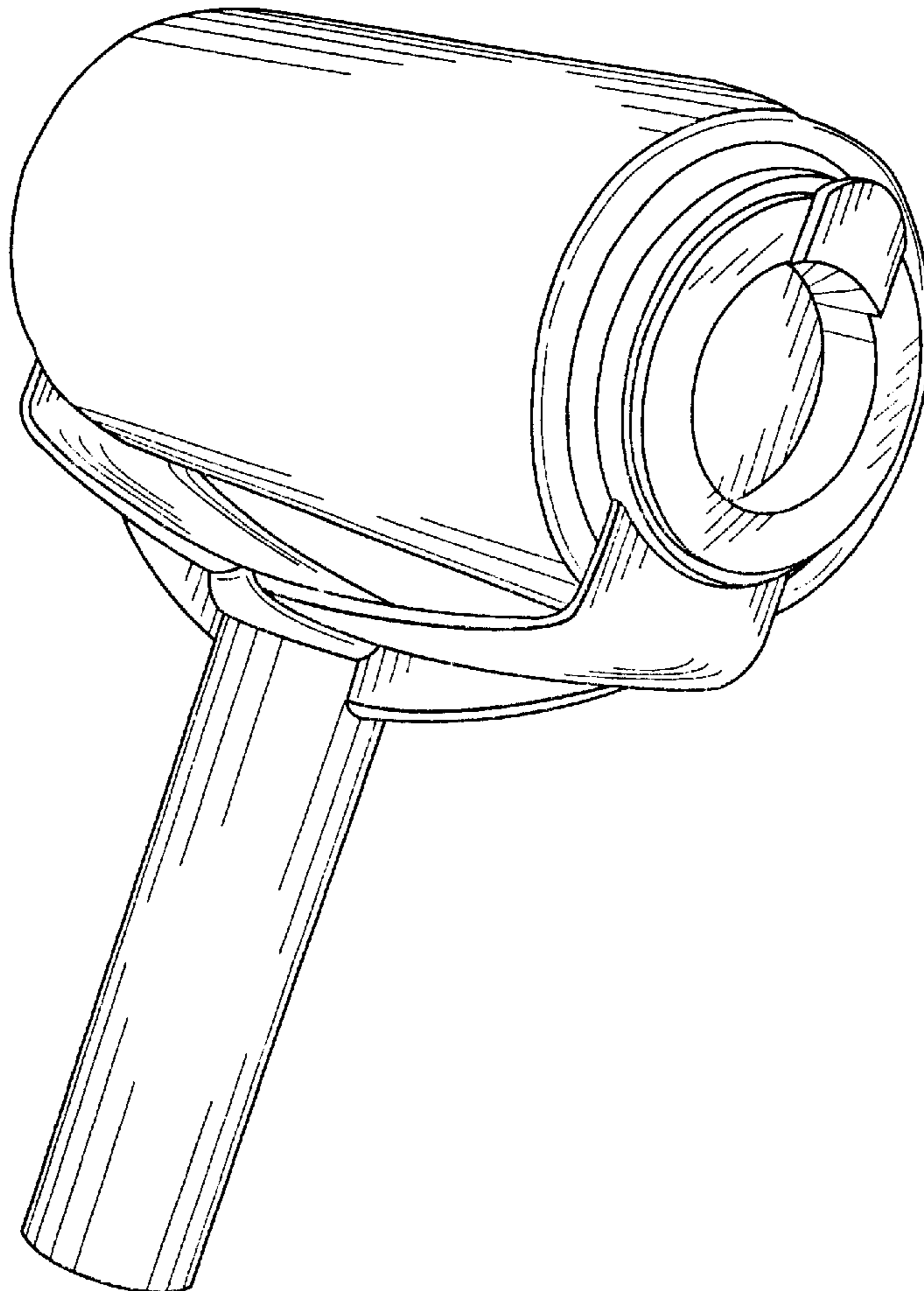
FIG. 7 is a bottom view thereof.

(56) **References Cited**

U.S. PATENT DOCUMENTS

2,592,969 A * 4/1952 Stachowiak 15/104.002
3,588,264 A * 6/1971 Mallindine 401/197 X
3,937,583 A * 2/1976 Tyson et al. 401/197
D336,163 S * 6/1993 Yen D4/122

1 Claim, 3 Drawing Sheets



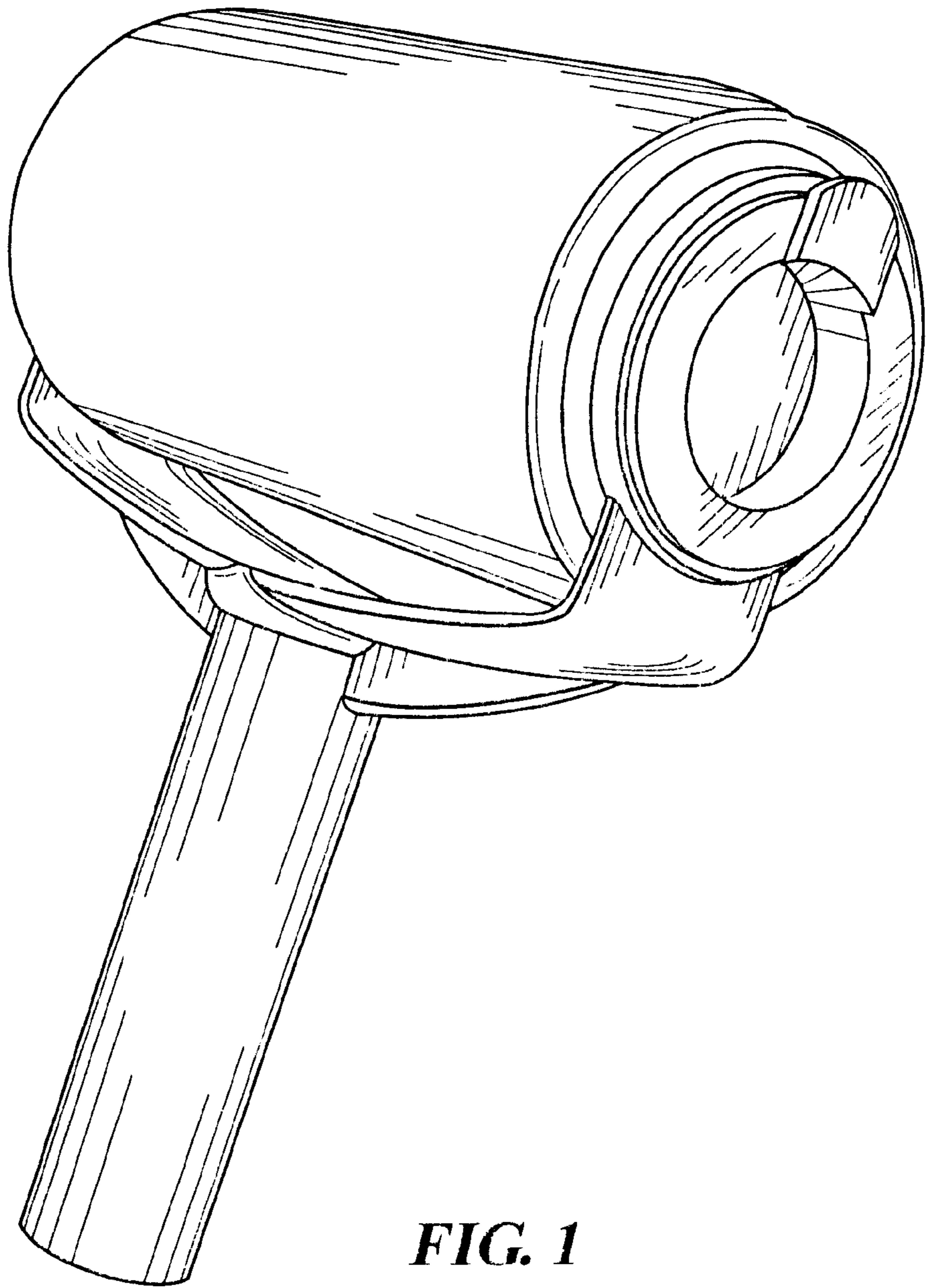


FIG. 1

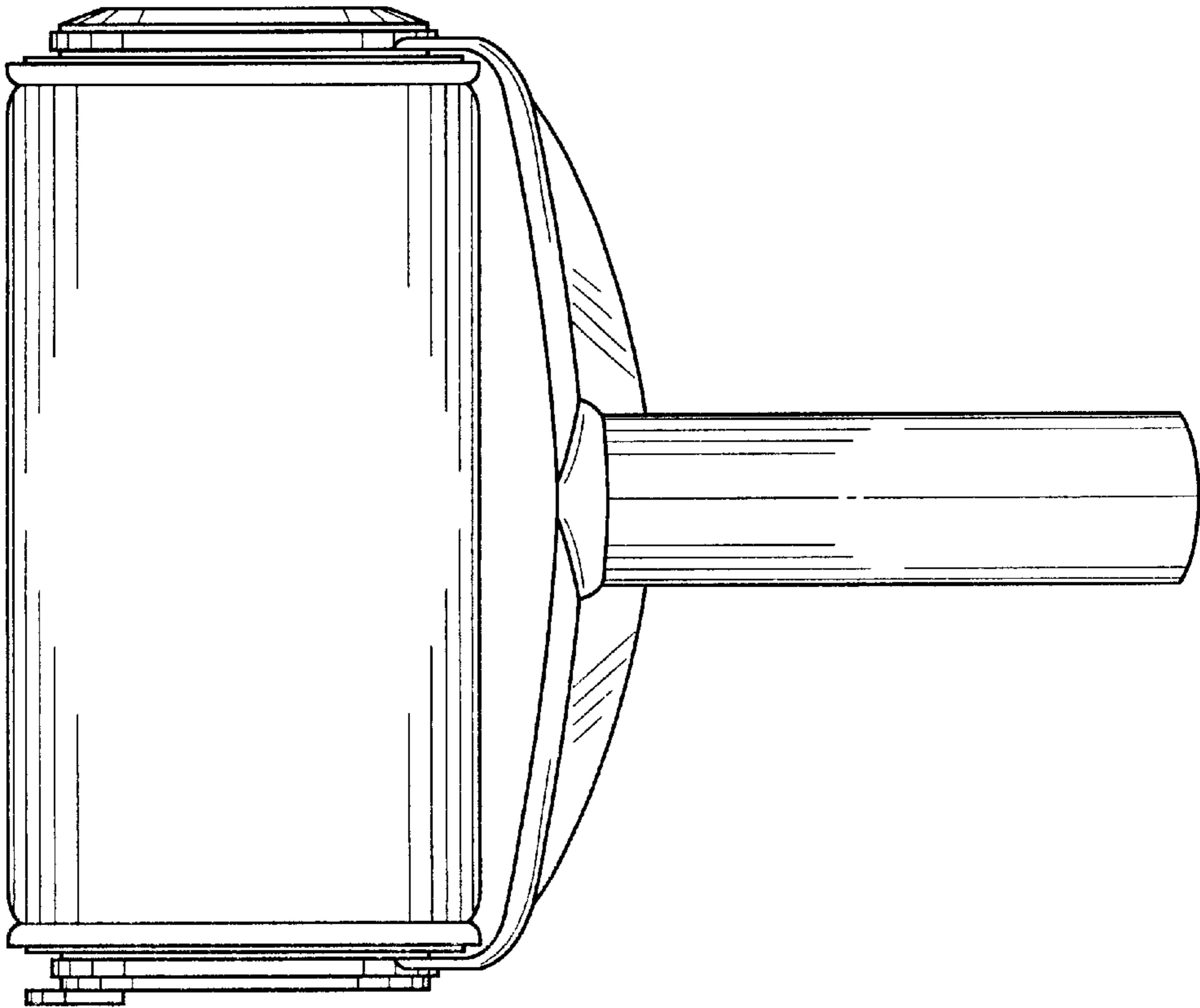


FIG. 3

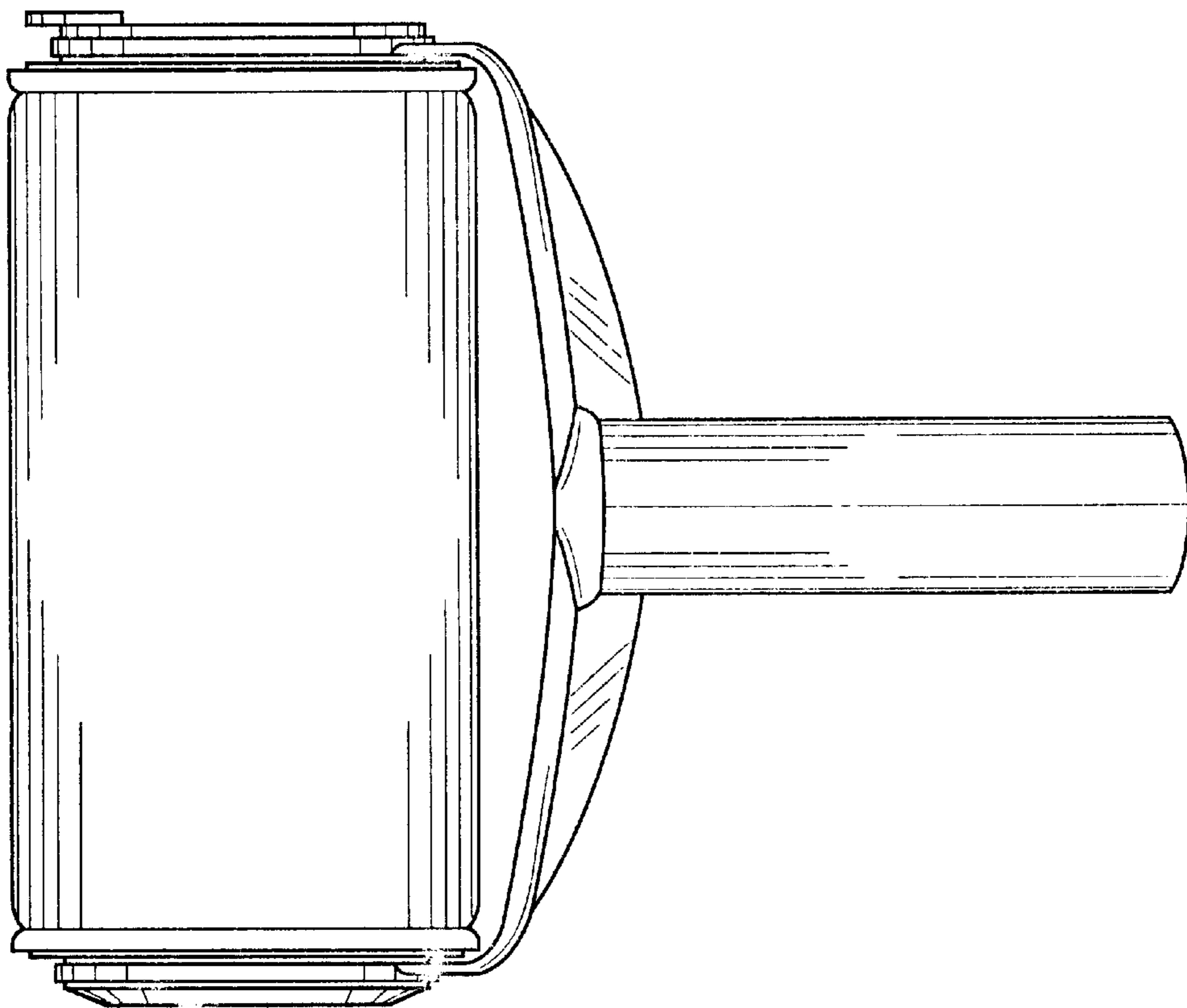


FIG. 2

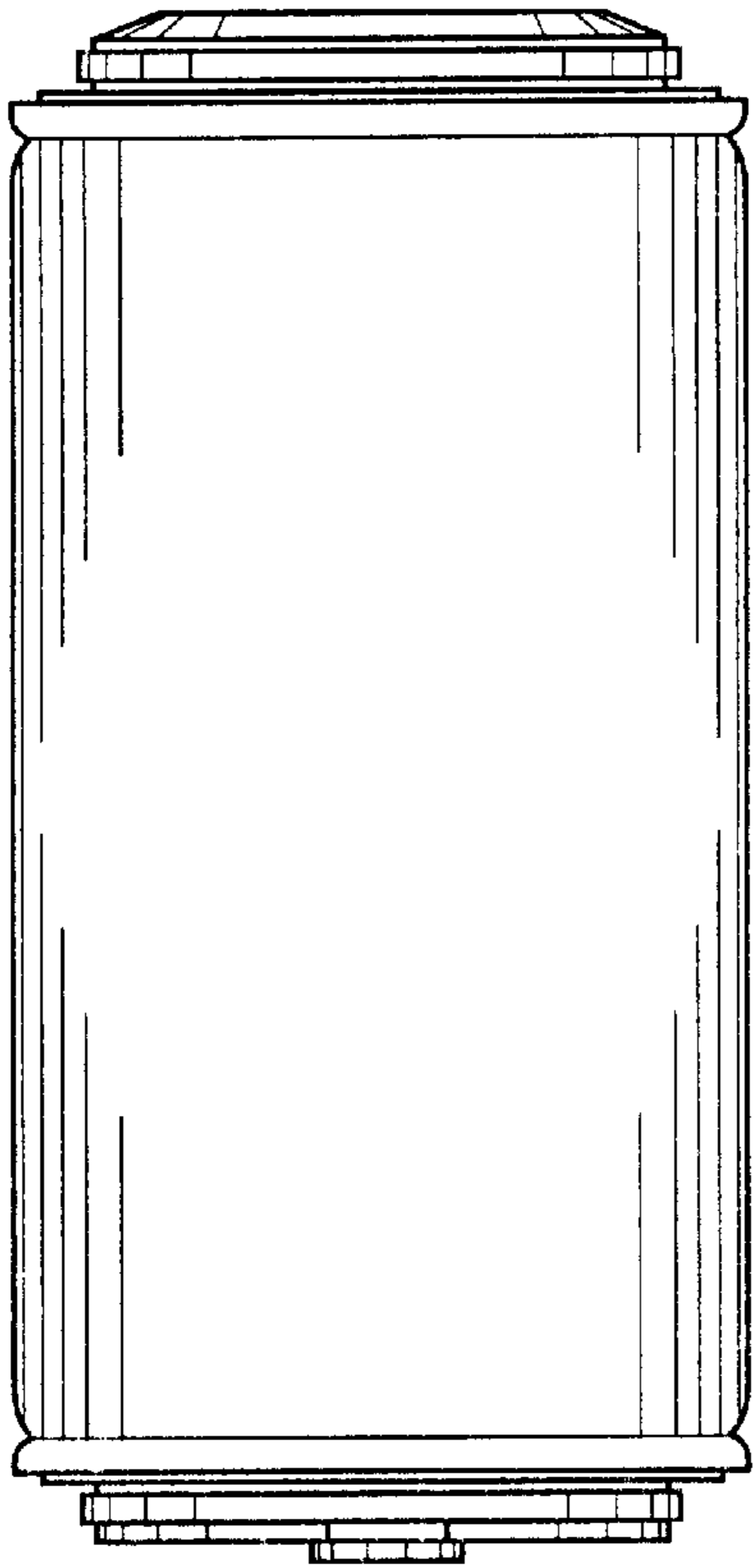


FIG. 6

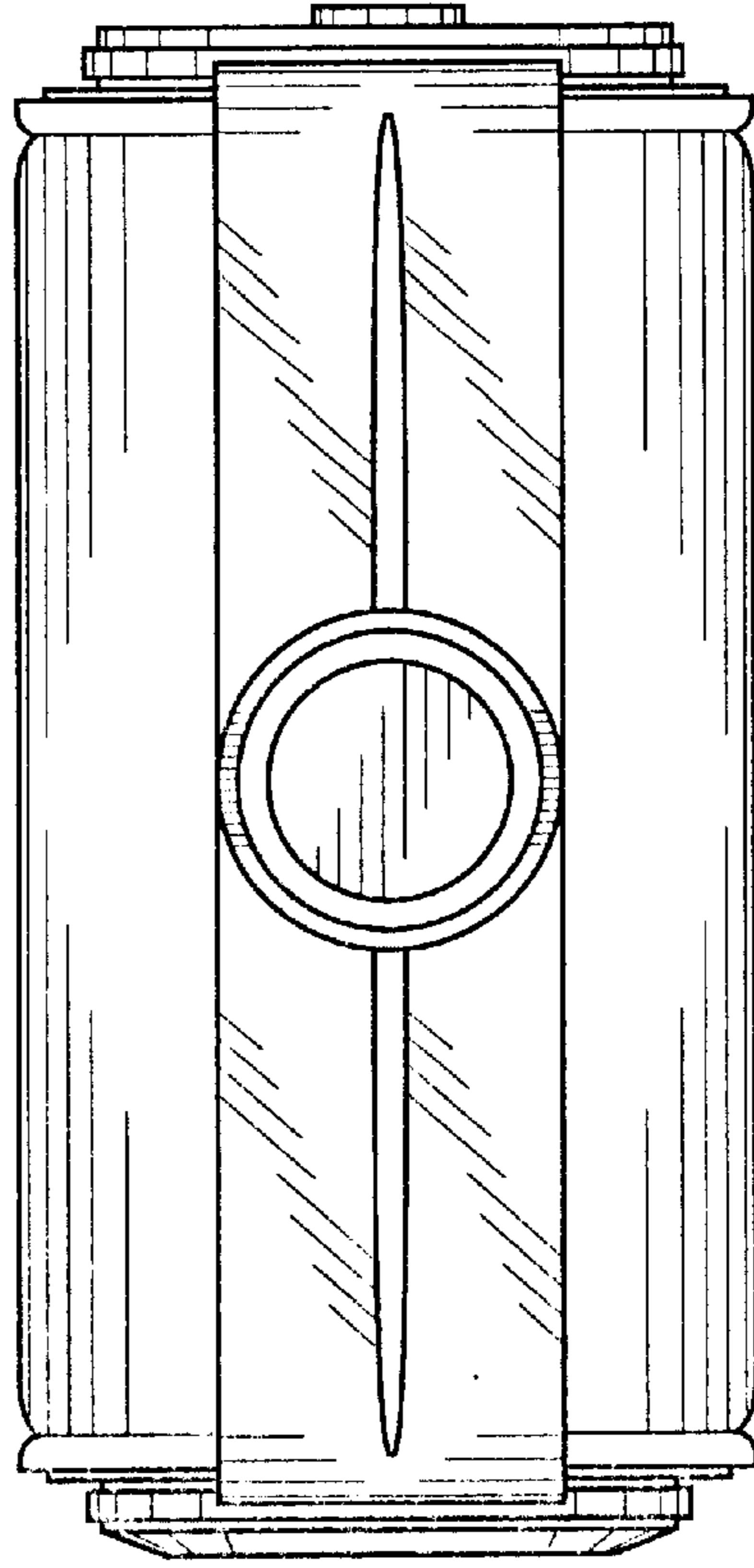


FIG. 7

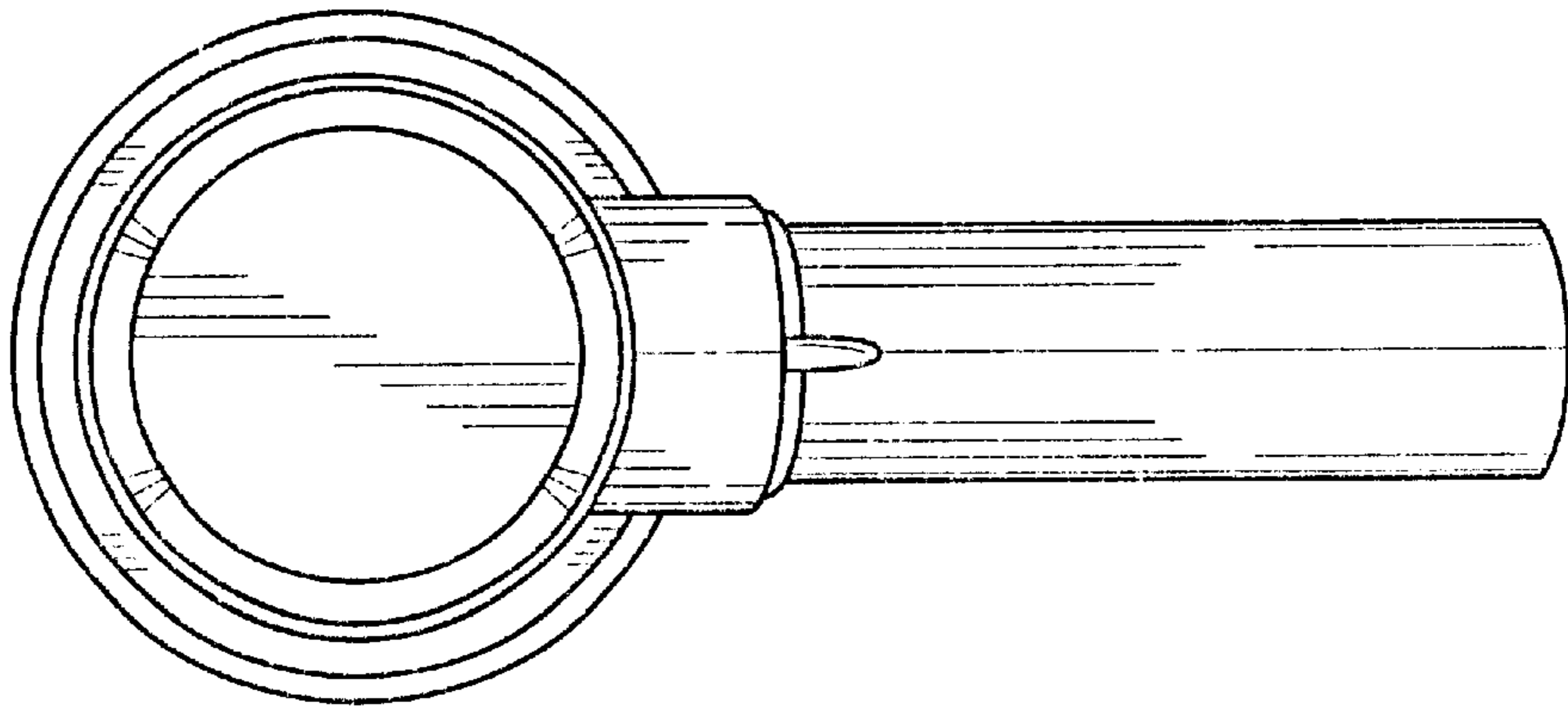


FIG. 5

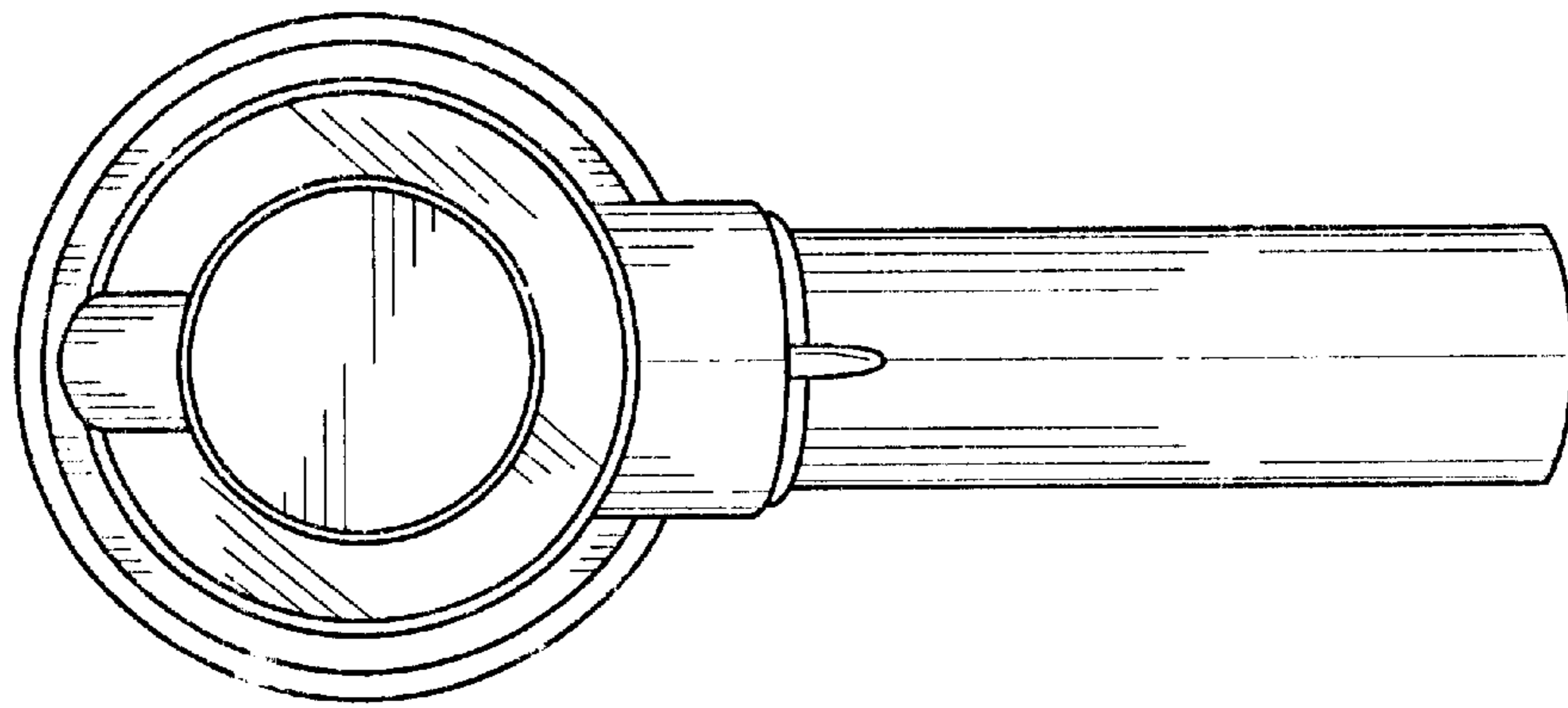


FIG. 4