



US00D458031S

(12) **United States Design Patent**
Park

(10) **Patent No.:** **US D458,031 S**

(45) **Date of Patent:** **** Jun. 4, 2002**

(54) **MINI FACIAL BRUSH**

(75) Inventor: **IL-Yong Park**, Seoul (KR)

(73) Assignee: **Shinwoo Union Co., Ltd.**, Seoul (KR)

(**) Term: **14 Years**

(21) Appl. No.: **29/144,281**

(22) Filed: **Jul. 2, 2001**

(51) **LOC (7) Cl.** **04-02**

(52) **U.S. Cl.** **D4/121; D4/127**

(58) **Field of Search** D4/114, 116, 121,
D4/127, 130, 138; 15/105, 143.1, 159.1,
160, 186, 187, 191.1, 258; 132/289, 290

(56) **References Cited**

U.S. PATENT DOCUMENTS

124,984 A	*	3/1872	Sweetser	15/258
D197,762 S	*	3/1964	Lussler et al.	D4/114
D201,428 S	*	6/1965	Kellis	D4/114
D262,672 S	*	1/1982	Chase et al.	D4/127
D262,904 S	*	2/1982	Markwood et al.	D4/116 X

D417,961 S * 12/1999 Powls, Jr. D4/127

* cited by examiner

Primary Examiner—Alan P. Douglas

Assistant Examiner—Lavone Tabor

(74) *Attorney, Agent, or Firm*—Greenblum & Bernstein, P.L.C.

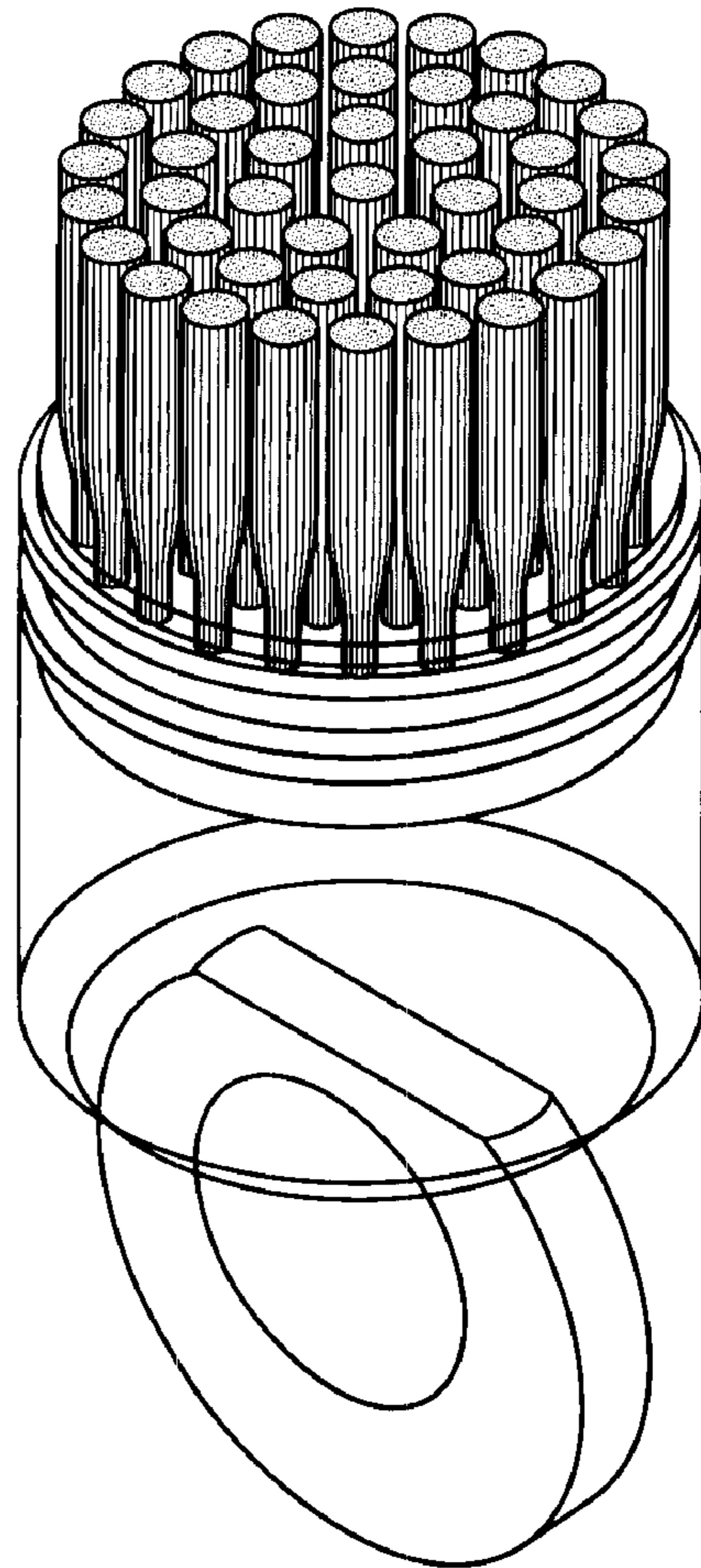
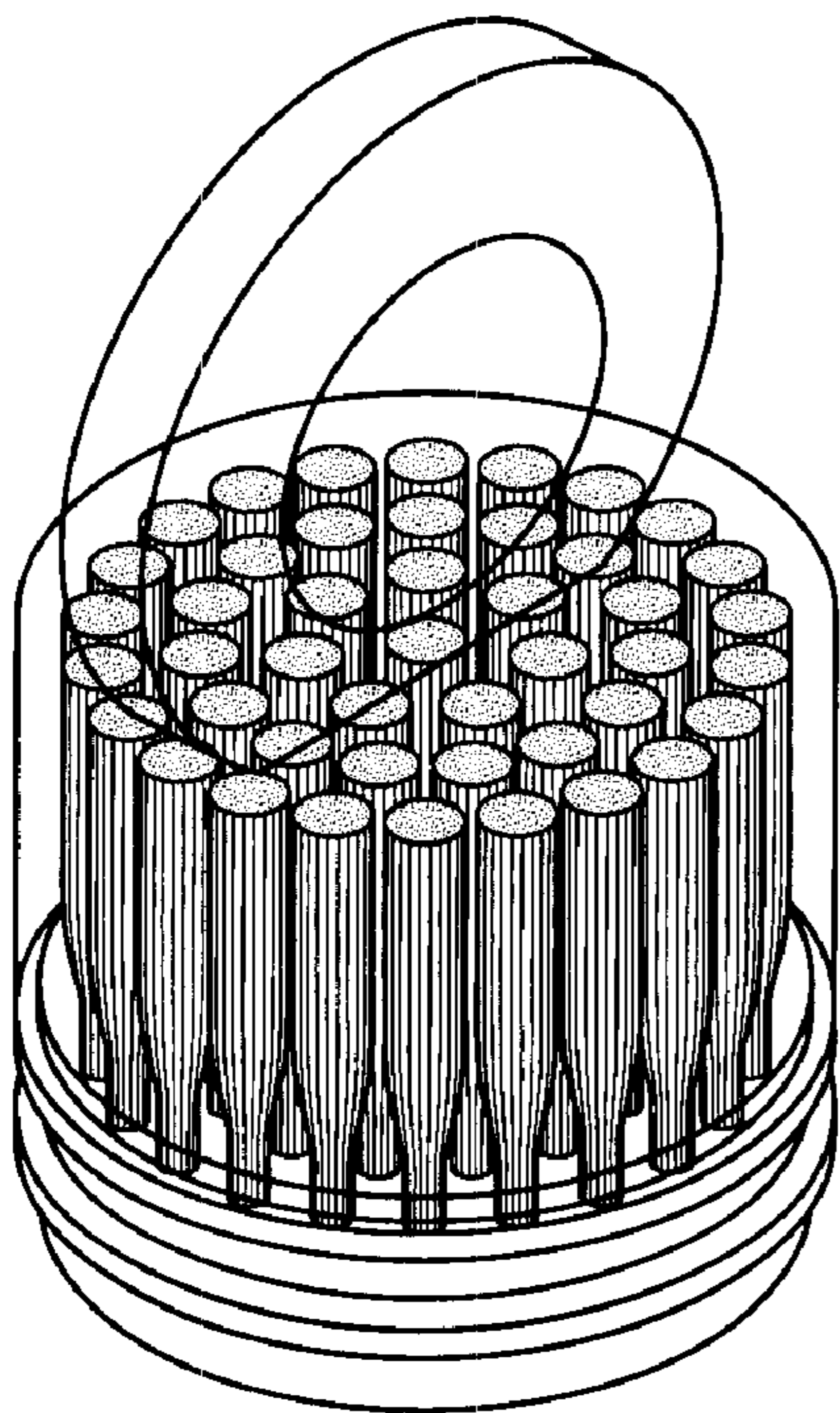
(57) **CLAIM**

The ornamental design for a mini facial brush, as shown.

DESCRIPTION

FIG. 1 is a front elevational view of a mini facial brush showing my new design;
FIG. 2 is a rear elevational view thereof;
FIG. 3 is a left side elevational view thereof;
FIG. 4 is a right side elevational view thereof;
FIG. 5 is a top plan view thereof;
FIG. 6 is a bottom plan view thereof;
FIG. 7 is a perspective view thereof; and,
FIG. 8 is a perspective view thereof, with the cover shown in an alternate position.

1 Claim, 5 Drawing Sheets



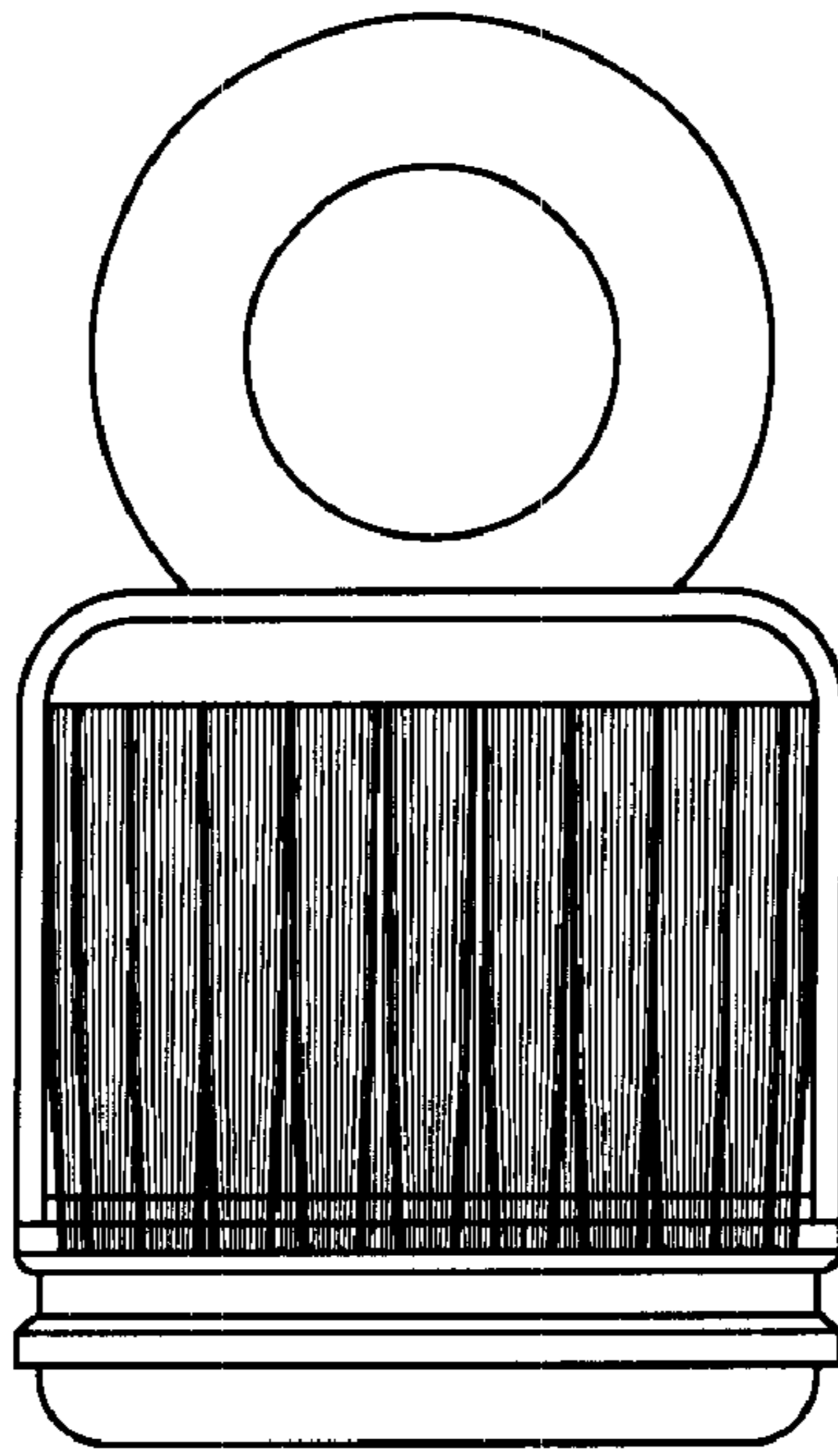


FIG. 1

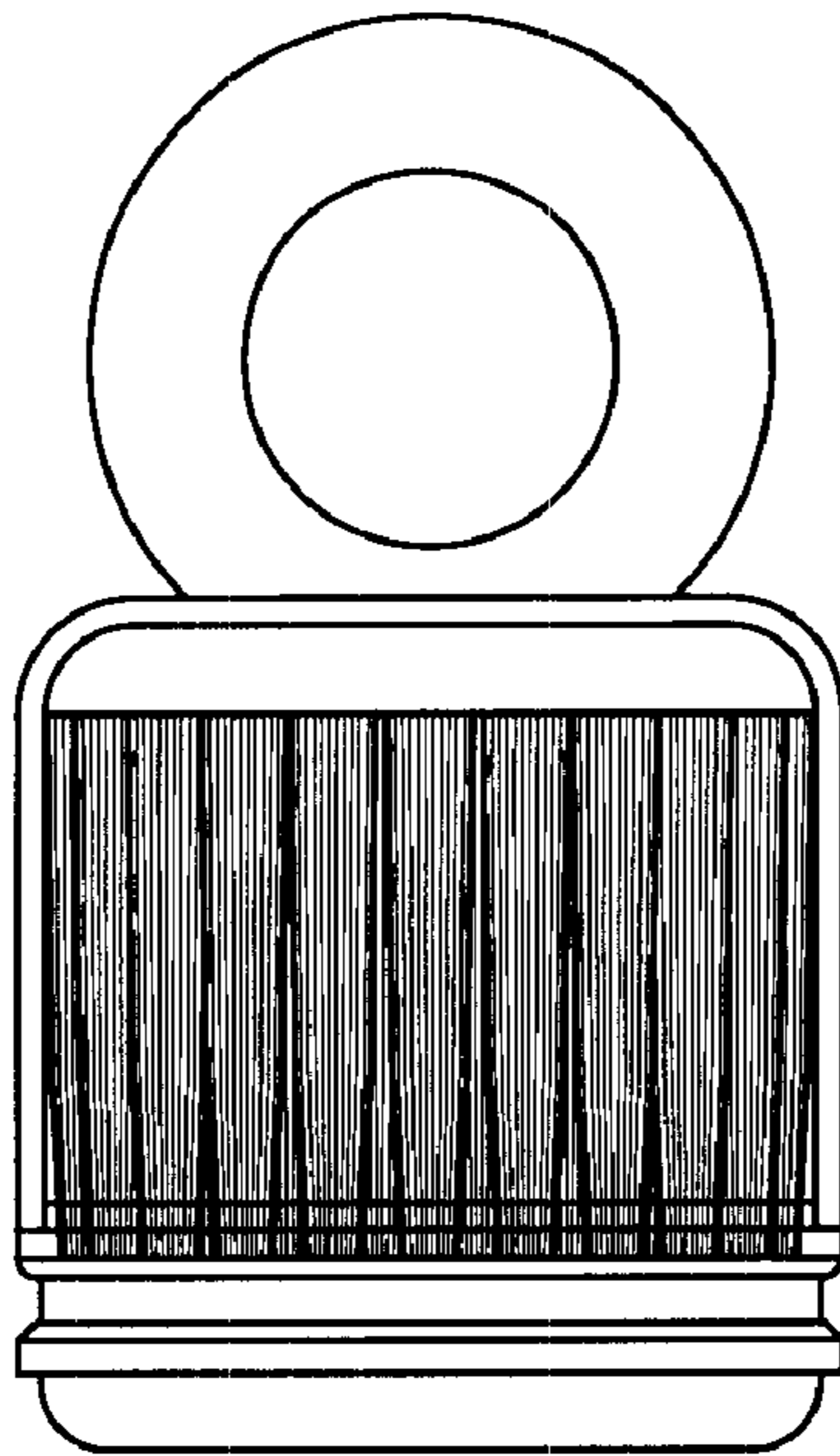


FIG. 2

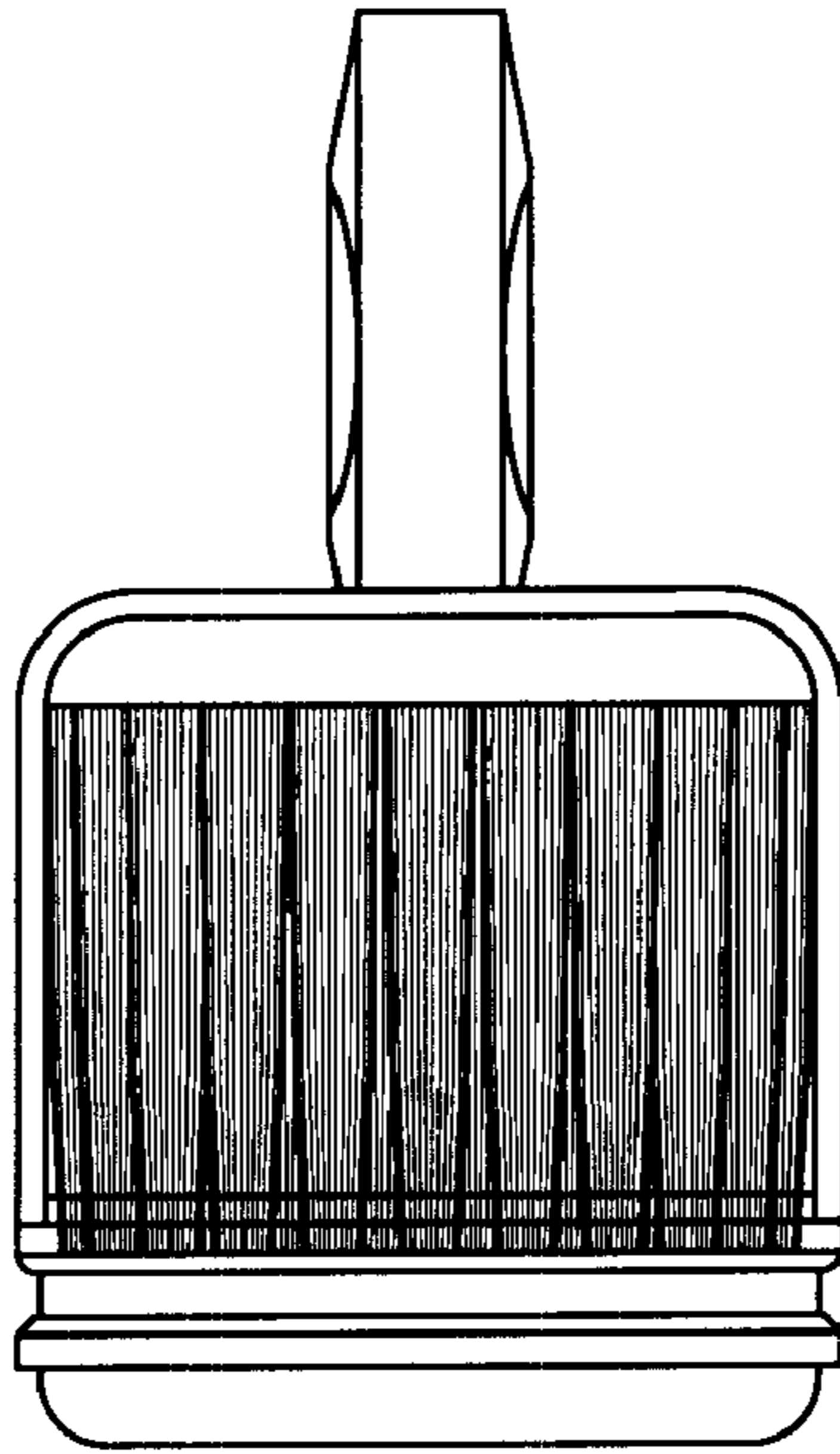


FIG. 3

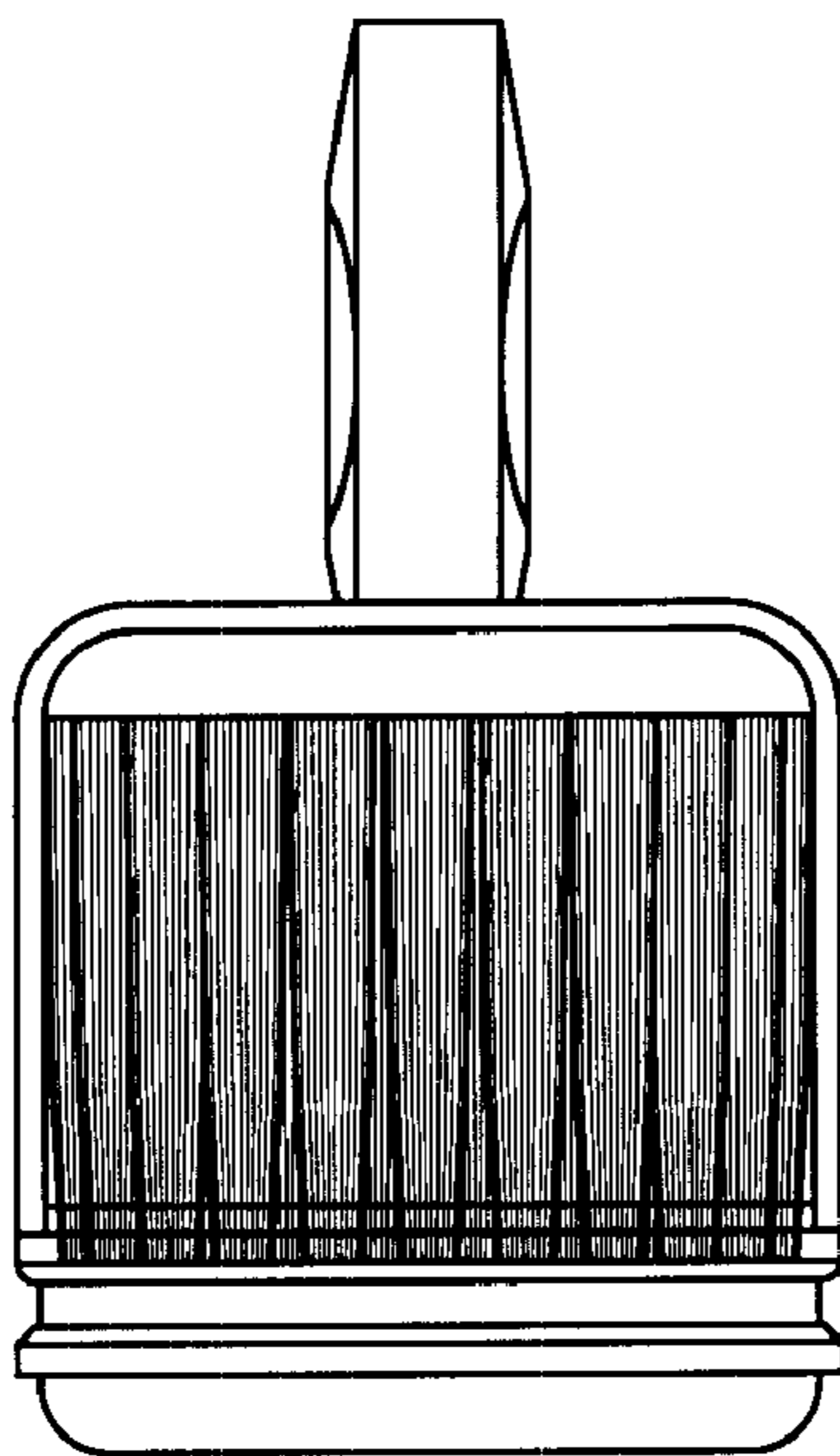


FIG. 4

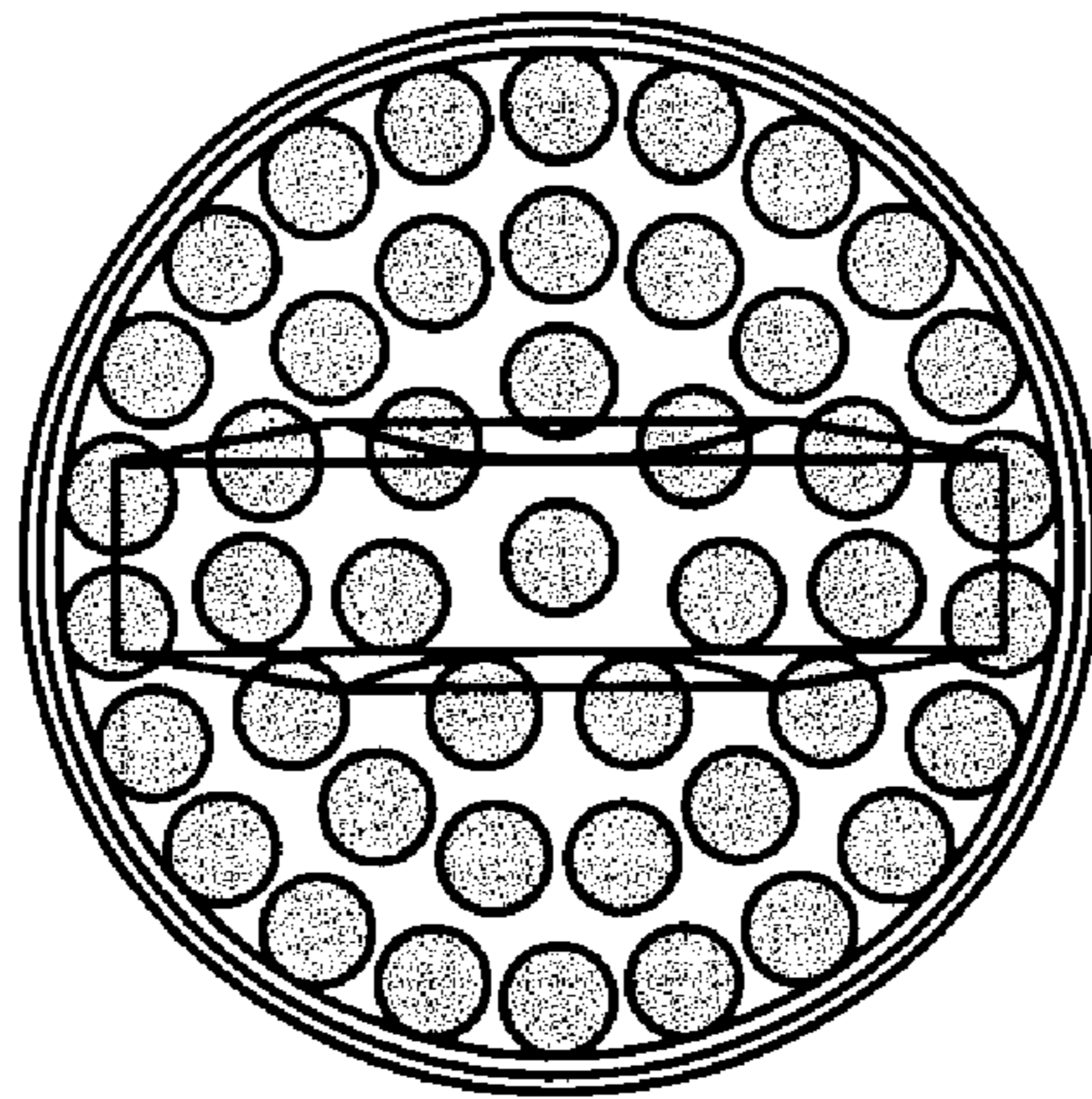


FIG. 5

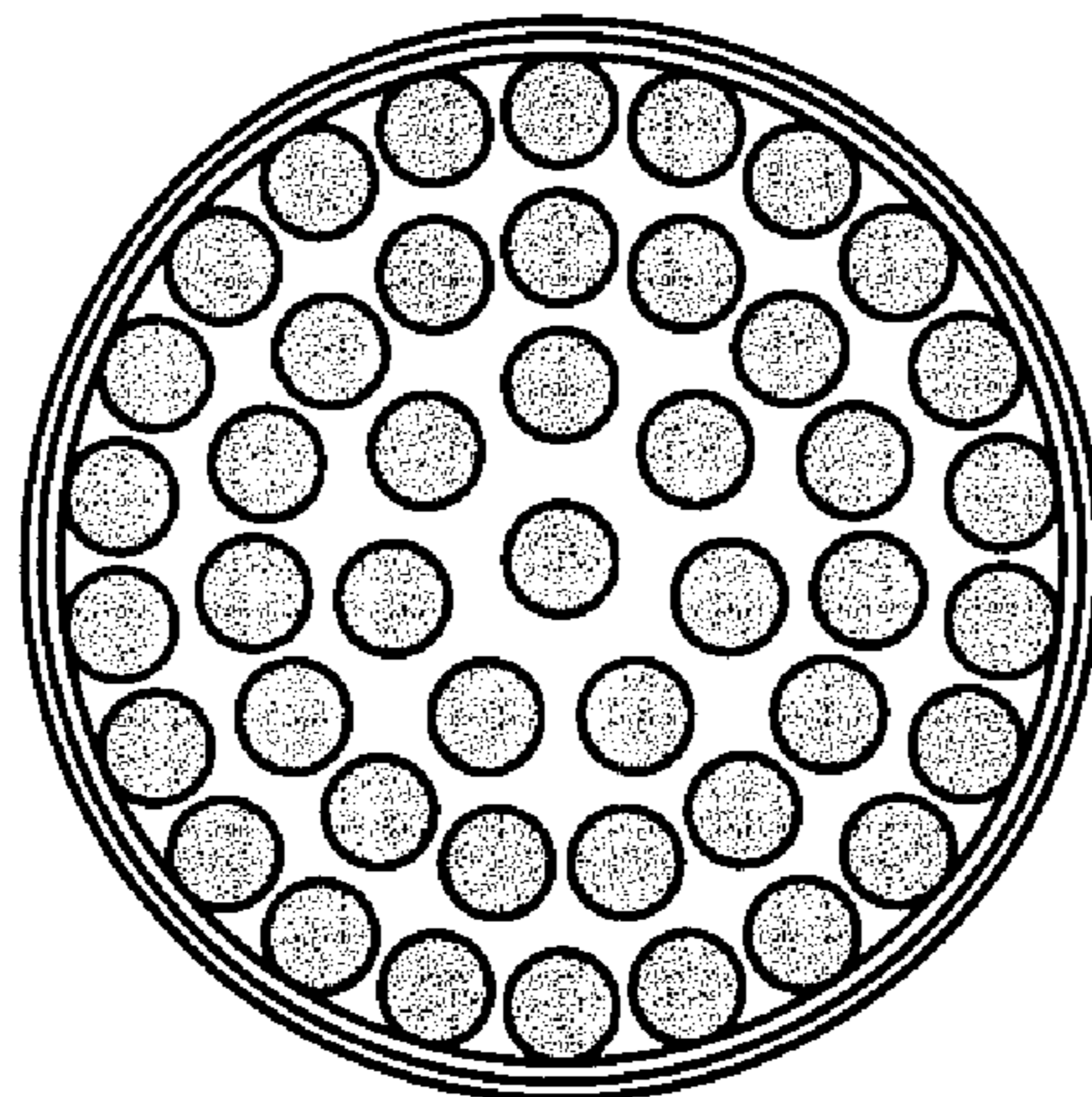


FIG. 6

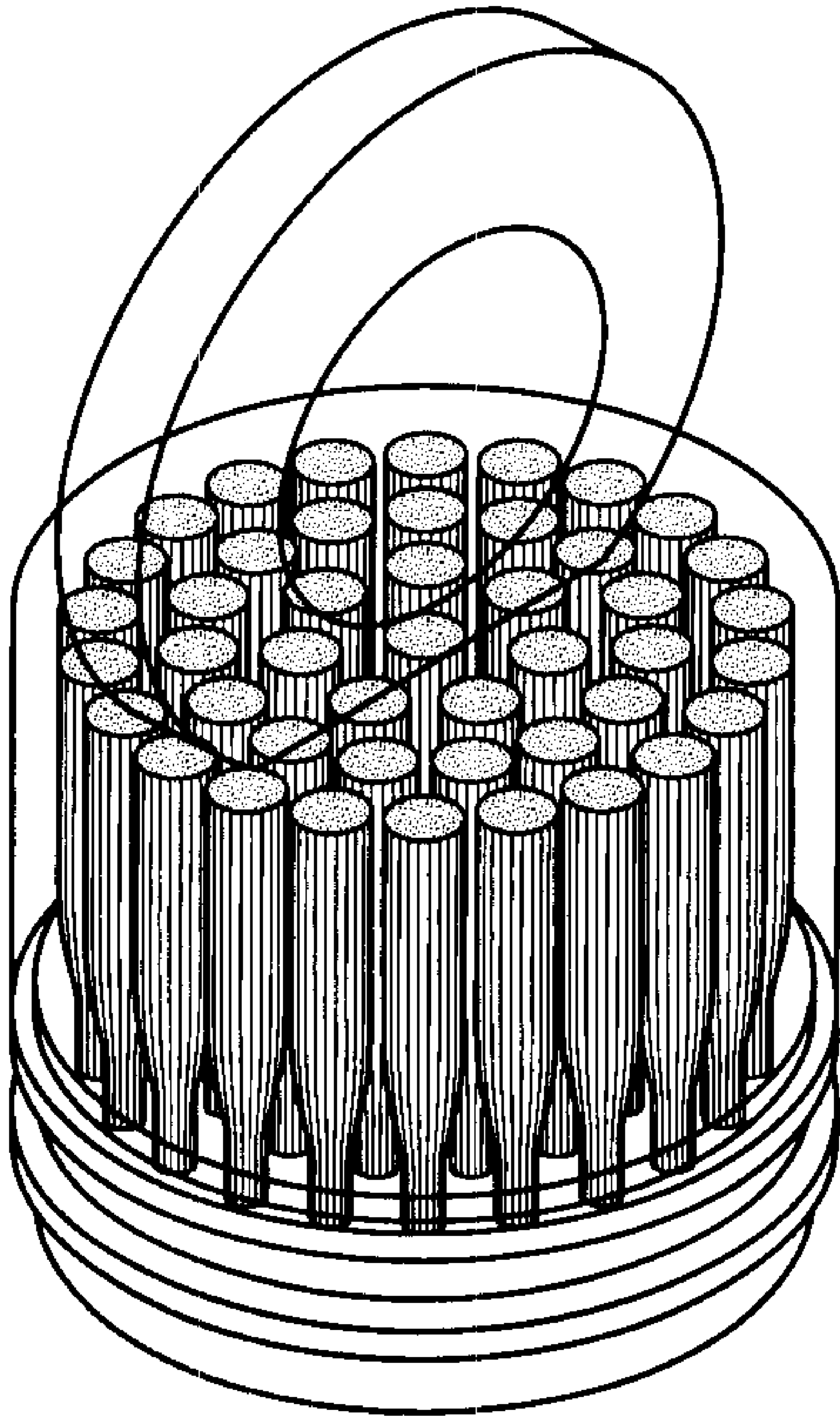


FIG. 7

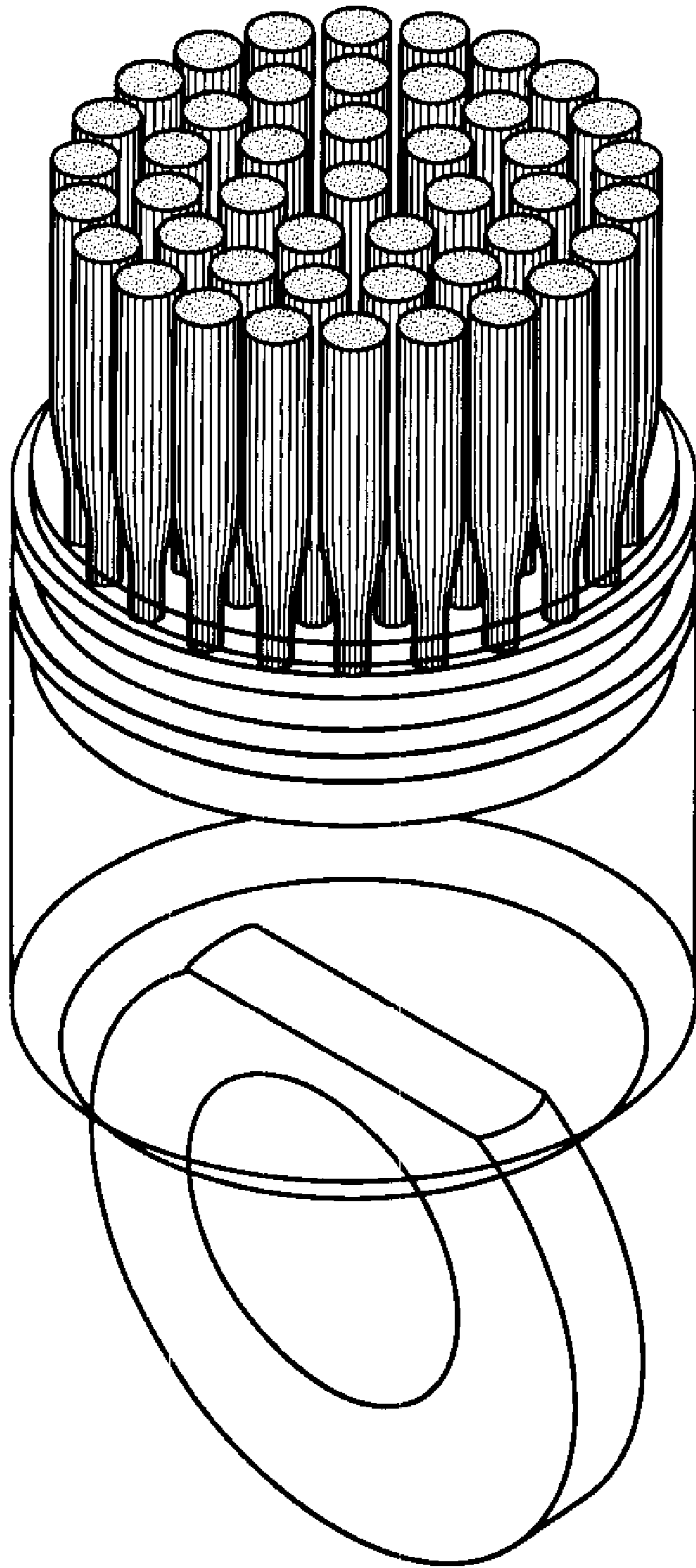


FIG. 8