



US00D458016S

(12) **United States Design Patent**
Christianson

(10) **Patent No.:** **US D458,016 S**

(45) **Date of Patent:** **** Jun. 4, 2002**

(54) **TRAVEL PILL DISPENSER**

(75) **Inventor:** **Tristan M. Christianson**, San Francisco, CA (US)

(73) **Assignee:** **Sharper Image Corporation**, San Francisco, CA (US)

(**) **Term:** **14 Years**

(21) **Appl. No.:** **29/144,436**

(22) **Filed:** **Jul. 2, 2001**

(51) **LOC (7) Cl.** **03-01**

(52) **U.S. Cl.** **D3/203**

(58) **Field of Search** D3/203, 201, 283,
D3/274; D9/341, 448, 347, 339; 206/533,
534, 538, 704; D24/226

(56) **References Cited**

U.S. PATENT DOCUMENTS

3,722,743 A	3/1973	Atchley	221/77
D355,770 S	2/1995	Taylor et al.	D6/315
5,474,187 A	12/1995	Taylor et al.	211/1.56
D380,378 S	* 7/1997	Wood	D9/341
5,645,173 A	7/1997	Taylor et al.	211/1.56
D398,444 S	* 9/1998	Ricci	D3/203
D403,498 S	* 1/1999	Humble	D3/203
D423,111 S	* 4/2000	Davis et al.	D3/203 X
D430,392 S	* 9/2000	Noble	D3/203
D444,056 S	* 6/2001	Lo	D9/341

OTHER PUBLICATIONS

The Sharper Image Mar. 2000 Catalogue, Item No. SI614, Quiet Power Tie Rack.

Webpage download from <http://www.eldercarechoice.com/benefits.html>, downloaded on Mar. 12, 2001, Med-time Automatic Medication Dispenser, 3 pages.

Pillmate PD-503 User Manual, document #01-PX070-9002, 2 pages.

* cited by examiner

Primary Examiner—Catherine R. Oliver

(74) *Attorney, Agent, or Firm*—Fliesler Dubb Meyer & Lovejoy LLP

(57) **CLAIM**

The ornamental design for a travel pill dispenser, as shown and described.

DESCRIPTION

FIG. 1 is a top perspective view of a travel pill dispenser showing my new design;

FIG. 2 is a bottom perspective view thereof;

FIG. 3 is a top view thereof;

FIG. 4 is a bottom view thereof;

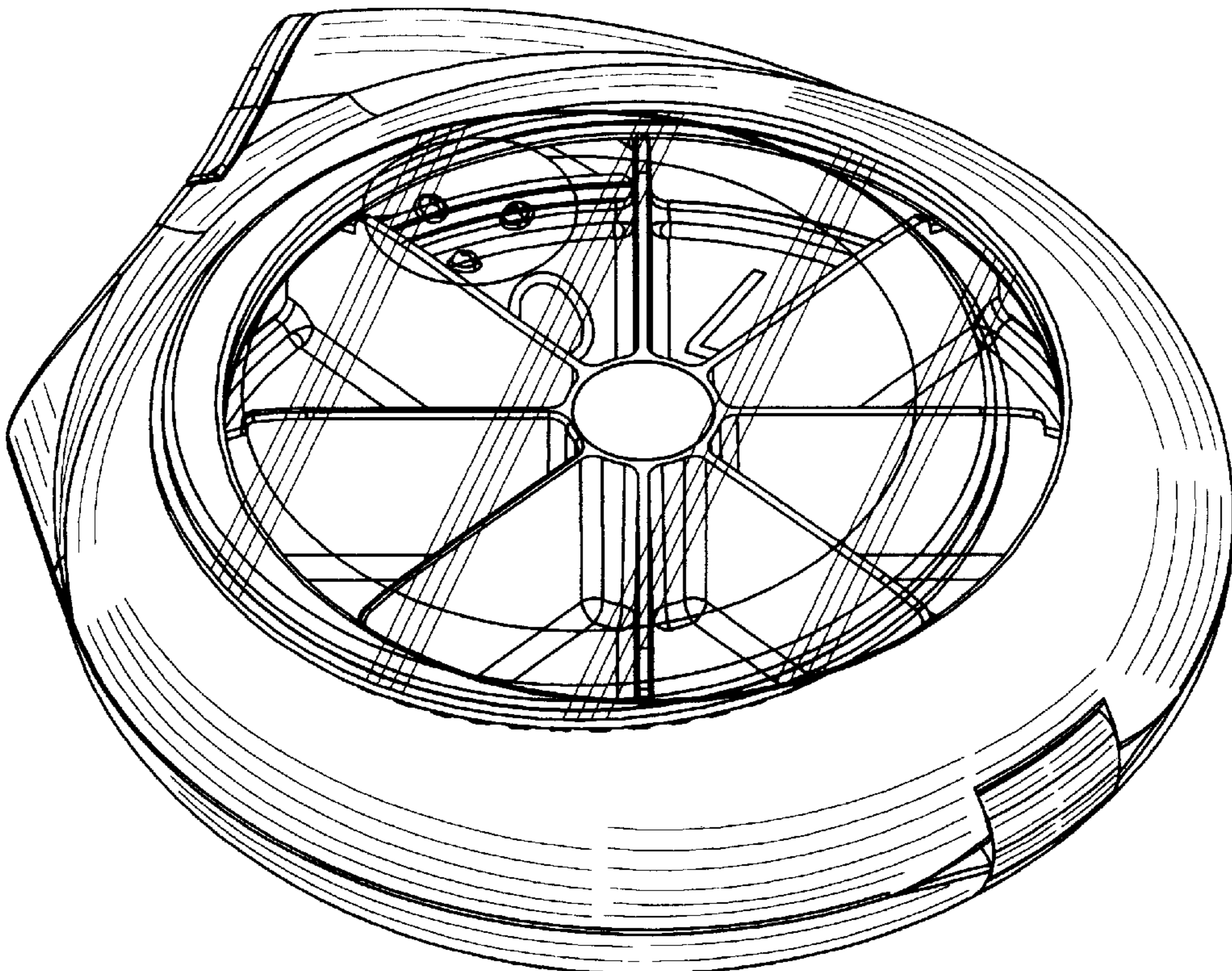
FIG. 5 is a right side view thereof;

FIG. 6 is a left side view thereof;

FIG. 7 is an opposite side view of the dispensing end thereof; and,

FIG. 8 is a side view of the dispensing end thereof.

1 Claim, 4 Drawing Sheets



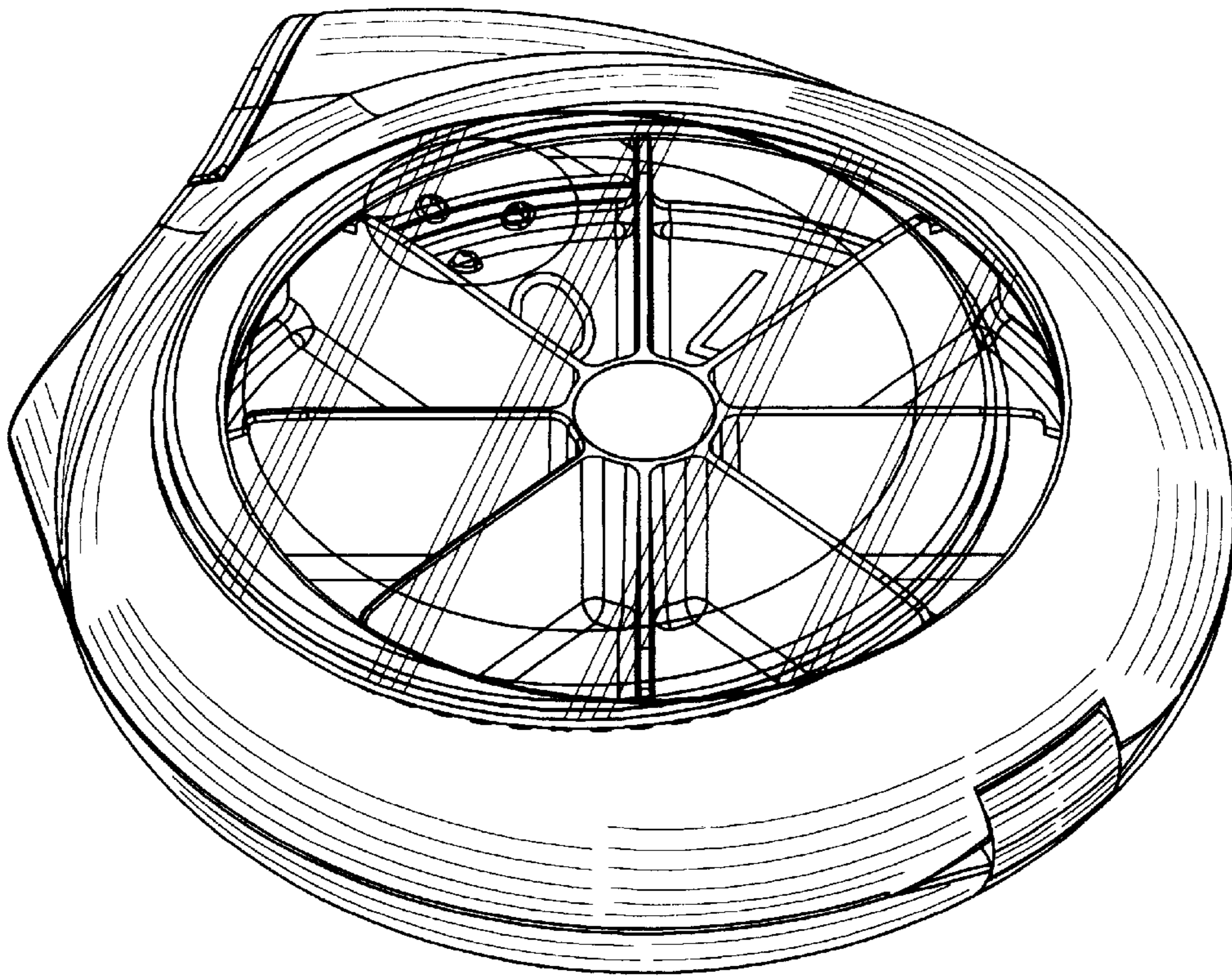


FIG. - 1

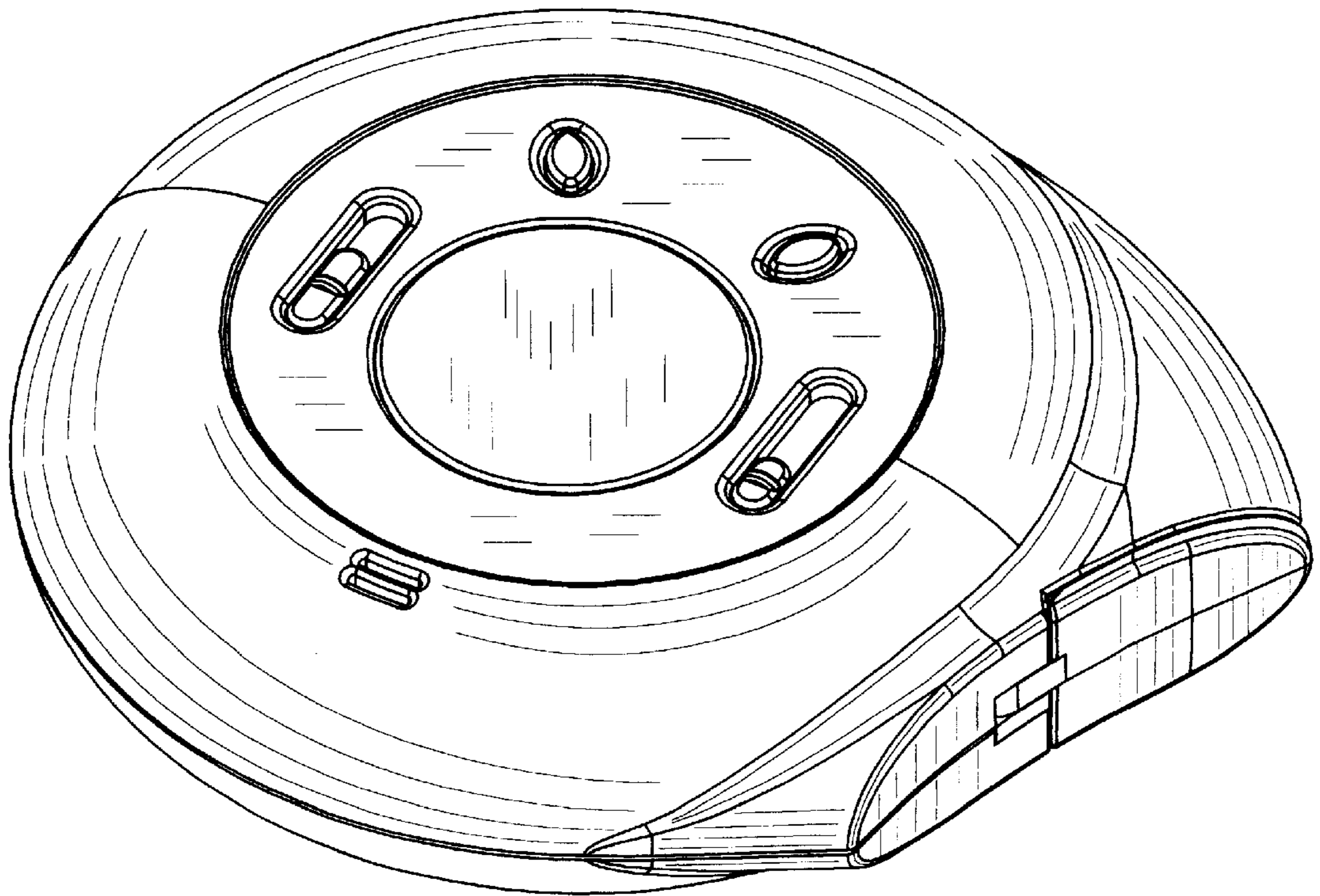


FIG. - 2

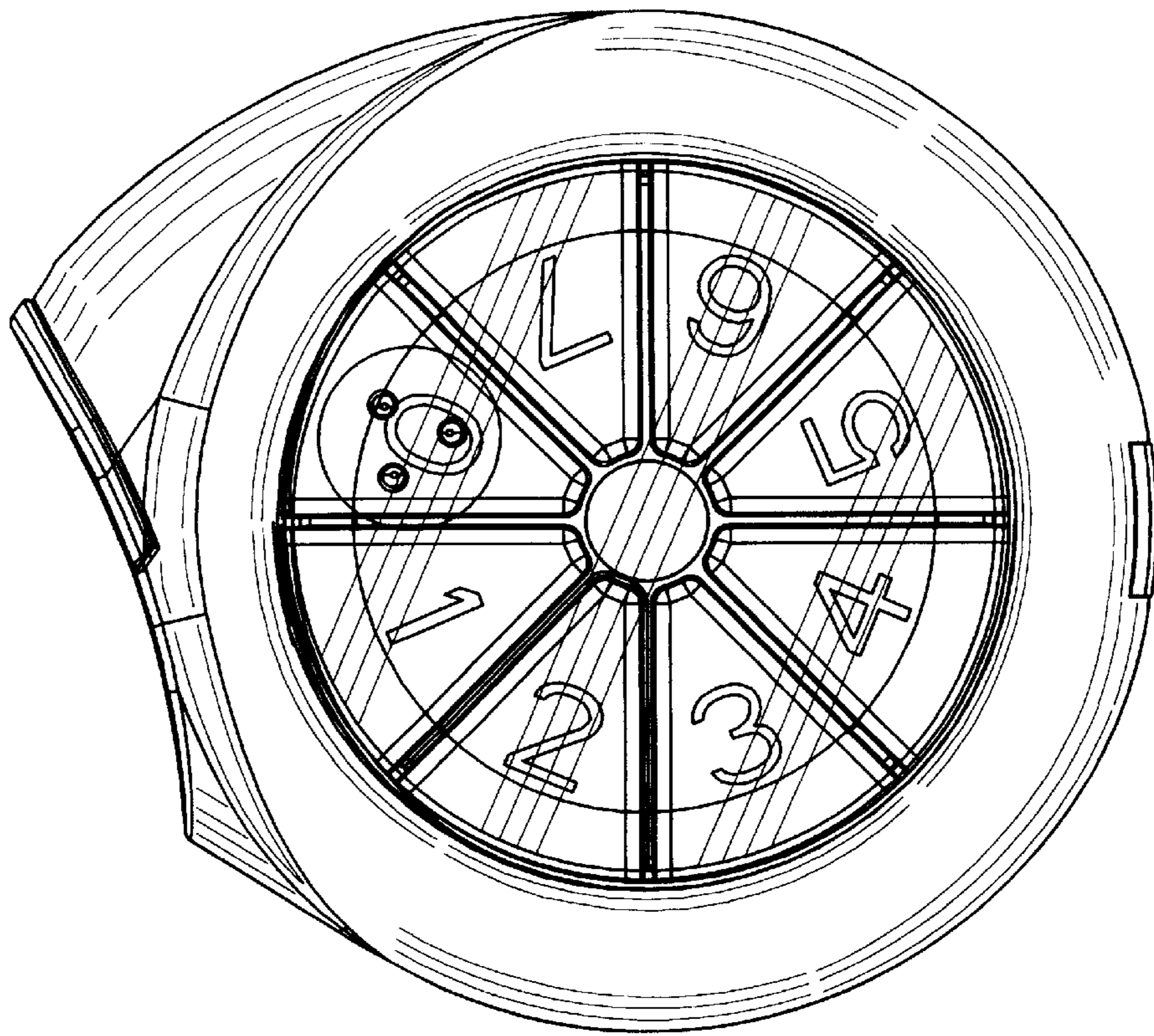


FIG. - 3

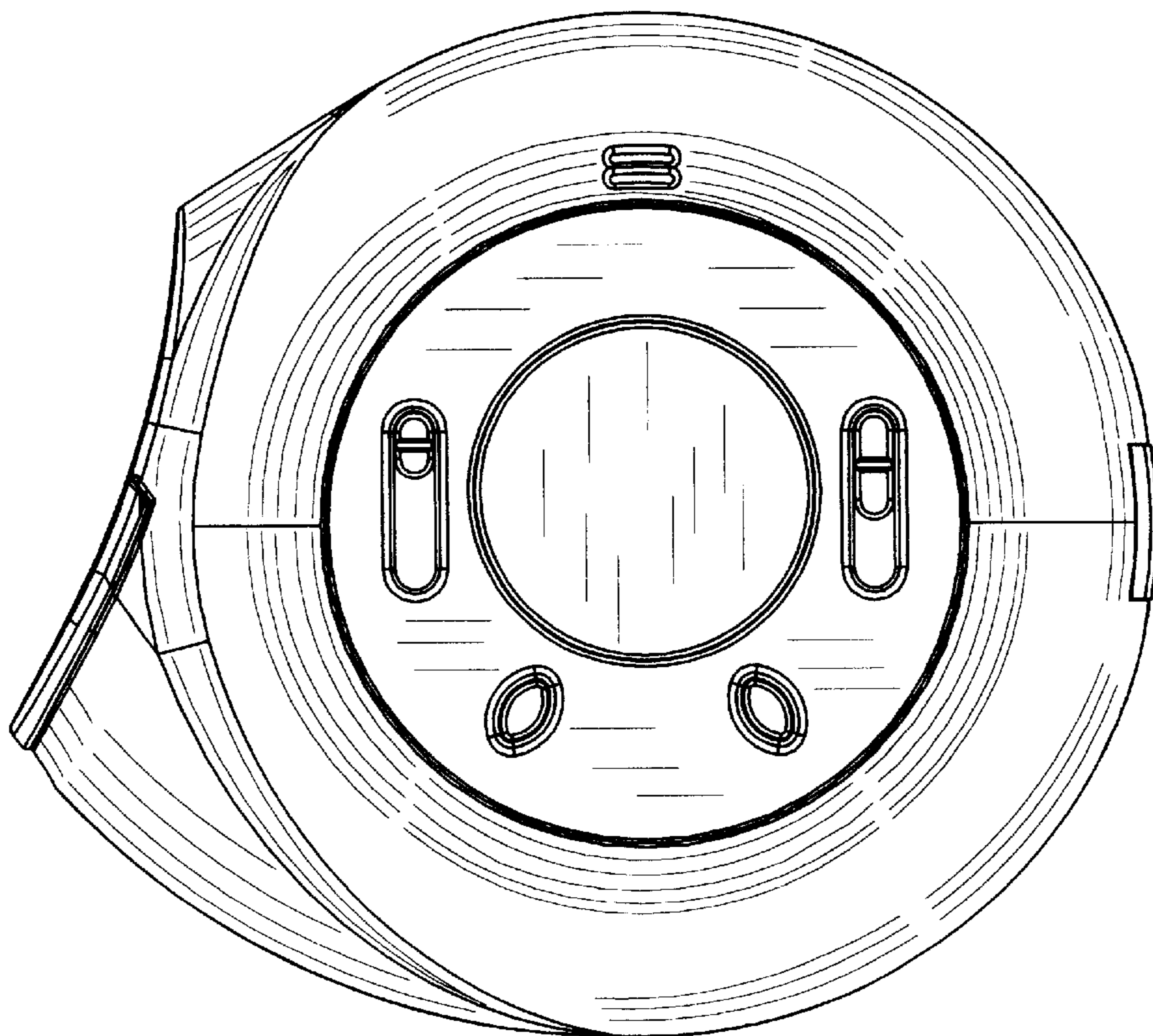


FIG. - 4

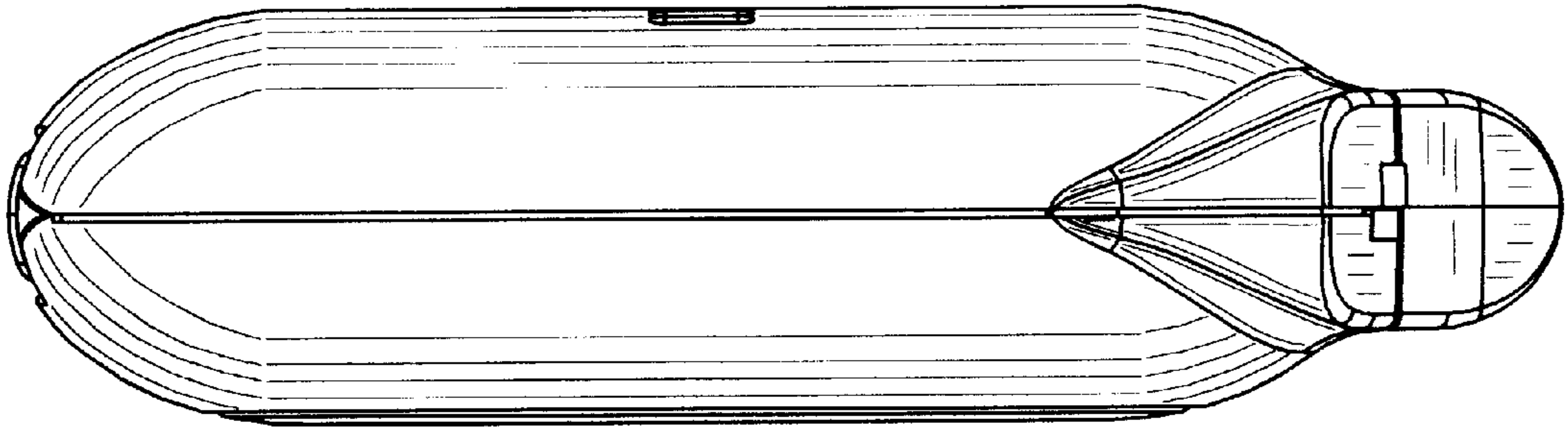


FIG. - 5

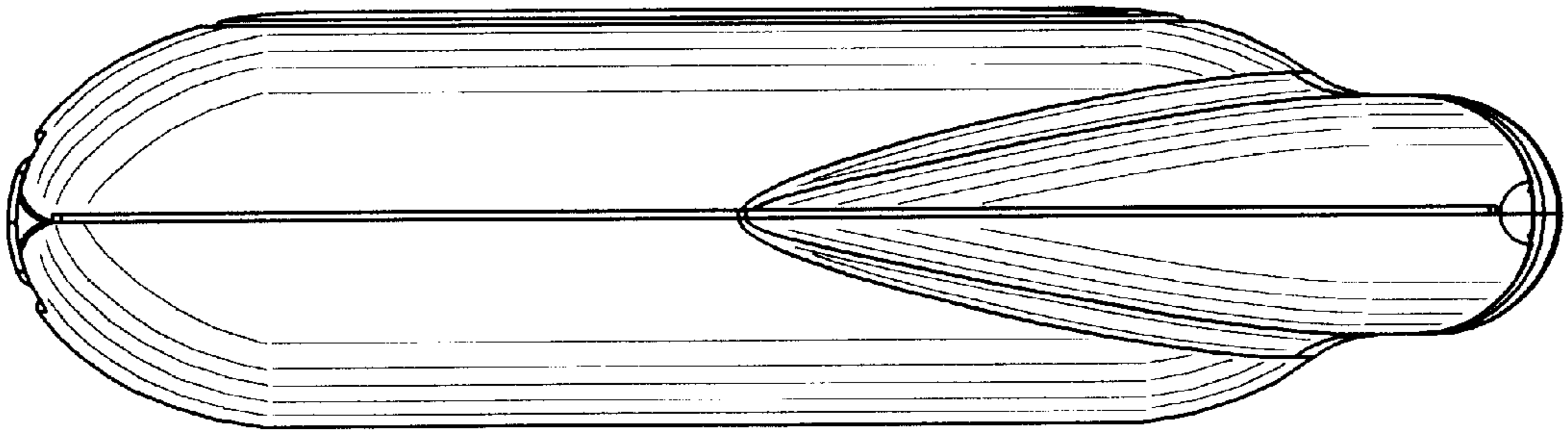


FIG. - 6

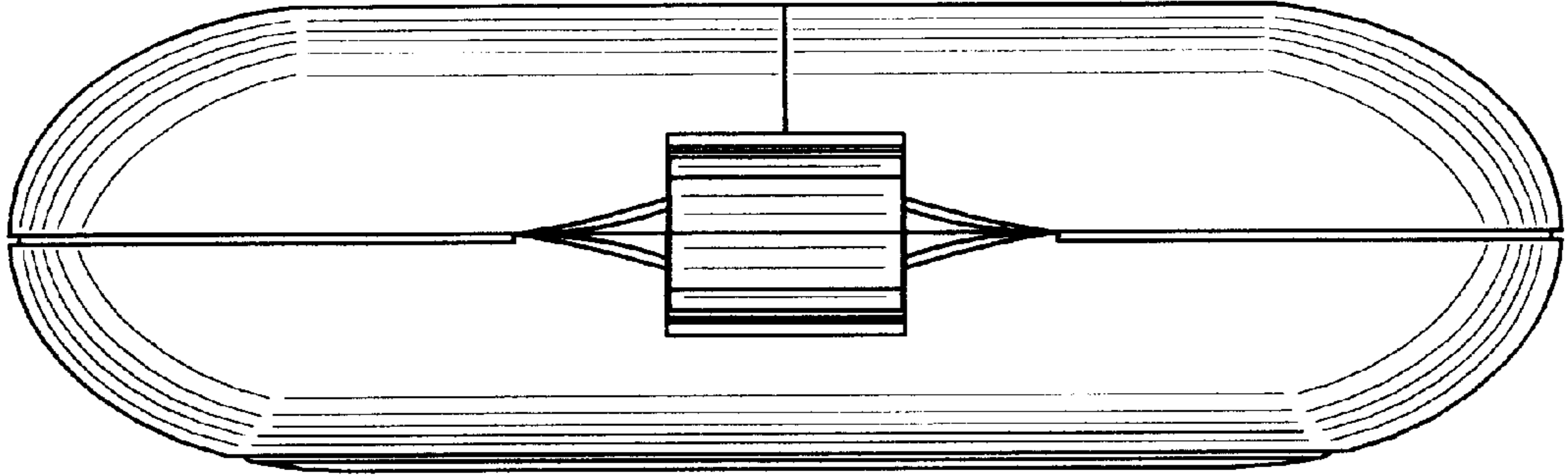


FIG. - 7

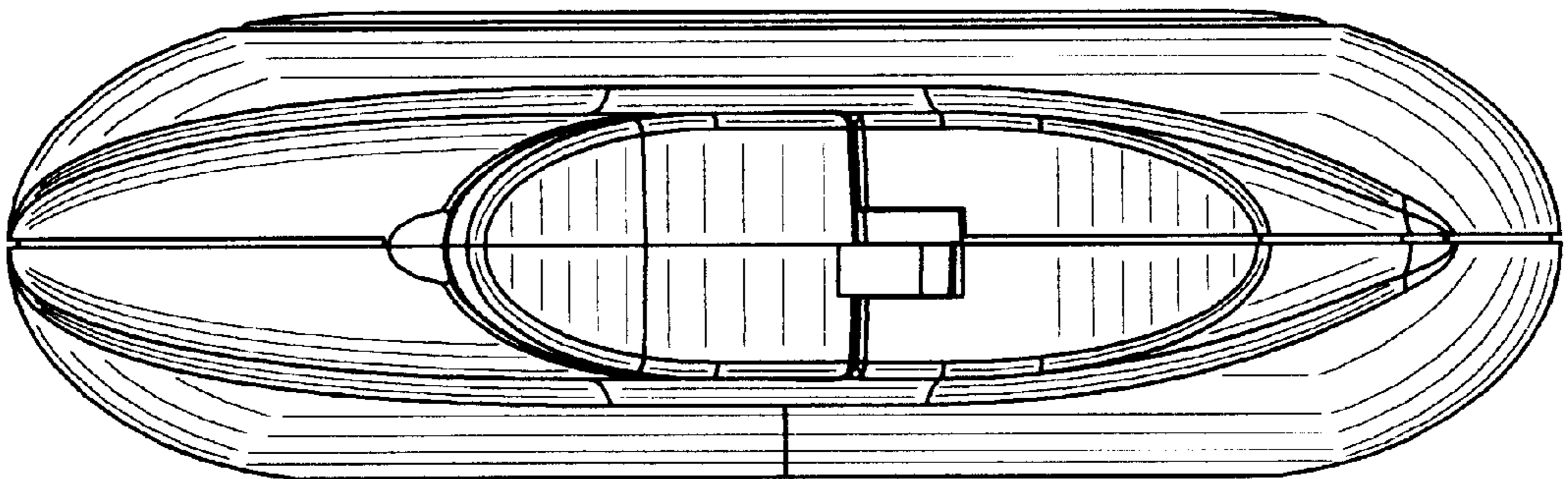


FIG. - 8