



US00D458004S

(12) **United States Design Patent**
Magdziak-Hautala

(10) **Patent No.:** **US D458,004 S**

(45) **Date of Patent:** **** Jun. 4, 2002**

(54) **MULTIPURPOSE HEADWEAR**

(76) Inventor: **Kathy A. Magdziak-Hautala**, 1657
Georgia St., Oshkosh, WI (US) 54902

(**) Term: **14 Years**

(21) Appl. No.: **29/145,903**

(22) Filed: **Jul. 31, 2001**

(51) **LOC (7) Cl.** **02-07**

(52) **U.S. Cl.** **D2/500; D2/881**

(58) **Field of Search** D2/500, 501, 502,
D2/865, 881, 882, 884, 885; 2/171, 171.1,
175.1, 181, 195.1, 195.7, 195.8, 202, 203,
207, DIG. 11

(56) **References Cited**

U.S. PATENT DOCUMENTS

5,062,157	A	*	11/1991	Muta	2/171
5,161,260	A	*	11/1992	Reynolds	2/207
5,594,956	A	*	1/1997	Barrientos	2/207
5,608,914	A	*	3/1997	Keesler	2/207
D381,191	S	*	7/1997	Monkhouse et al.	D2/891
5,685,016	A	*	11/1997	Douglas	2/171
D402,785	S	*	12/1998	Franzreb	D2/500
6,247,181	B1	*	6/2001	Hirsch et al.	2/207

* cited by examiner

Primary Examiner—Paula A. Mortimer

(74) *Attorney, Agent, or Firm*—R. Jonathan Peters

(57) **CLAIM**

The ornamental design for a multipurpose headwear, as shown and described.

DESCRIPTION

FIG. 1 is a perspective view of a multipurpose headwear comprised of a bandana and head band.

FIG. 2 is a front elevational view thereof;

FIG. 3 is a rear elevational view thereof;

FIG. 4 is a front elevational view thereof with the head band partially removed;

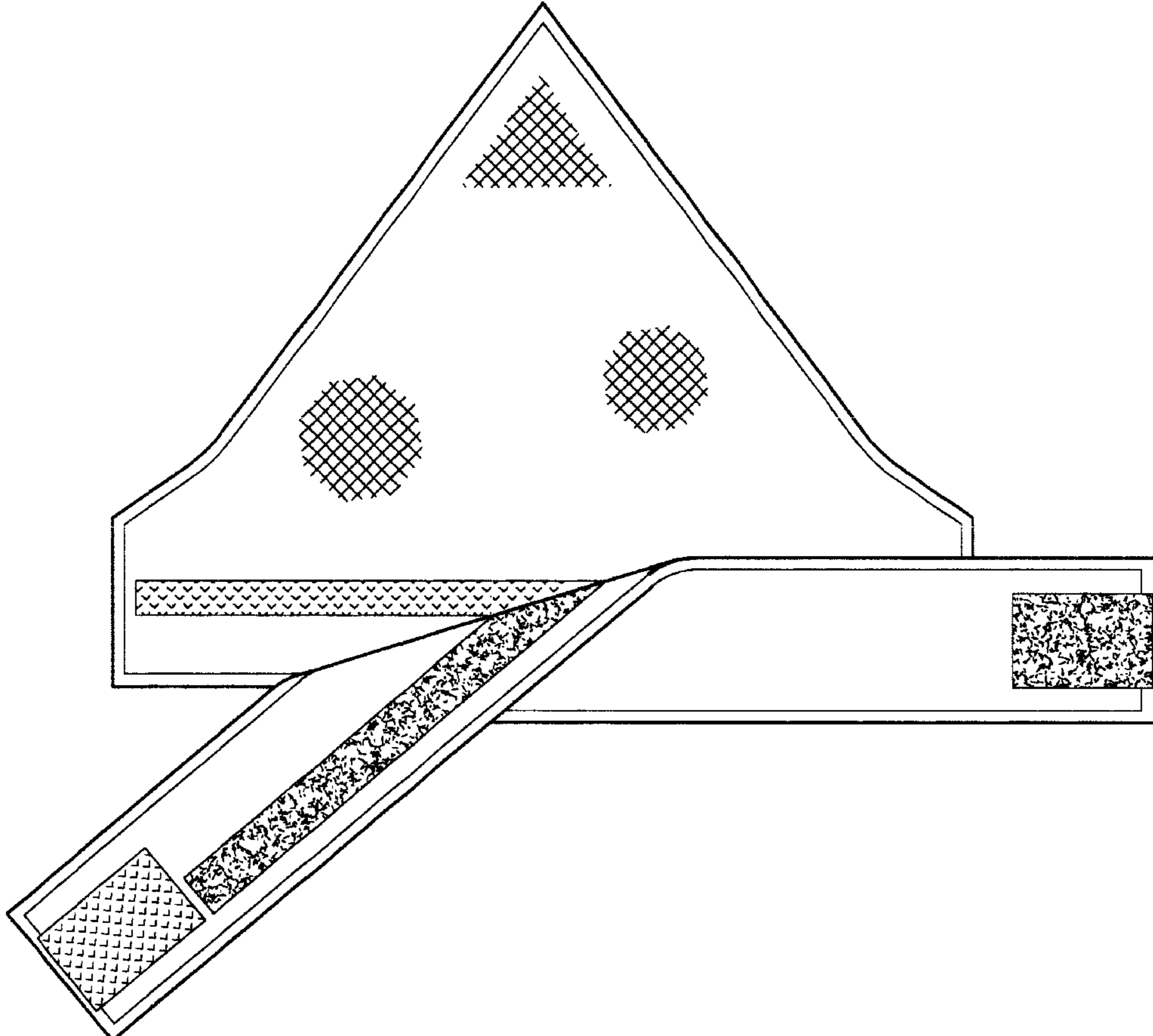
FIG. 5 is an exploded front elevational view thereof;

FIG. 6 is a front view of the multipurpose headwear on a mannequin; and,

FIG. 7 is a rear view of the multipurpose headwear on a mannequin.

The broken line showing of the mannequin in FIGS. 6 and 7 is for illustrative purposes only and forms no part of the claimed design.

1 Claim, 7 Drawing Sheets



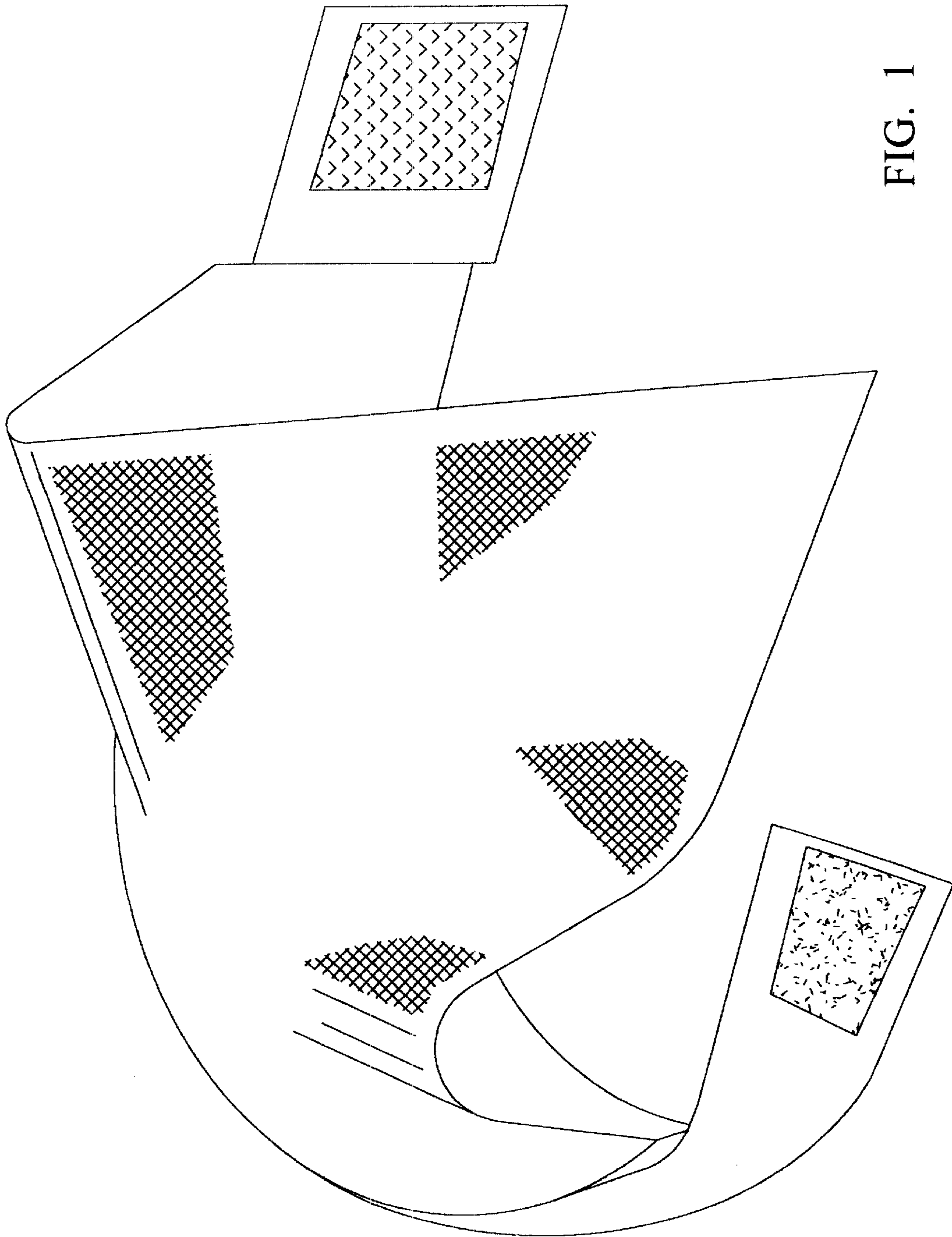


FIG. 1

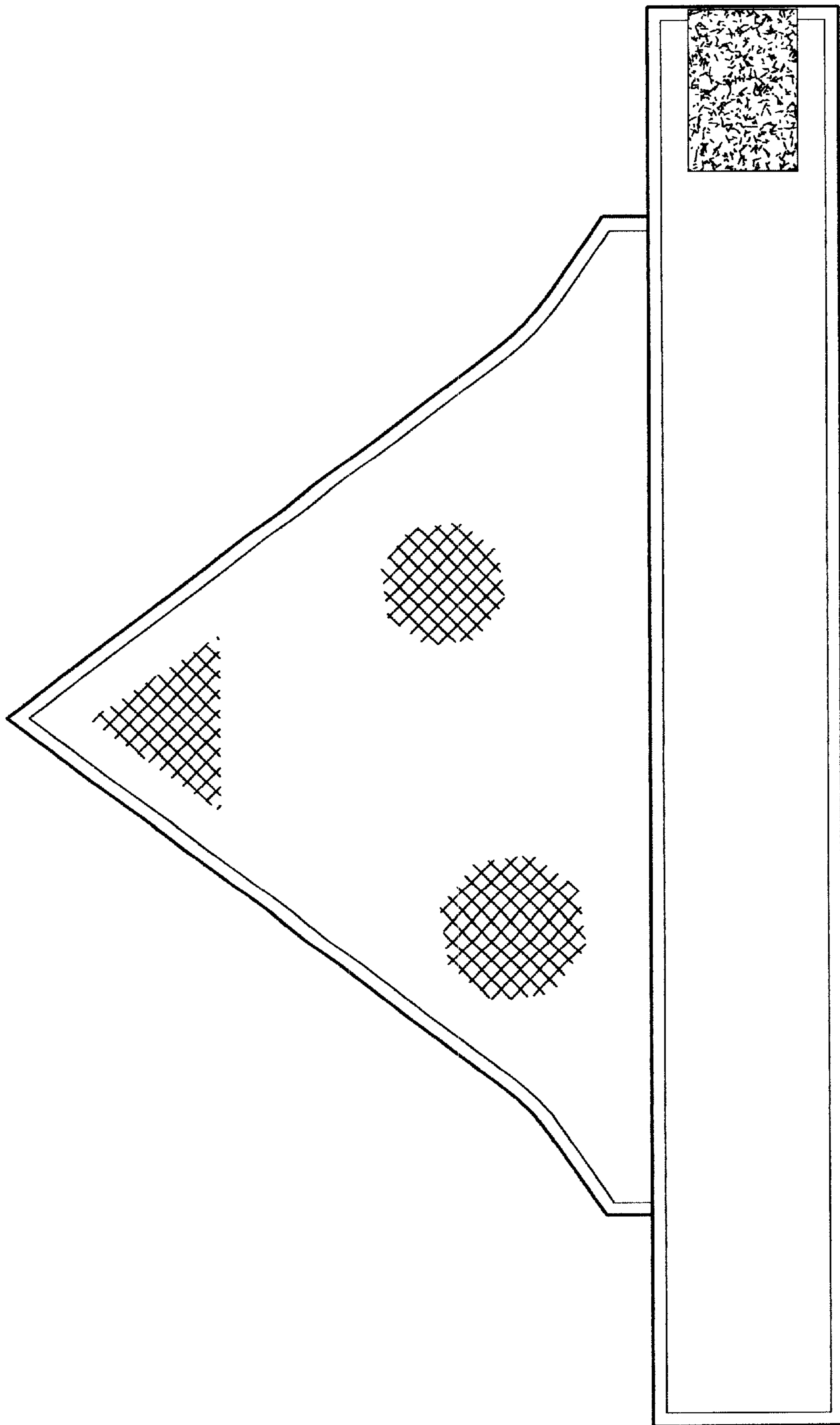


FIG. 2

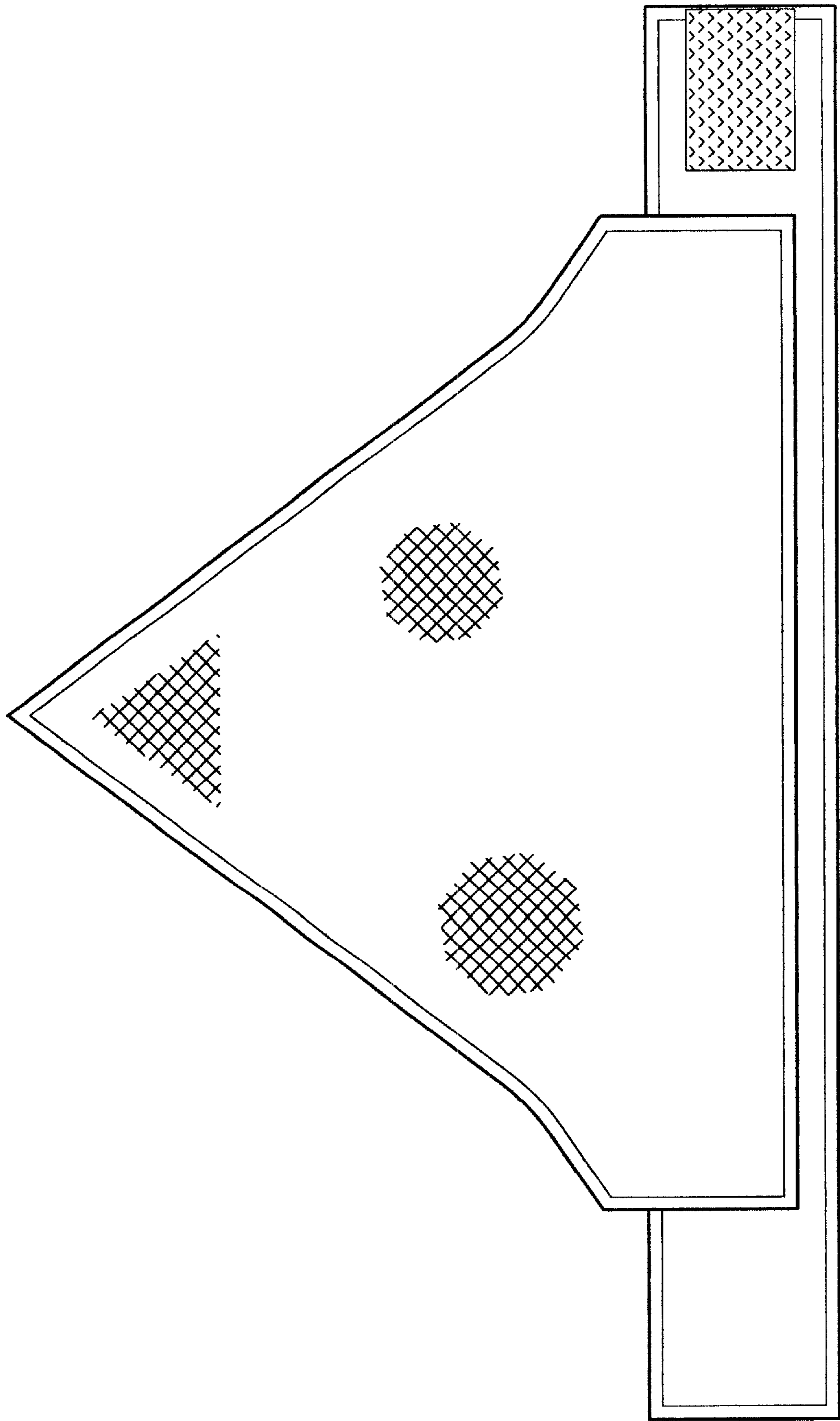


FIG. 3

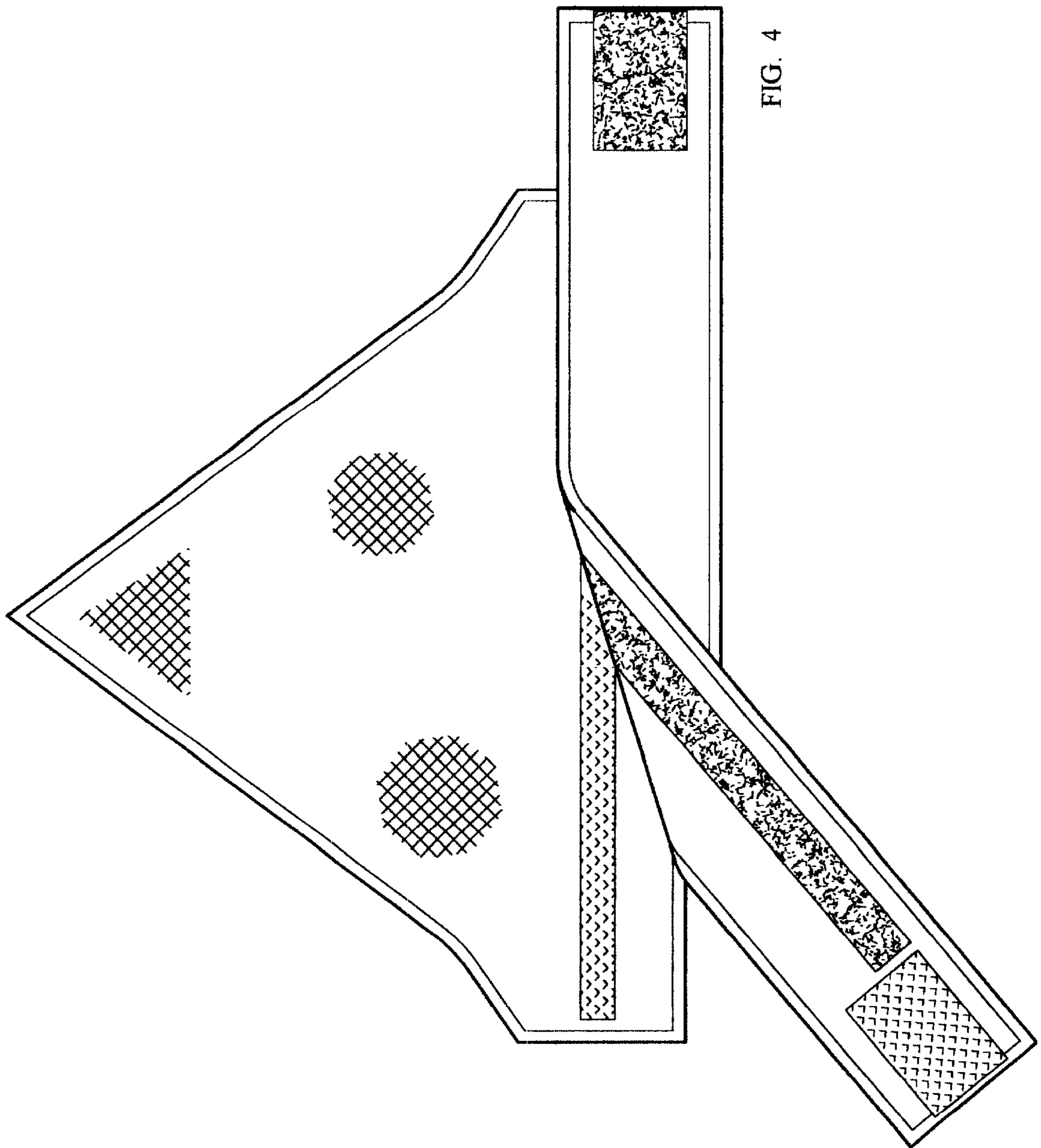
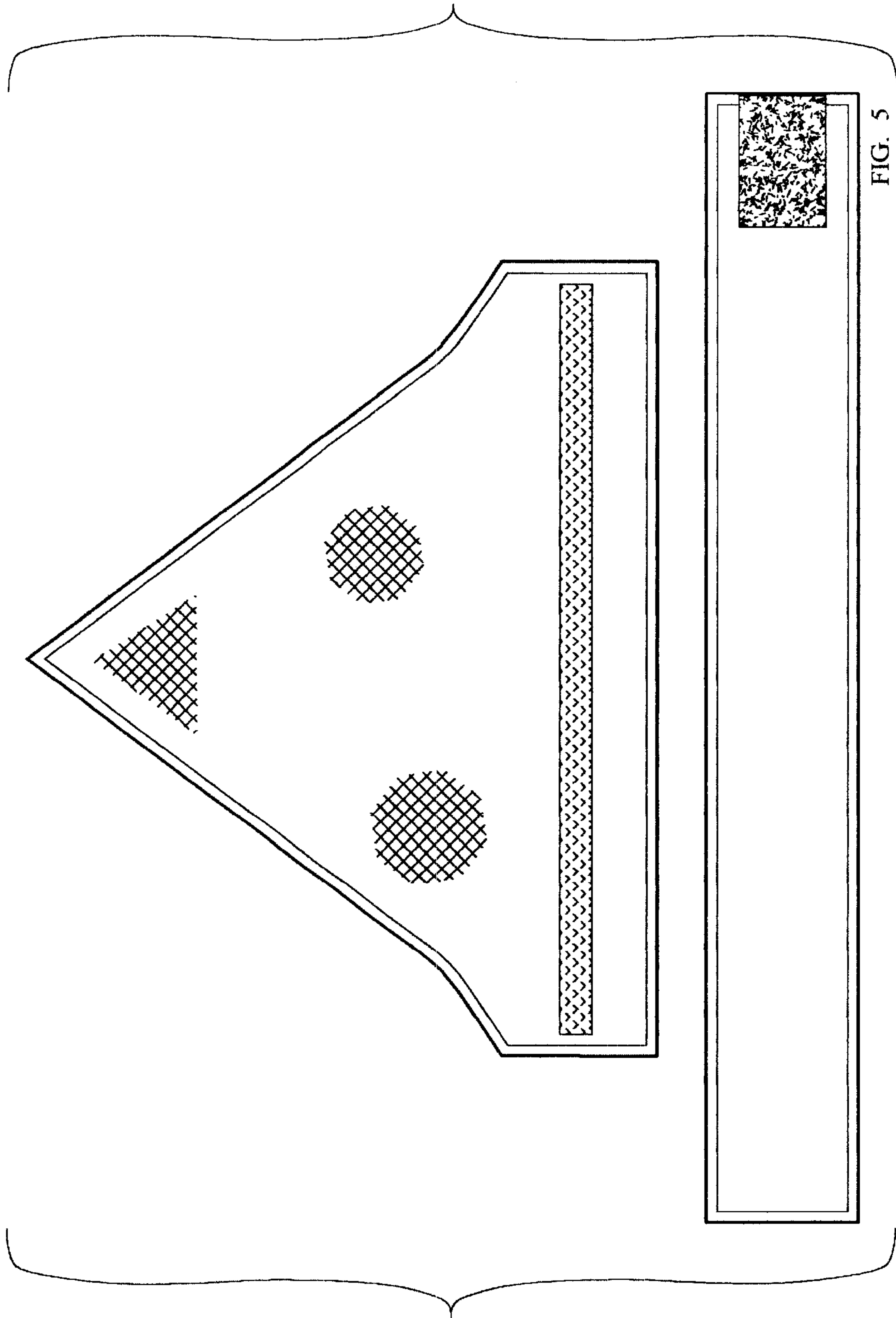


FIG. 4



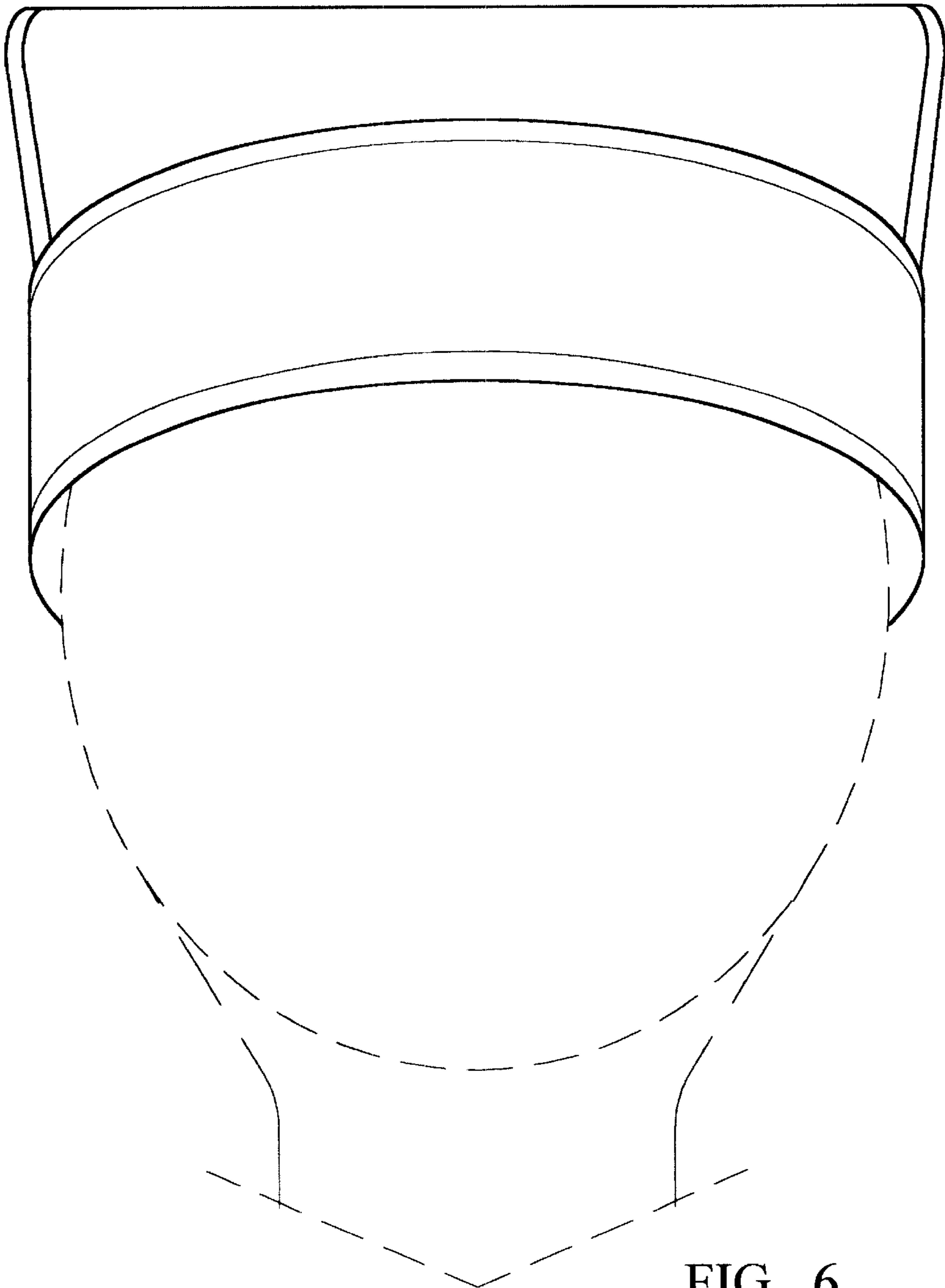


FIG. 6

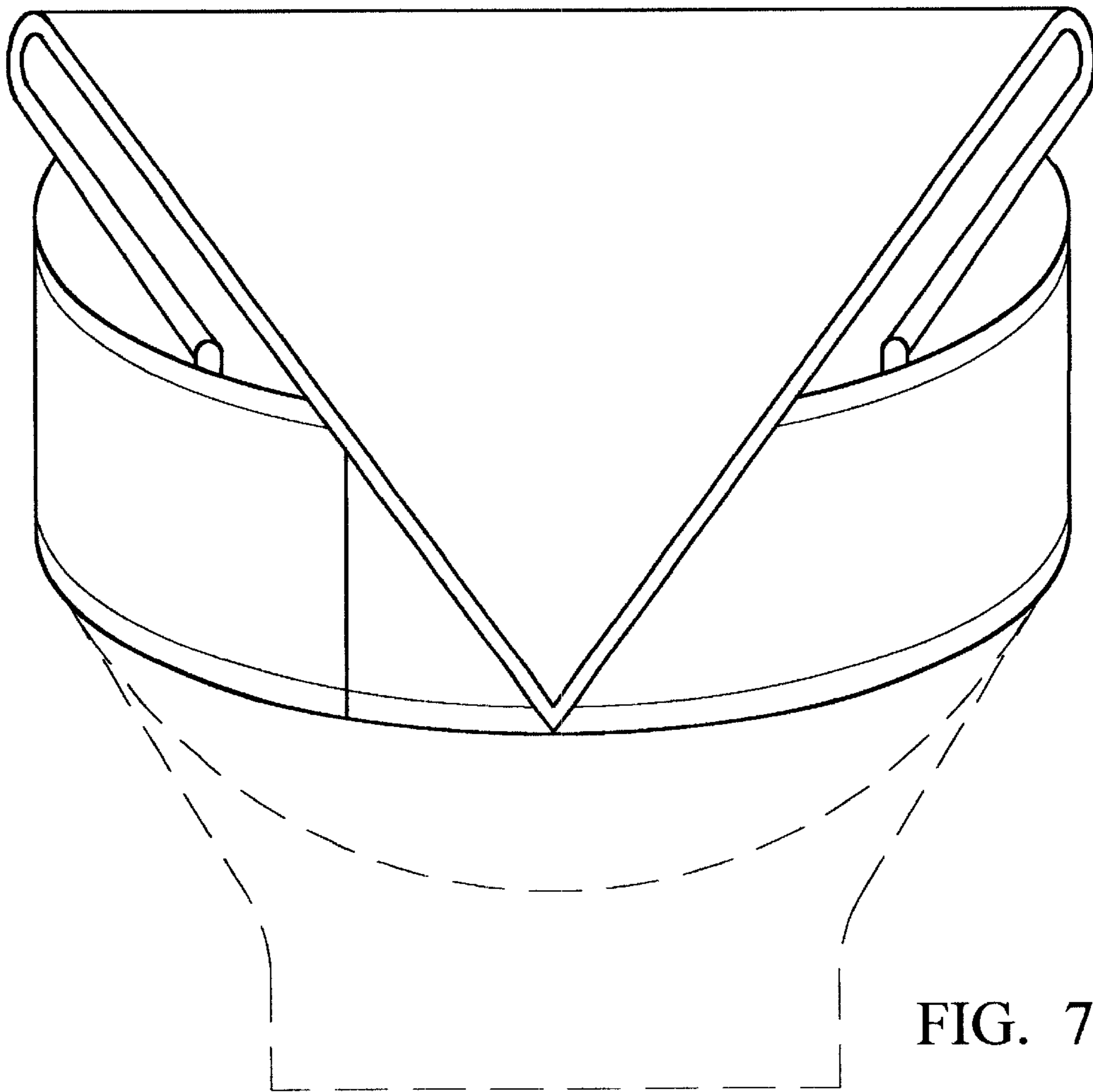


FIG. 7