



US00D458002S

(12) **United States Design Patent**  
**Wajnerman et al.**

(10) **Patent No.:** **US D458,002 S**

(45) **Date of Patent:** **\*\* May 28, 2002**

(54) **HOCKEY PLAYER MAILBOX**

(76) Inventors: **Graciela Wajnerman**, 21100 NE. 24<sup>th</sup> Ct., N. Miami Beach, FL (US) 33180; **Malka Lina**, 17931 Biscayne Blvd., Aventura, FL (US) 33160; **Jacob Wajnerman**, 21100 NE. 24<sup>th</sup> Ct., N. Miami Beach, FL (US) 33180; **Mario Gentile**, 17931 Biscayne Blvd., Aventura, FL (US) 33160

(\*\*) Term: **14 Years**

(21) Appl. No.: **29/144,901**

(22) Filed: **Jul. 12, 2001**

(51) **LOC (7) Cl.** ..... **99-00**

(52) **U.S. Cl.** ..... **D99/30**

(58) **Field of Search** ..... D99/28, 29, 30,  
D99/31, 32; 232/17, 18, 19, 20, 21, 34;  
D21/727; D20/2

(56) **References Cited**

**U.S. PATENT DOCUMENTS**

D276,626 S \* 12/1984 Lockwood ..... D20/2

D288,258 S \* 2/1987 Odon ..... D99/30  
D390,328 S \* 2/1998 Barton, Jr. .... D99/32  
5,950,918 A \* 9/1999 McDonough ..... 232/17  
D423,756 S \* 4/2000 Borer ..... D99/30  
D430,380 S \* 8/2000 Diamond ..... D99/30  
D432,754 S \* 10/2000 Mazciovocchio ..... D99/30

\* cited by examiner

*Primary Examiner*—Paula A. Mortimer  
(74) *Attorney, Agent, or Firm*—McHale & Slavin

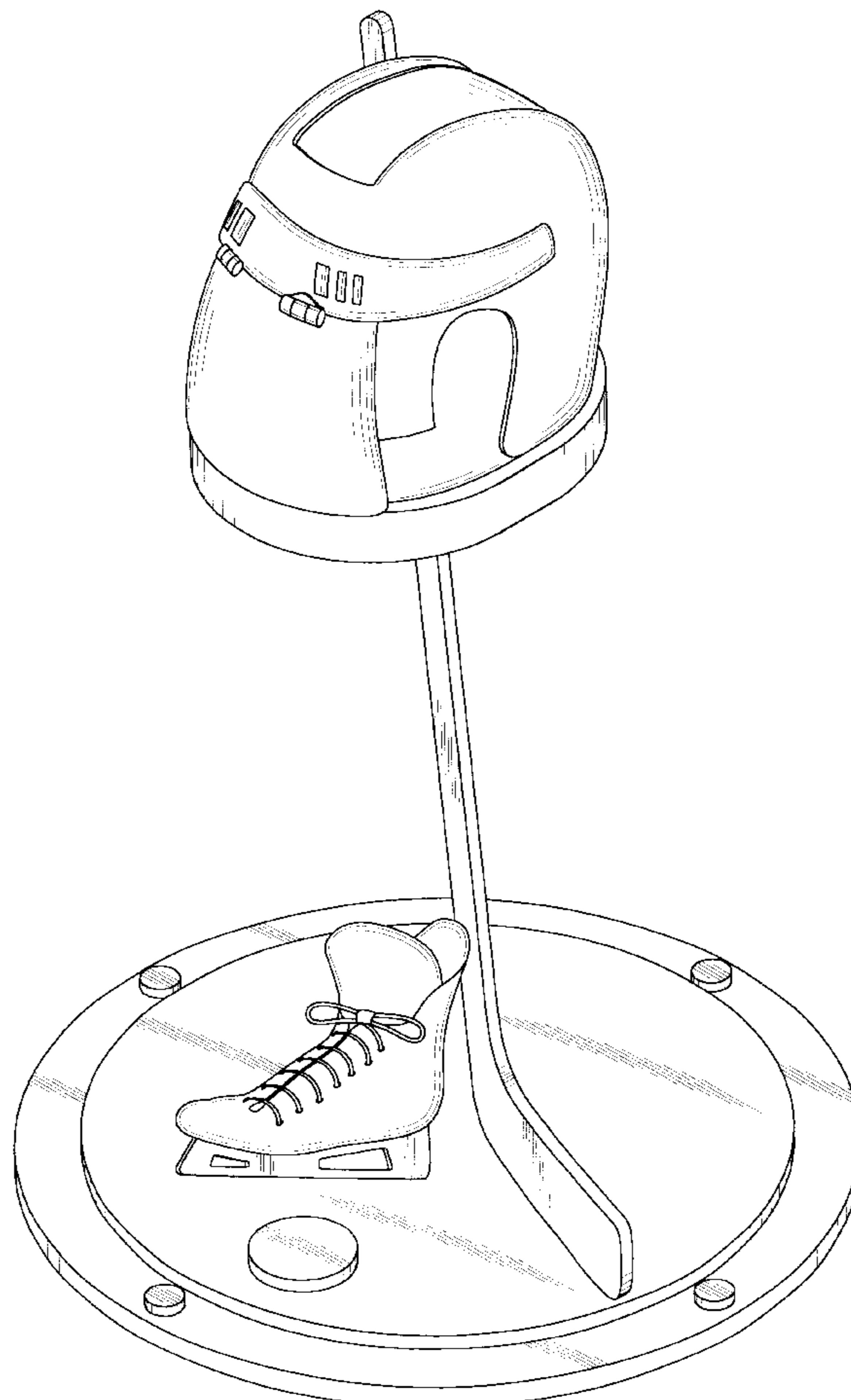
(57) **CLAIM**

The ornamental design for a hockey player mailbox, as shown and described.

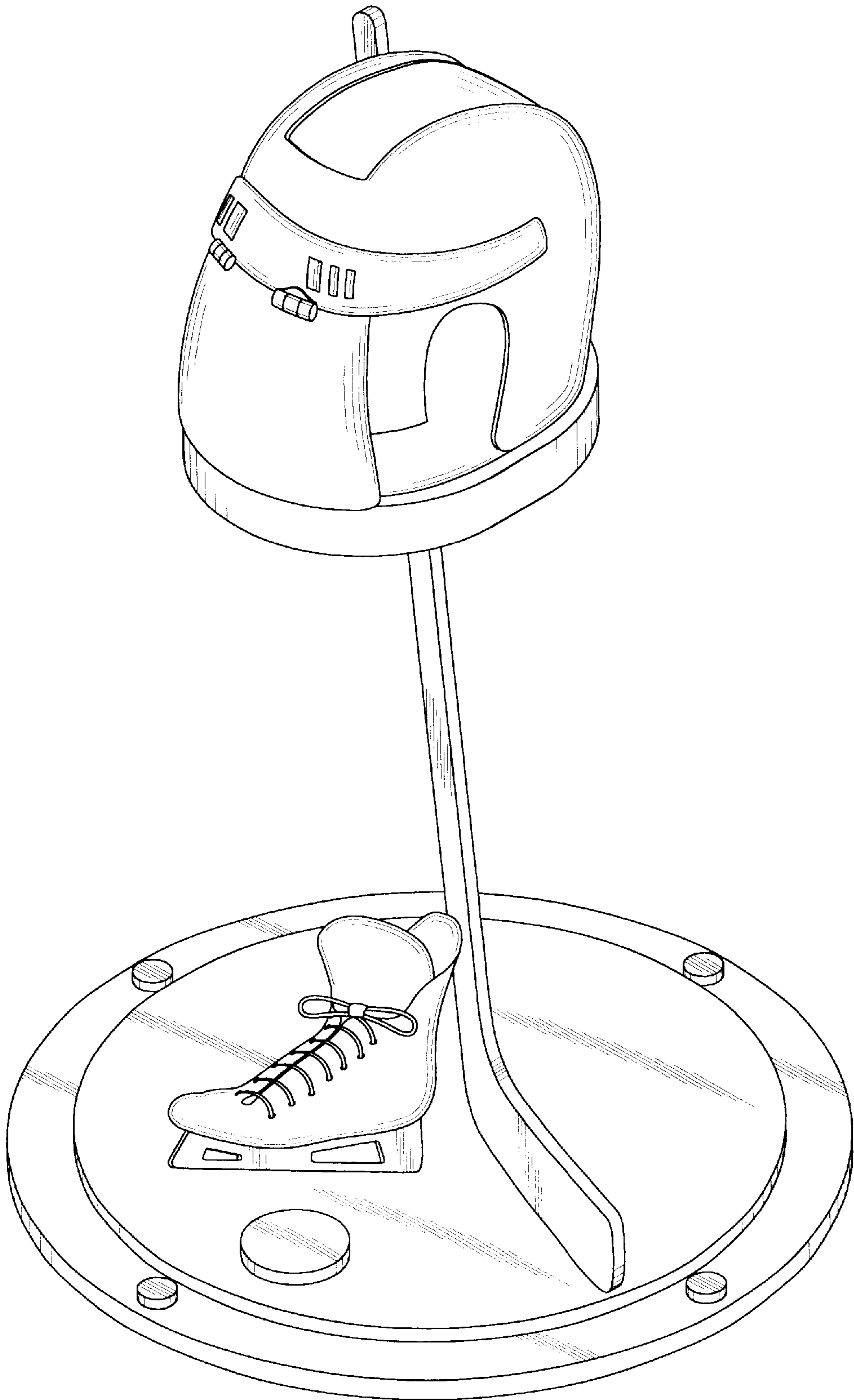
**DESCRIPTION**

FIG. 1 is a perspective view of a hockey player mailbox, showing my new design;  
FIG. 2 is a front view hereof;  
FIG. 3 is a left view thereof; and  
FIG. 4 is a right view thereof;  
FIG. 5 is a rear view thereof;  
FIG. 6 is a top view thereof; and,  
FIG. 7 is a bottom view thereof.

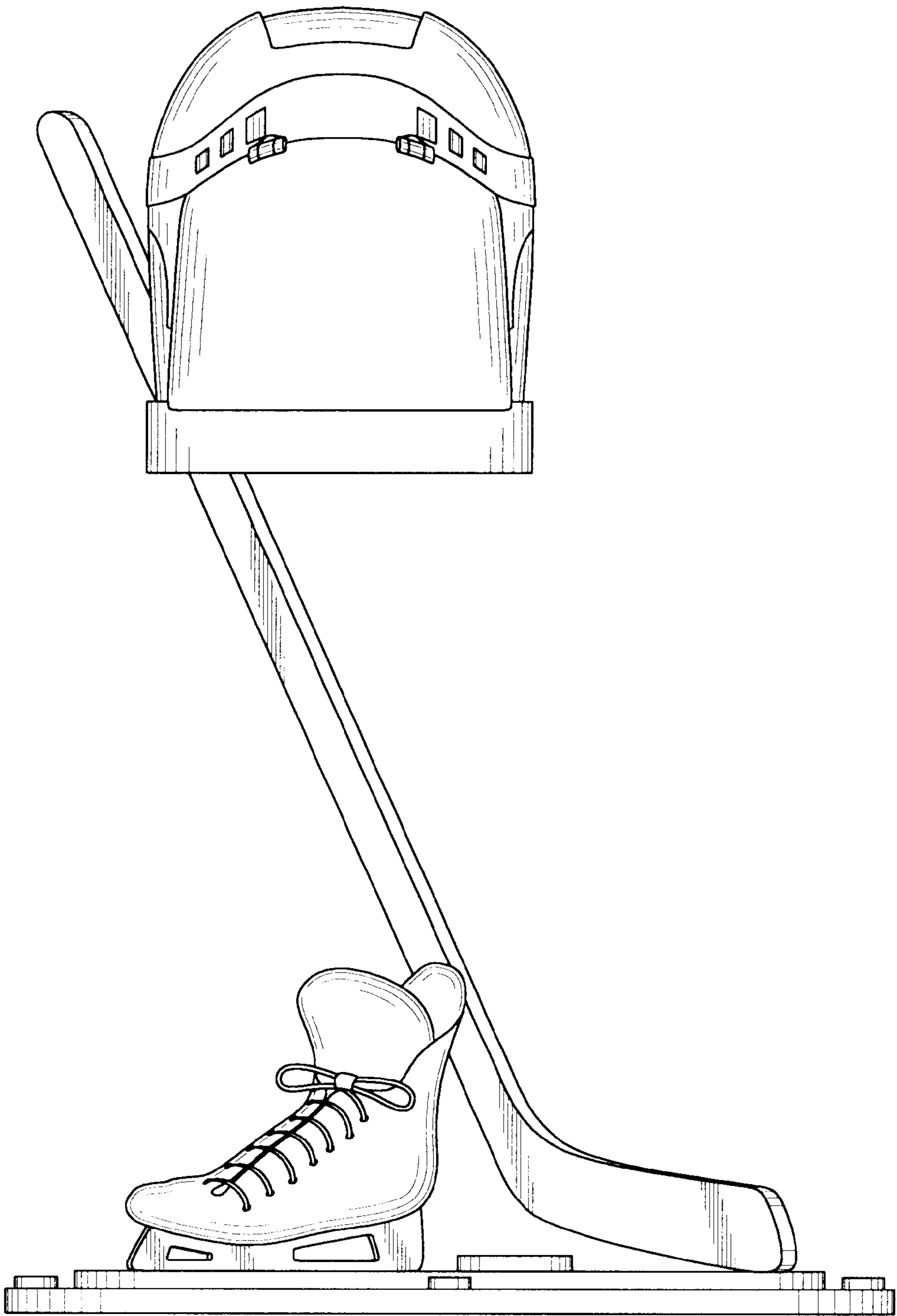
**1 Claim, 6 Drawing Sheets**



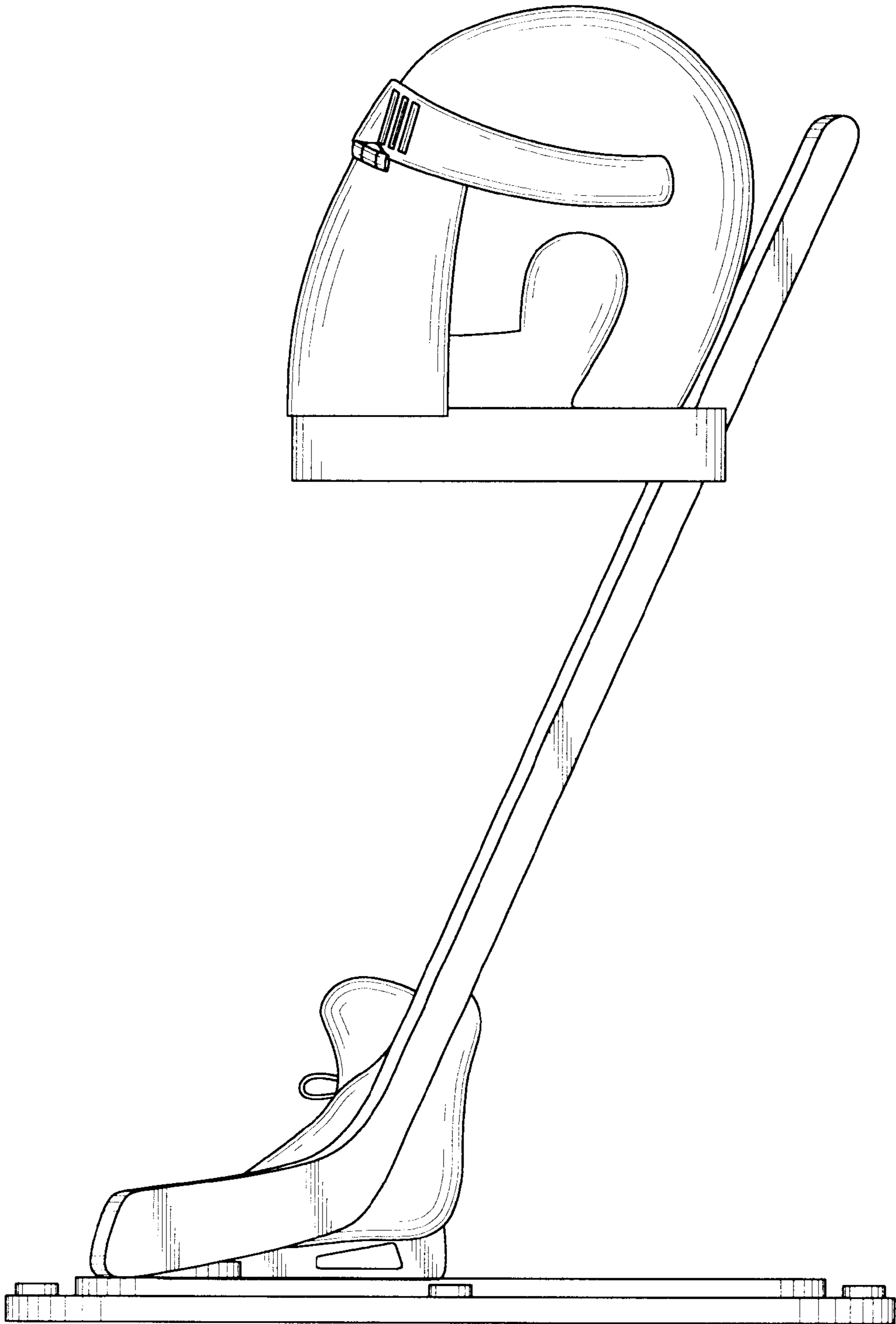
*FIG. 1*



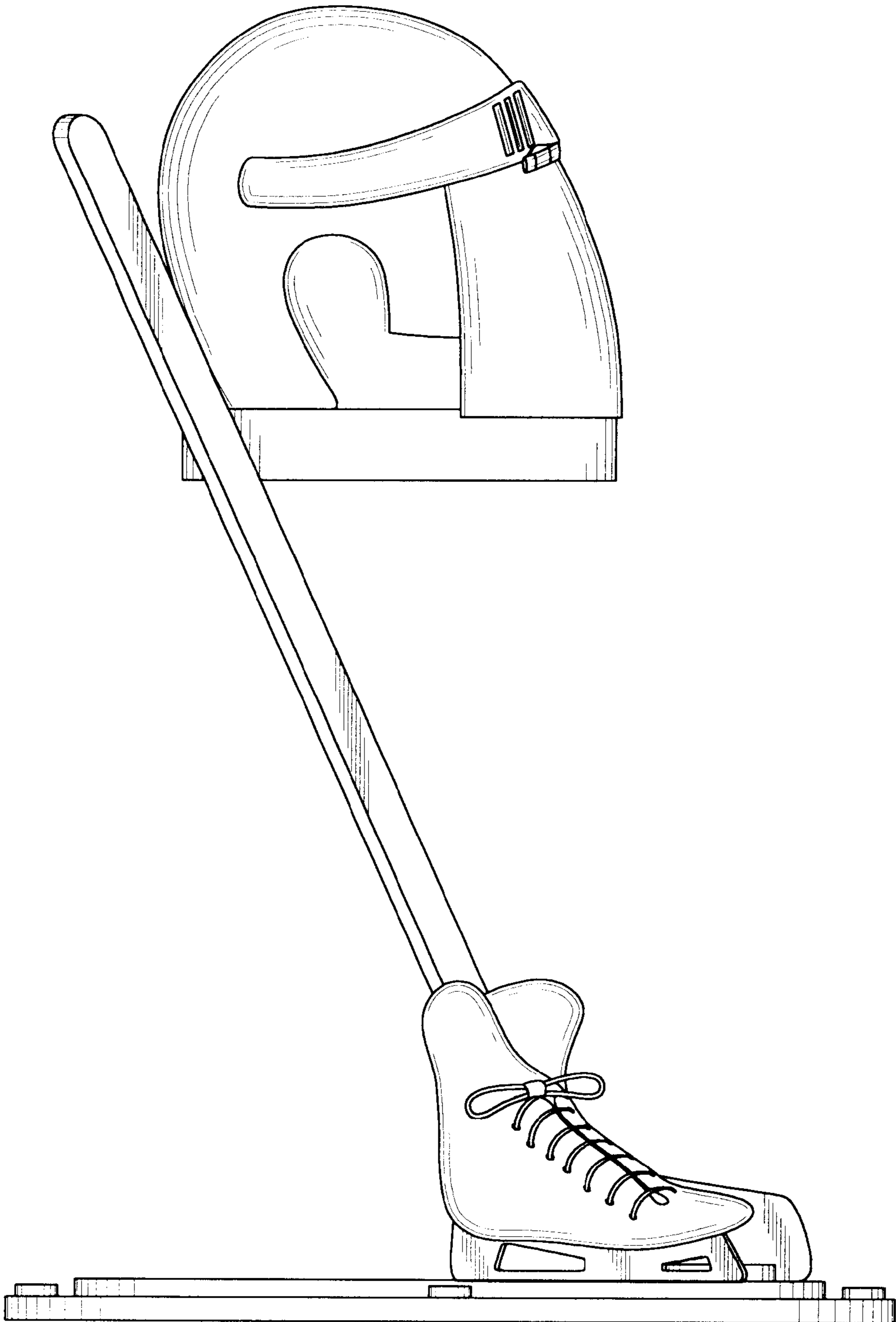
*FIG. 2*



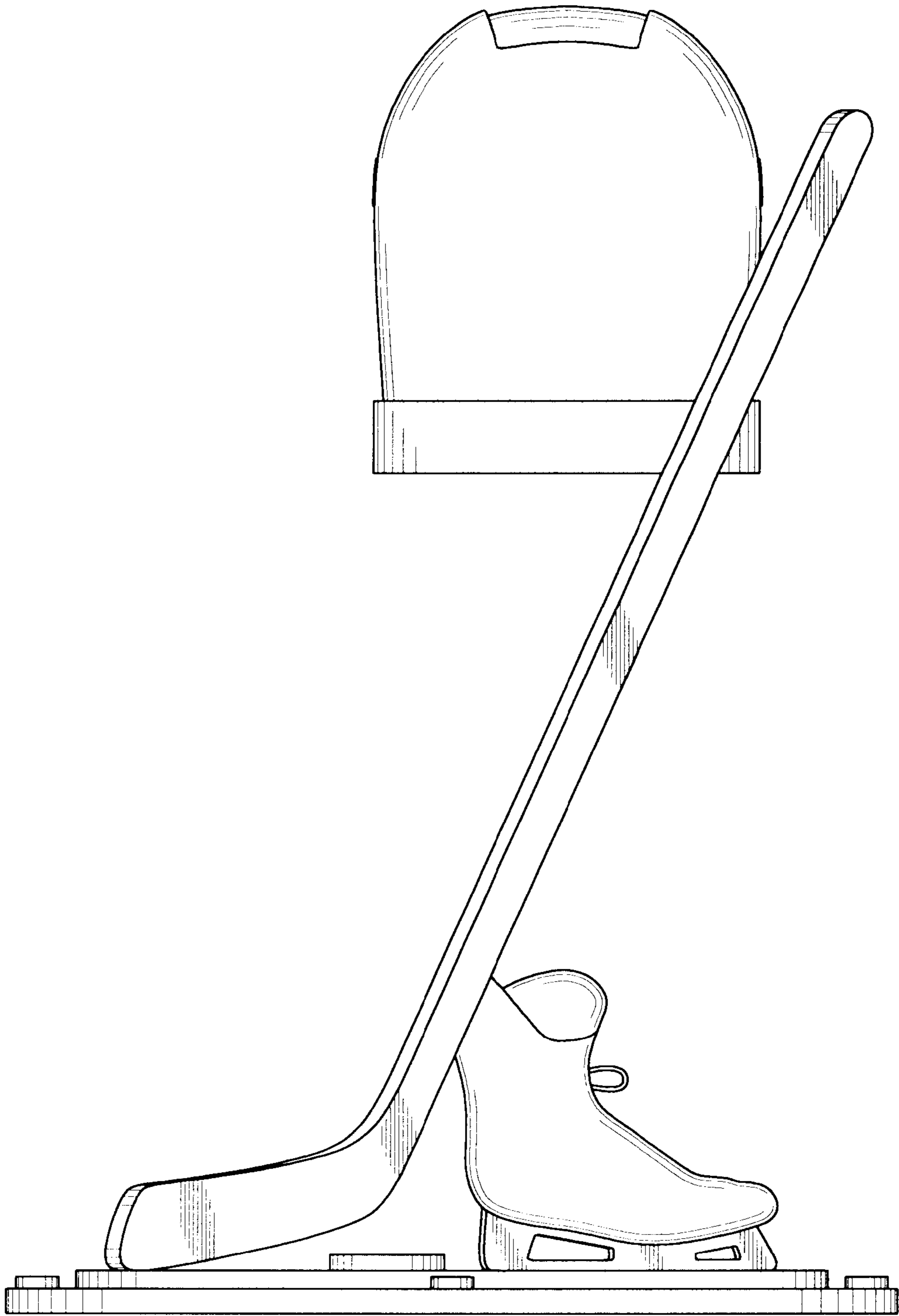
*FIG. 3*



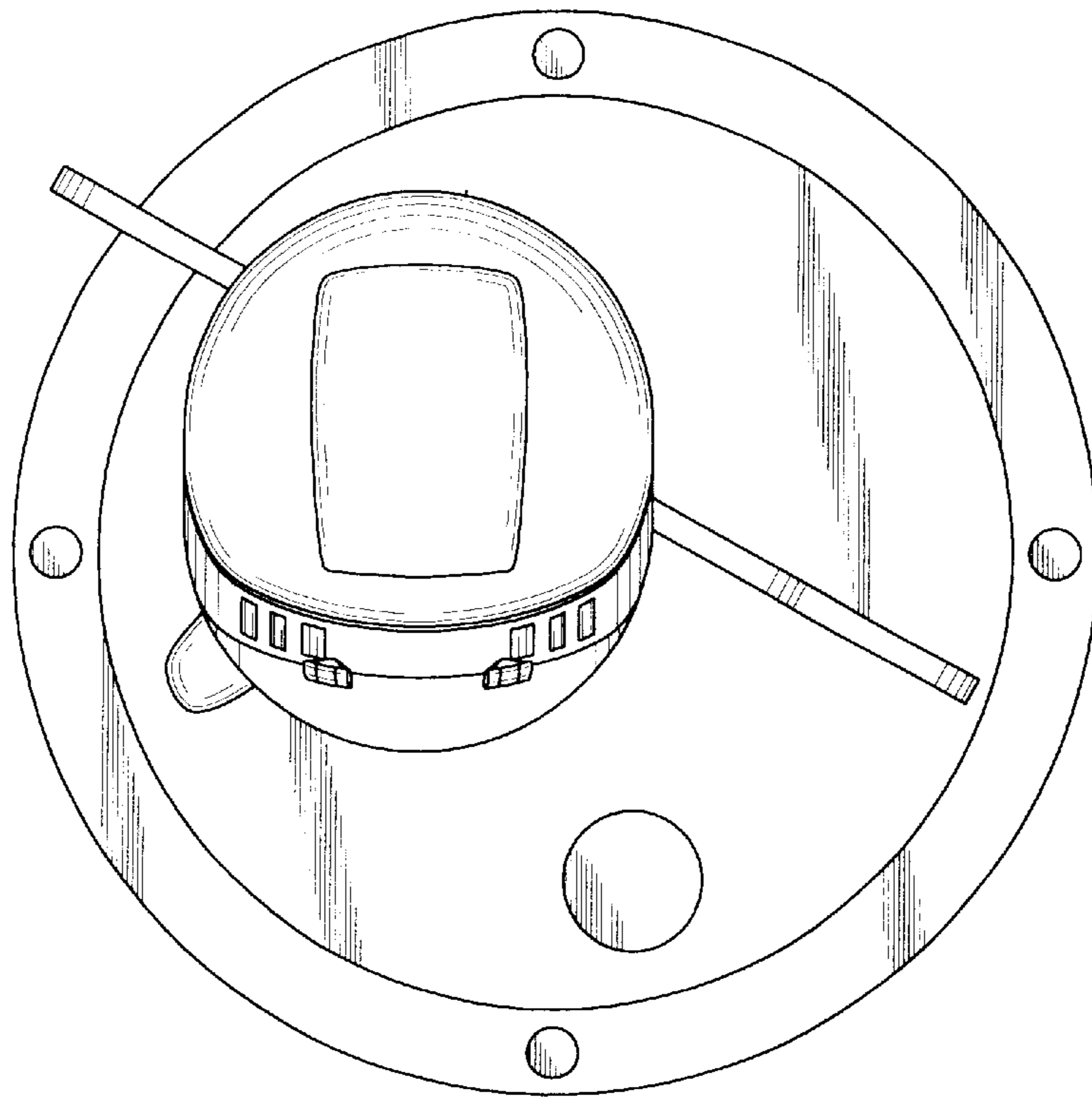
*FIG. 4*



*FIG. 5*



*FIG. 6*



*FIG. 7*

