



US00D457999S

(12) **United States Design Patent**  
**Oshima et al.**

(10) **Patent No.:** **US D457,999 S**

(45) **Date of Patent:** **\*\* May 28, 2002**

(54) **ELECTRIC CART**

5,570,754 A \* 11/1996 Stimson ..... 180/234

(75) Inventors: **Hiroyasu Oshima; Yutaka Komeno; Tutomu Yamazaki; Masaaki Takase; Hiroyuki Yoshida; Takashi Saie**, all of Ishikawa; **Yuuji Taniguchi**, Tokyo, all of (JP)

\* cited by examiner

*Primary Examiner*—Kay H. Chin

(74) *Attorney, Agent, or Firm*—Rader, Fishman & Grauer, PLLC

(73) Assignee: **Kanazawa Institute of Technology, Ishikawa-gun (JP)**

(57) **CLAIM**

The ornamental design for an electric cart, as shown and described.

(\*\*) Term: **14 Years**

**DESCRIPTION**

(21) Appl. No.: **29/139,572**

(22) Filed: **Apr. 3, 2001**

(30) **Foreign Application Priority Data**

Oct. 6, 2000 (JP) ..... 2000-032422

(51) **LOC (7) Cl.** ..... **12-05**

(52) **U.S. Cl.** ..... **D34/28; D34/17**

(58) **Field of Search** ..... D34/12-27, 28, D34/34; 180/234, 236, 65 E, 91

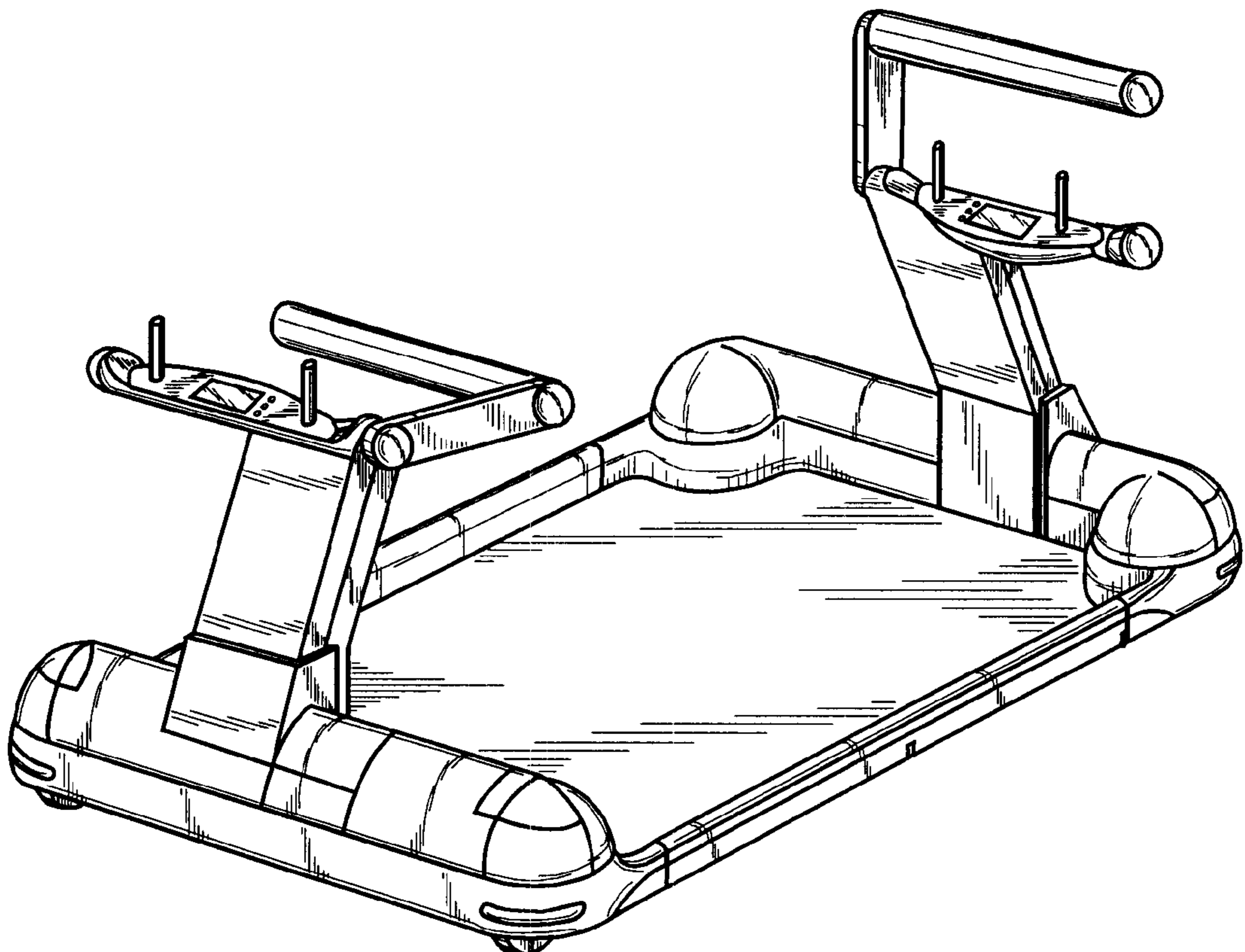
FIG. 1 is a perspective view of an electric cart showing our new design;  
FIG. 2 is a front elevational view thereof;  
FIG. 3 is a rear elevational view thereof;  
FIG. 4 is a top plan view thereof;  
FIG. 5 is a bottom plan view thereof;  
FIG. 6 is a right side elevational view thereof; and  
FIG. 7 is a left side elevational view thereof.  
FIG. 8 is a second embodiment perspective view of an electric cart showing our new design;  
FIG. 9 is a front elevational view thereof;  
FIG. 10 is a rear elevational view thereof;  
FIG. 11 is a top plan view thereof;  
FIG. 12 is a bottom plan view thereof;  
FIG. 13 is right side elevational view thereof; and,  
FIG. 14 is left side elevational view thereof.

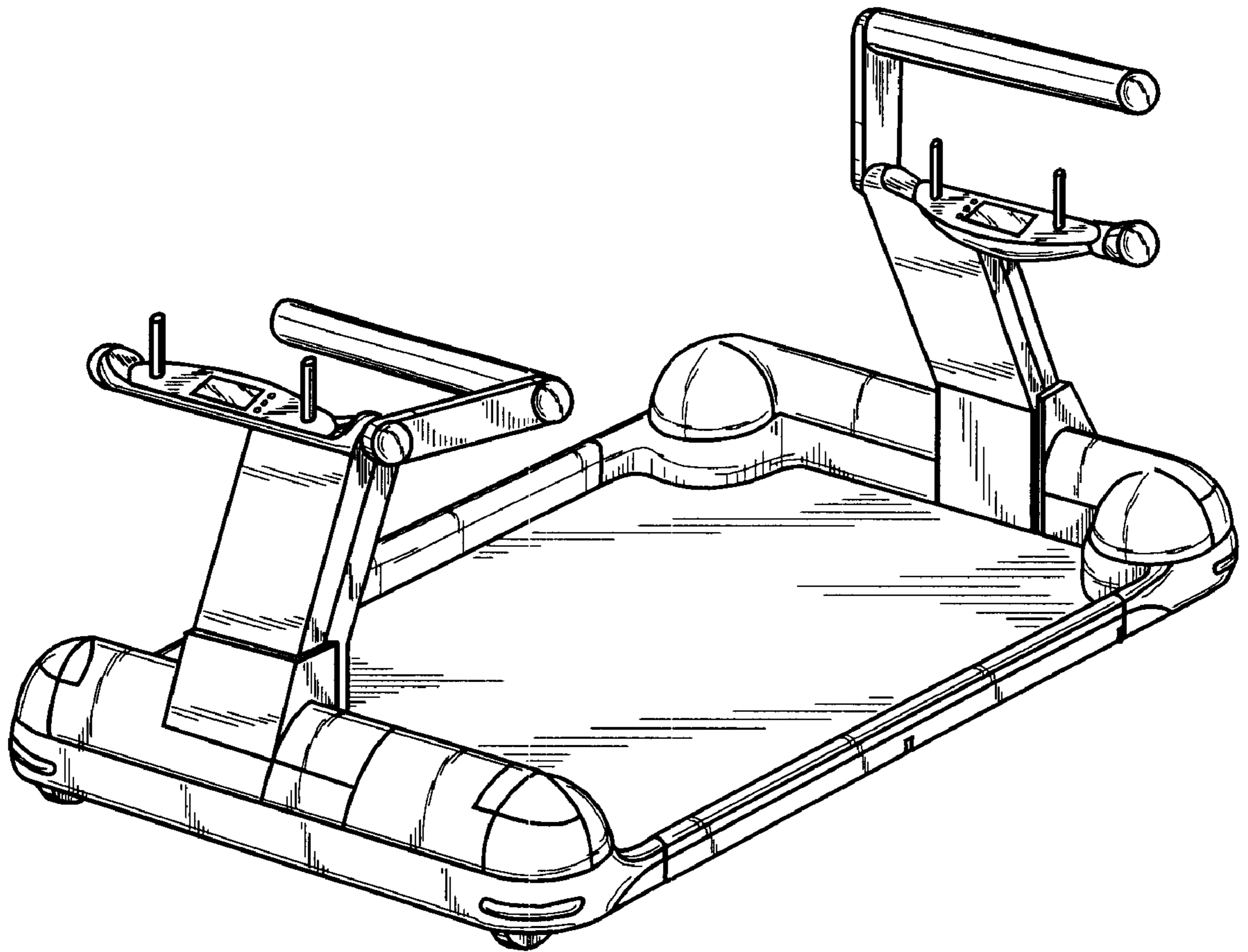
(56) **References Cited**

**U.S. PATENT DOCUMENTS**

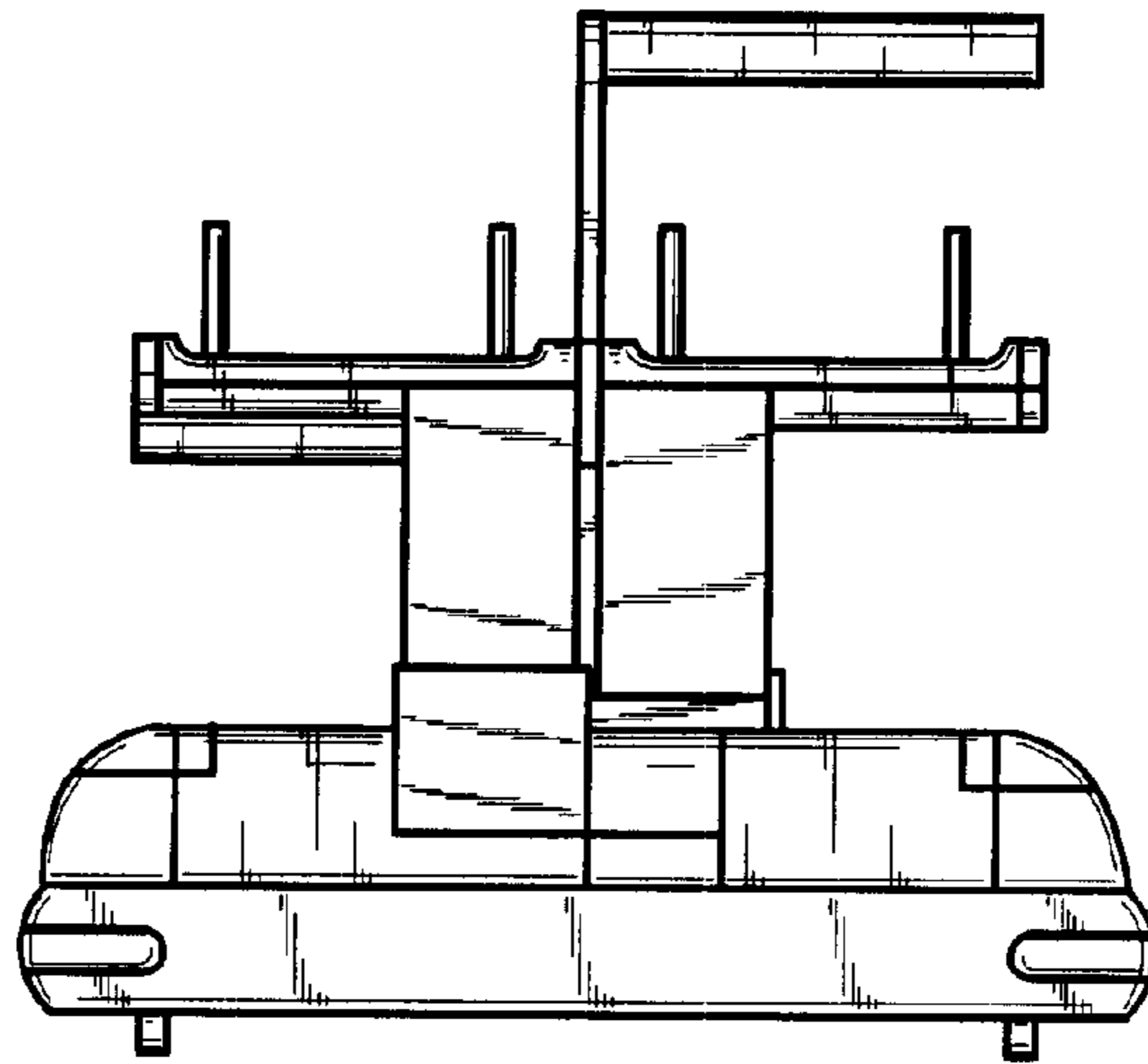
D175,033 S \* 6/1955 McCollough ..... D34/34  
4,089,384 A \* 5/1978 Ehrenberg ..... 180/234  
5,090,512 A \* 2/1992 Mullet et al. .... 180/236

**1 Claim, 8 Drawing Sheets**

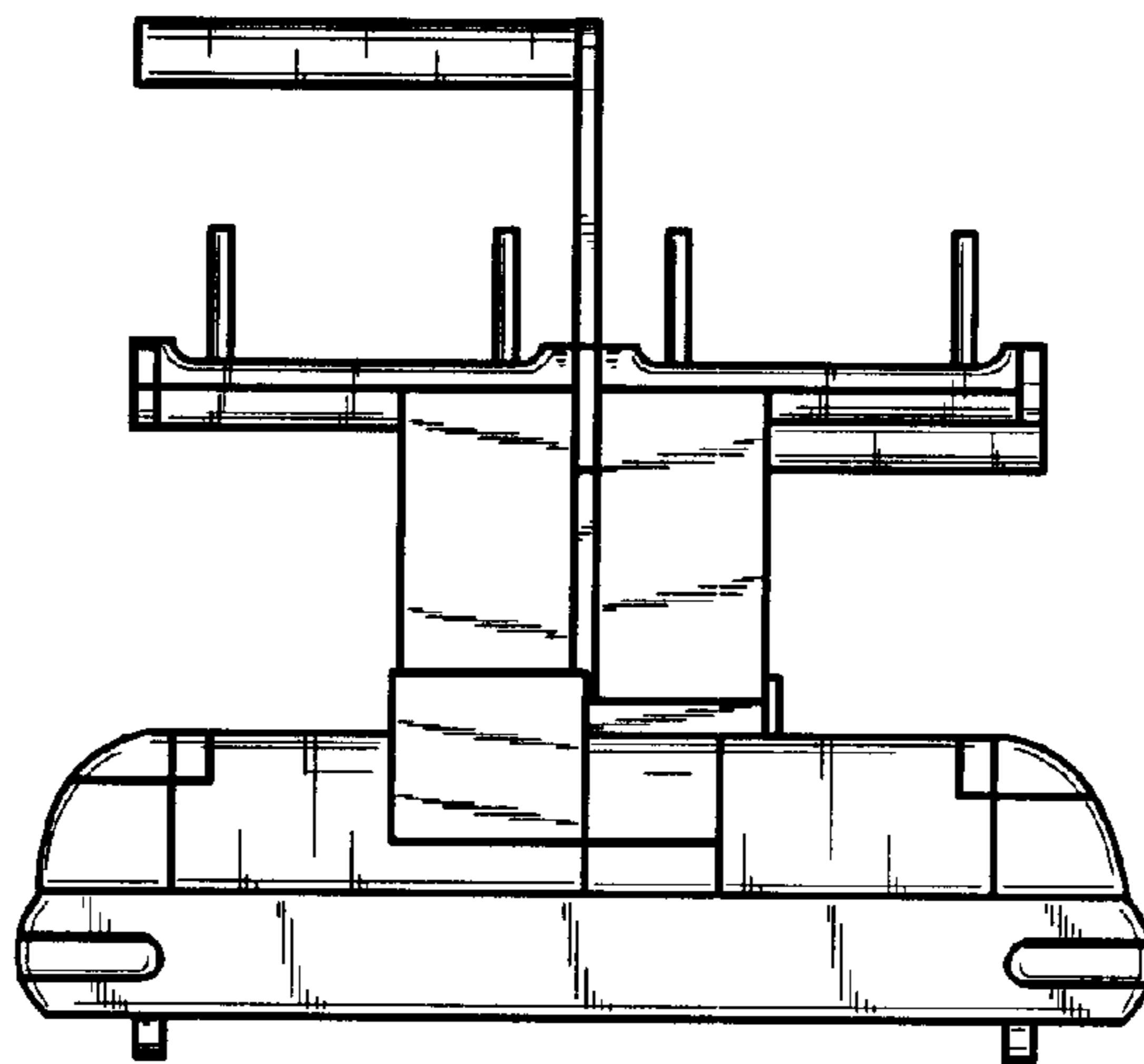




**Fig. 1**



**Fig. 2**



**Fig. 3**

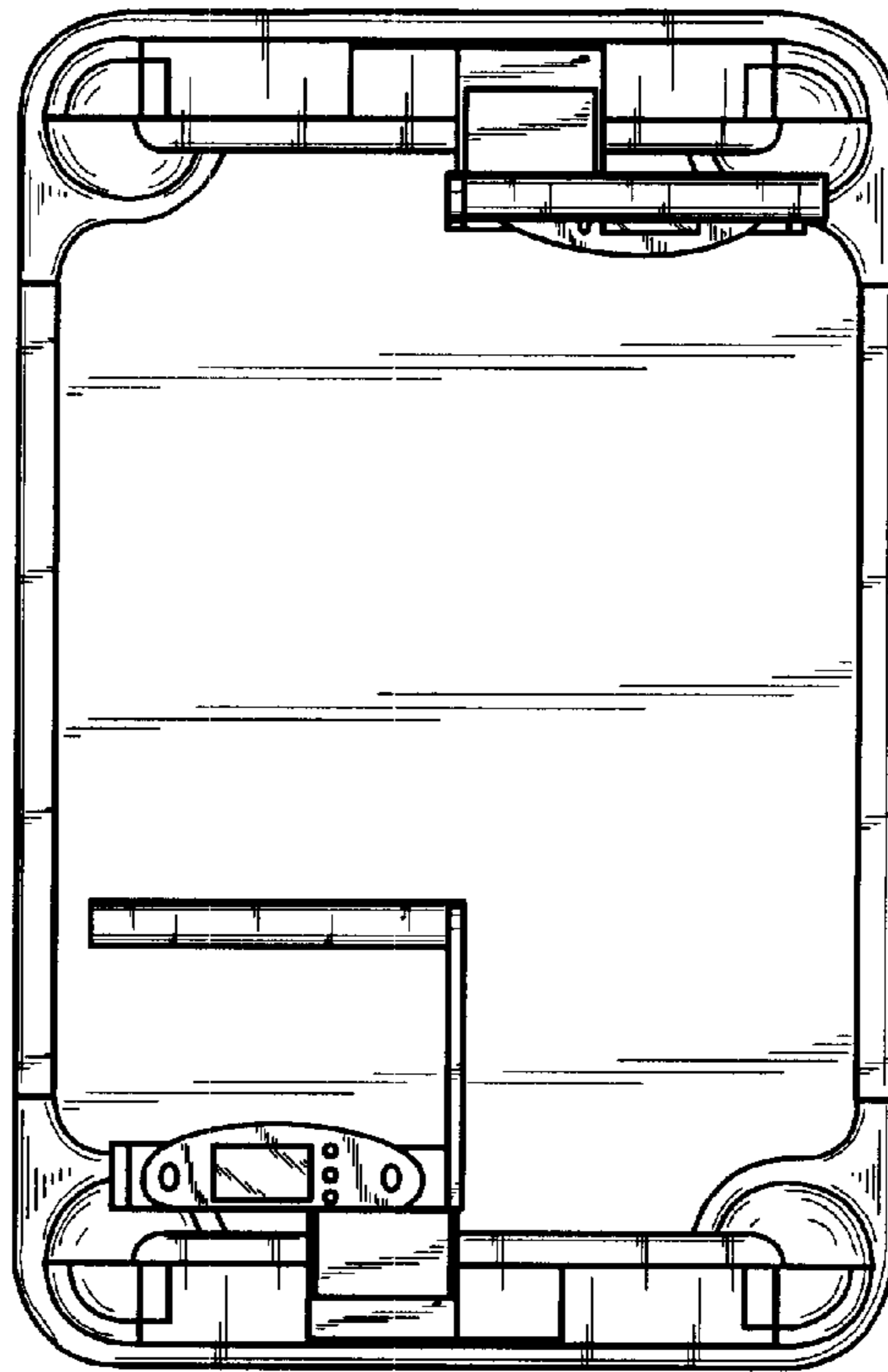


Fig. 4

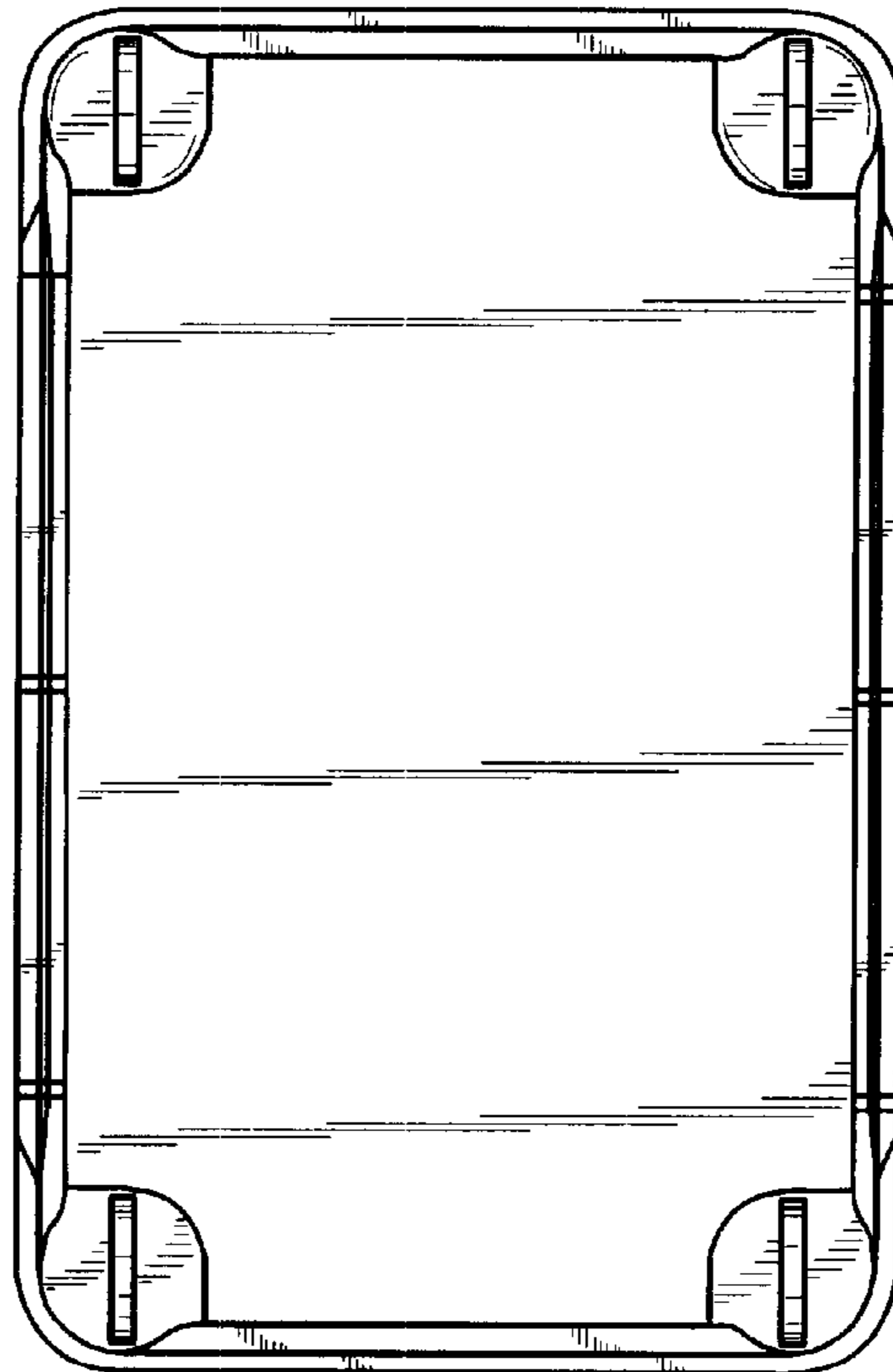
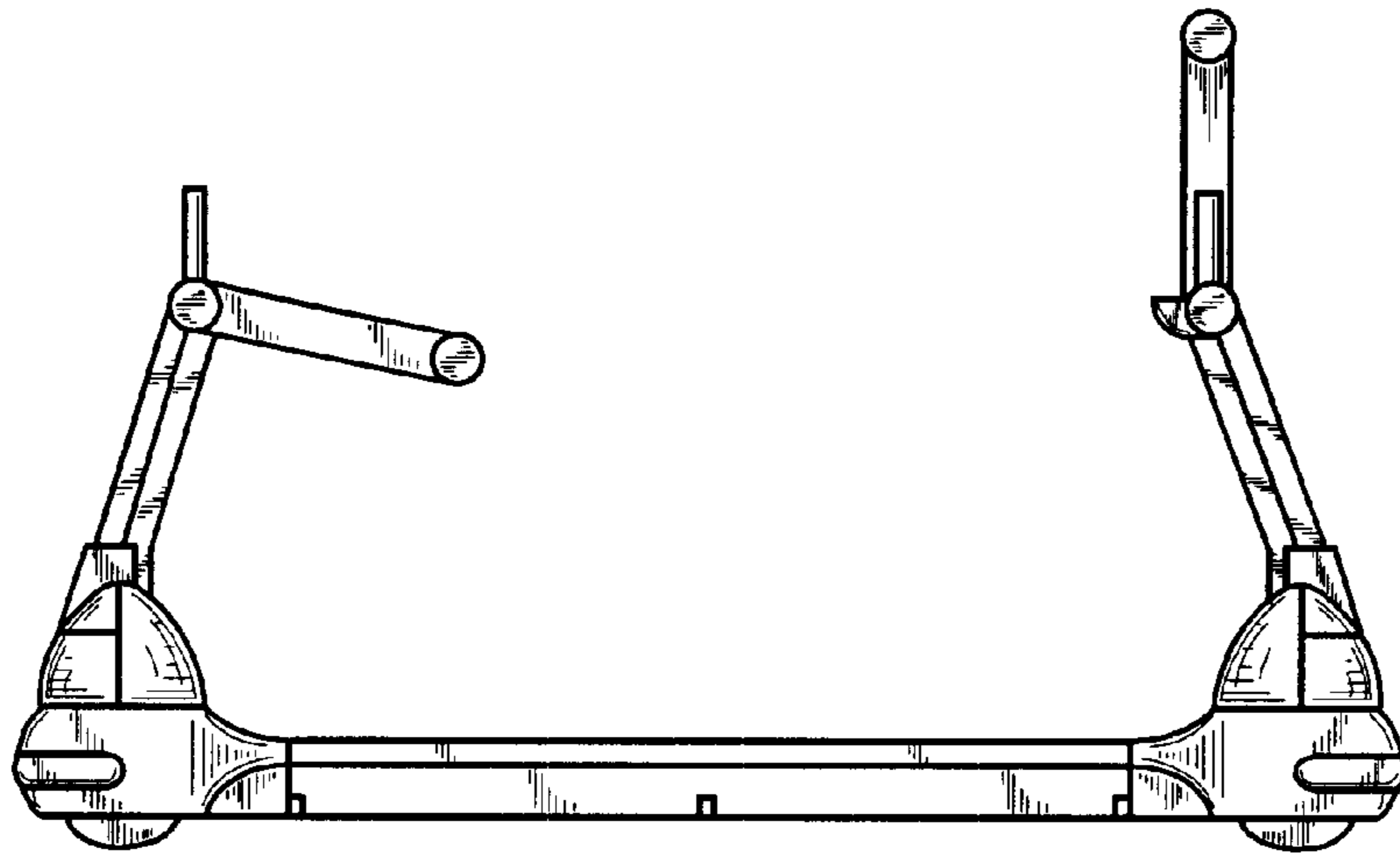
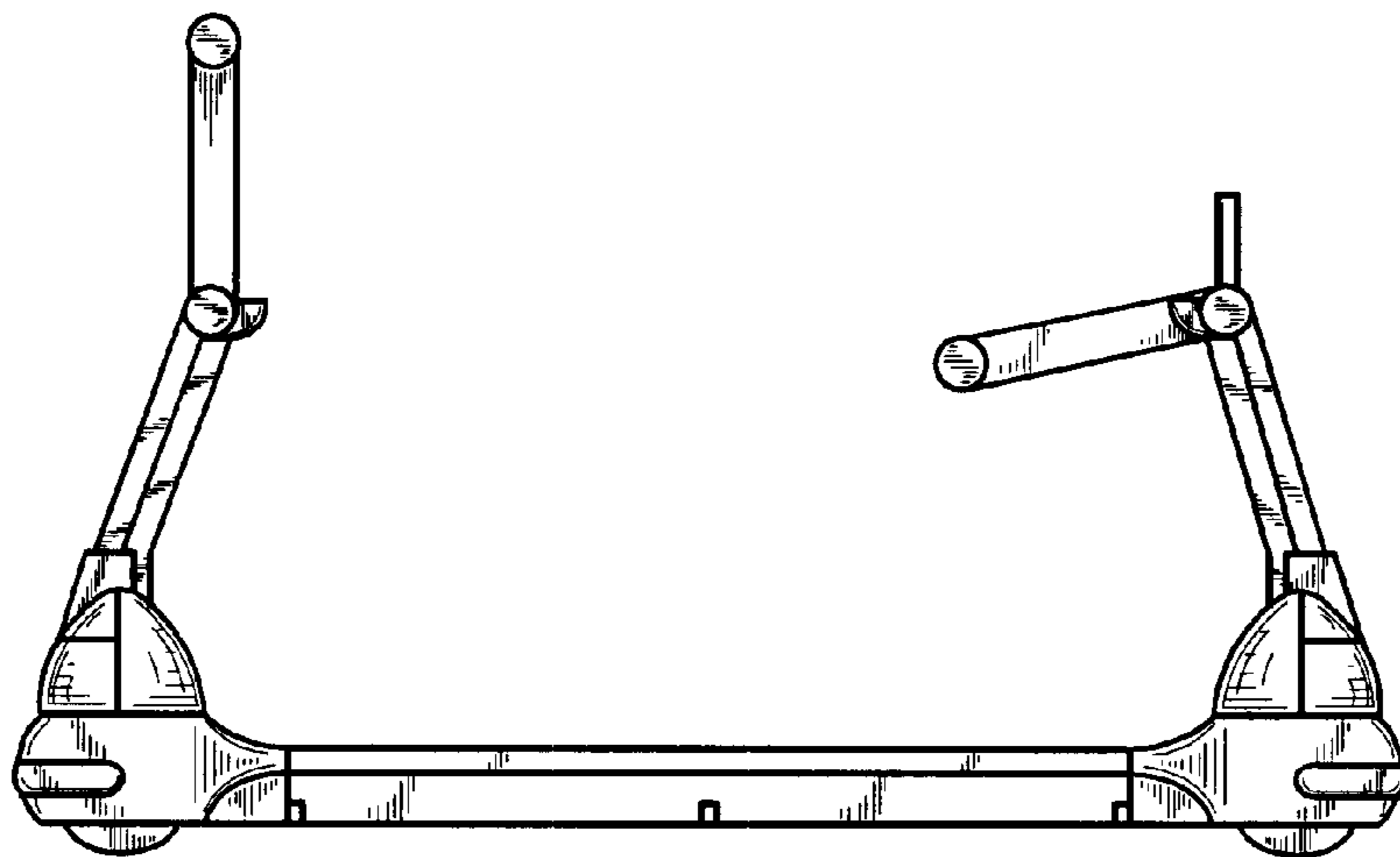


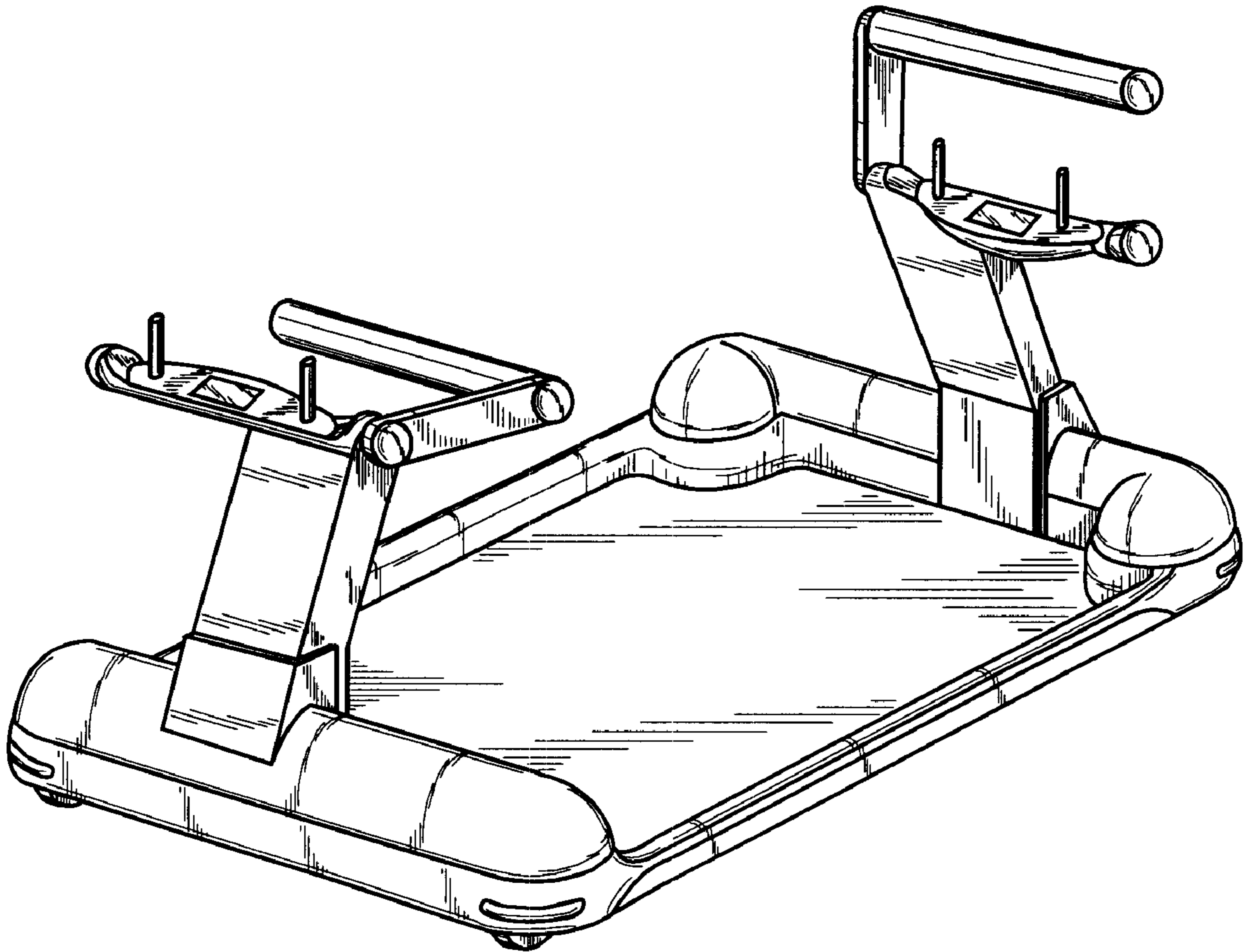
Fig. 5



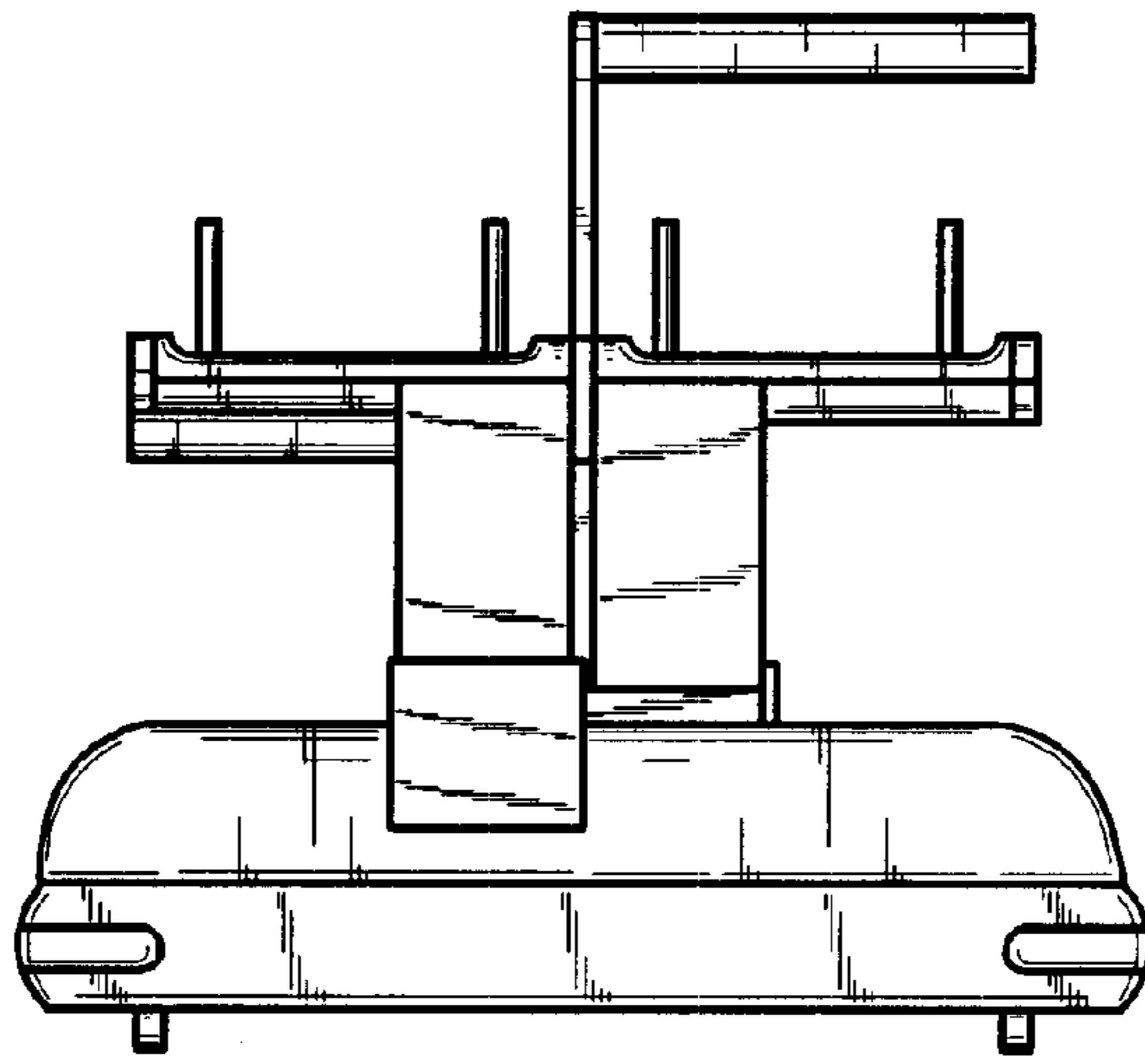
**Fig. 6**



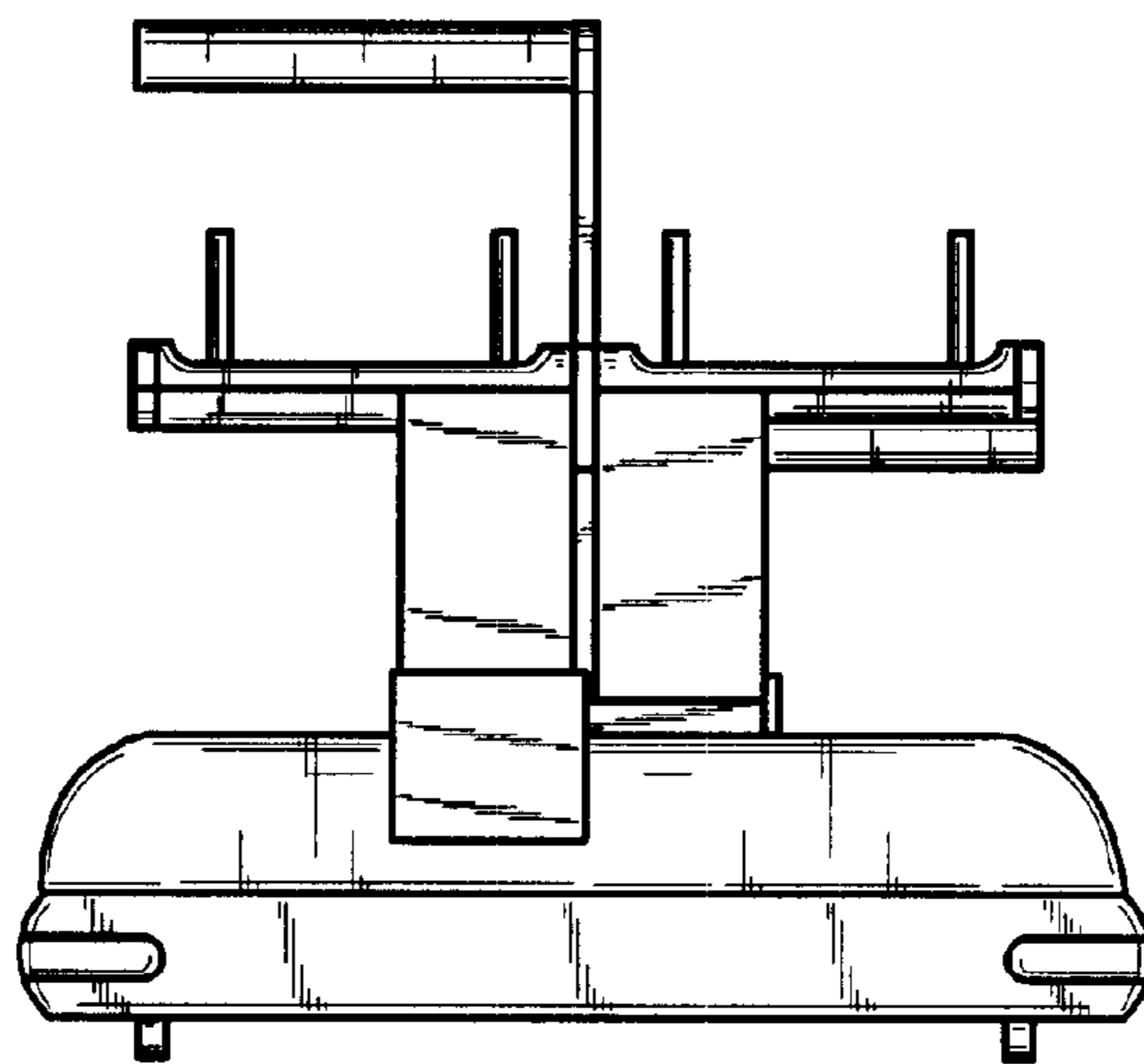
**Fig. 7**



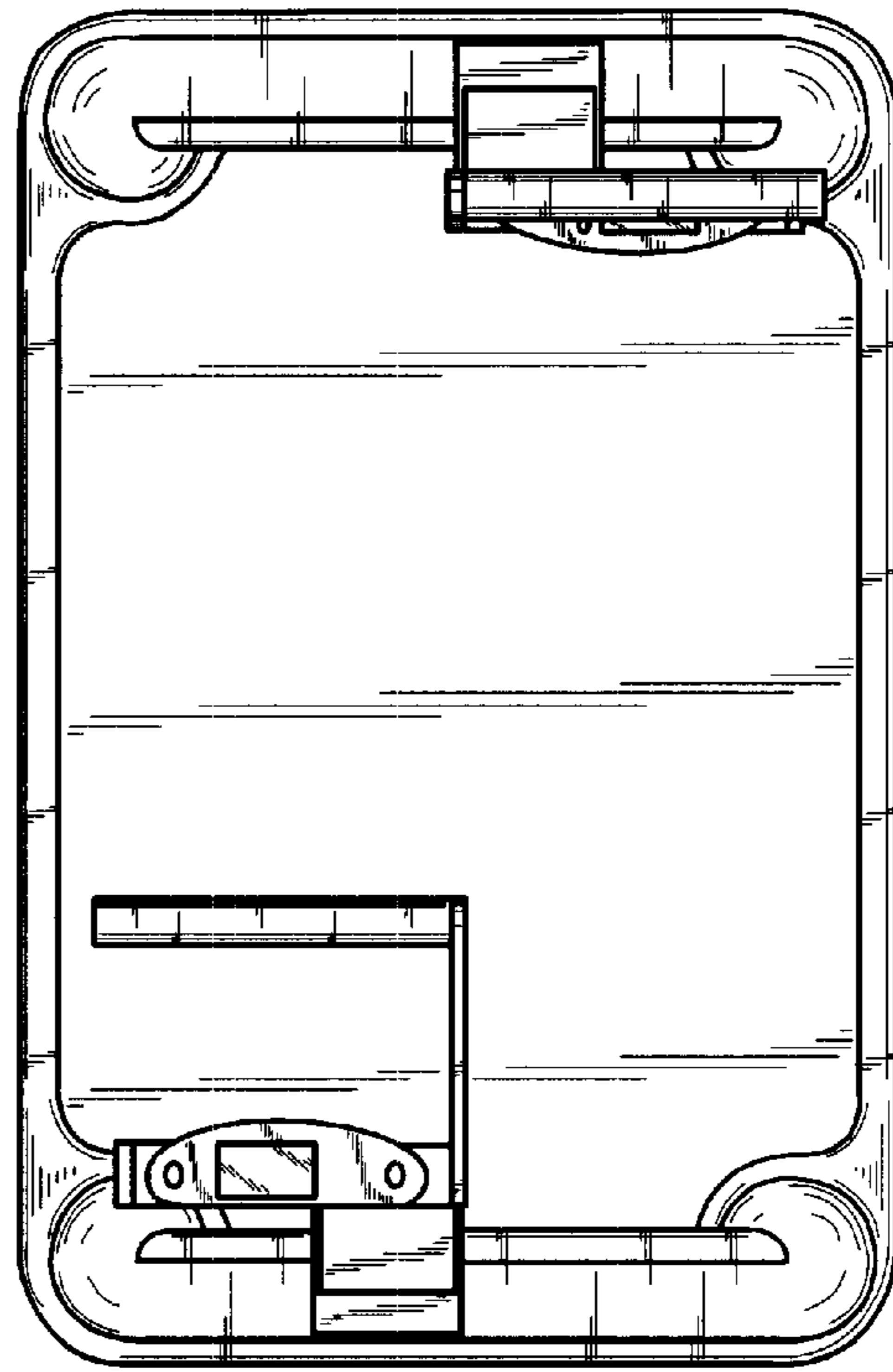
**Fig. 8**



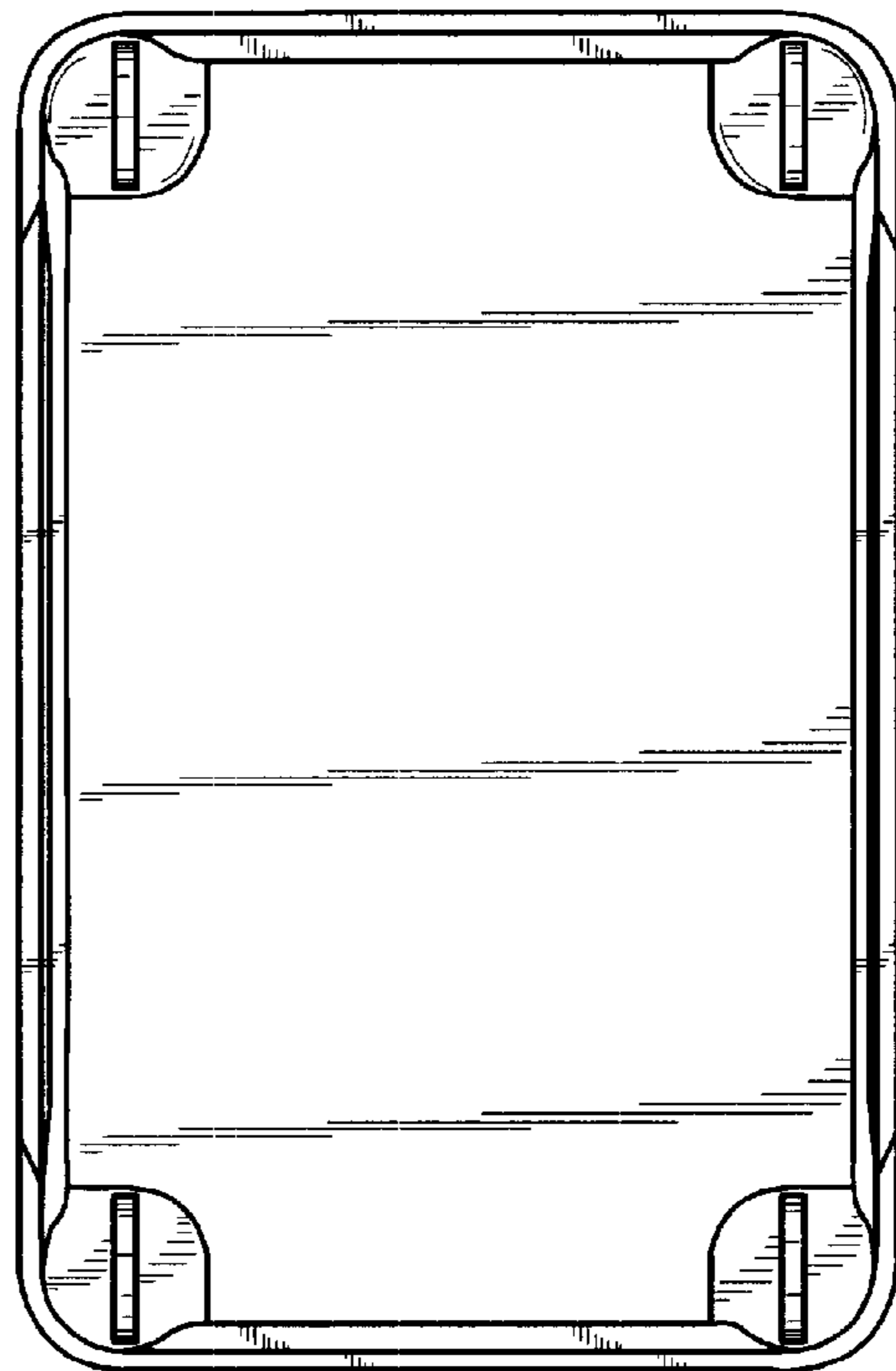
**Fig. 9**



**Fig. 10**

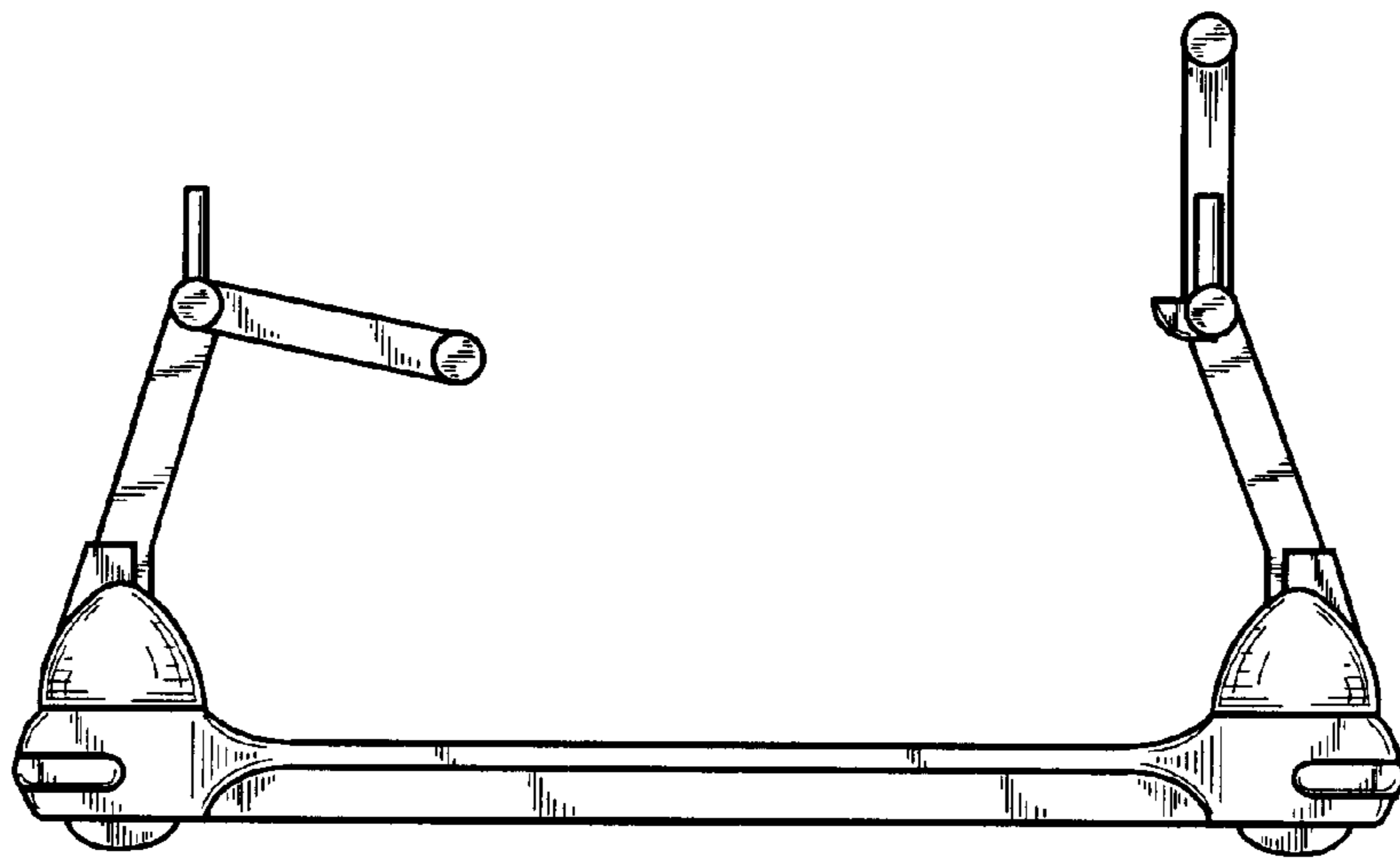


**Fig. 11**

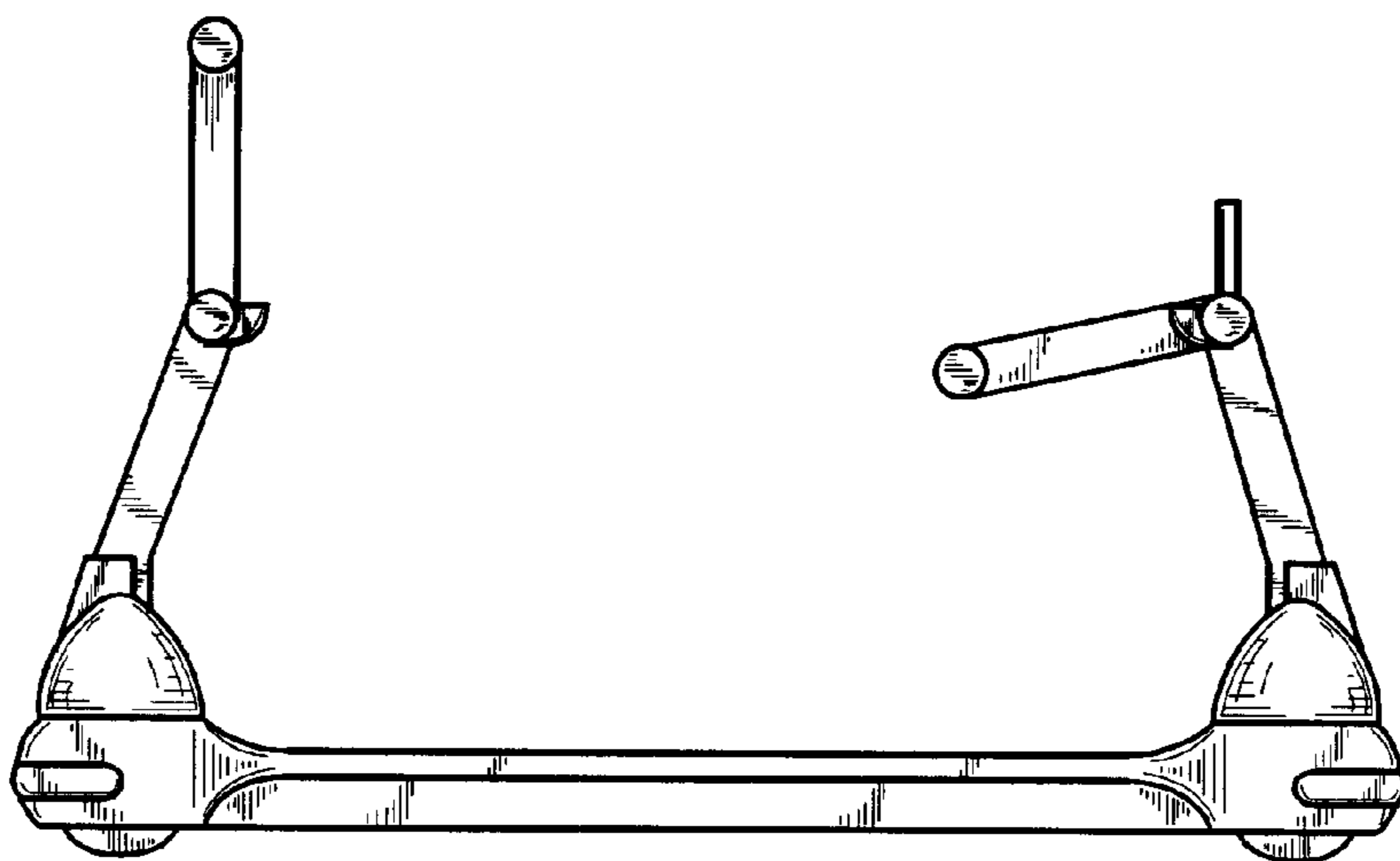


**Fig. 12**





**Fig. 13**



**Fig. 14**