



US00D457998S

(12) **United States Design Patent**
Pestone

(10) **Patent No.:** **US D457,998 S**

(45) **Date of Patent:** **** May 28, 2002**

- (54) **WORKMOVER ROLLER STAND**
- (75) Inventor: **William J. Pestone**, Cohasset, MA (US)
- (73) Assignee: **Lehigh Consumer Products Corporation**, Macungie, PA (US)
- (*) Notice: This patent is subject to a terminal disclaimer.
- (**) Term: **14 Years**
- (21) Appl. No.: **29/131,654**
- (22) Filed: **Oct. 25, 2000**
- (51) **LOC (7) Cl.** **12-05**
- (52) **U.S. Cl.** **D34/28**
- (58) **Field of Search** D34/28, 31, 34; 248/647; 269/55, 296, 17, 59, 77

- 4,564,178 A * 1/1986 Steffe 269/17
- D298,879 S * 12/1988 Corbett D34/31
- 4,899,986 A * 2/1990 Tweedy 254/8 B
- D324,599 S * 3/1992 Bailey D34/31
- 5,261,640 A * 11/1993 Yuan 254/8 B
- D348,340 S * 6/1994 Collins, Jr. et al. D34/31
- 5,667,207 A * 9/1997 Pistole 269/17

* cited by examiner

Primary Examiner—Cynthia E. Ramirez
(74) *Attorney, Agent, or Firm*—Samuels, Gauthier & Stevens

(57) **CLAIM**

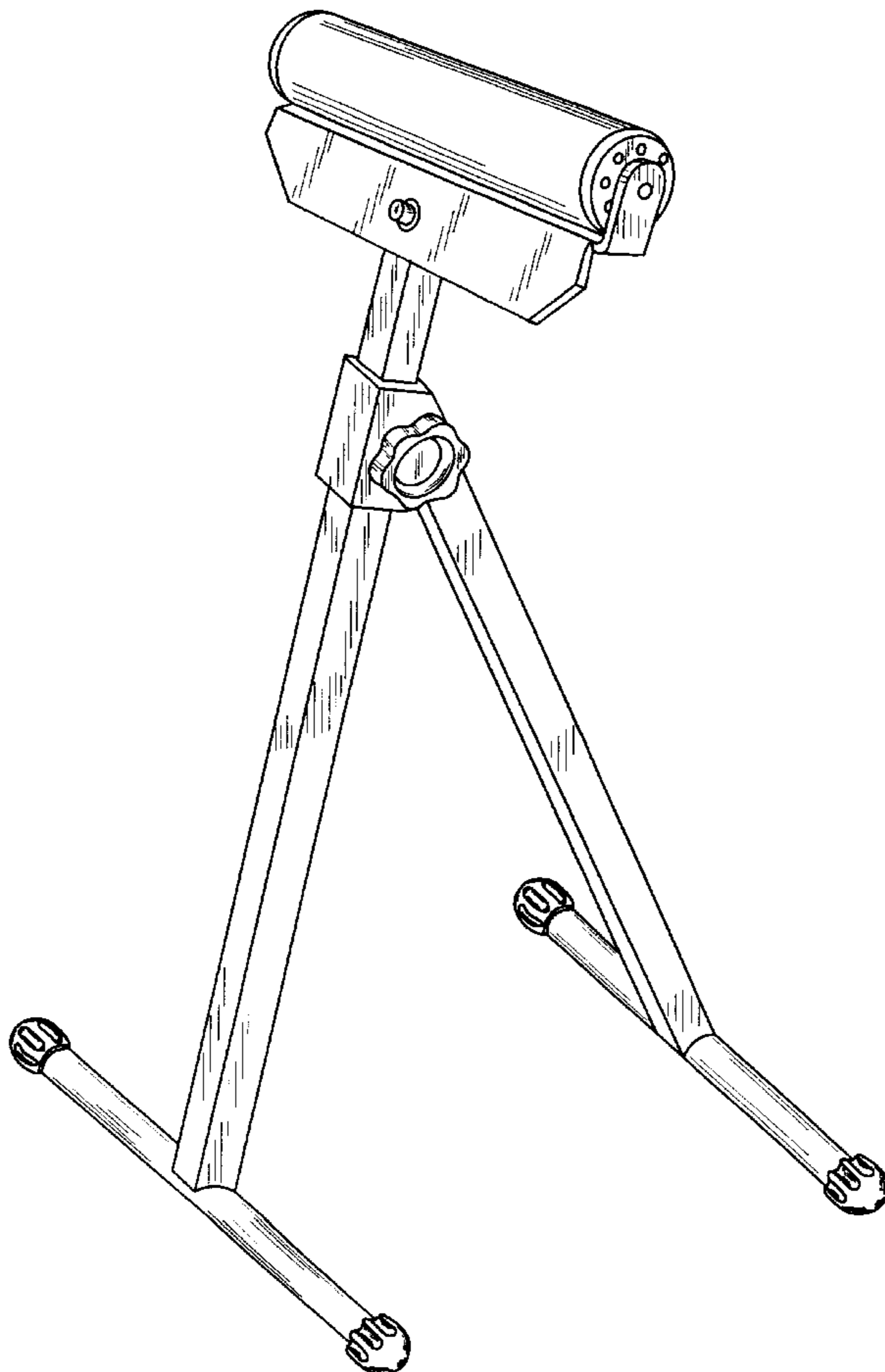
The ornamental design for a workmover roller stand, as shown and described.

DESCRIPTION

FIG. 1 is a perspective view of a workmover roller stand embodying the invention;
FIG. 2 is a front view of FIG. 1;
FIG. 3 is a left side view of FIG. 1;
FIG. 4 is a front view of FIG. 1;
FIG. 5 is a right side view of FIG. 1;
FIG. 6 is a top view of FIG. 1; and,
FIG. 7 is a bottom view of FIG. 1.

1 Claim, 7 Drawing Sheets

- (56) **References Cited**
- U.S. PATENT DOCUMENTS**
- 3,765,667 A * 10/1973 Christiansen 269/59
- D252,808 S * 9/1979 Prater D34/28
- 4,530,492 A * 7/1985 Bork 269/17
- 4,560,151 A * 12/1985 Grundy 269/17



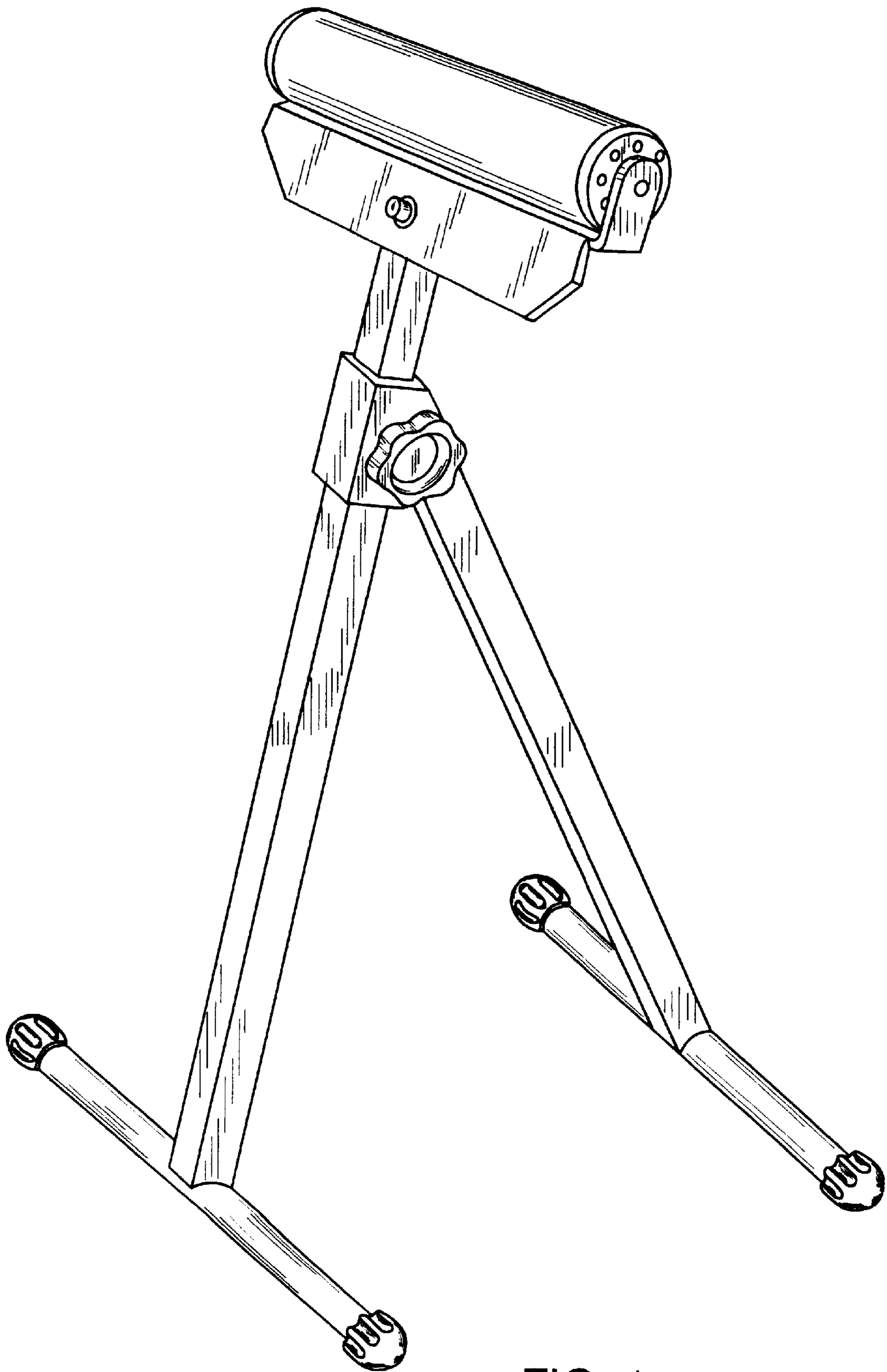


FIG. 1

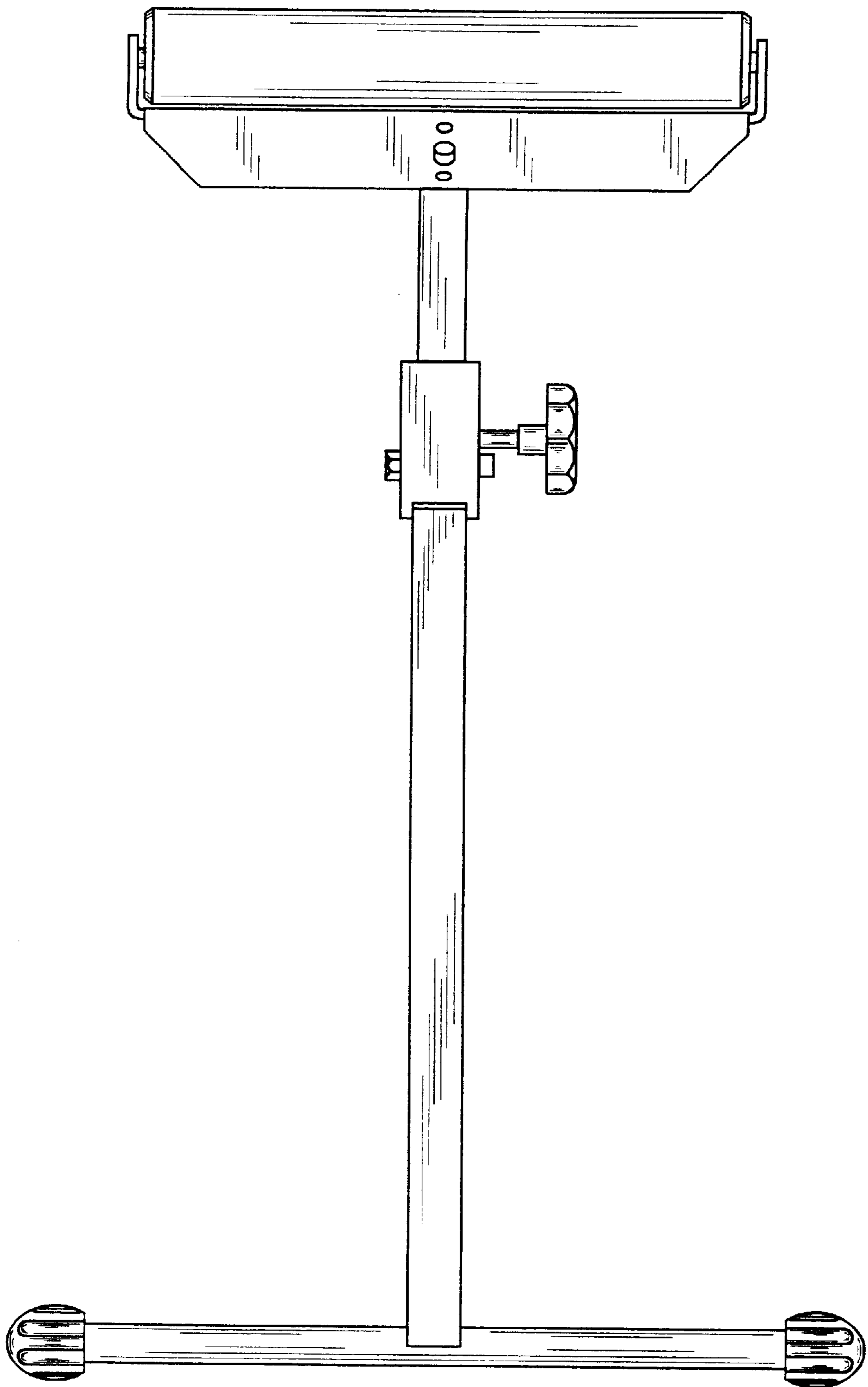


FIG. 2

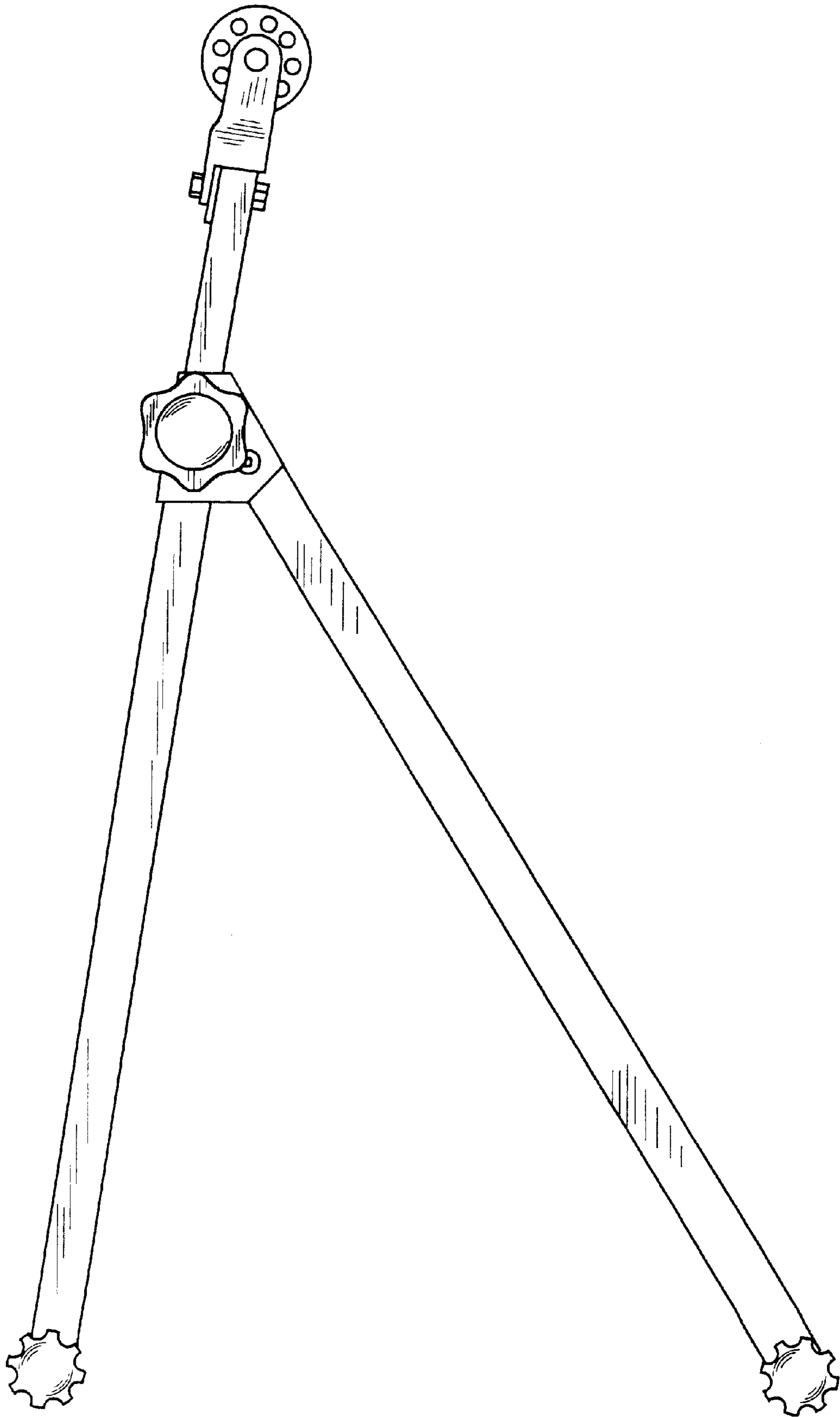


FIG. 3

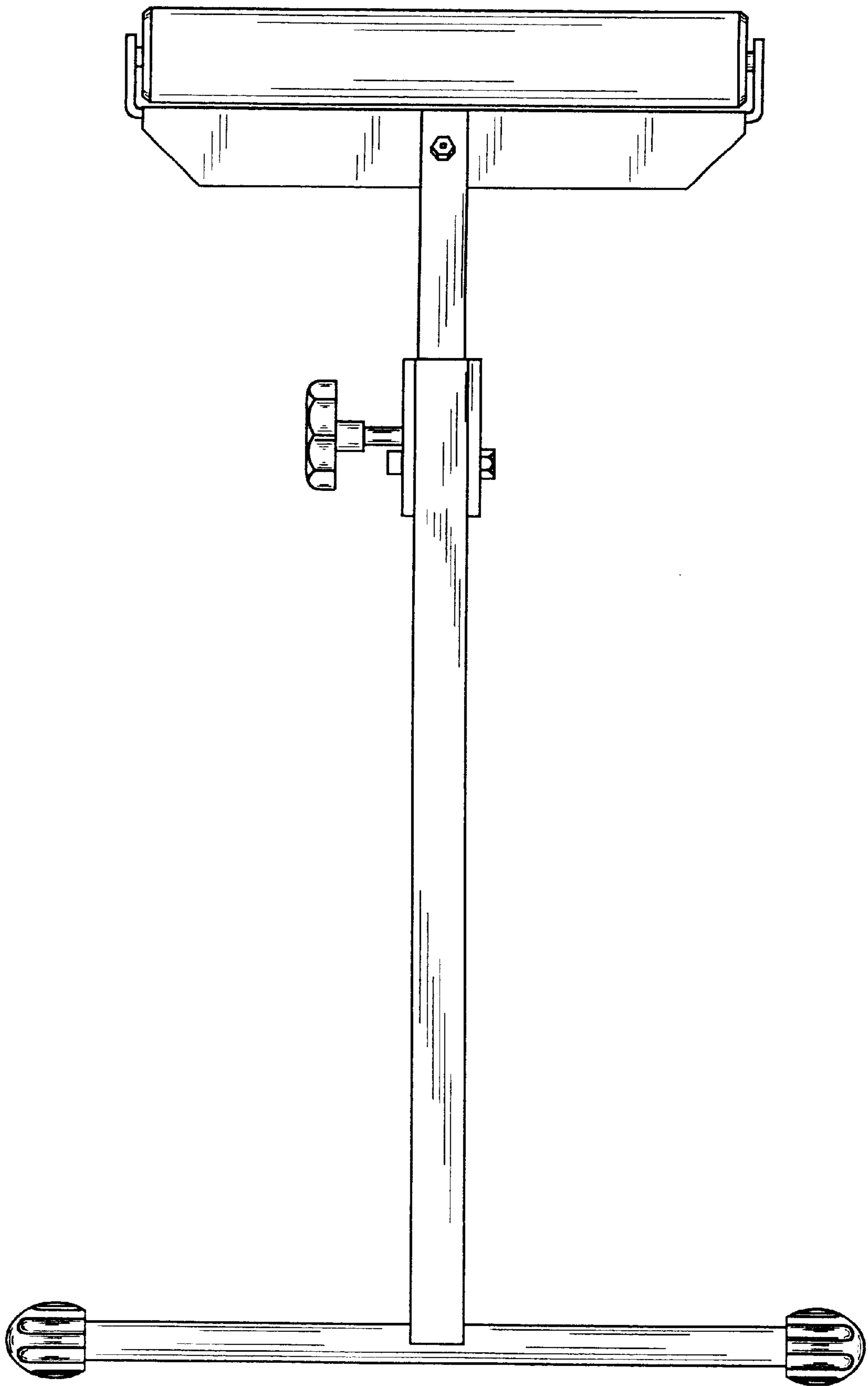


FIG. 4

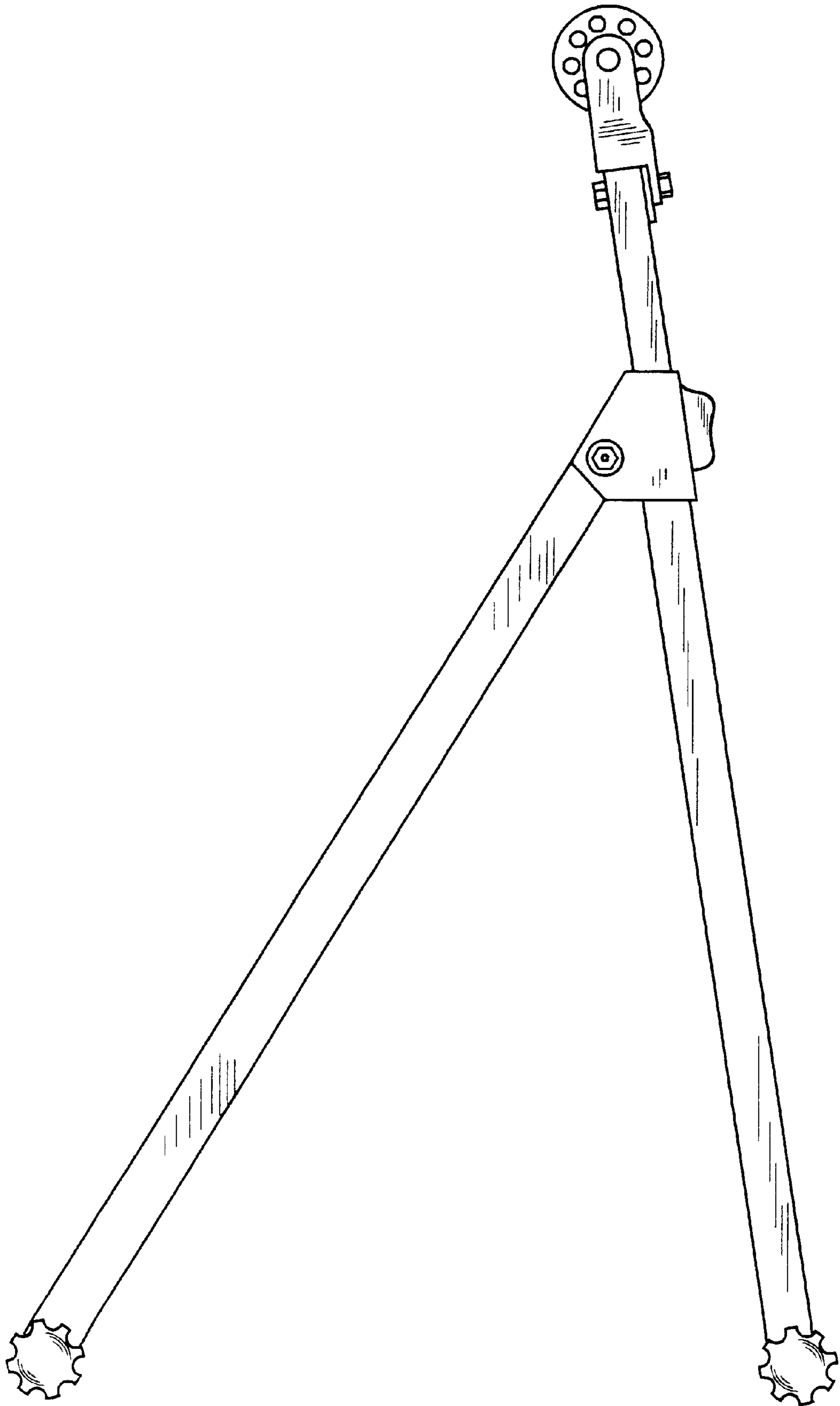


FIG. 5

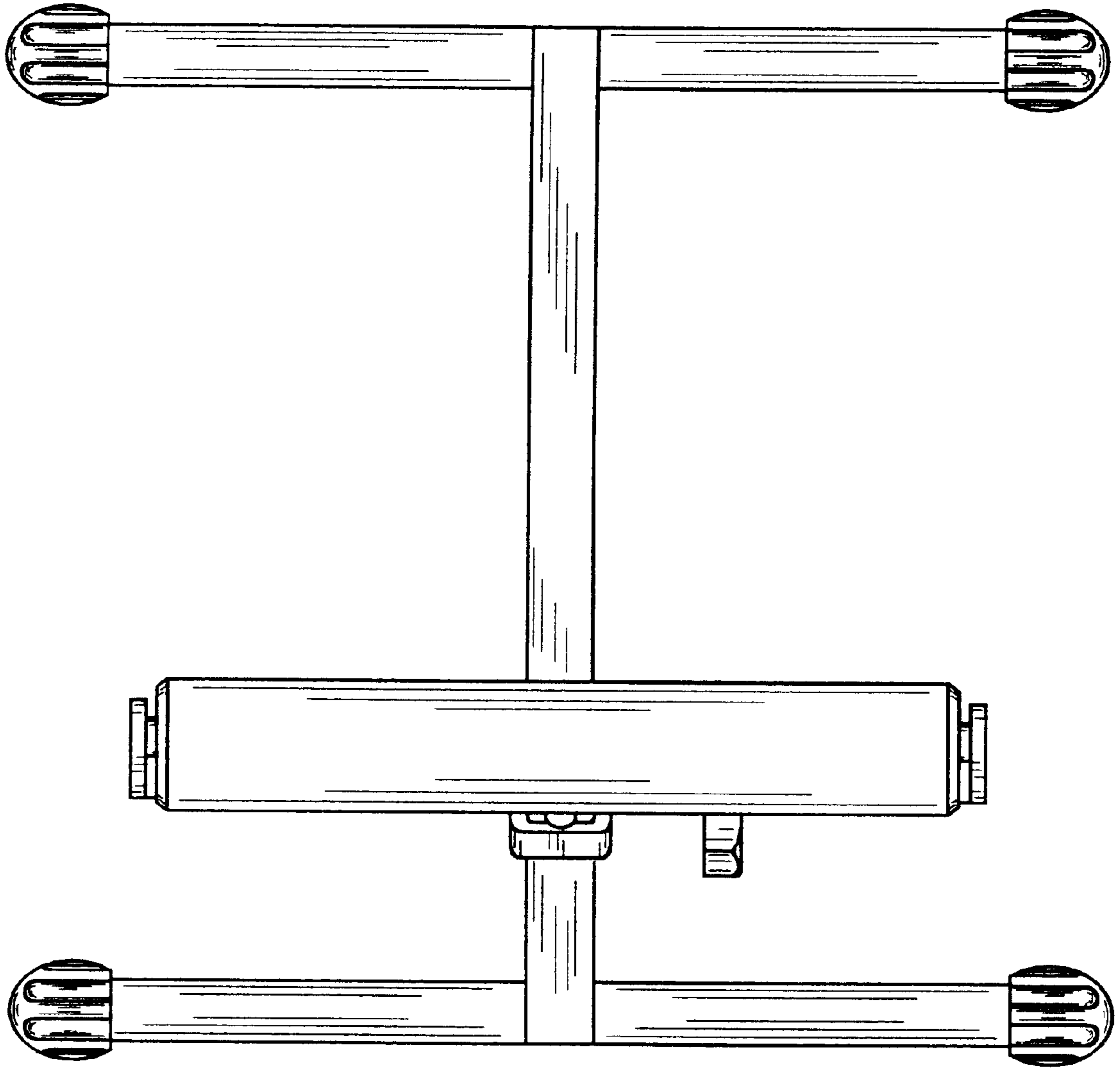


FIG. 6

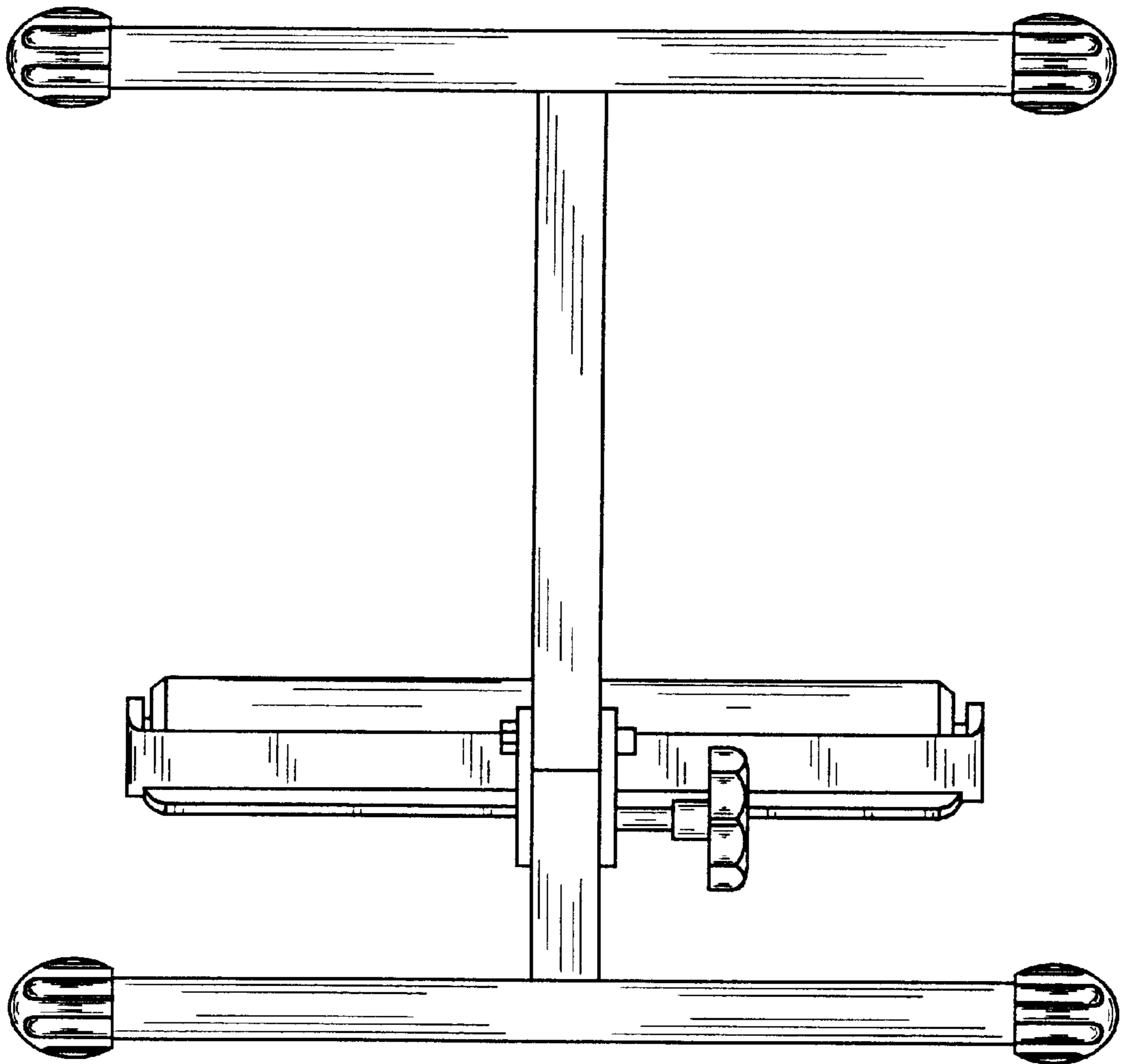


FIG. 7