



US00D457995S

(12) **United States Design Patent**
Clark

(10) **Patent No.:** **US D457,995 S**

(45) **Date of Patent:** **** May 28, 2002**

(54) **PAINT DISPENSER WITH BRUSH WIPE AND REST**

(74) *Attorney, Agent, or Firm*—Harry I. Leon

(76) **Inventor:** **Henry R. Clark**, 228 Timber La.,
Stockbridge, GA (US) 30281

(57) **CLAIM**

The ornamental design for a paint dispenser with brush wipe and rest, as shown and described.

(**) **Term:** **14 Years**

DESCRIPTION

(21) **Appl. No.:** **29/144,405**

FIG. 1 is a top, right side perspective view of a paint dispenser showing the design, the broken line disclosure of a person's hands holding the dispenser and a brush so as to wipe it across the cross corner of step are being shown for illustration purposes only and forming no part of the claimed design;

(22) **Filed:** **Jul. 3, 2001**

(51) **LOC (7) Cl.** **07-07**

(52) **U.S. Cl.** **D32/53.1**

(58) **Field of Search** D32/53, 53.1;
15/257.05, 257.06; 220/555, 570, 695, 697,
771

FIG. 2 is a top, right side perspective view of the paint dispenser according to FIG. 1;

FIG. 3 is a top plan view of the paint dispenser;

FIG. 4 is a bottom plan view of the paint dispenser;

FIG. 5 is a front elevational view of the paint dispenser;

FIG. 6 is a rear elevational view of the paint dispensers;

FIG. 7 is a right side perspective view of the paint dispenser;

FIG. 8 is a left side perspective view of the paint dispenser;

and,

FIG. 9 is a cross sectional view of the paint dispenser along line 9—9 of FIG. 3.

(56) **References Cited**

U.S. PATENT DOCUMENTS

4,164,299 A * 8/1979 Fuhr 15/257.06

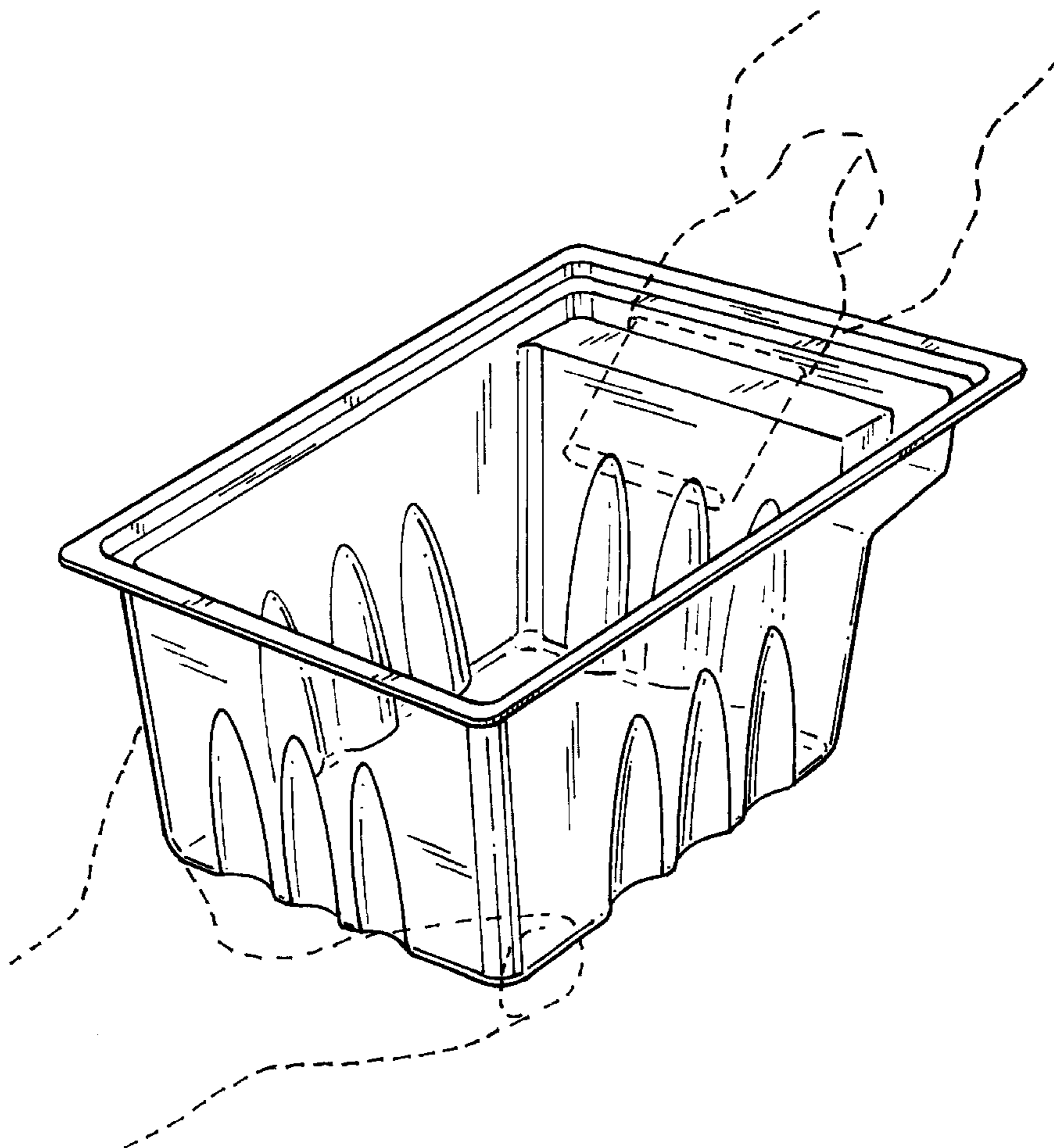
D401,704 S * 11/1998 Clark D32/53.1

D448,130 S * 9/2001 Wagner D32/53.1

* cited by examiner

Primary Examiner—Jennifer Rivard

1 Claim, 3 Drawing Sheets



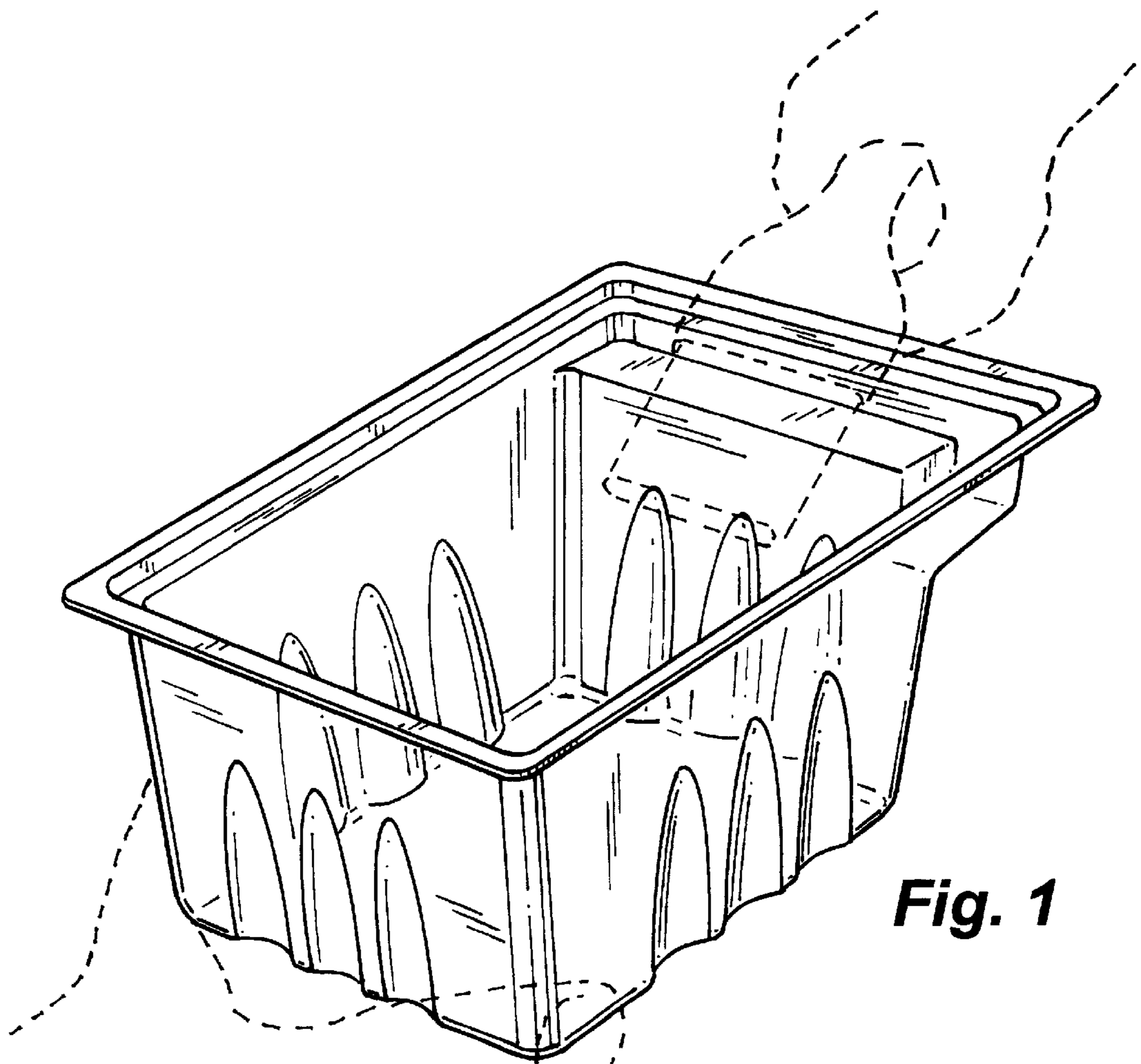


Fig. 1

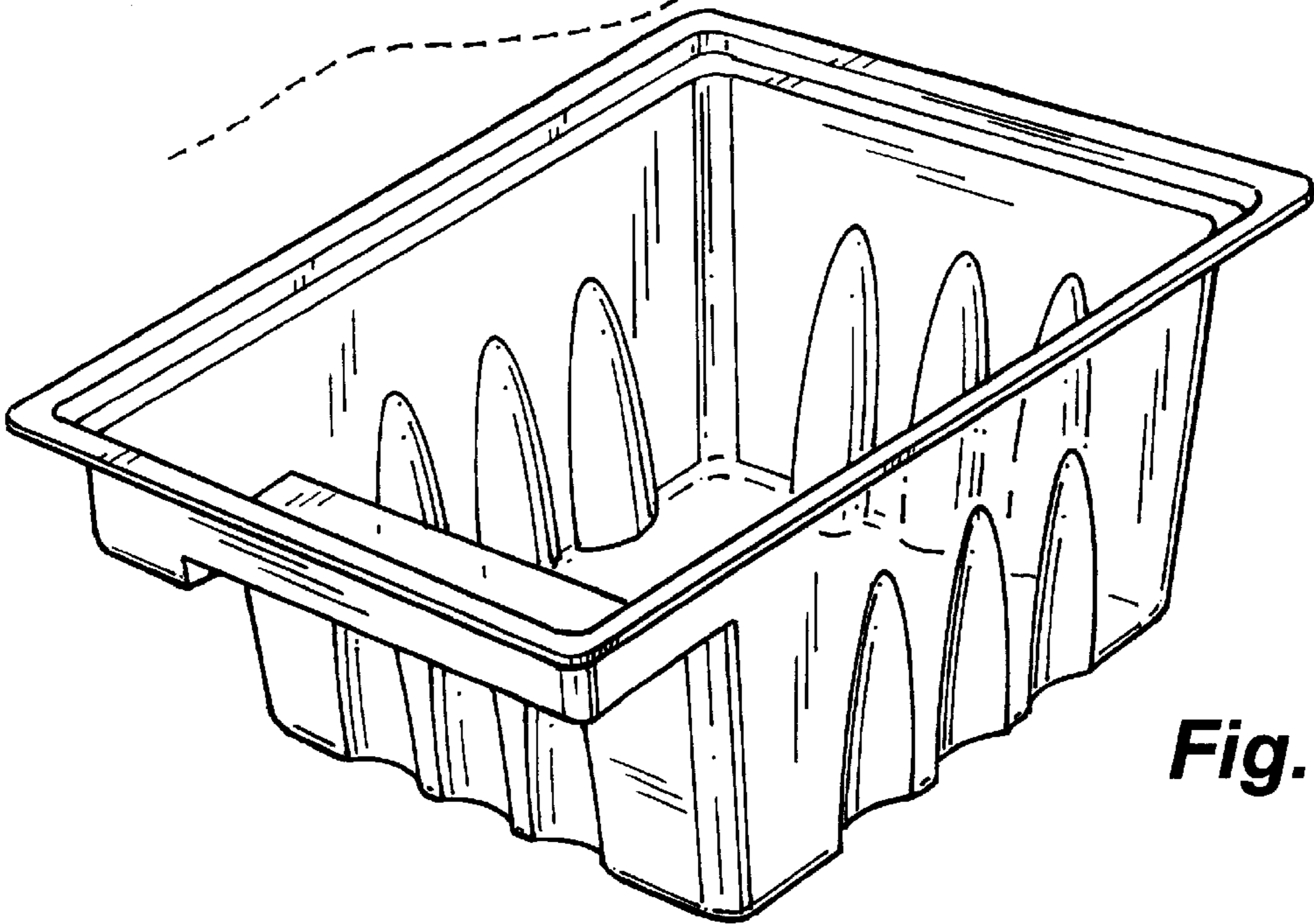


Fig. 2

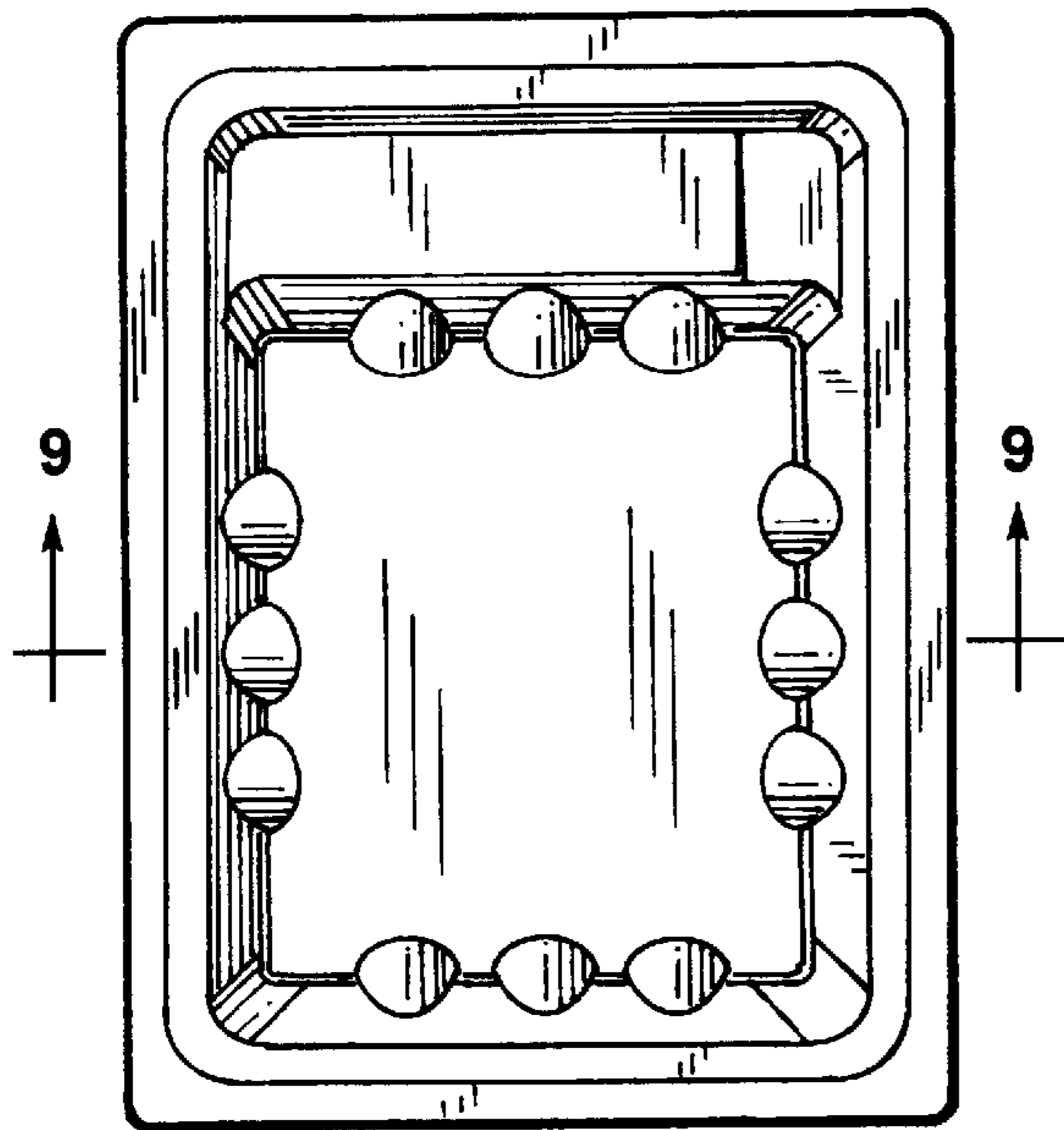


Fig. 3

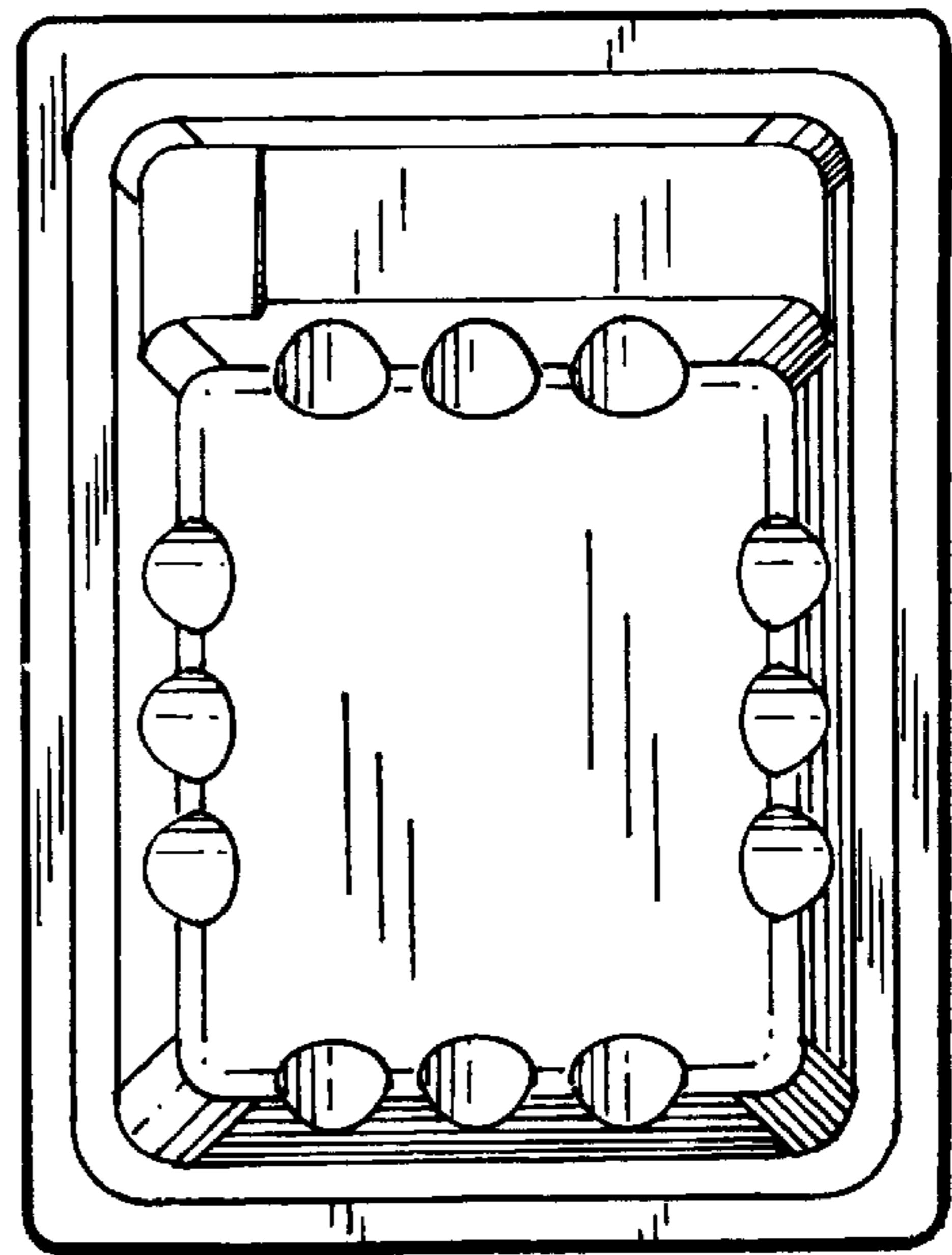


Fig. 4

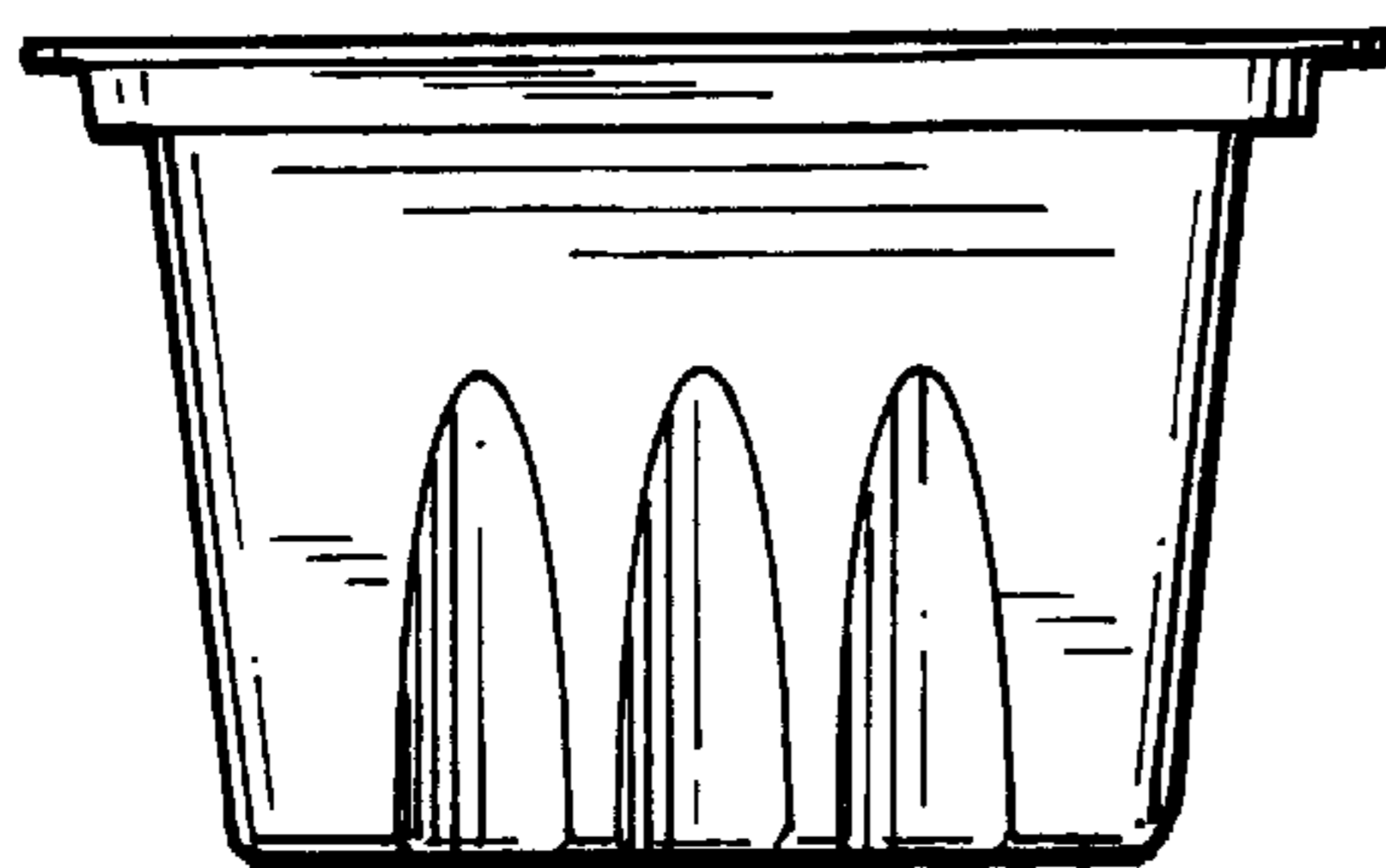


Fig. 5

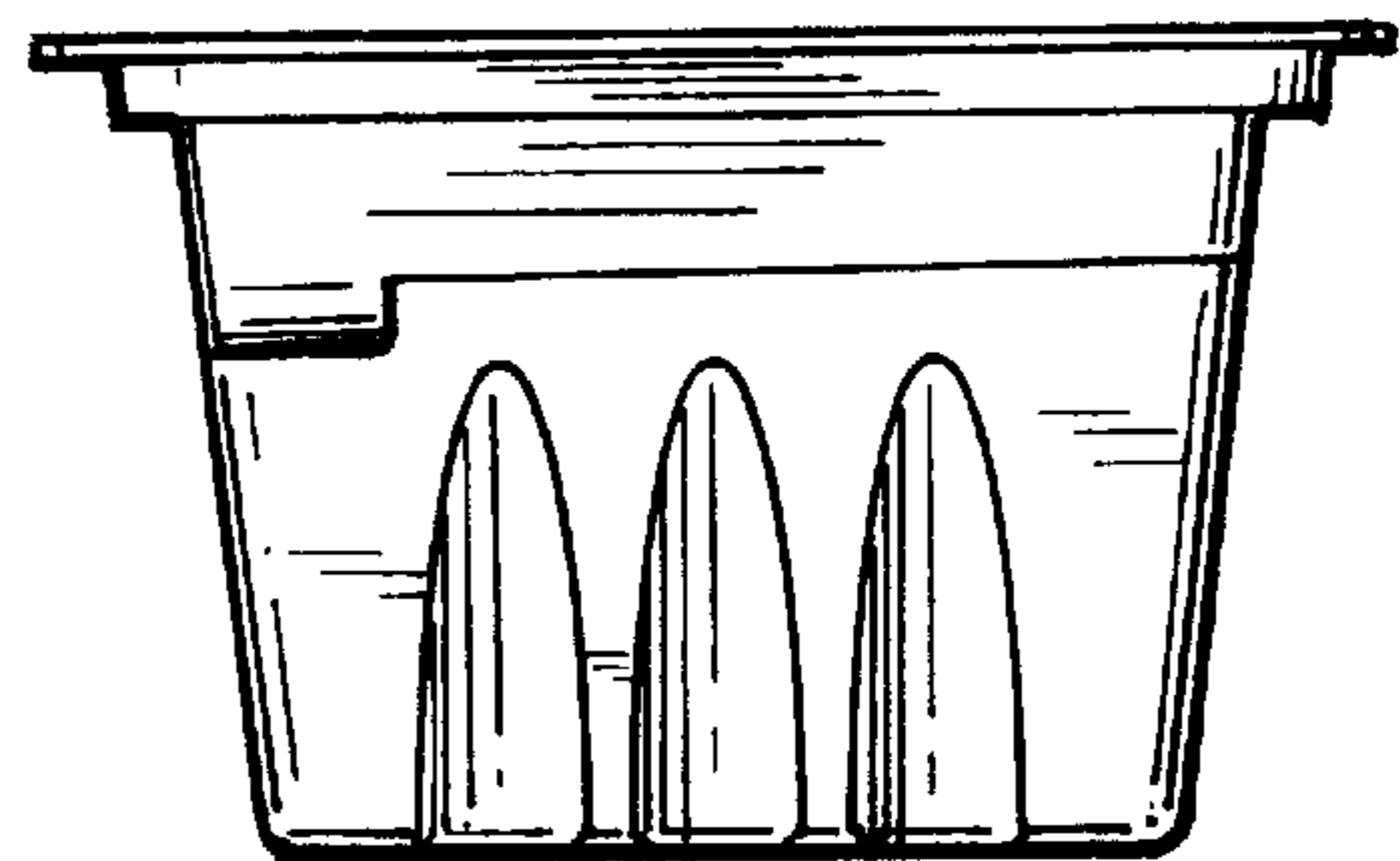


Fig. 6

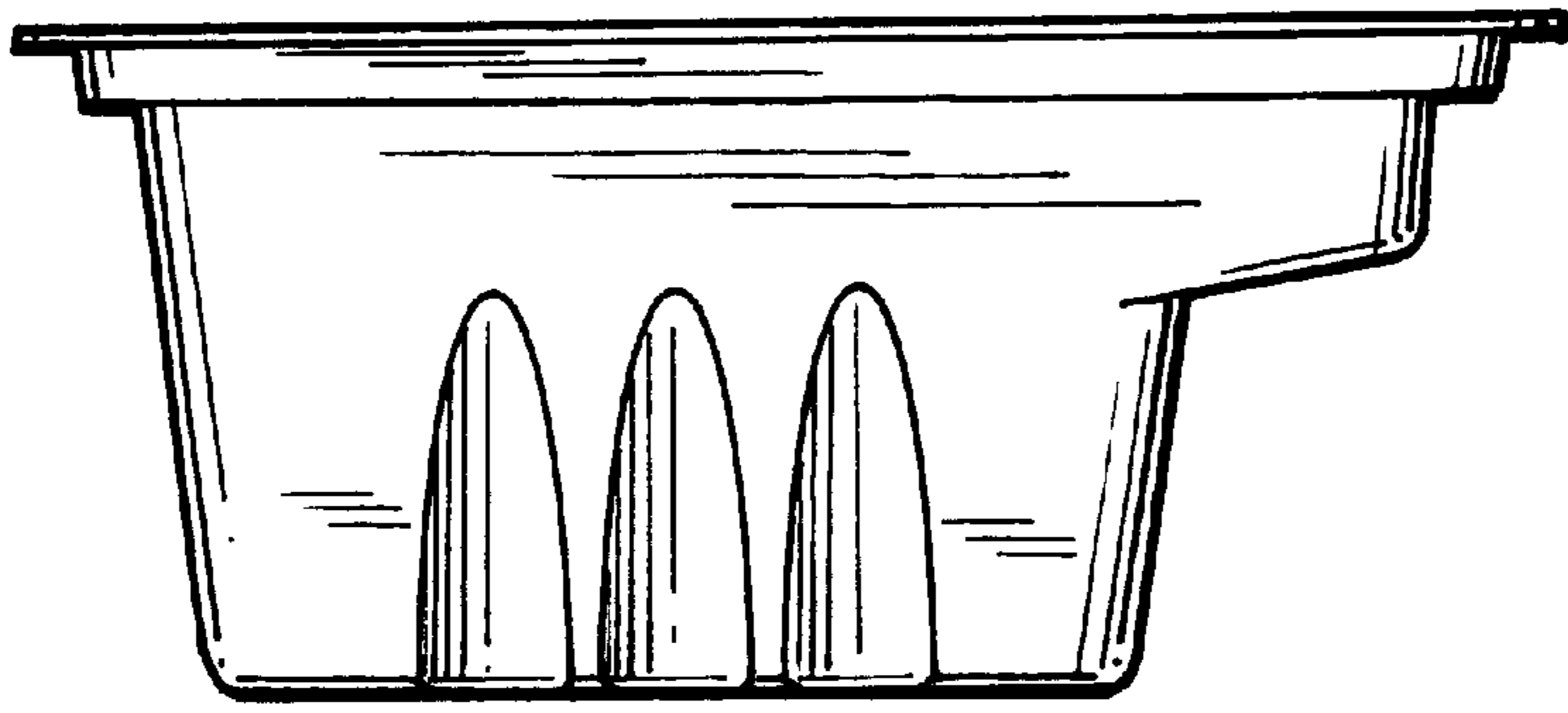


Fig. 7

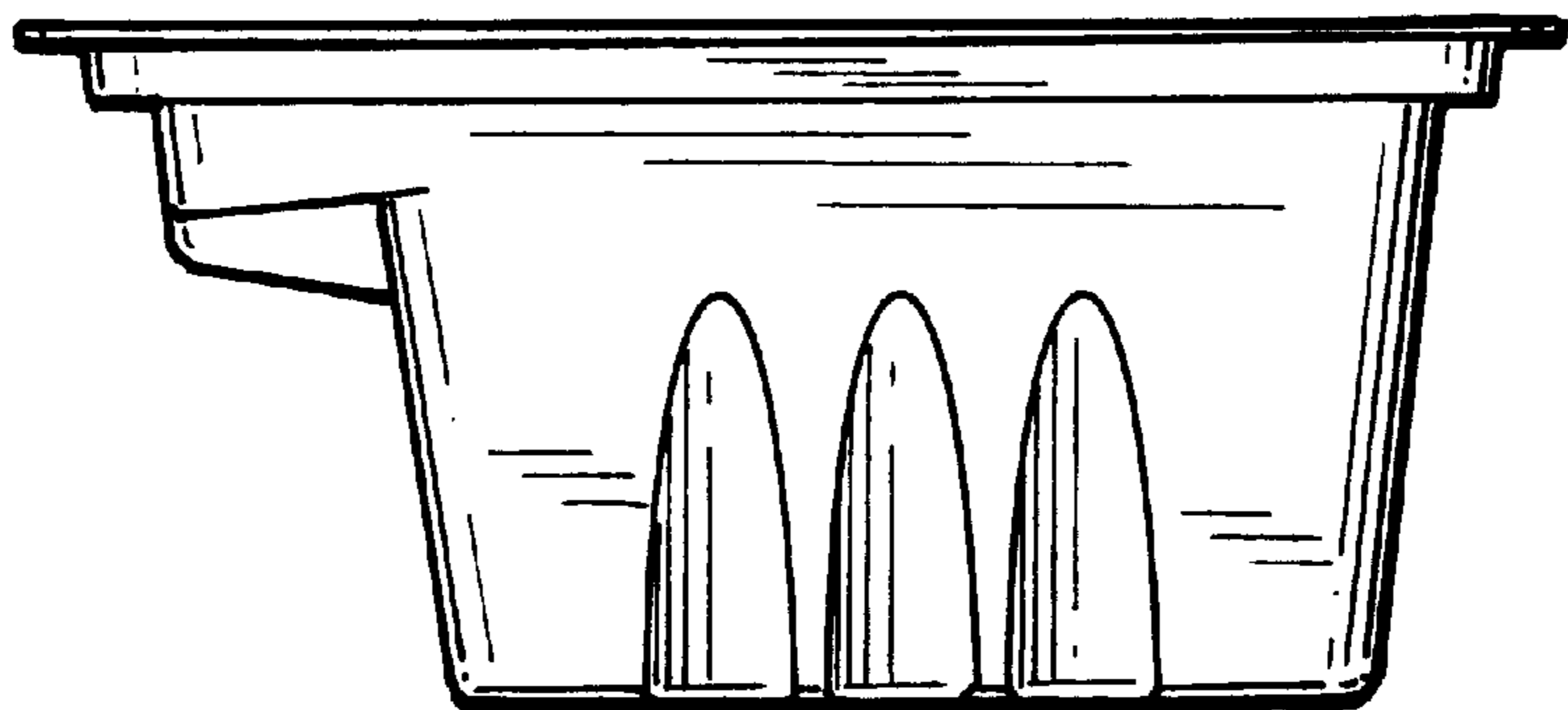


Fig. 8

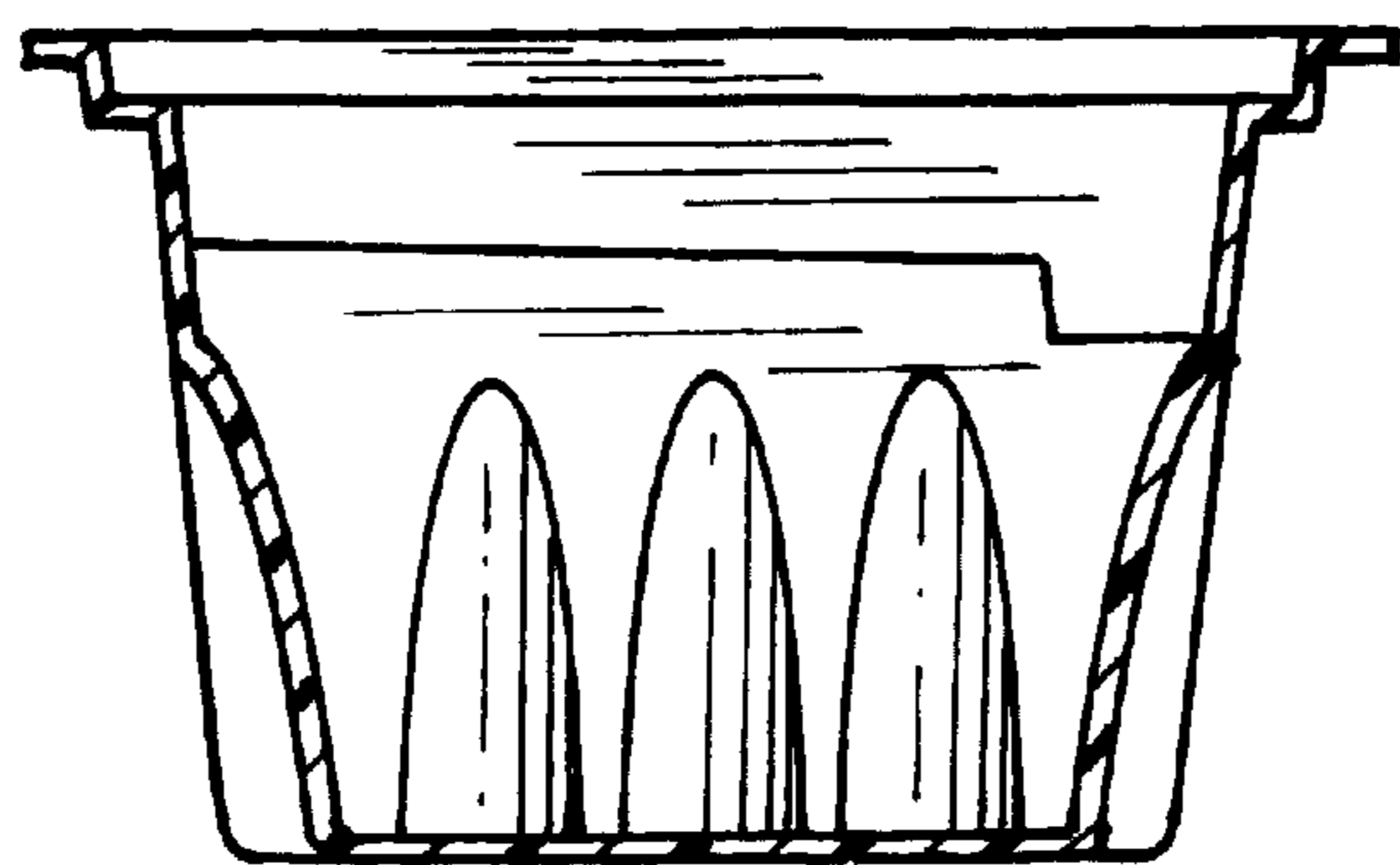


Fig. 9